



US00D865116S

(12) **United States Design Patent**
Stirling et al.

(10) **Patent No.:** **US D865,116 S**

(45) **Date of Patent:** **** Oct. 29, 2019**

(54) **LAUNCH HEAD FOR A NET LAUNCHING DEVICE**

(71) Applicant: **Airspace Systems Inc.**, San Leandro, CA (US)

(72) Inventors: **Earl R. Stirling**, Berkeley, CA (US); **Jasminder S. Banga**, San Francisco, CA (US); **Noah U. Moore**, San Leandro, CA (US); **Tyler T. Valiquette**, Emeryville, CA (US); **Peter Scheidl**, San Francisco, CA (US); **David Adams**, San Leandro, CA (US); **Christopher Liu**, Martinez, CA (US); **Kevin La**, San Francisco, CA (US); **Robert Martin Johnston**, Oakland, CA (US); **Cameron Teranchi**, San Leandro, CA (US)

(73) Assignee: **Airspace Systems, Inc.**, San Leandro, CA (US)

(**) Term: **15 Years**

(21) Appl. No.: **29/643,684**

(22) Filed: **Apr. 10, 2018**

(51) **LOC (12) Cl.** **22-04**

(52) **U.S. Cl.**
USPC **D22/113**

(58) **Field of Classification Search**
USPC D22/100–111, 115–116, 119–120, 199,
D22/113; D21/300, 301, 573–575
(Continued)

(56) **References Cited**

U.S. PATENT DOCUMENTS

D114,548 S * 5/1939 Linney D21/574
D154,516 S * 7/1949 Shelton 446/473
(Continued)

OTHER PUBLICATIONS

“Dropotec to expand market for Dropster counter—UAS hand gun”
[online]. unmannedairspace.info. [Published on Nov. 24, 2017].

Retrieved from the Internet: <https://www.unmannedairspace.info/counter-uas-systems-and-policies/droptec-expand-market-dropster-counter-uas-hand-gun/>.*

(Continued)

Primary Examiner — Khawaja Anwar

Assistant Examiner — Mojtaba Tehrani

(74) *Attorney, Agent, or Firm* — Van Pelt, Yi & James LLP

(57) **CLAIM**

The ornamental design for a launch head for a net launching device, as shown and described.

DESCRIPTION

FIG. 1 is a bottom perspective view of the first embodiment of a launch head for a net launching device, showing our new design;

FIG. 2 is a front side elevation view thereof;

FIG. 3 is a rear side elevation view thereof;

FIG. 4 is a left side elevation view thereof;

FIG. 5 is a right side elevation view thereof;

FIG. 6 is a top plan view thereof;

FIG. 7 is a bottom plan view thereof;

FIG. 8 is a bottom perspective view of the second embodiment of a launch head for a net launching device, showing our new design;

FIG. 9 is a front side elevation view thereof;

FIG. 10 is a rear side elevation view thereof;

FIG. 11 is a left side elevation view thereof;

FIG. 12 is a right side elevation view thereof;

FIG. 13 is a bottom perspective view of the second embodiment of a launch head for a net launching device, showing our new design;

FIG. 14 is a front side elevation view thereof;

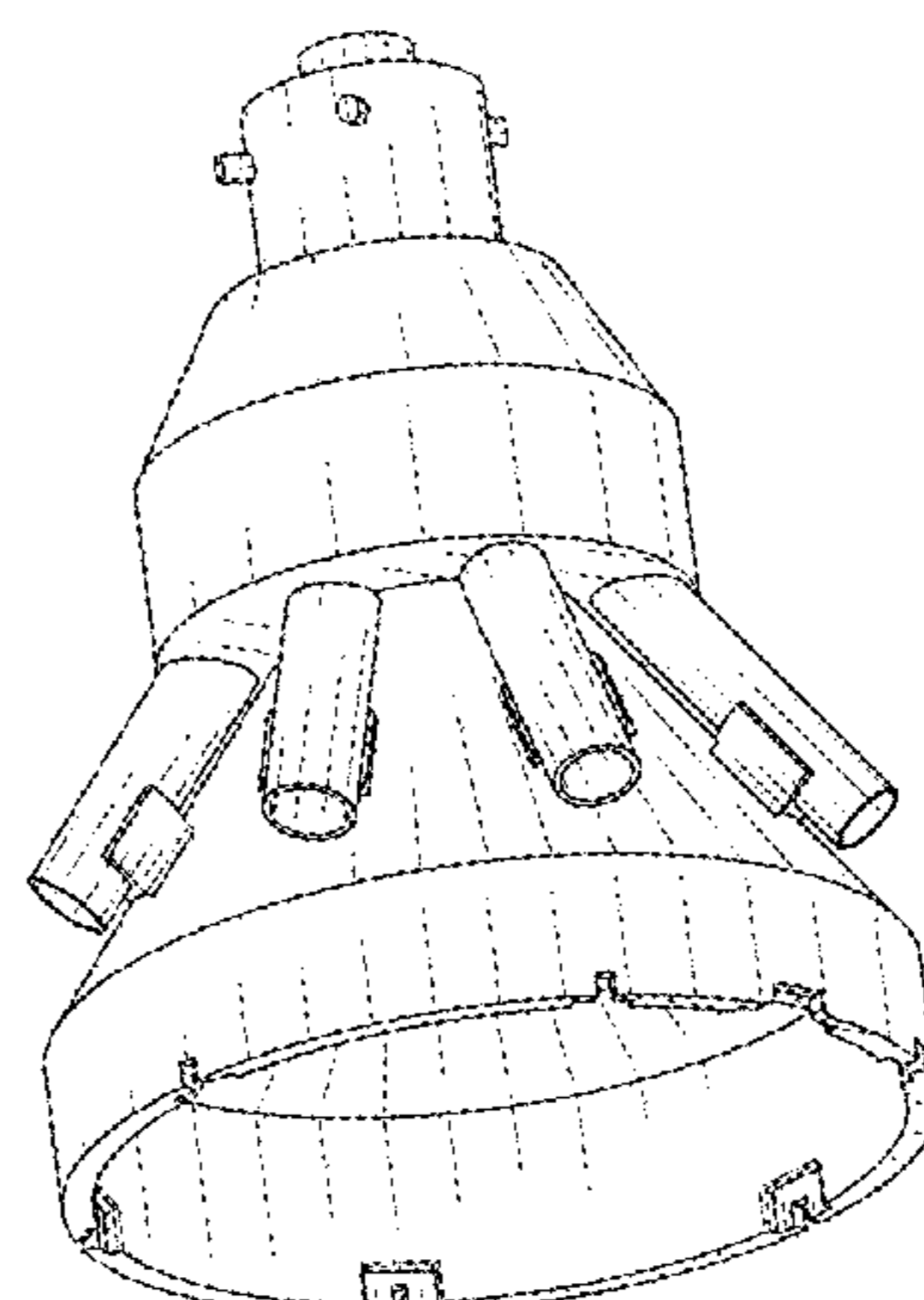
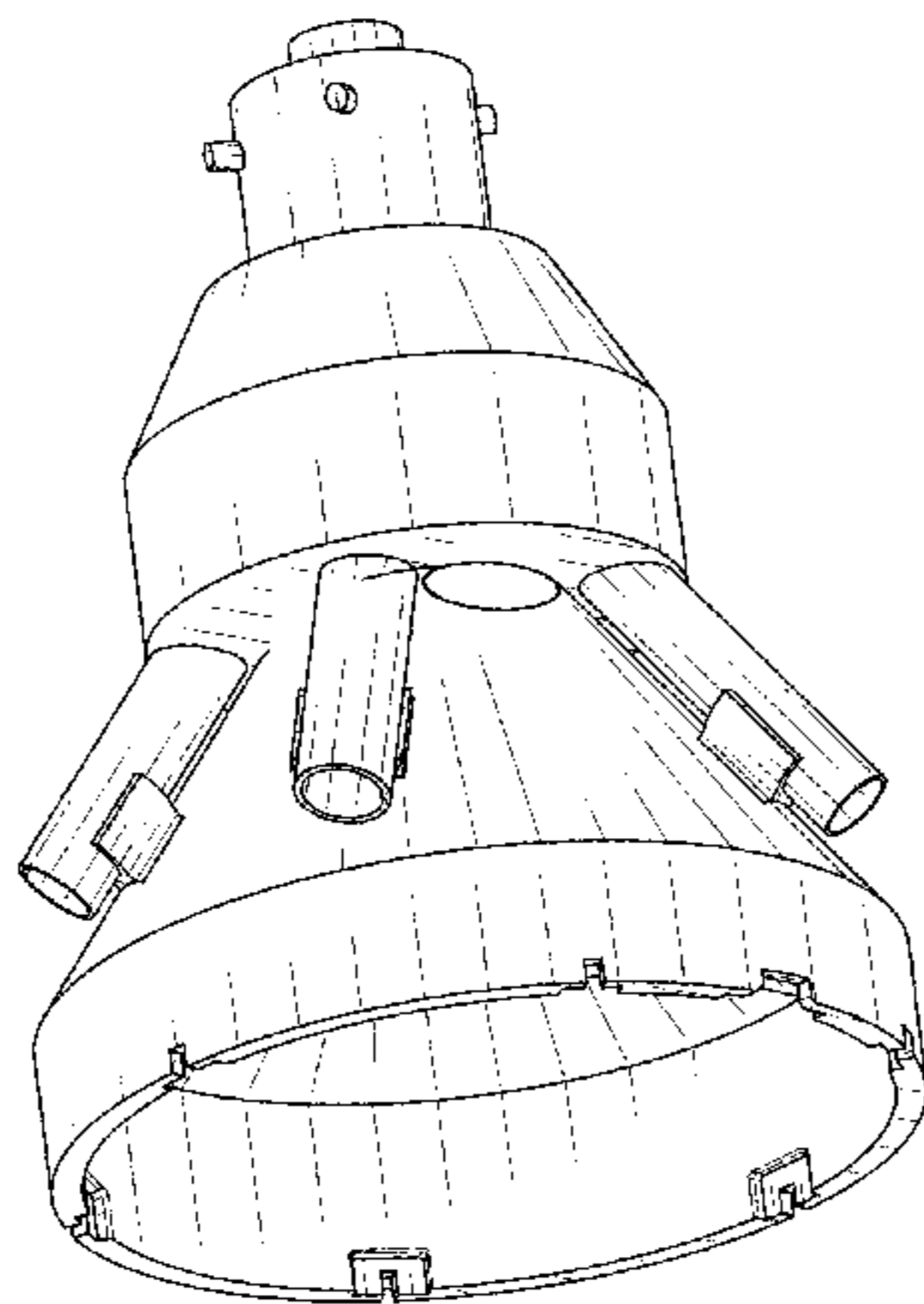
FIG. 15 is a rear side elevation view thereof;

FIG. 16 is a left side elevation view thereof; and,

FIG. 17 is a right side elevation view thereof.

The broken line in the drawings depicts unclaimed portion of the launch head only and forms no part of the claimed design.

1 Claim, 10 Drawing Sheets



(58) **Field of Classification Search**

CPC . F41G 1/02; F41G 1/027; F41G 1/033; F41G
1/06; F41G 3/26; F41C 23/10; F41C
23/16; F41J 1/00

See application file for complete search history.

(56) **References Cited**

U.S. PATENT DOCUMENTS

3,919,799 A * 11/1975 Austin, Jr. F41C 27/06
42/105
D274,544 S * 7/1984 Proctor D23/366
D281,895 S * 12/1985 McLain 89/14.3
D309,759 S * 8/1990 Mak D21/401
D334,968 S * 4/1993 Gladfelter D23/207
D355,240 S * 2/1995 Gladfelter D23/207
D420,589 S * 2/2000 Baxter D9/439
6,578,462 B1 * 6/2003 Franchino F41A 21/36
89/14.2
D487,293 S * 3/2004 Zulloff D21/574
D827,756 S * 9/2018 Schlangen D22/107
2017/0307333 A1 * 10/2017 Northrup F41A 33/00

OTHER PUBLICATIONS

“Shoulder-mounted SkyWall launcher takes aim at illegal drones”
[online]. Nick Lavars. [Published on Mar. 6, 2016]. Retrieved from
the Internet: [https://newatlas.com/shoulder-mounted-skywall-cannon/
42181/](https://newatlas.com/shoulder-mounted-skywall-cannon/42181/).*

“Bug Net Launcher”. [online]. Robert Birming. [Published on Feb.
4, 2008]. Retrieved from the Internet: [https://www.geekalerts.com/
bug-net-launcher/](https://www.geekalerts.com/bug-net-launcher/).*

* cited by examiner

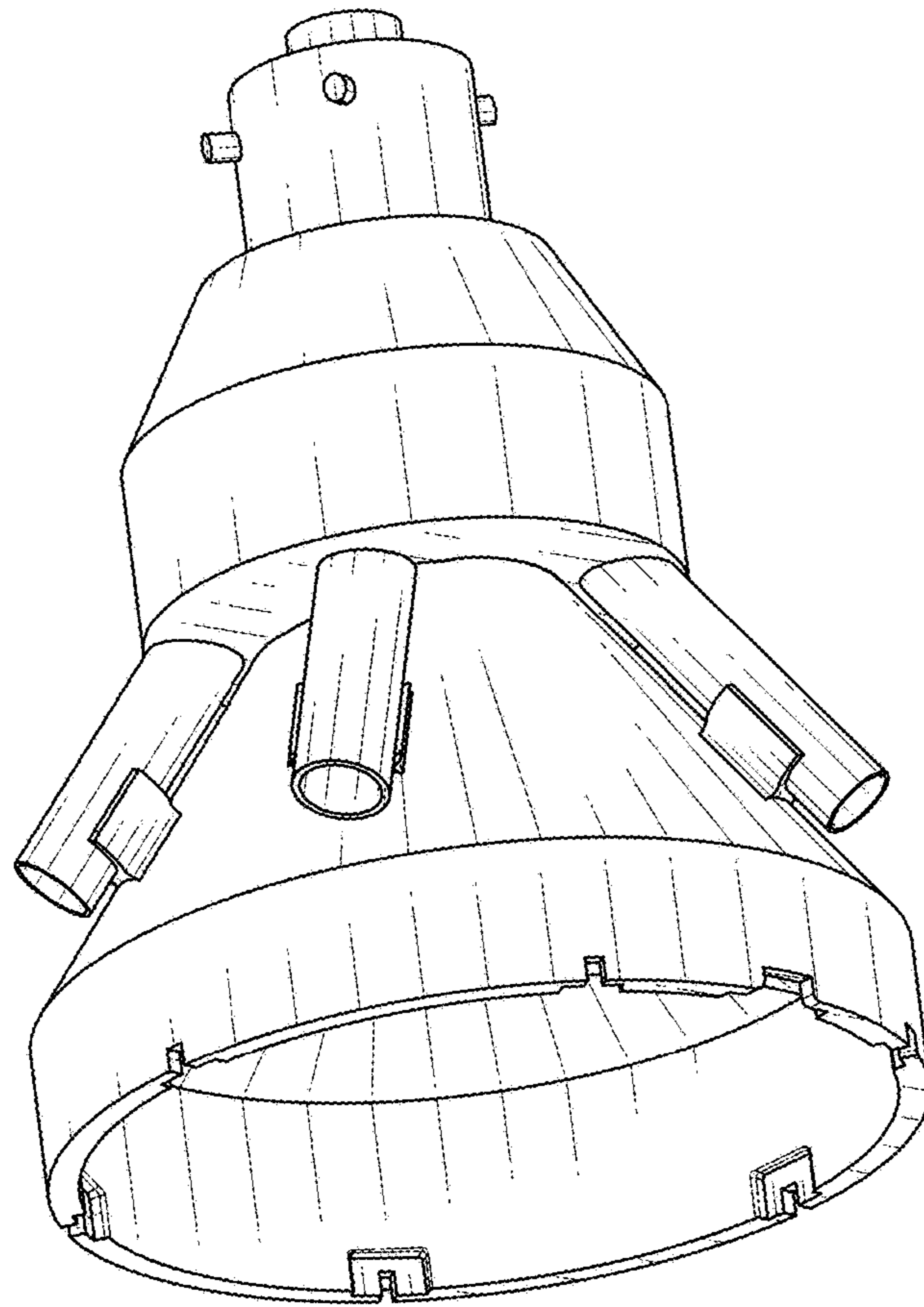


FIG. 1

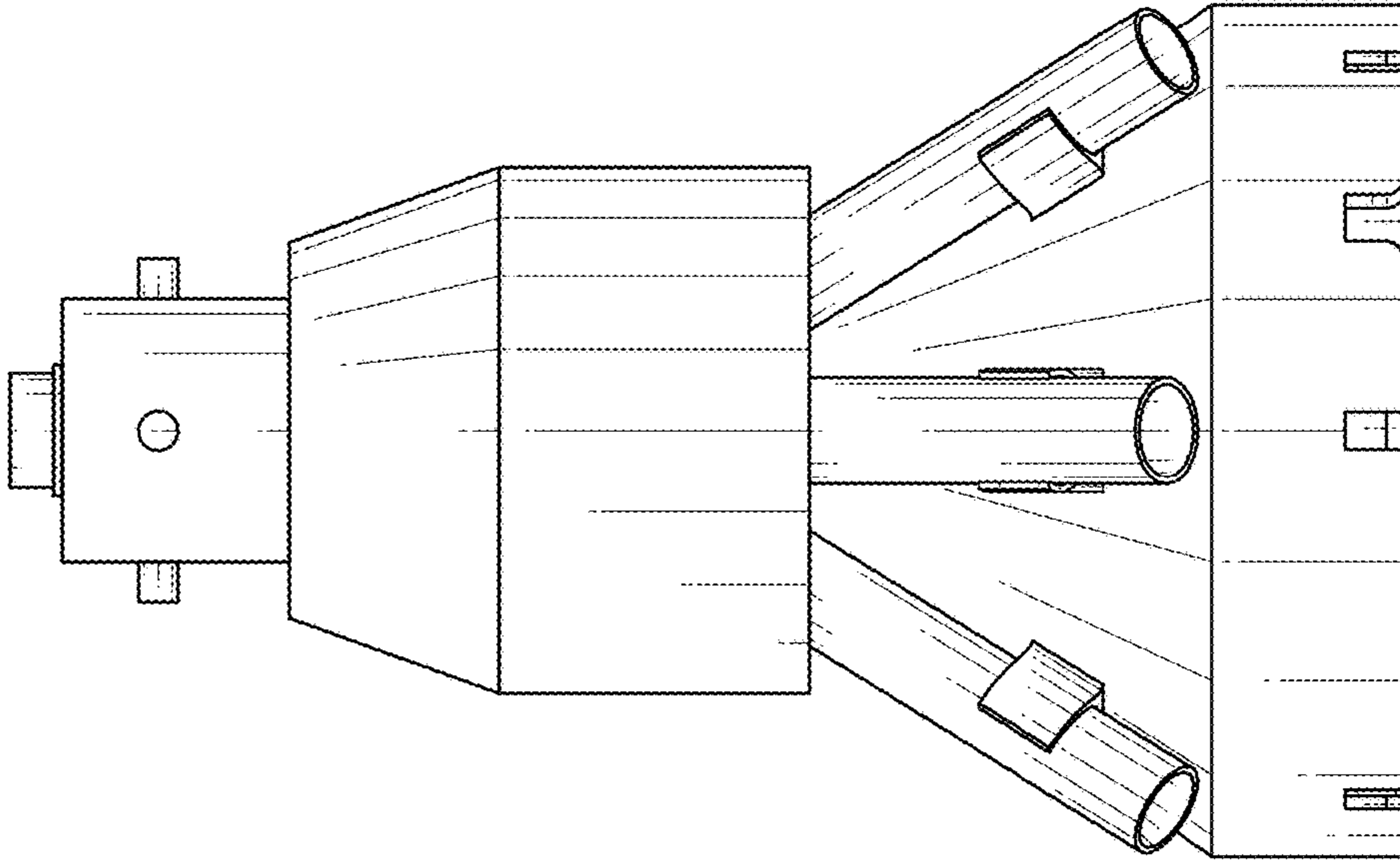


FIG. 2

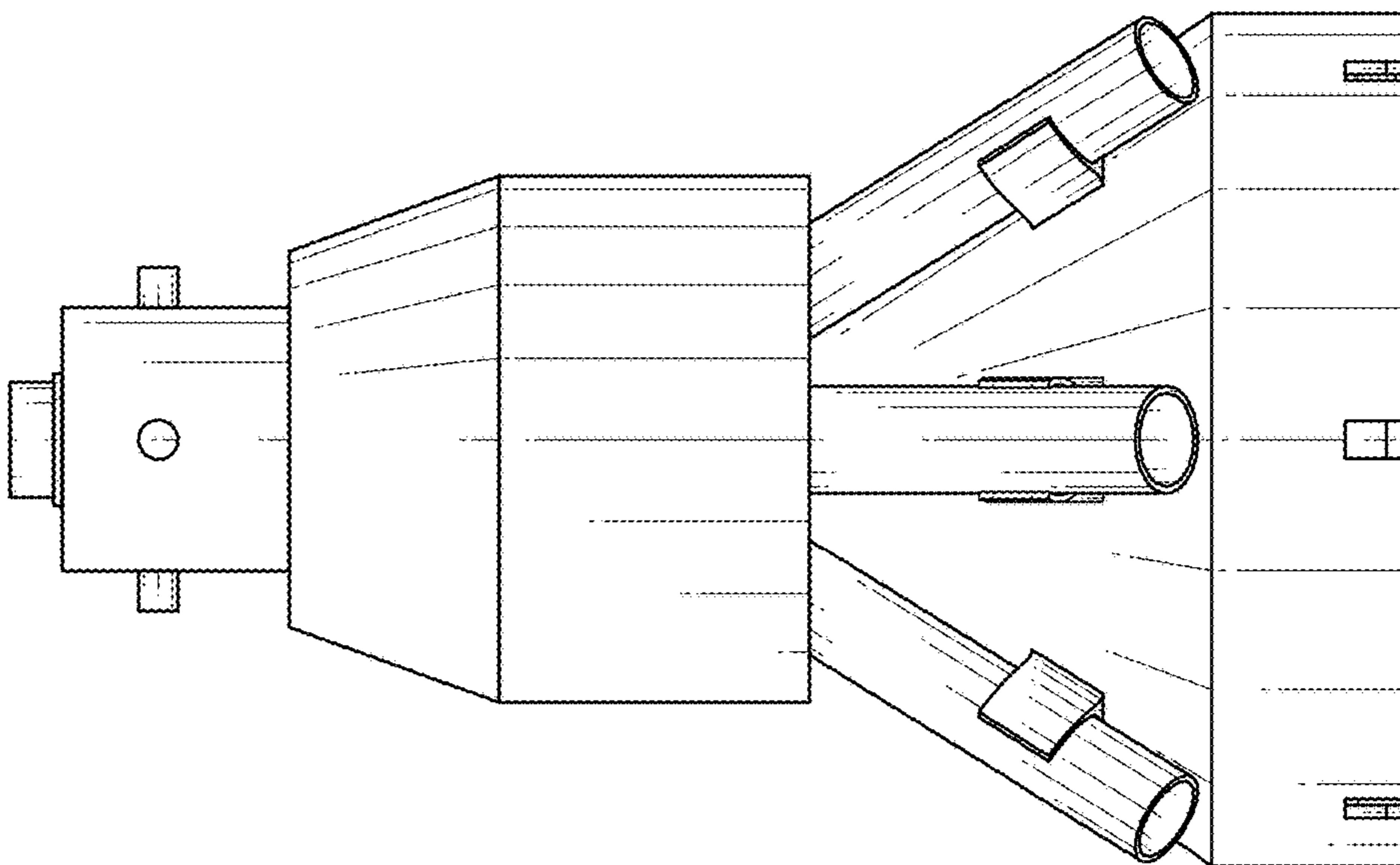


FIG. 3

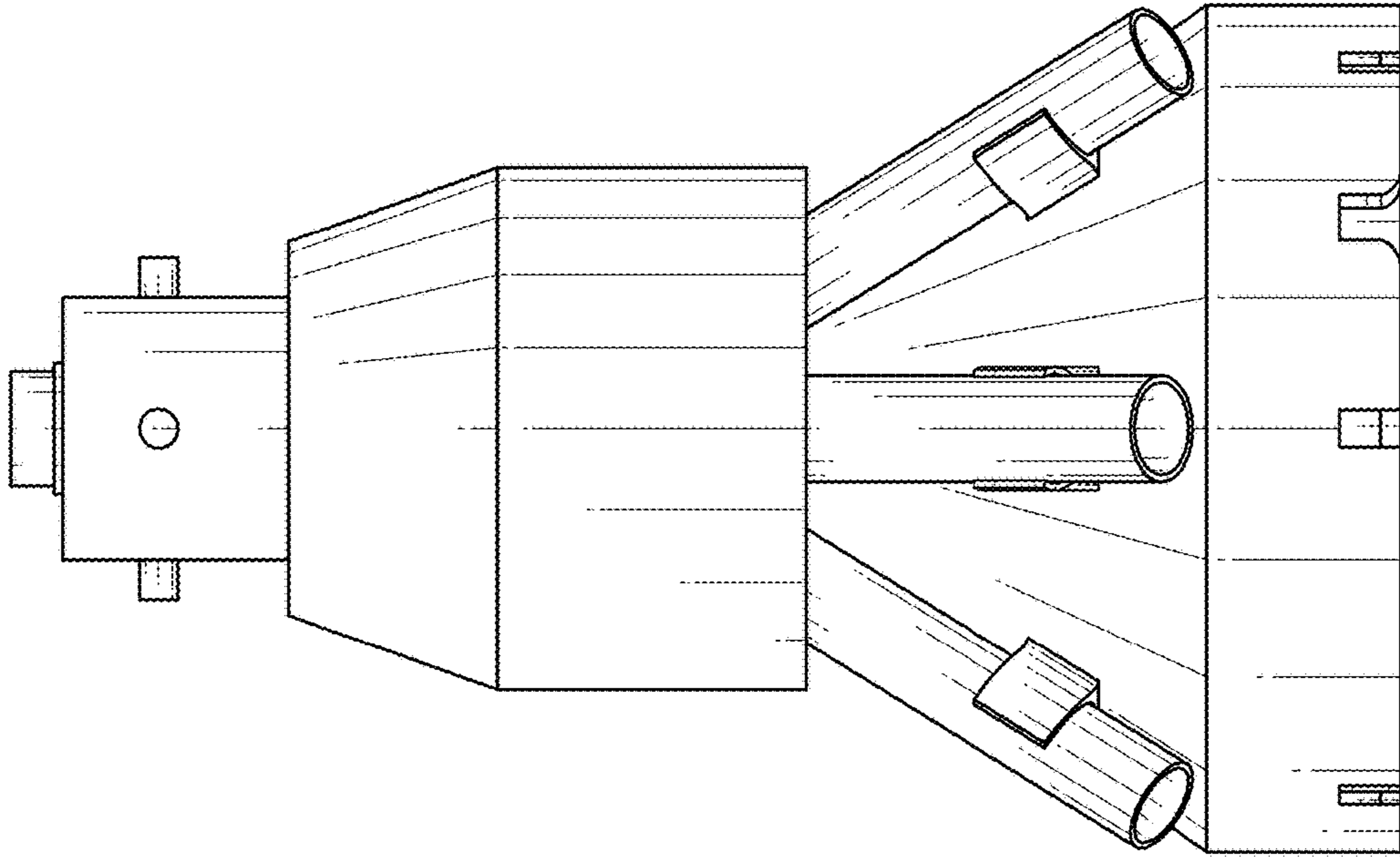


FIG. 5

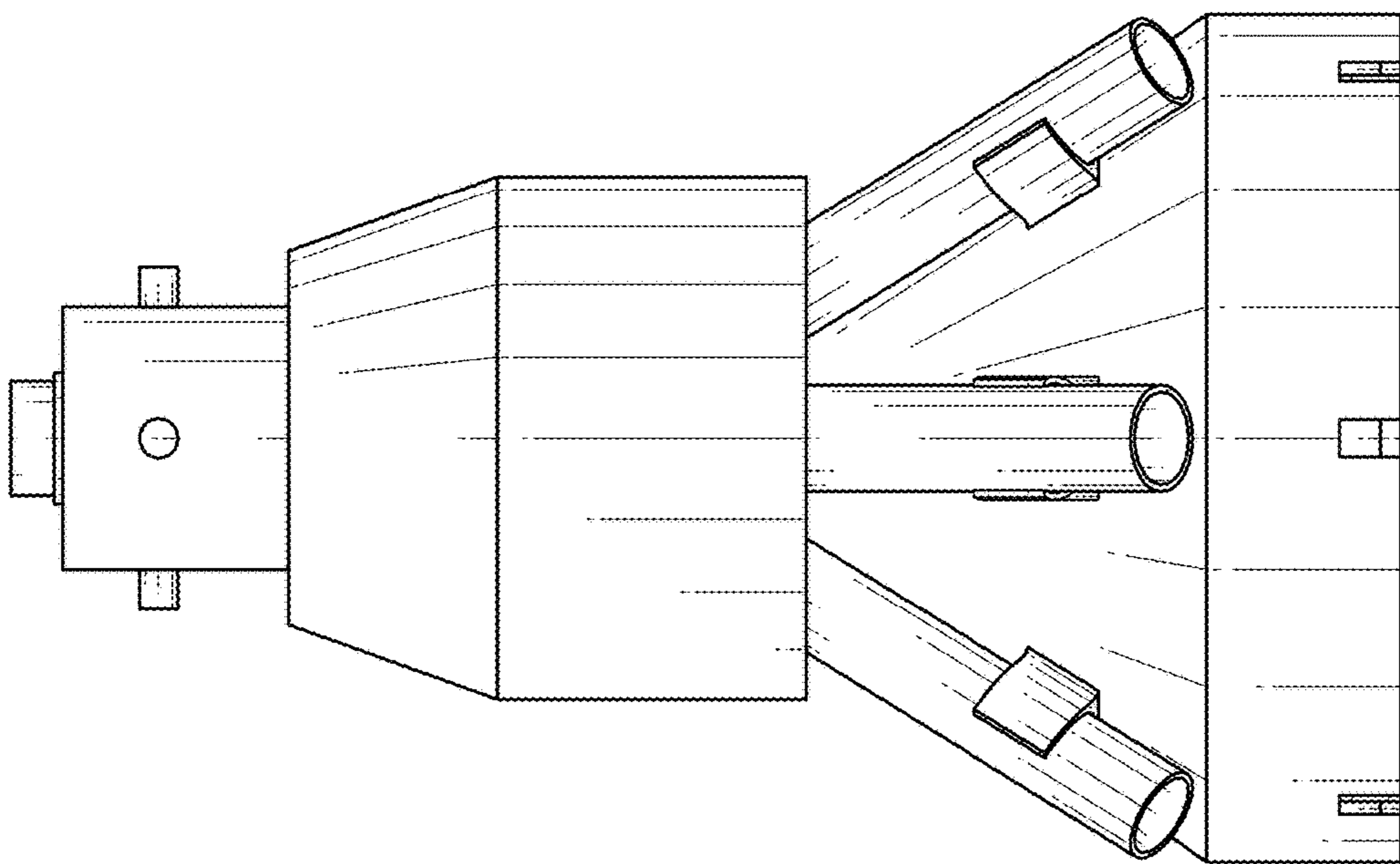


FIG. 4

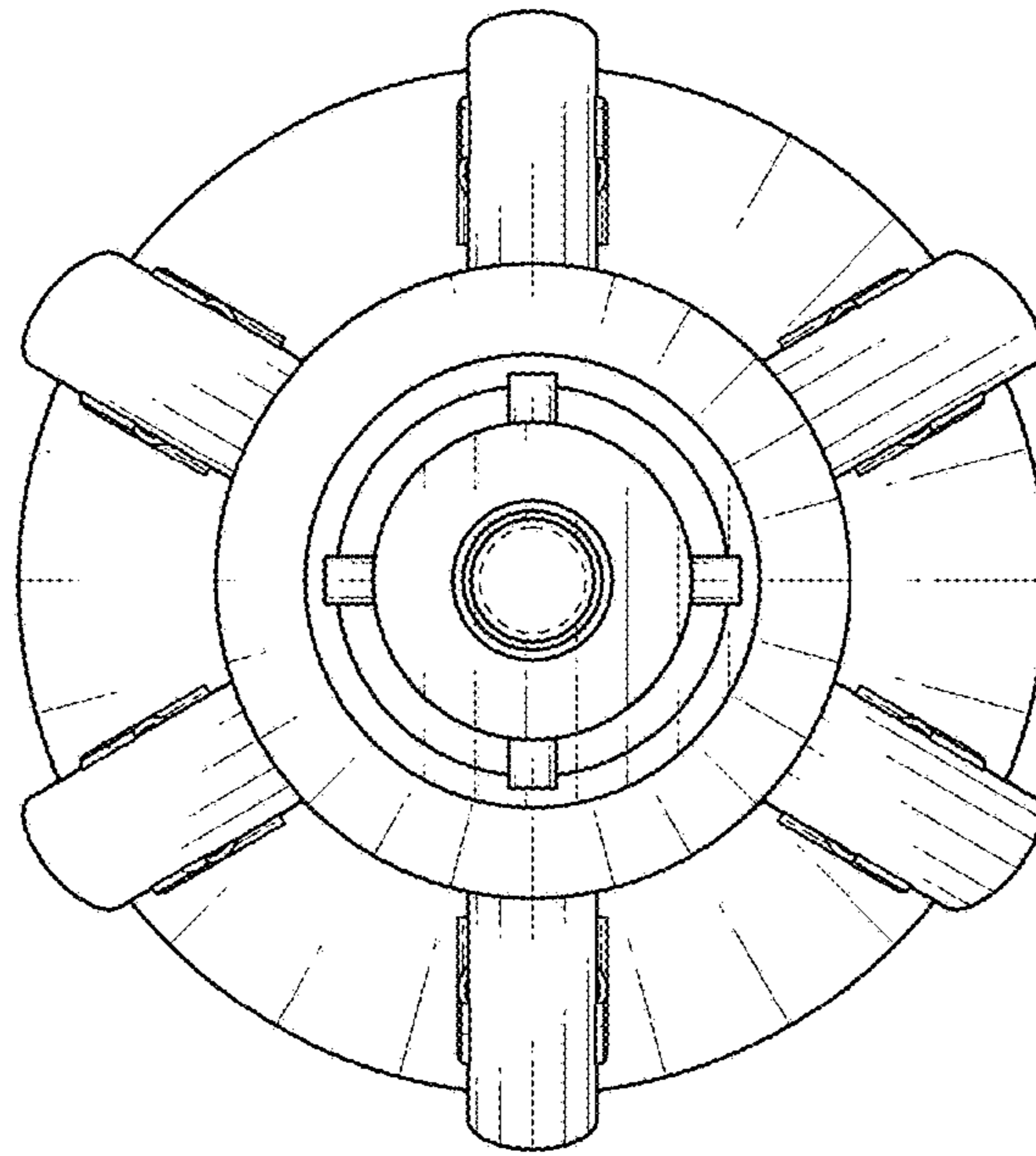


FIG. 6

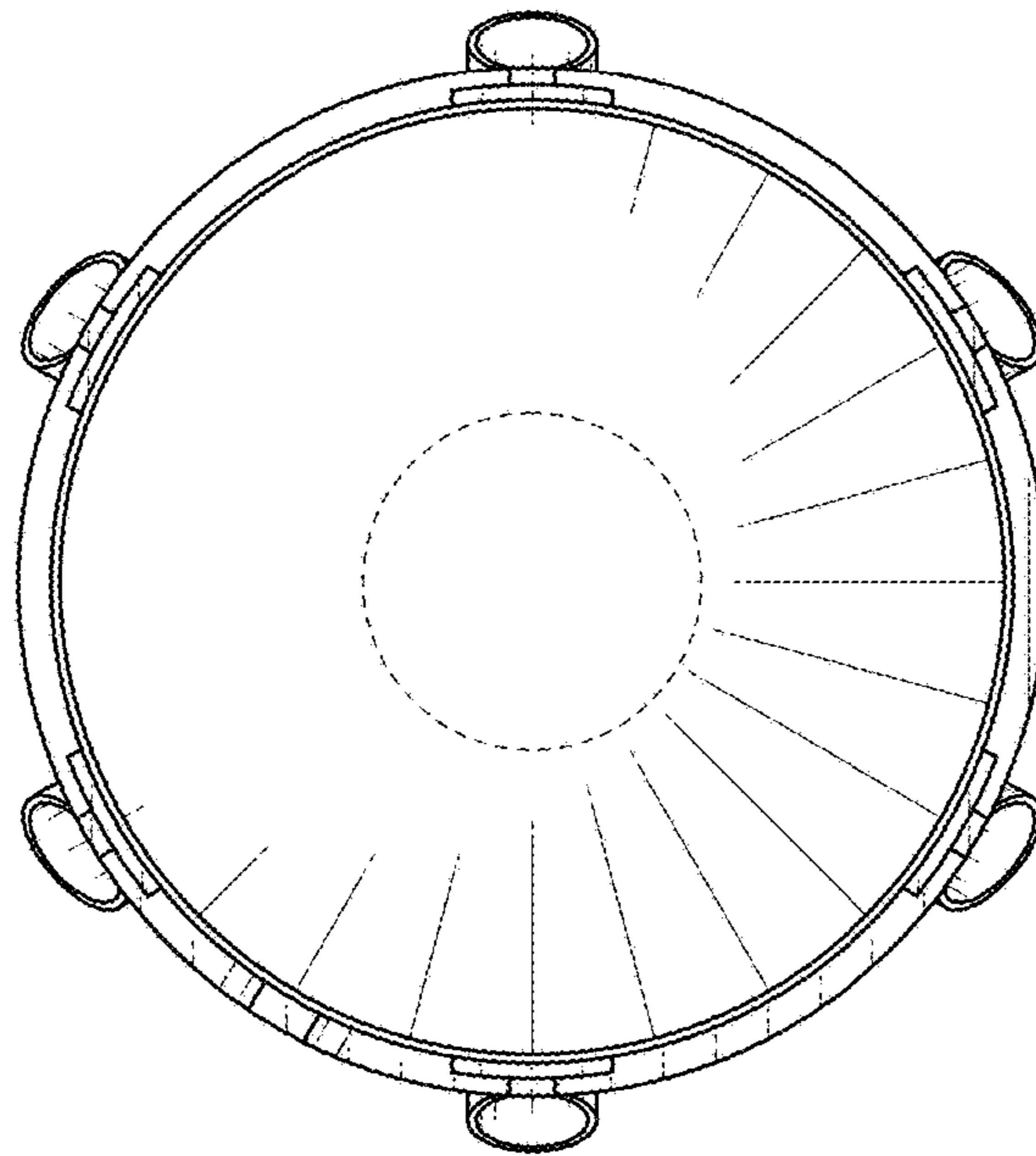


FIG. 7

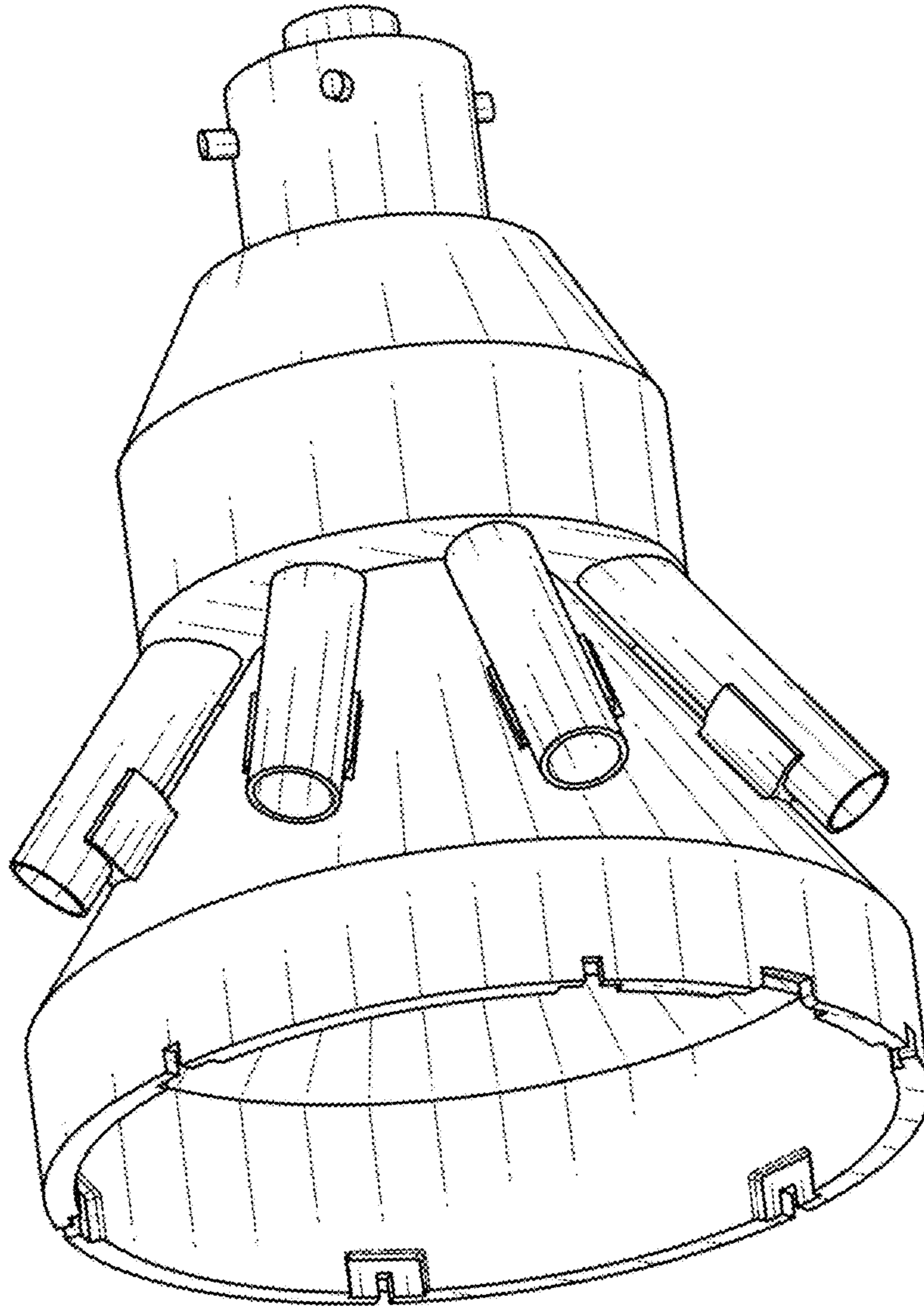


FIG. 8

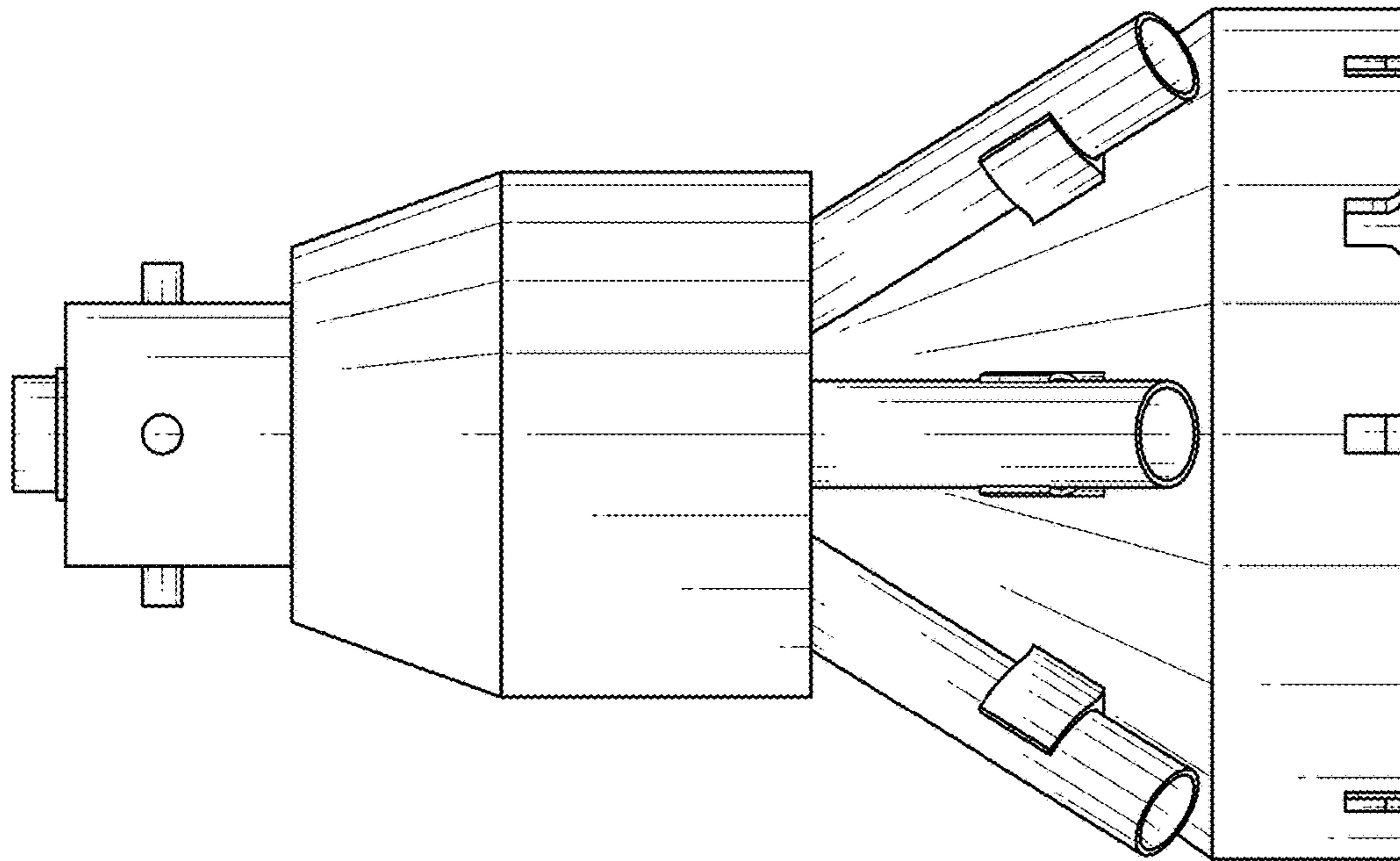


FIG. 10

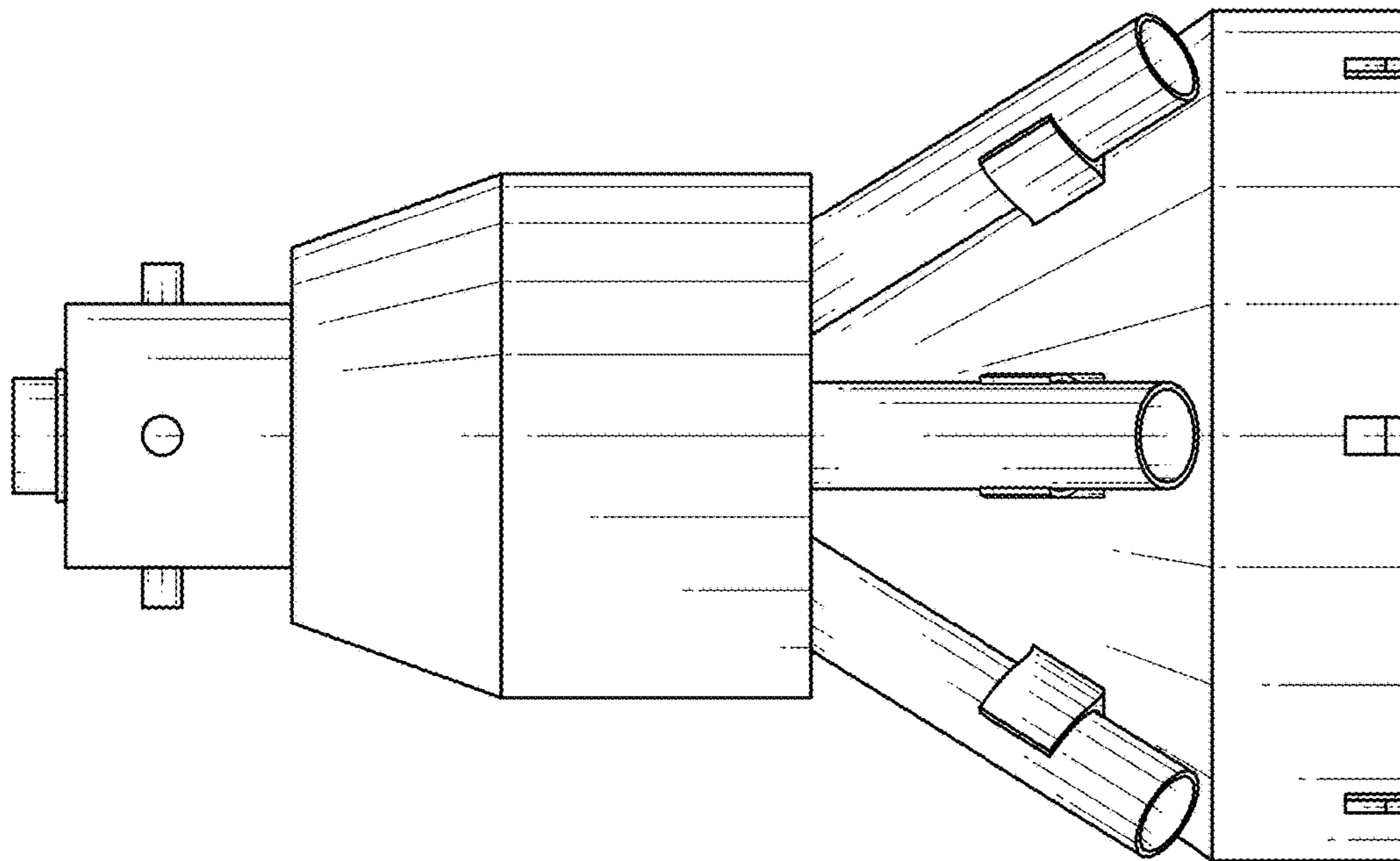


FIG. 9

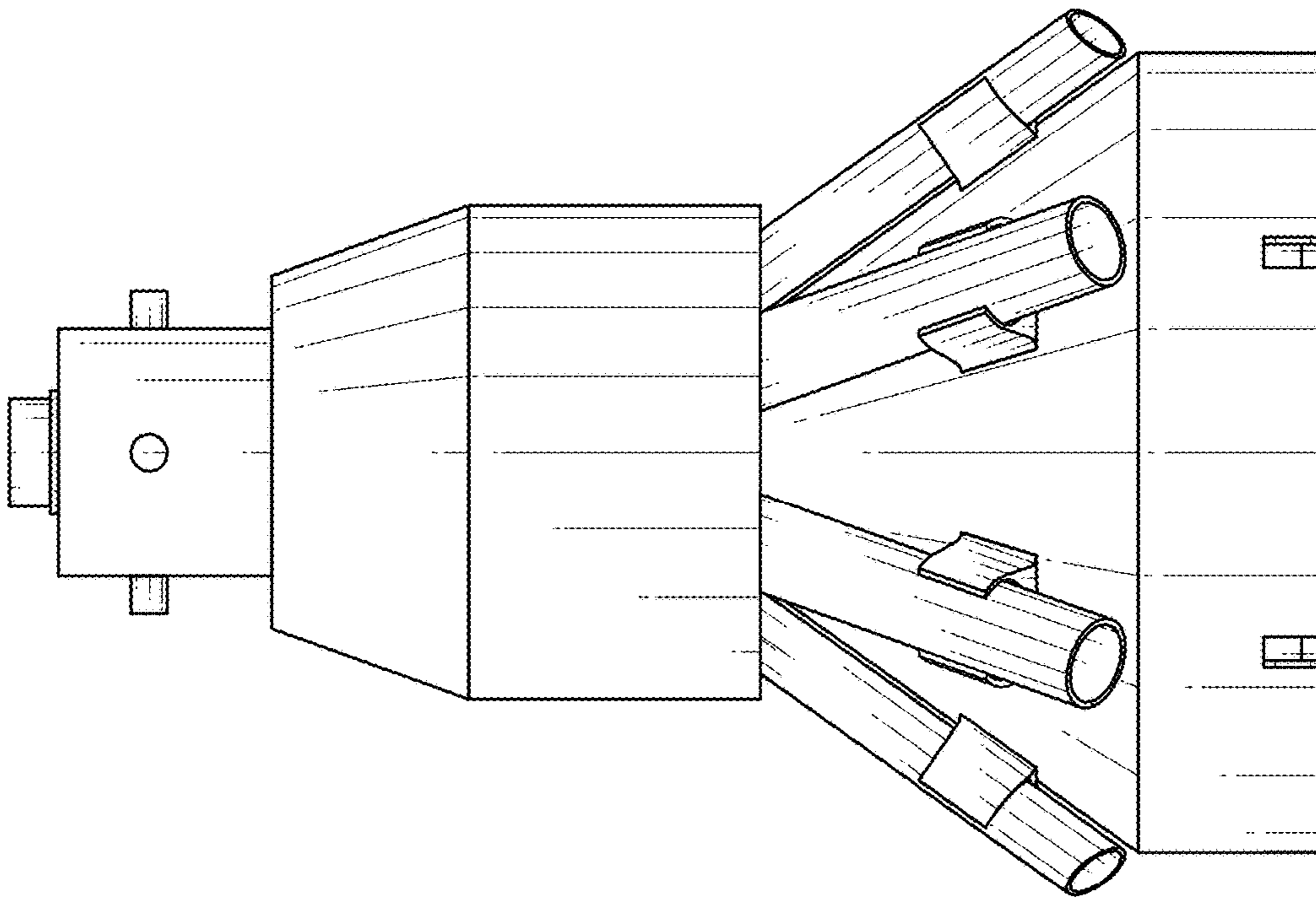


FIG. 12

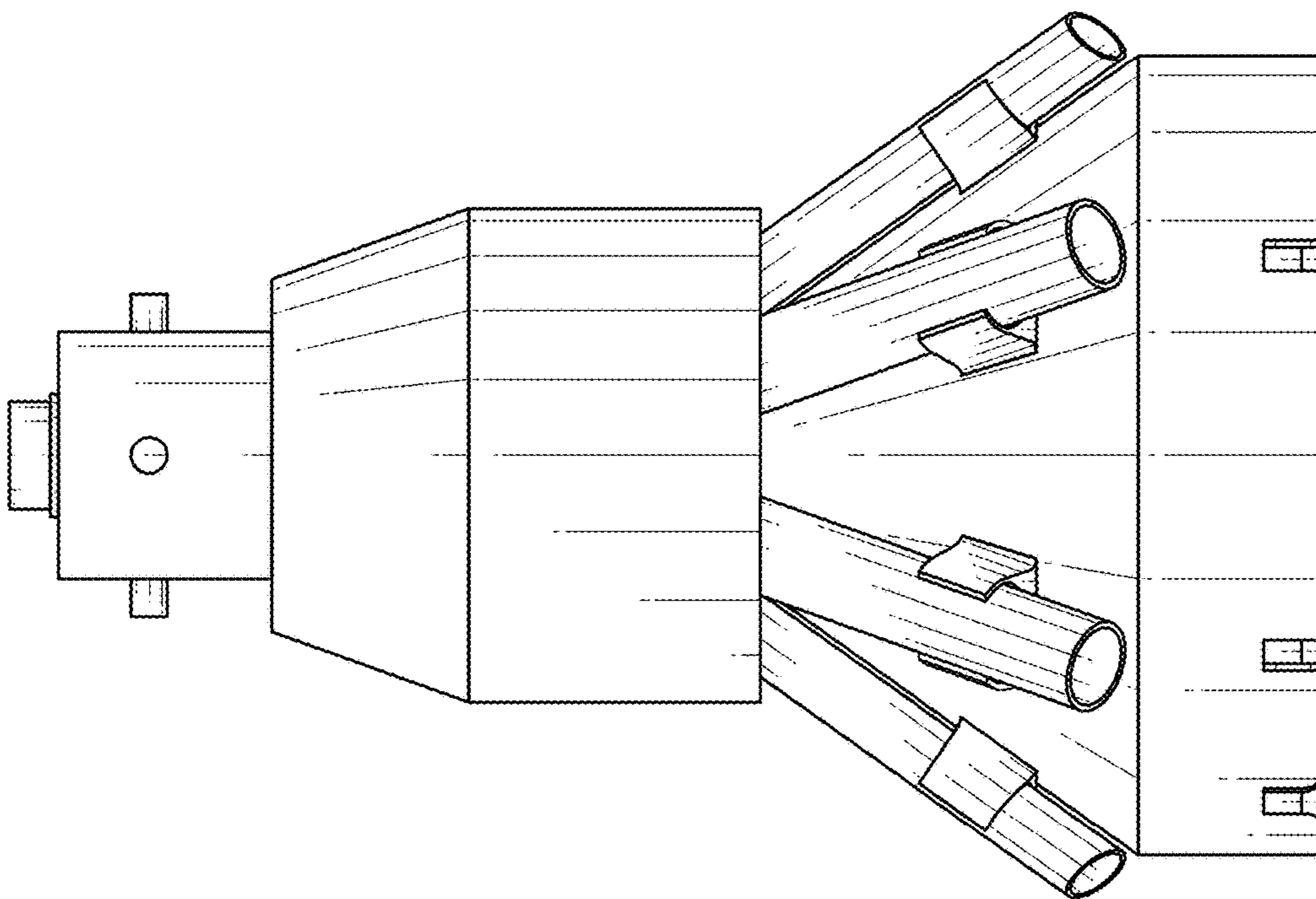


FIG. 11

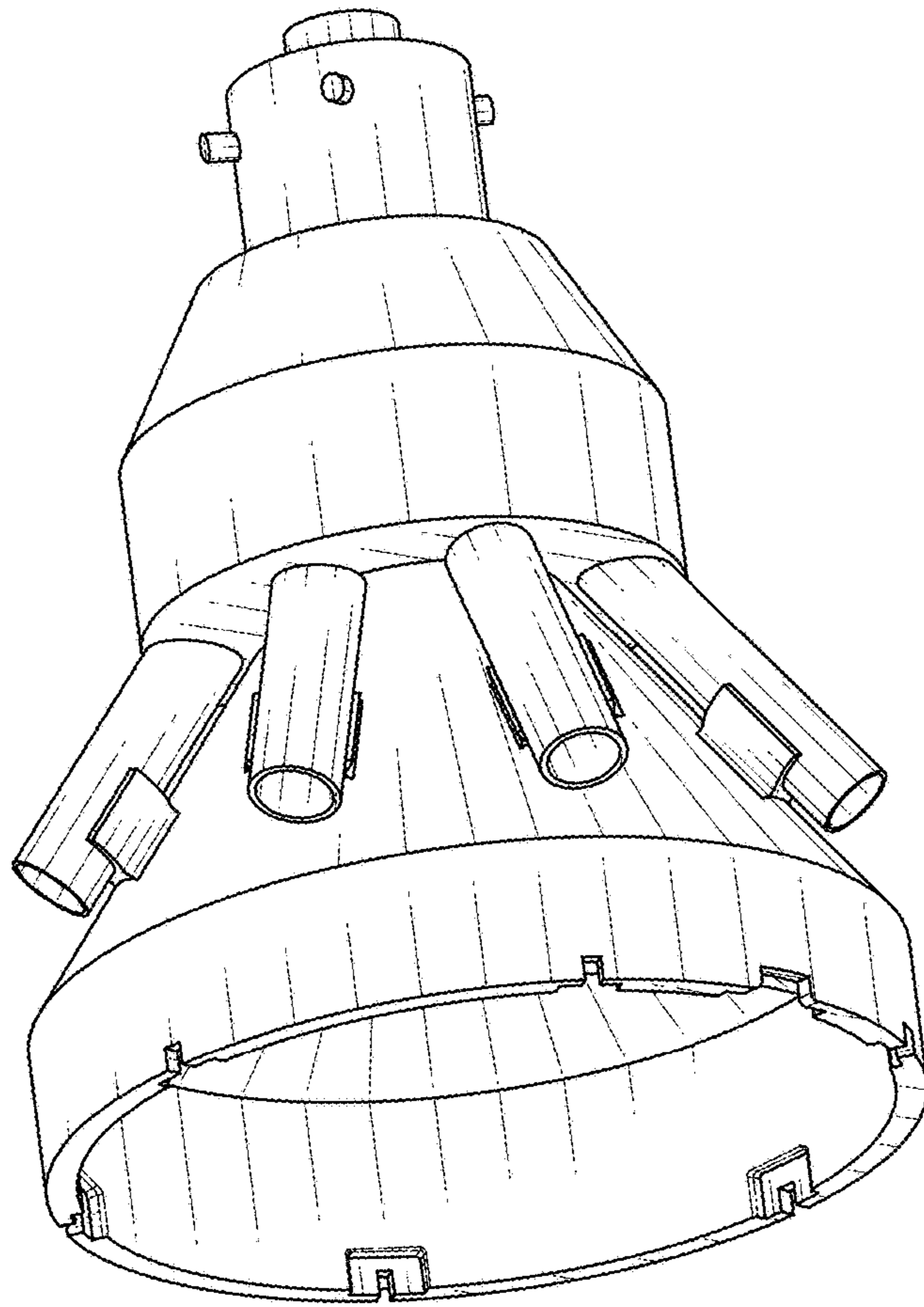


FIG. 13

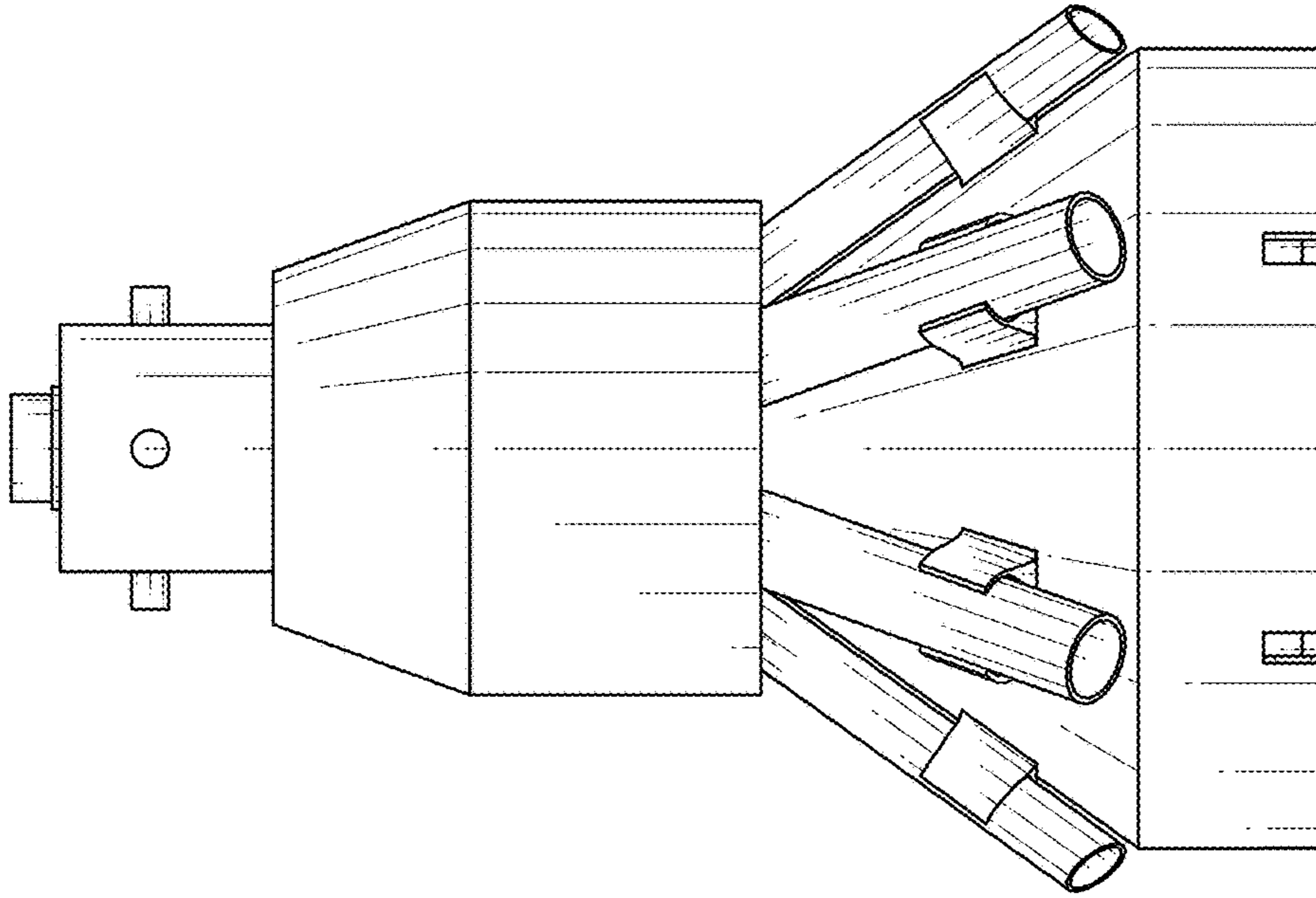


FIG. 14

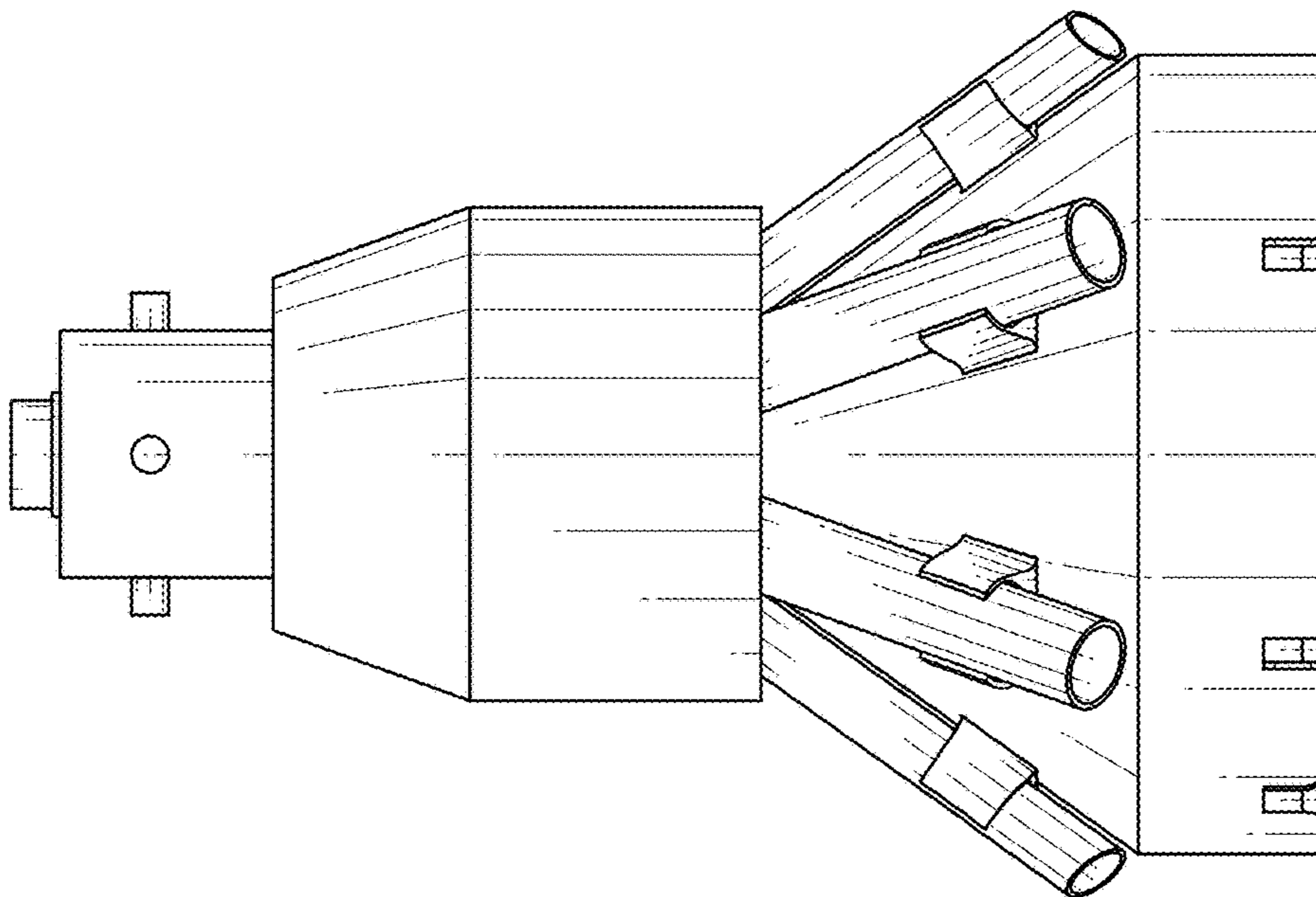


FIG. 15

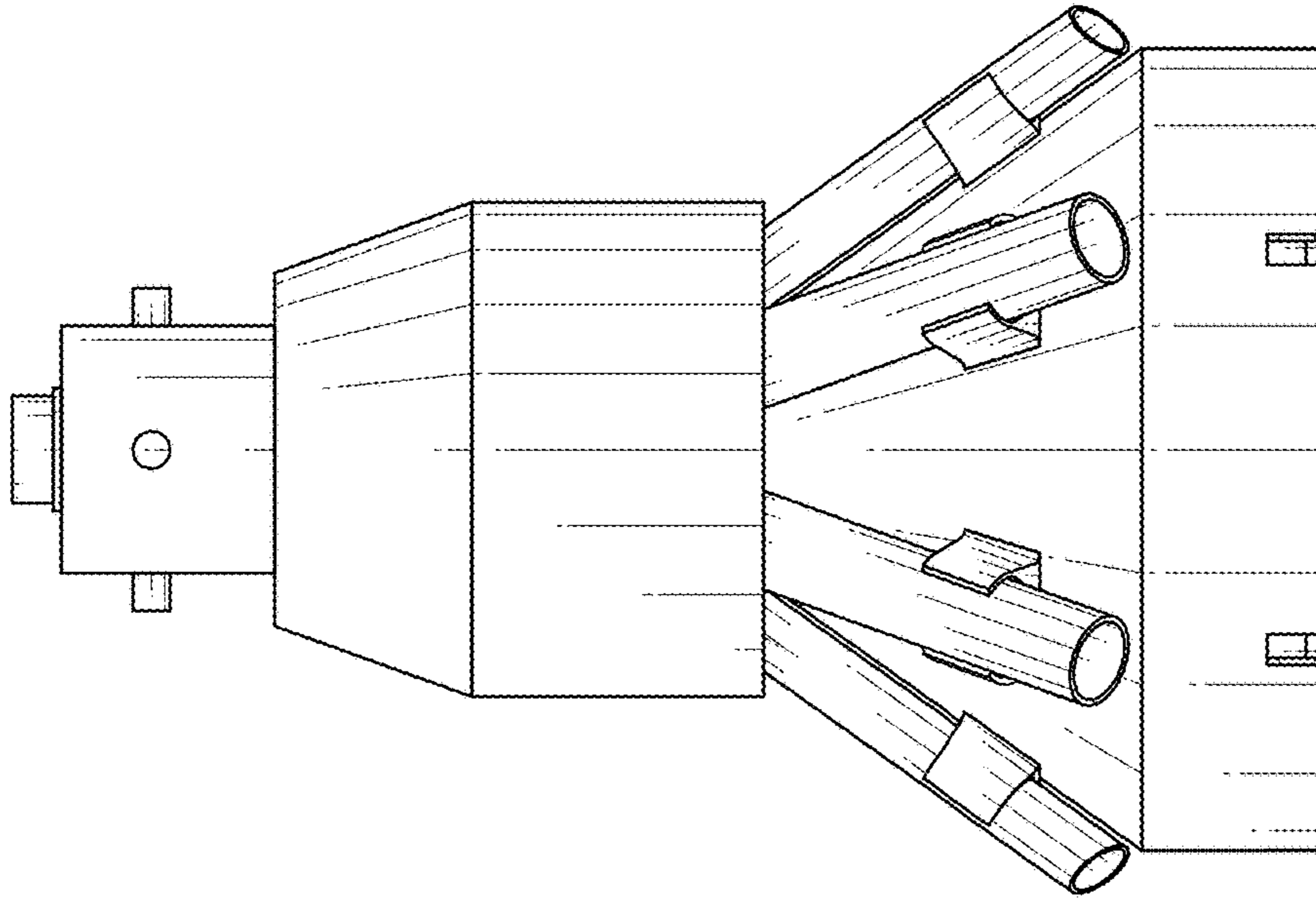


FIG. 16

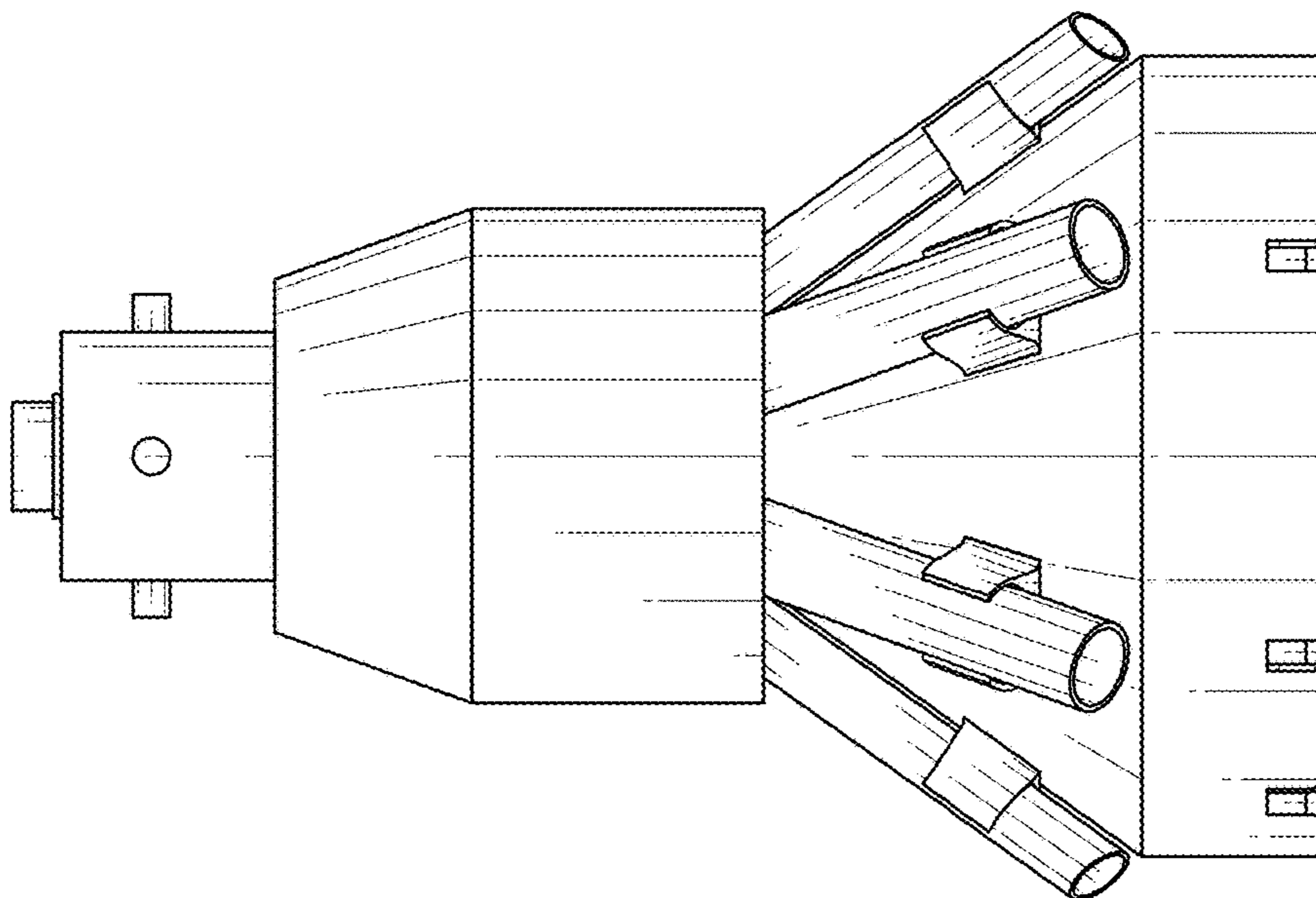


FIG. 17