



US00D865111S

(12) **United States Design Patent**  
**Storch**

(10) **Patent No.:** **US D865,111 S**

(45) **Date of Patent:** **\*\* Oct. 29, 2019**

(54) **FIREARM HAND GUARD**

(71) Applicant: **Midwest Industries, Inc.**, Waukesha, WI (US)

(72) Inventor: **Troy Storch**, Wales, WI (US)

(73) Assignee: **Midwest Industries, Inc.**, Waukesha, WI (US)

(\*\*) Term: **15 Years**

(21) Appl. No.: **29/634,599**

(22) Filed: **Jan. 23, 2018**

(51) **LOC (12) Cl.** ..... **22-01**

(52) **U.S. Cl.**  
USPC ..... **D22/108**

(58) **Field of Classification Search**  
USPC ..... D22/108–110, 199; D21/570, 573–575  
See application file for complete search history.

(56) **References Cited**

U.S. PATENT DOCUMENTS

3,462,021 A	8/1969	Hawke et al.	
3,731,418 A	5/1973	Birkenhagen	
D259,994 S	7/1981	Salcedo	
D276,789 S	12/1984	Olsen	
4,751,610 A	6/1988	Nickola	
4,765,224 A	8/1988	Morris	
D302,514 S	8/1989	Gates	
D349,230 S	8/1994	Essick	
D508,726 S	8/2005	Storch	
7,066,059 B1	6/2006	Hsieh	
RE39,465 E	1/2007	Swan	
7,216,451 B1	5/2007	Troy	
D556,289 S *	11/2007	Yu	D22/108
D556,290 S	11/2007	Swan	
7,574,823 B2	8/2009	Nakayama	
D604,793 S *	11/2009	Fitzpatrick	D22/108
7,640,689 B2	1/2010	Fluhr	

7,707,762 B1	5/2010	Swan	
7,716,865 B2	5/2010	Daniel et al.	
7,770,317 B1	8/2010	Tankersley	
D625,765 S	10/2010	Storch	
D629,062 S *	12/2010	Peterson	D22/103

(Continued)

FOREIGN PATENT DOCUMENTS

CA	2877197 A1 *	7/2015	F41C 23/16
----	--------------	--------	------------

OTHER PUBLICATIONS

Eric B., Kriss Vector Modular Rail Handguard, posted at the Firearm Blog, posting date Aug. 23, 2017. Site visited Mar. 7, 2019. URL: <<https://www.thefirearmblog.com/blog/2017/08/23/kriss-vector-modular-rail-handguard/>> (Year: 2017).\*

(Continued)

*Primary Examiner* — Kevin K Rudzinski

*Assistant Examiner* — Kathleen L Jones

(74) *Attorney, Agent, or Firm* — Boyle Fredrickson

(57)

**CLAIM**

The ornamental design for a firearm hand guard, substantially as shown and described.

**DESCRIPTION**

FIG. 1 is a top perspective view of the firearm hand guard according to the present invention;

FIG. 2 is a right side elevation view thereof;

FIG. 3 is a rear elevation view thereof;

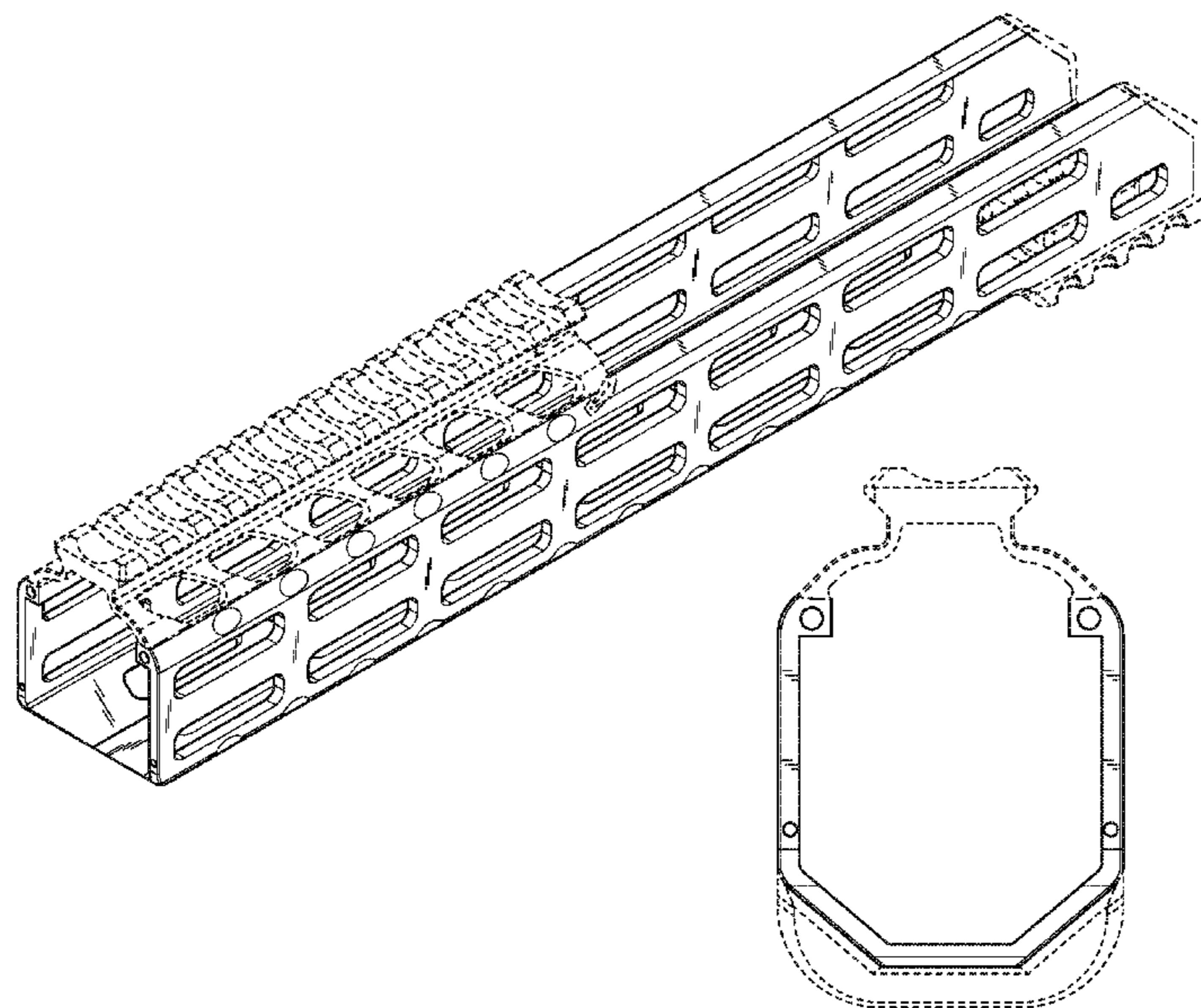
FIG. 4 is a front elevation view thereof;

FIG. 5 is a top plan view of thereof; and,

FIG. 6 is bottom plan view of thereof.

The evenly-spaced broken lines show portions of the firearm hand guard that form no part of the claimed design. The unevenly-spaced broken lines show boundaries of the claimed design and form no part thereof.

**1 Claim, 5 Drawing Sheets**



(56)

References Cited

U.S. PATENT DOCUMENTS

D630,698 S \* 1/2011 Peterson ..... D22/103  
 7,905,041 B1 3/2011 Davies  
 7,938,055 B2 5/2011 Hochstrate  
 D643,086 S \* 8/2011 Peterson ..... D22/103  
 8,046,949 B1 11/2011 Daniel  
 8,051,595 B2 11/2011 Hochstrate  
 8,096,213 B2 1/2012 Miers  
 8,141,287 B2 3/2012 Dubois  
 8,141,289 B2 3/2012 Gomez et al.  
 D657,013 S 4/2012 Swan  
 D659,220 S 5/2012 Foltz  
 8,201,353 B1 6/2012 Swan  
 8,205,373 B1 6/2012 Ubl et al.  
 8,230,634 B1 7/2012 Davies  
 8,234,808 B2 8/2012 Lewis et al.  
 8,234,809 B2 8/2012 Daniel  
 D666,689 S 9/2012 Swan  
 8,276,303 B2 10/2012 Kapusta et al.  
 8,276,304 B2 10/2012 Samson et al.  
 D670,352 S 11/2012 Norberg et al.  
 8,347,540 B2 1/2013 Sirois  
 8,359,779 B2 1/2013 Daniel et al.  
 D677,048 S 3/2013 Du  
 8,438,770 B2 5/2013 Troy  
 8,448,367 B2 5/2013 Samson et al.  
 D683,807 S 6/2013 Elkaim  
 8,464,457 B2 6/2013 Troy et al.  
 8,578,642 B2 11/2013 Troy et al.  
 8,607,490 B1 12/2013 Zinsner  
 8,640,372 B2 2/2014 Hochstrate  
 8,689,477 B2 4/2014 Gomez et al.  
 8,689,478 B2 4/2014 Patel  
 8,690,138 B2 4/2014 Lin et al.  
 8,713,838 B2 5/2014 Ubl et al.  
 8,739,448 B2 6/2014 Kimmel et al.  
 8,769,854 B1 7/2014 Battaglia  
 8,789,304 B2 7/2014 Engesser  
 8,806,792 B2 8/2014 Van  
 8,806,793 B2 8/2014 Daniel et al.  
 8,819,980 B2 9/2014 Geissele  
 8,904,691 B1 12/2014 Kincel  
 9,003,686 B2 4/2015 Brown  
 9,010,009 B2 4/2015 Buxton  
 9,032,658 B2 5/2015 Geissele  
 D732,378 S 6/2015 Oquendo et al.  
 9,068,786 B2 6/2015 DiChario  
 9,068,801 B1 6/2015 Strecher et al.  
 9,086,247 B2 7/2015 Lessard  
 9,091,505 B1 7/2015 Battaglia  
 9,140,506 B2 9/2015 Gomez  
 9,140,520 B2 9/2015 Lopes et al.  
 9,157,696 B2 10/2015 Dextraze  
 9,157,697 B2 10/2015 Leclair  
 D744,459 S 12/2015 Cummings et al.  
 D753,256 S 4/2016 Azhocar  
 D753,257 S 4/2016 Azhocar  
 9,453,694 B1 9/2016 Storch  
 9,494,382 B2 11/2016 Starch  
 9,528,793 B1 12/2016 Oglesby  
 D779,014 S \* 2/2017 Cheng ..... D22/108  
 D785,126 S 4/2017 Barrett  
 9,658,020 B2 5/2017 Daniel et al.  
 D788,871 S 6/2017 Storch  
 D792,547 S \* 7/2017 Fesas ..... D22/108  
 9,700,996 B2 7/2017 Hansley et al.  
 D797,232 S \* 9/2017 Gibbens ..... D22/108

9,766,035 B2 9/2017 Storch  
 D811,511 S 2/2018 Jenkinson  
 D828,898 S \* 9/2018 McKillips ..... D22/108  
 D834,113 S \* 11/2018 Chu ..... D21/574  
 D844,091 S \* 3/2019 Kincel ..... D22/108  
 10,295,304 B1 \* 5/2019 Kincel ..... F41C 23/16  
 2001/0042334 A1 \* 11/2001 Weichert ..... F41C 27/06  
 42/105  
 2006/0174733 A1 8/2006 Hsieh  
 2006/0260169 A1 11/2006 Samson  
 2007/0261285 A1 11/2007 Troy  
 2010/0212201 A1 8/2010 Kincel  
 2010/0269392 A1 10/2010 Swan  
 2010/0319231 A1 \* 12/2010 Stone ..... F41C 23/16  
 42/71.01  
 2011/0000119 A1 1/2011 Desomma et al.  
 2011/0061281 A1 3/2011 Kapusta et al.  
 2011/0126443 A1 6/2011 Sirois  
 2012/0317859 A1 12/2012 Brown  
 2013/0180151 A1 7/2013 Moore  
 2013/0219765 A1 8/2013 Ibarguren  
 2013/0284008 A1 10/2013 Pizano  
 2014/0026459 A1 1/2014 Yan  
 2014/0033590 A1 2/2014 Gomez  
 2014/0075817 A1 3/2014 Gomez  
 2014/0076150 A1 3/2014 Brinkmeyer  
 2014/0130390 A1 5/2014 Geissele  
 2015/0135573 A1 5/2015 DiChario  
 2015/0247695 A1 9/2015 Jarboe  
 2015/0316347 A1 11/2015 Shea et al.  
 2015/0343627 A1 12/2015 Hensley  
 2016/0091276 A1 \* 3/2016 Miller ..... F41C 23/16  
 42/75.02  
 2016/0290761 A1 \* 10/2016 Cook, Jr. .... F41A 21/44  
 2017/0138693 A1 \* 5/2017 Roberts ..... F41G 11/001  
 2017/0176135 A1 \* 6/2017 Fesas ..... F41A 13/00  
 2018/0010881 A1 \* 1/2018 Garst ..... F41C 23/16  
 2018/0023924 A1 \* 1/2018 Storch ..... F41G 11/00  
 42/90  
 2018/0356181 A1 \* 12/2018 Williams ..... F41C 23/16

OTHER PUBLICATIONS

RU-00088518, posted at Orbit, publication date Apr. 16, 2014, site visited Mar. 7, 2019. Available from Internet (Year: 2014).\*

Nicholas C, Lightning Review: Midwest Industries Gen2 AK Handguard, posted at The Firearm Blog, posting date Aug. 24, 2016. Site visited Mar. 7, 2019. URL: <<https://www.thefirearmblog.com/blog/2016/08/24/lightning-review-midwest-industries-gen2-ak-handguard/>> (Year: 2016).\*

HB Industries, CZ Scorpion Handguard Install by HBI, posted at YouTube, posting date Nov. 11, 2016. Site visited Mar. 7, 2019. URL: <<https://www.youtube.com/watch?v=Q-Dny1zPZZg>> (Year: 2016).\*

Midwest Industries Inc, Midwest Industries CZ Scorpion Handguard Installation, posted at YouTube, posting date Dec. 2017. Site visited Mar. 7, 2019. URL: <<https://www.youtube.com/watch?v=IX7QVv80jzs>> (Year: 2017).\*

Eric B, Zenith Z-5RS "Pistolman", posted at The Firearm Blog, posting date Nov. 7, 2017. Site visited Mar. 7, 2019. URL: <<https://www.thefirearmblog.com/blog/2017/11/07/zenith-z-5rs-pistolman/>> (Year: 2017).\*

M-Lok Offset Light/Optic Mount, Magpul, [online], [site visited Sep. 13, 2016]. <URL: <https://www.magpul.com/products/m-lok-offset-light-optic-mount-aluminum/>>.

\* cited by examiner

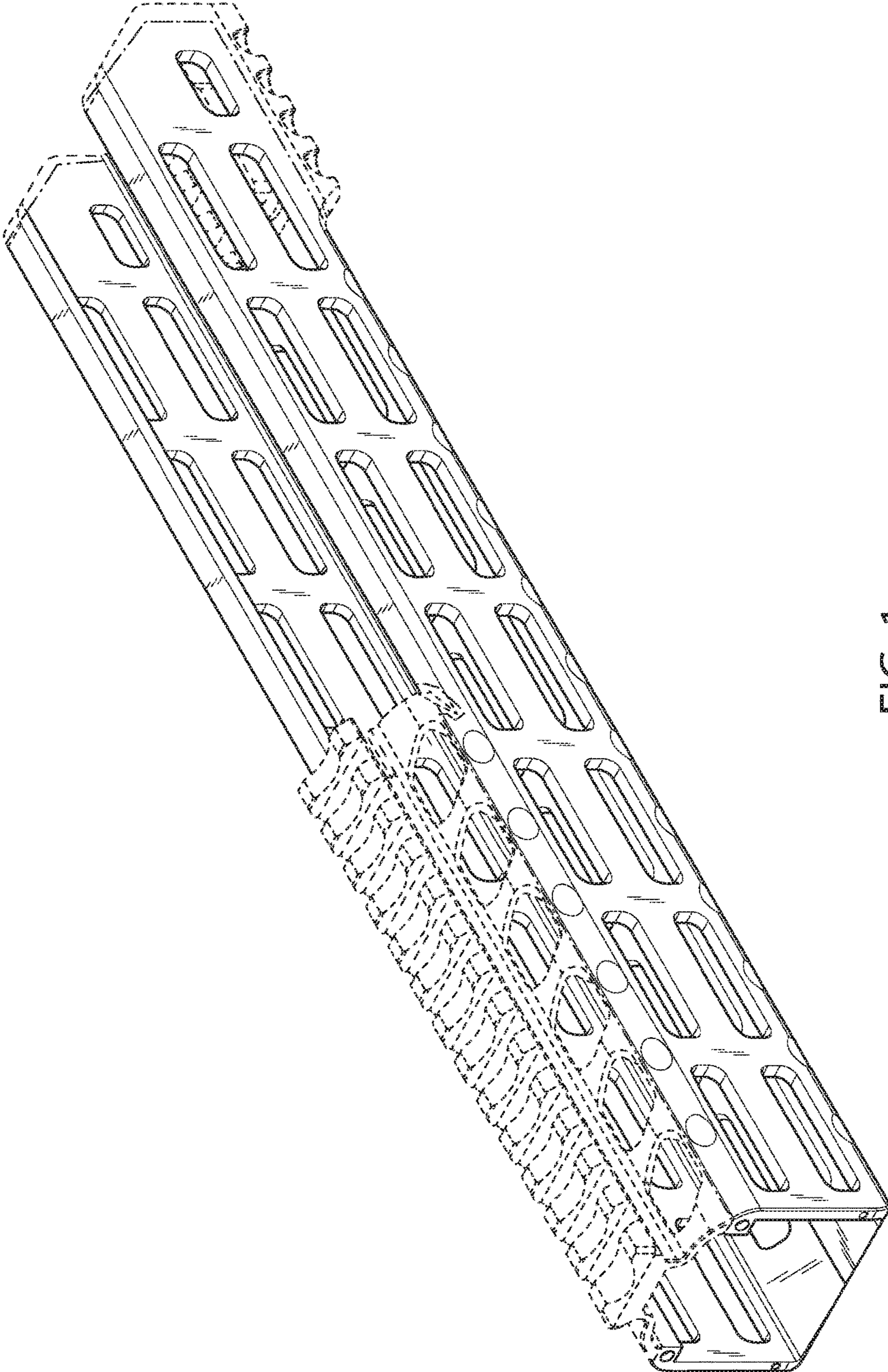


FIG. 1

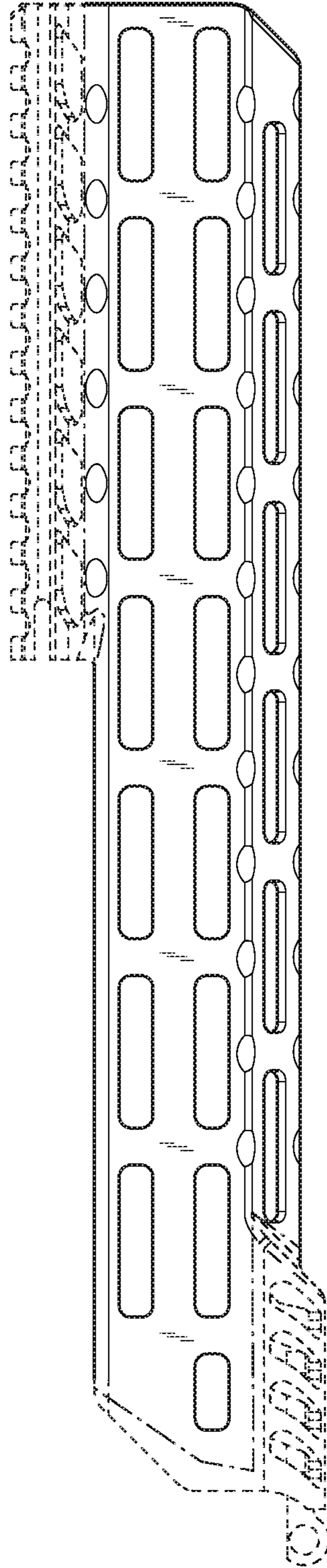


FIG. 2

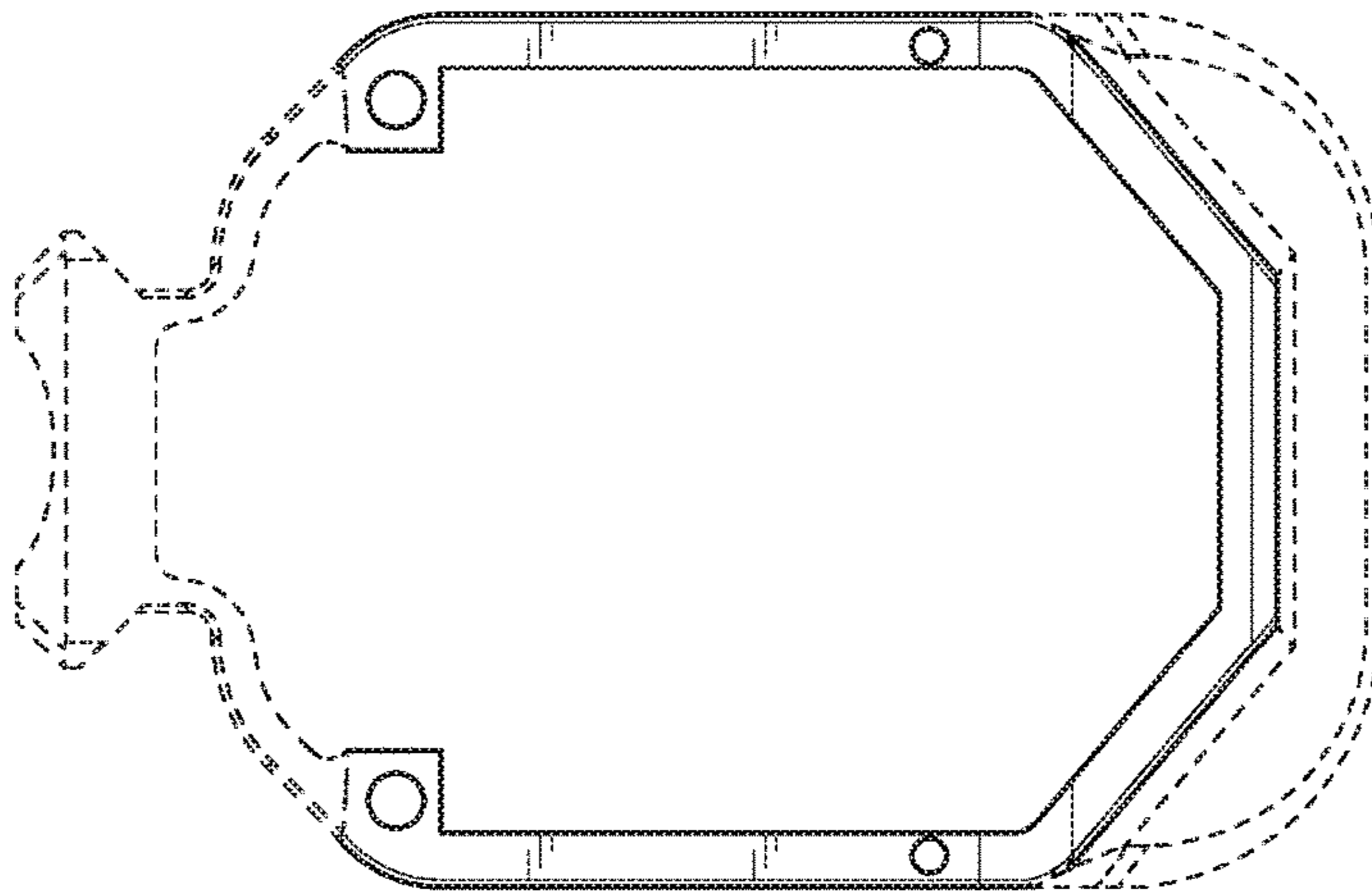


FIG. 4

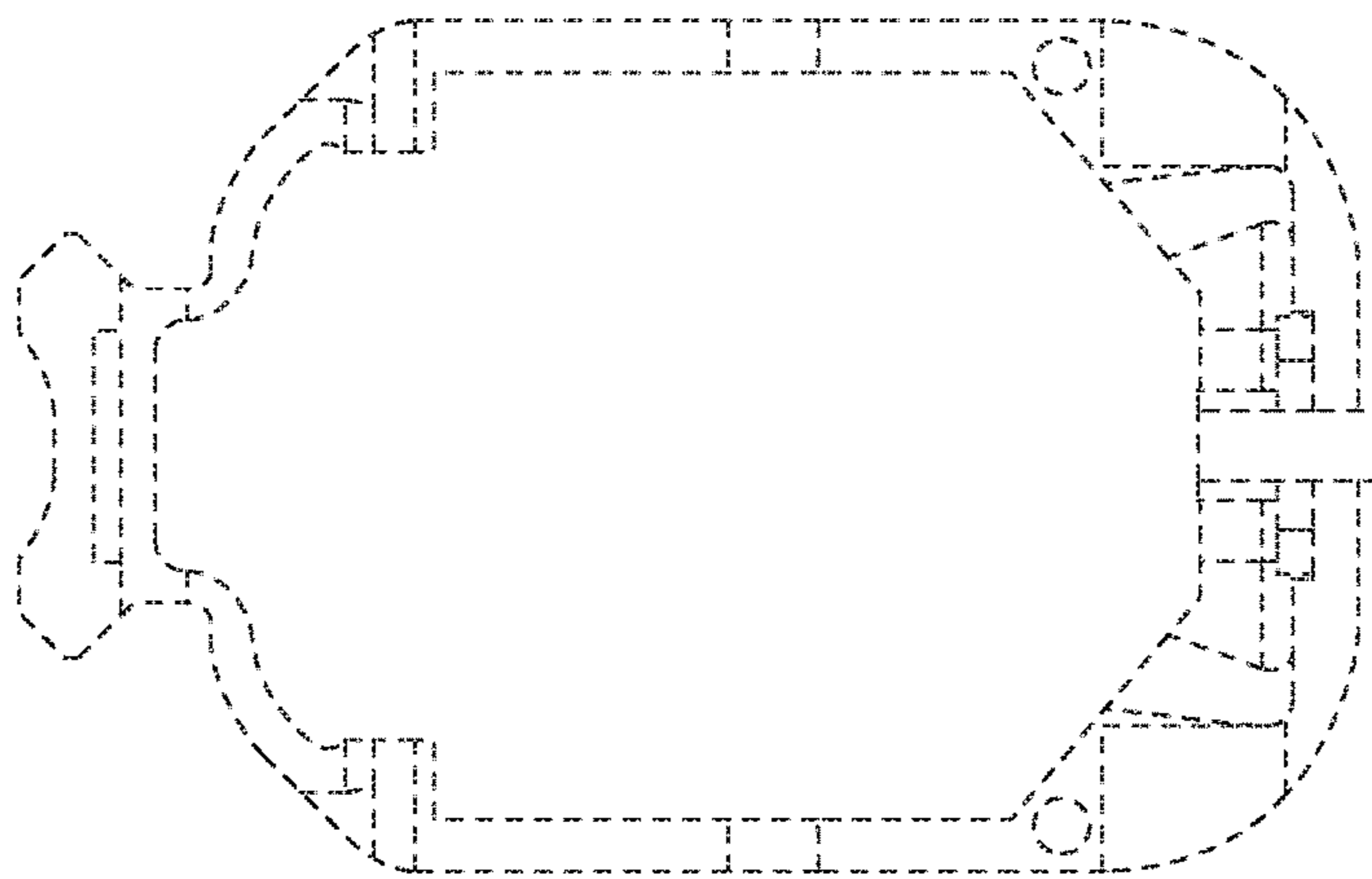


FIG. 3

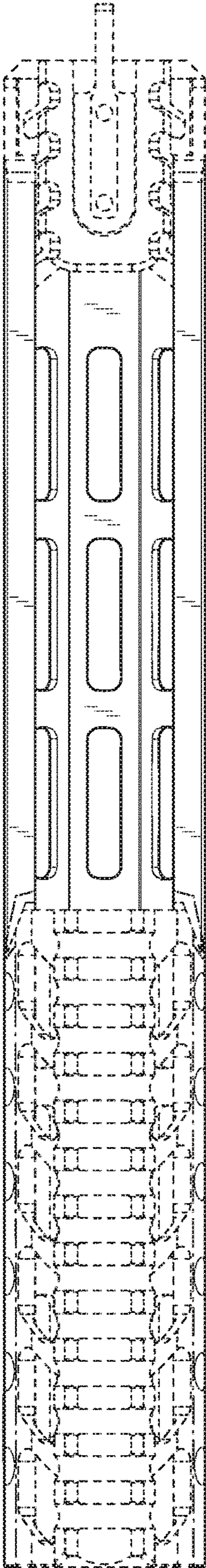


FIG. 5

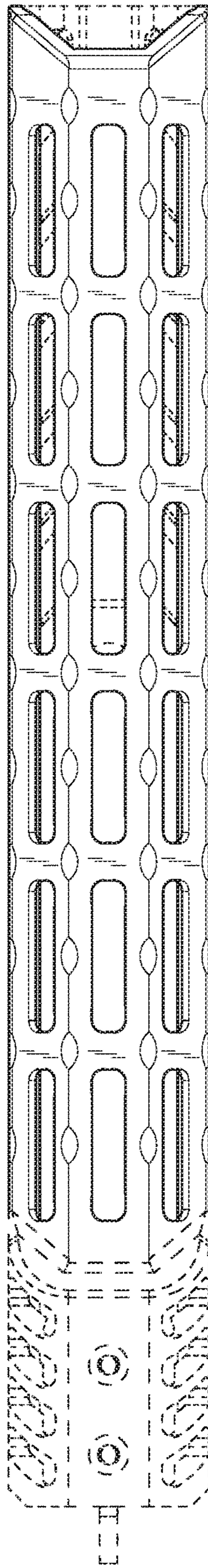


FIG. 6