



US00D865110S

(12) **United States Design Patent**  
**Geissele**

(10) **Patent No.:** **US D865,110 S**  
(45) **Date of Patent:** **\*\* Oct. 29, 2019**

- (54) **FIREARM CHARGING HANDLE**
- (71) Applicant: **WHG Properties, LLC**, North Wales, PA (US)
- (72) Inventor: **William H. Geissele**, Lower Gwynedd, PA (US)
- (73) Assignee: **WHG Properties, LLC**, North Wales, PA (US)
- (\*\*) Term: **15 Years**
- (21) Appl. No.: **29/624,998**
- (22) Filed: **Nov. 6, 2017**

**Related U.S. Application Data**

- (62) Division of application No. 29/563,382, filed on May 4, 2016, now Pat. No. Des. 805,598.
- (51) **LOC (12) Cl.** ..... **22-01**
- (52) **U.S. Cl.**  
USPC ..... **D22/108**
- (58) **Field of Classification Search**  
USPC ..... D22/108  
CPC ..... F41A 3/72  
See application file for complete search history.

(56) **References Cited**

**U.S. PATENT DOCUMENTS**

- 5,726,377 A \* 3/1998 Harris ..... F41A 19/14  
42/65
- 6,968,642 B1 \* 11/2005 Leung ..... F41C 23/16  
30/162
- 7,240,600 B1 7/2007 Bordson
- D614,718 S \* 4/2010 Hoel ..... D22/108
- 7,707,921 B1 \* 5/2010 Hoel ..... F41A 35/06  
42/16
- 7,832,322 B1 \* 11/2010 Hoel ..... F41A 35/06  
42/16
- 7,861,635 B1 \* 1/2011 Hoel ..... F41A 35/06  
42/16

- 7,900,546 B2 3/2011 Bordson
- 8,104,393 B2 \* 1/2012 Kincel ..... F41A 3/72  
42/16
- 8,261,649 B2 9/2012 Fitzpatrick  
(Continued)

**OTHER PUBLICATIONS**

<http://www.ar15news.com/2015/05/16/sneak-peek-rainier-arms-avalanche-ambi-charging-handle> (Year: 2015).\*  
(Continued)

*Primary Examiner* — Michael A. Pratt  
(74) *Attorney, Agent, or Firm* — Fox Rothschild LLP

(57) **CLAIM**

The ornamental design for a firearm charging handle, as shown and described.

**DESCRIPTION**

FIG. 1 is a bottom, front, right side perspective view of a firearm charging handle in accordance with the present disclosure.

FIG. 2 is a bottom, front, right side perspective view of a rear portion of the firearm charging handle of FIG. 1.

FIG. 3 is a top view of a rear portion of the firearm charging handle of FIG. 1.

FIG. 4 is a bottom view of a rear portion of the firearm charging handle of FIG. 1.

FIG. 5 is a right side view of a rear portion of the firearm charging handle of FIG. 1.

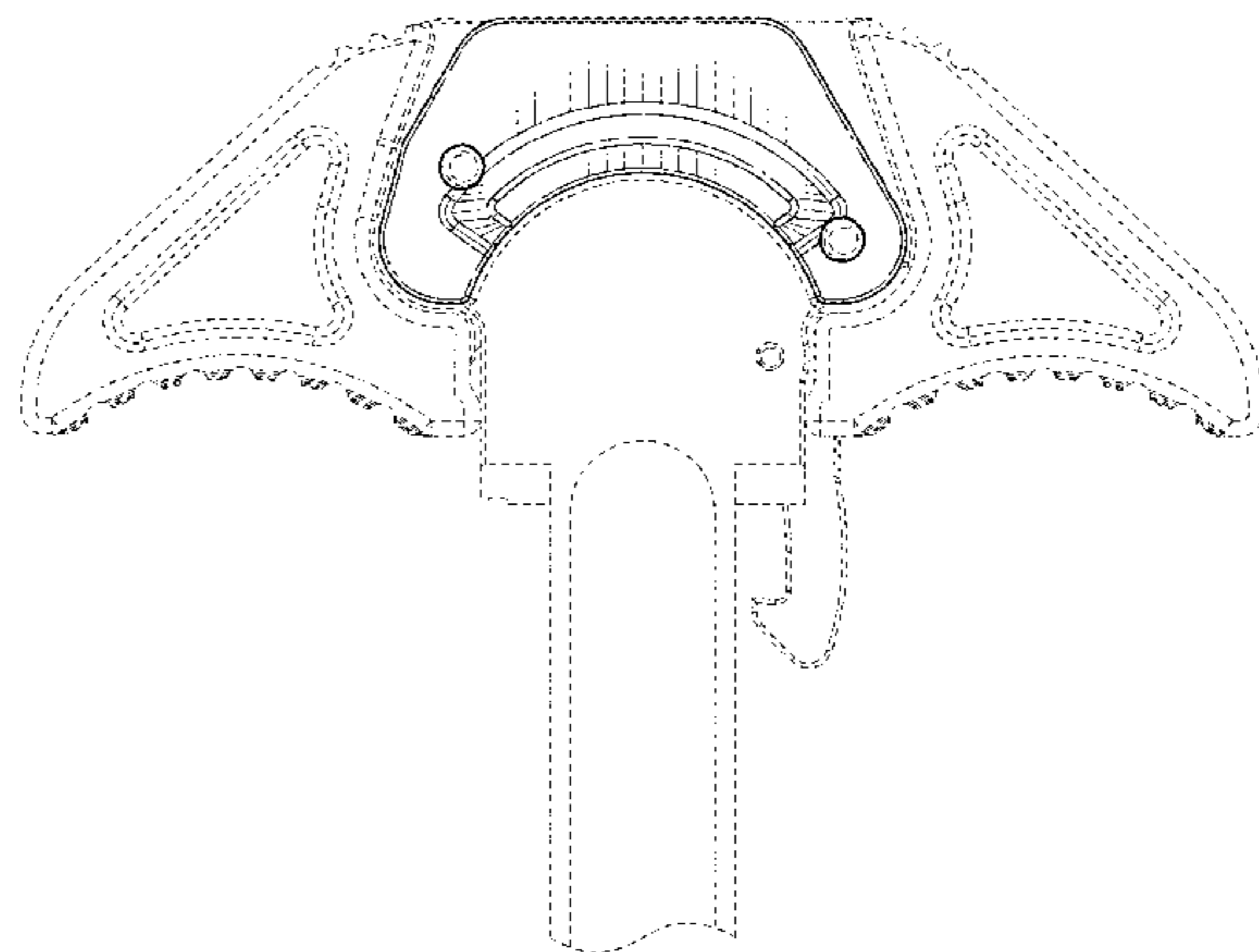
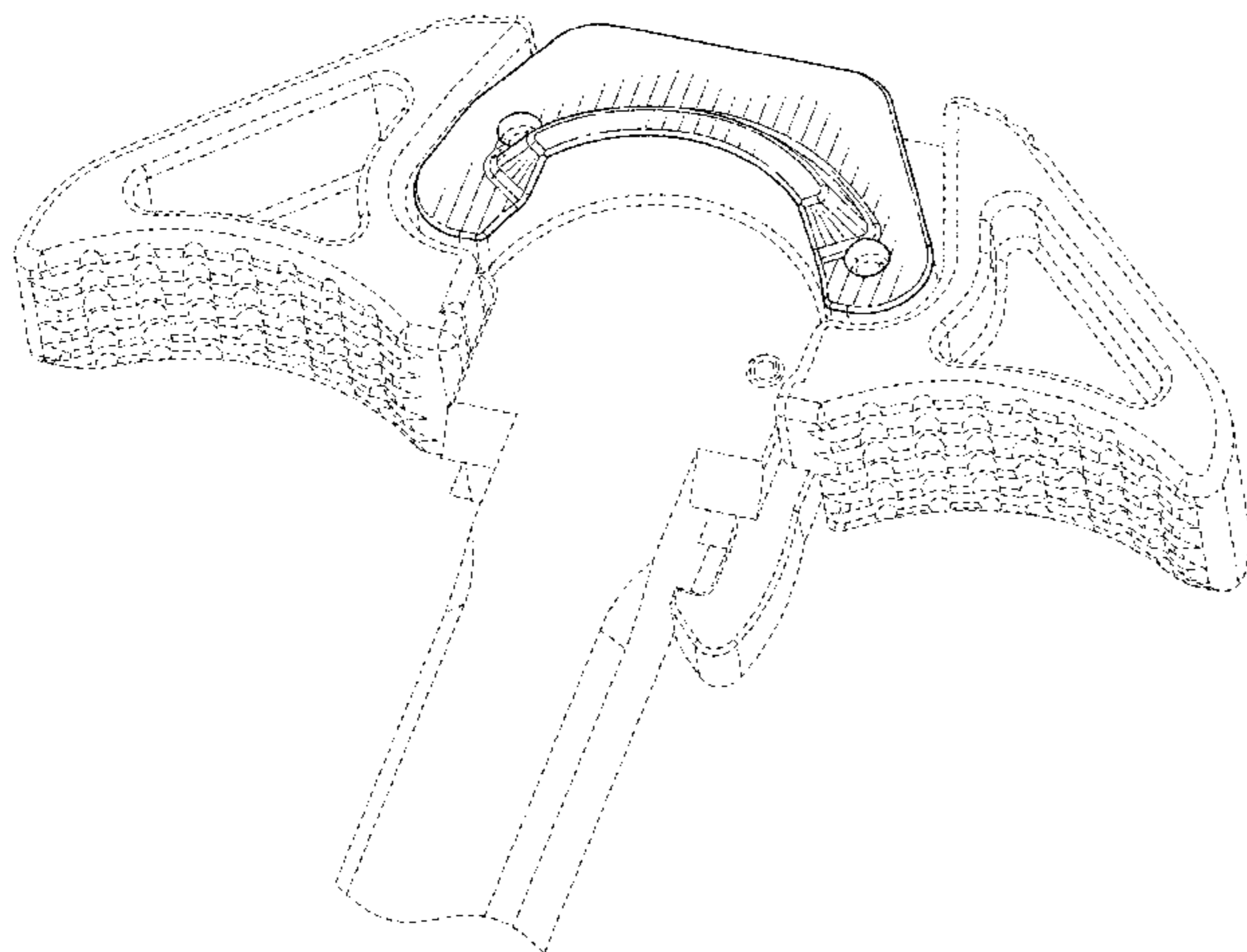
FIG. 6 is a left side view of a rear portion of the firearm charging handle of FIG. 1.

FIG. 7 is a rear view of a rear portion of the firearm charging handle of FIG. 1; and,

FIG. 8 is a front view of a rear portion of the firearm charging handle of FIG. 1.

The broken lines in the Figures are for illustrative purposes only and form no part of the claimed design.

**1 Claim, 4 Drawing Sheets**



(56)

References Cited

U.S. PATENT DOCUMENTS

8,336,436 B2 12/2012 Kincel  
8,356,537 B2\* 1/2013 Kincel ..... F41A 3/72  
42/16  
D694,354 S 11/2013 Underwood  
D705,383 S \* 5/2014 Montes ..... D22/108  
D705,384 S \* 5/2014 Underwood ..... D22/108  
8,820,210 B2\* 9/2014 Melville ..... F41A 7/00  
42/69.01  
8,863,632 B1\* 10/2014 O'Malley ..... F41A 3/72  
42/16  
8,960,066 B2 2/2015 Gomez  
D738,452 S \* 9/2015 Underwood ..... D22/108  
9,175,924 B1\* 11/2015 Williford ..... F41G 11/001  
D749,687 S \* 2/2016 Warensford ..... D22/108  
D772,369 S \* 11/2016 Geissele ..... D22/108  
D781,988 S \* 3/2017 Geissele ..... D22/108  
2009/0126249 A1\* 5/2009 Crommett ..... F41A 11/02  
42/71.01

2011/0005372 A1 1/2011 Kincel  
2013/0174457 A1\* 7/2013 Gangl ..... F41A 3/18  
42/16  
2014/0060293 A1\* 3/2014 Gomez ..... F41A 3/72  
89/1.4  
2014/0150639 A1\* 6/2014 Sugg ..... F41A 3/68  
89/193  
2016/0327372 A1\* 11/2016 Schrock ..... F41G 11/003

OTHER PUBLICATIONS

Highjack86, Rainier Arms Avalanche Ambi Charging Handle (Year: 2015).\*  
ar15news.com available at <http://www.ar15news.com/2015/05/16/sneak-peek-rainier-arms-avalanche-ambi-charqing-handle/> (May 22, 2015).  
Highjack86, Rainier Arms Avalanche Ambi Charging Handle (Jul. 16, 2015).

\* cited by examiner

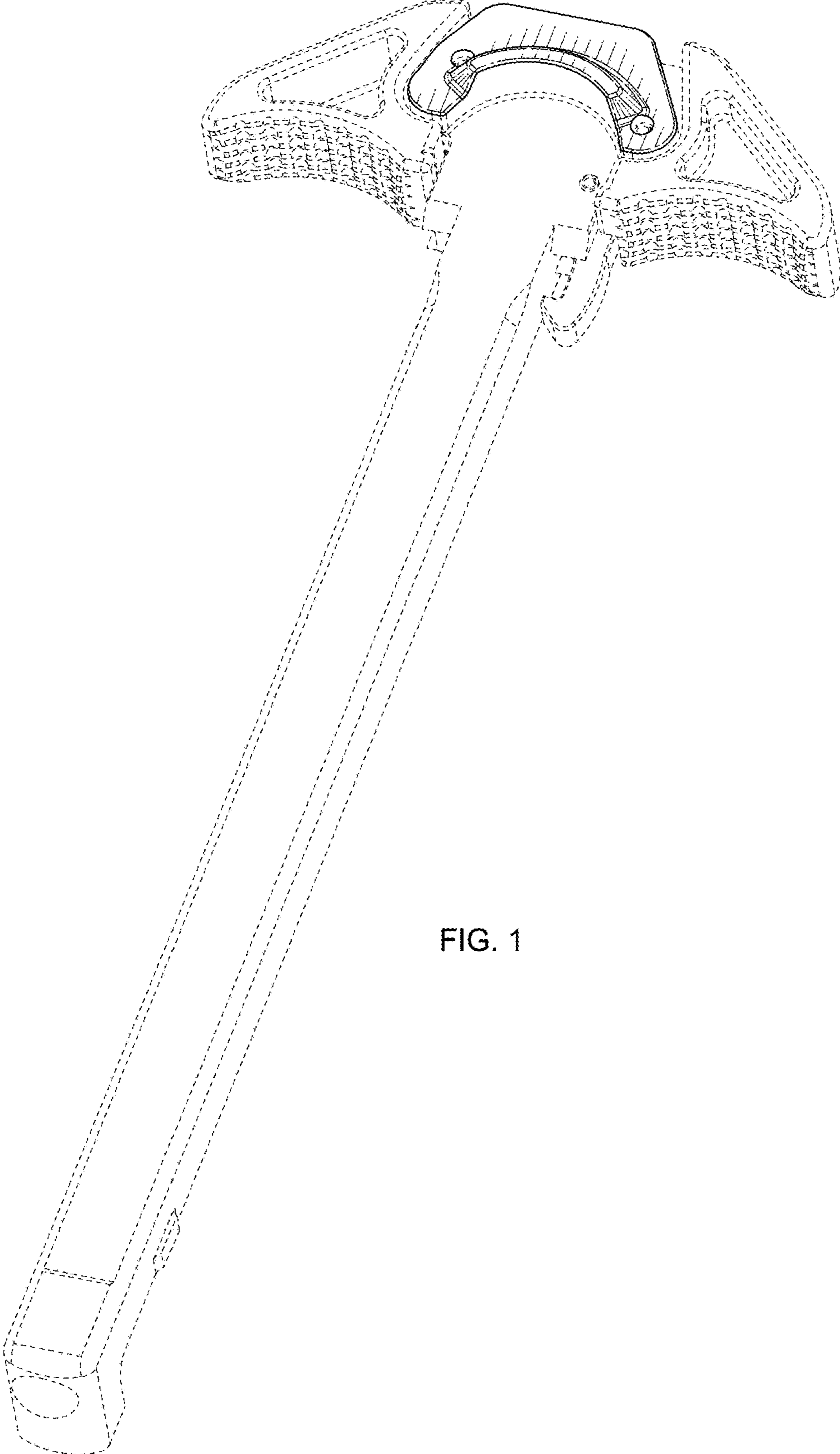


FIG. 1

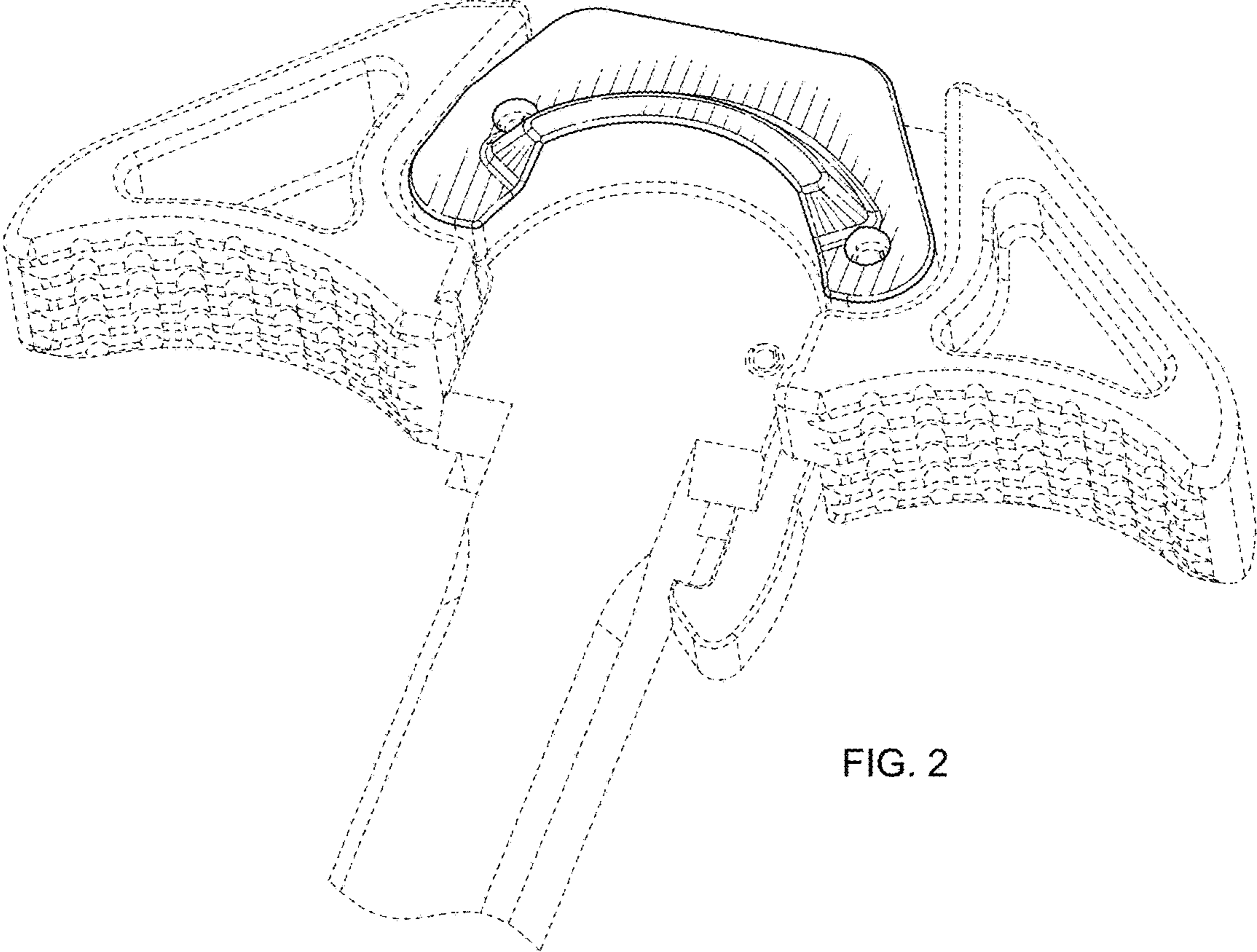


FIG. 2

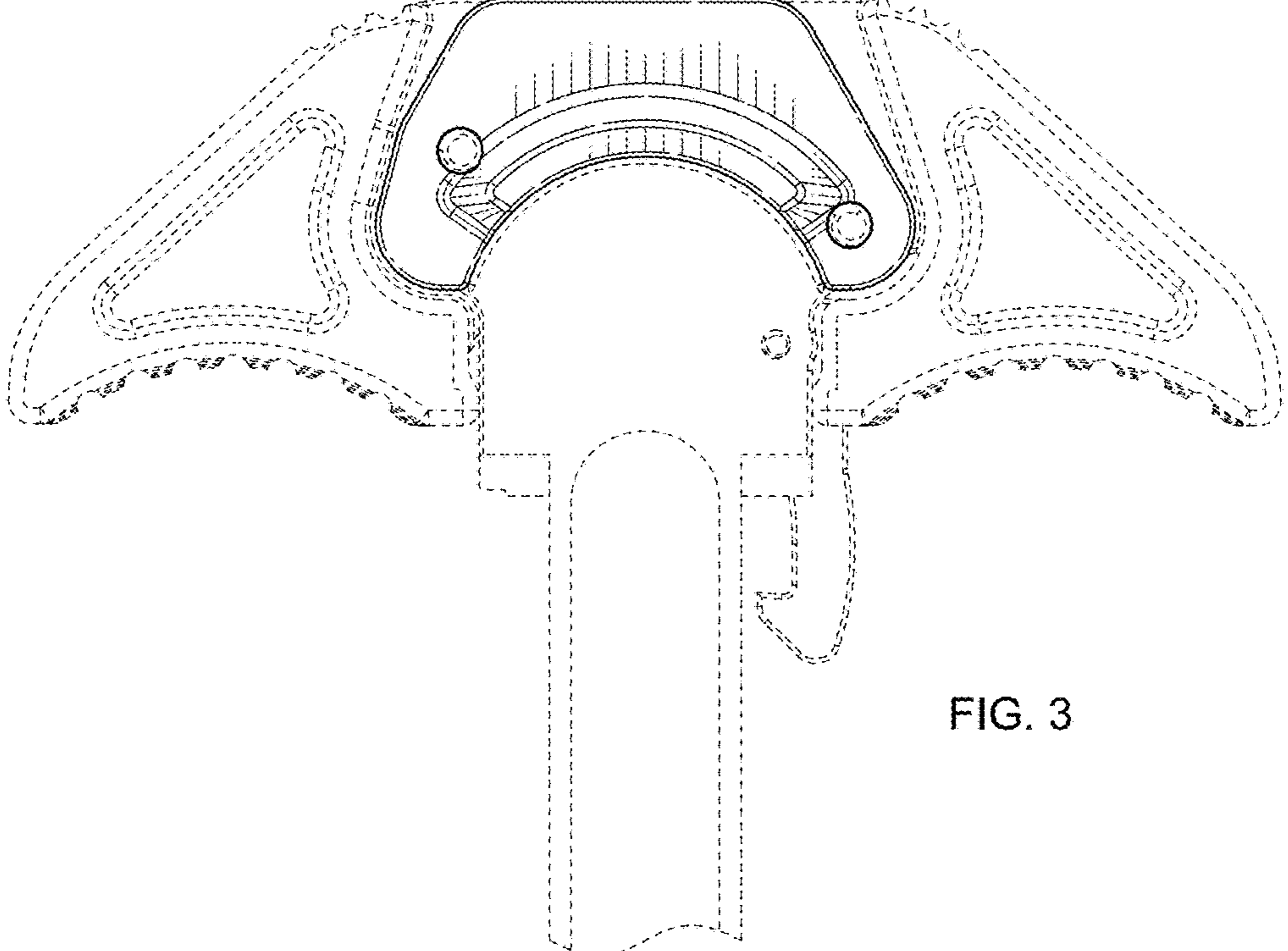


FIG. 3

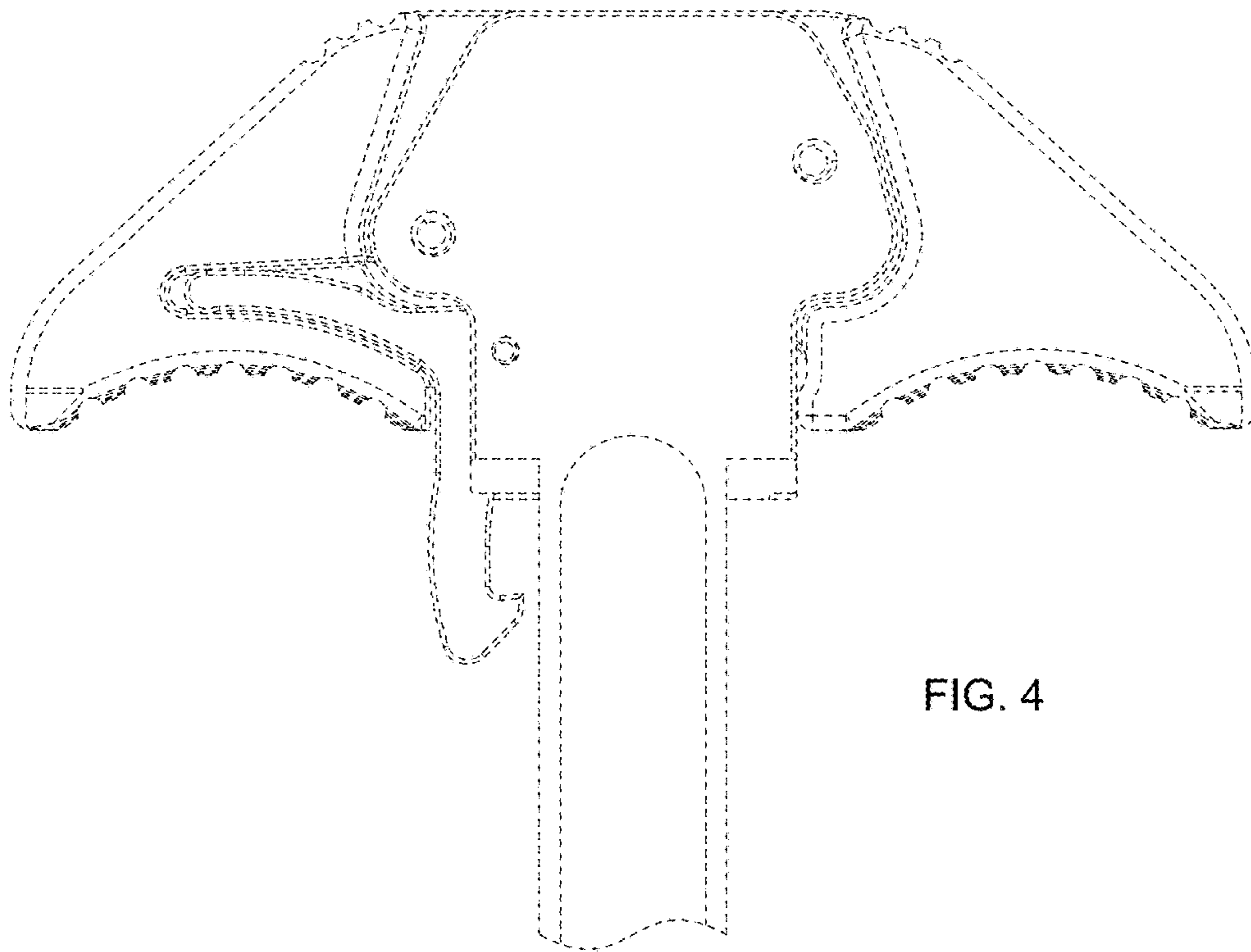


FIG. 4

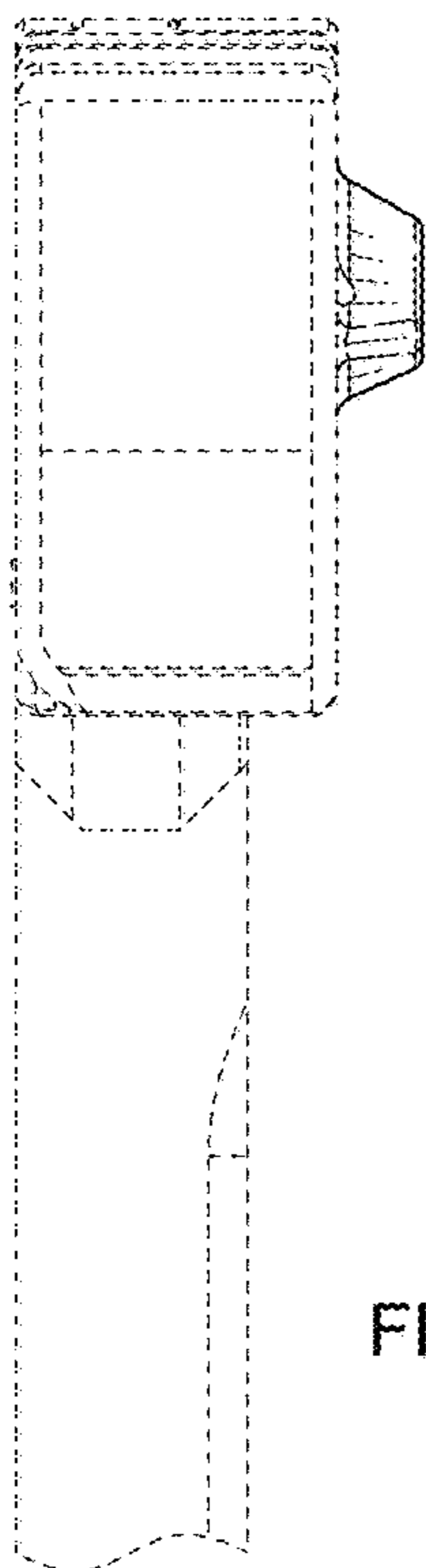


FIG. 5

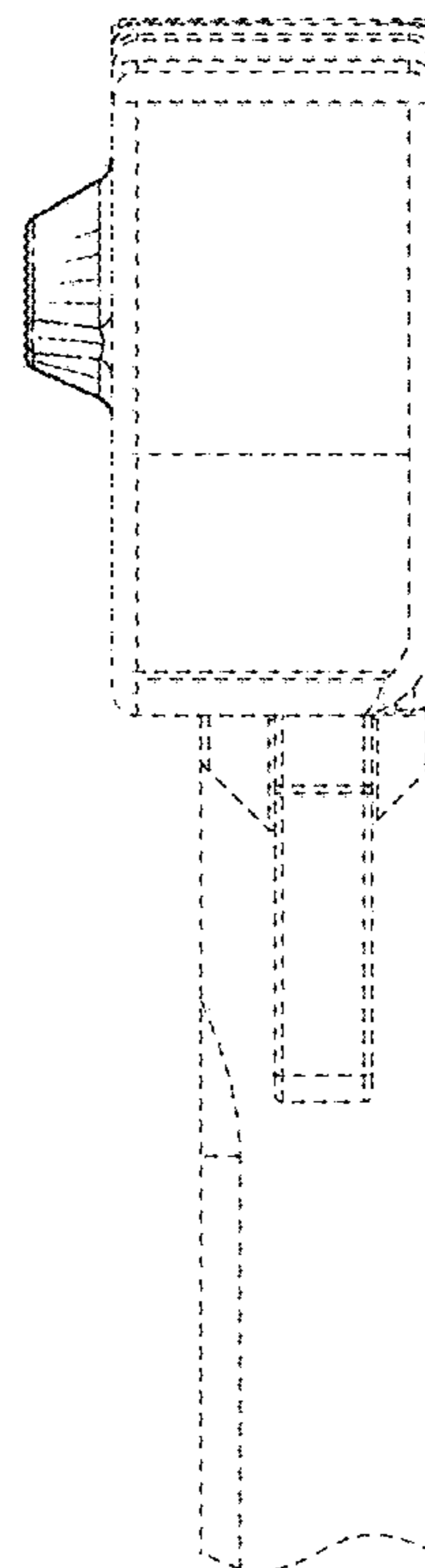


FIG. 6

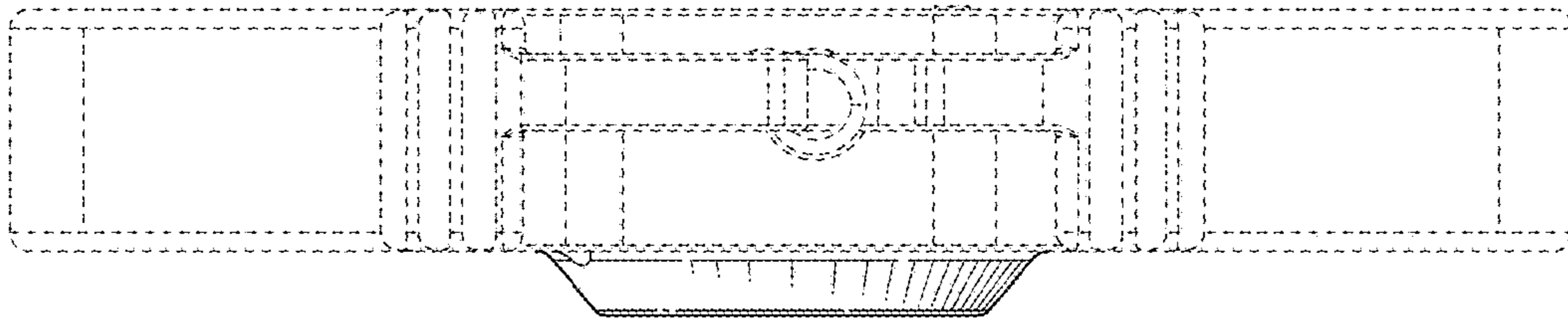


FIG. 7

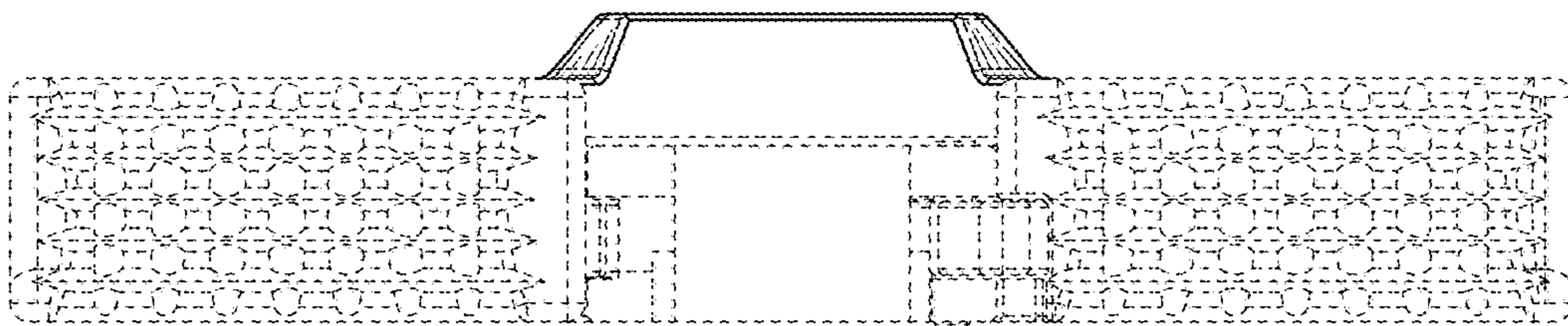


FIG. 8