



US00D865108S

(12) **United States Design Patent**  
**Geissele**

(10) **Patent No.:** **US D865,108 S**  
(45) **Date of Patent:** **\*\* Oct. 29, 2019**

- (54) **FIREARM CHARGING HANDLE**
- (71) Applicant: **WHG Properties, LLC**, North Wales, PA (US)
- (72) Inventor: **William H. Geissele**, Lower Gwynedd, PA (US)
- (73) Assignee: **WHG Properties, LLC**, North Wales, PA (US)
- (\*\*) Term: **15 Years**
- (21) Appl. No.: **29/624,983**
- (22) Filed: **Nov. 6, 2017**

**Related U.S. Application Data**

- (62) Division of application No. 29/563,382, filed on May 4, 2016, now Pat. No. Des. 805,598.
- (51) **LOC (12) Cl.** ..... **22-01**
- (52) **U.S. Cl.**  
USPC ..... **D22/108**
- (58) **Field of Classification Search**  
USPC ..... D22/108  
CPC ..... F41A 3/72  
See application file for complete search history.

(56) **References Cited**

**U.S. PATENT DOCUMENTS**

- 5,726,377 A \* 3/1998 Harris ..... F41A 19/14  
42/65
- 6,968,642 B1 \* 11/2005 Leung ..... F41C 23/16  
30/162
- 7,240,600 B1 7/2007 Bordson
- D614,718 S \* 4/2010 Hoel ..... D22/108
- 7,707,921 B1 \* 5/2010 Hoel ..... F41A 35/06  
42/16
- 7,832,322 B1 \* 11/2010 Hoel ..... F41A 35/06  
42/16
- 7,861,635 B1 \* 1/2011 Hoel ..... F41A 35/06  
42/16

- 7,900,546 B2 3/2011 Bordson
- 8,104,393 B2 \* 1/2012 Kincel ..... F41A 3/72  
42/16
- 8,261,649 B2 9/2012 Fitzpatrick  
(Continued)

**OTHER PUBLICATIONS**

httpwww.ar15news.com20150516sneak-peek-rainier-arms-avalanche-ambi-charging-handle (Year: 2015).\*  
(Continued)

*Primary Examiner* — Michael A. Pratt  
(74) *Attorney, Agent, or Firm* — Fox Rothschild LLP

(57) **CLAIM**

The ornamental design for a firearm charging handle, as shown and described.

**DESCRIPTION**

FIG. 1 is a bottom, front, right side perspective view of a firearm charging handle in accordance with the present disclosure.

FIG. 2 is a bottom, front, right side perspective view of a rear portion of the firearm charging handle of FIG. 1.

FIG. 3 is a top view of a rear portion of the firearm charging handle of FIG. 1.

FIG. 4 is a bottom view of a rear portion of the firearm charging handle of FIG. 1.

FIG. 5 is a right side view of a rear portion of the firearm charging handle of FIG. 1.

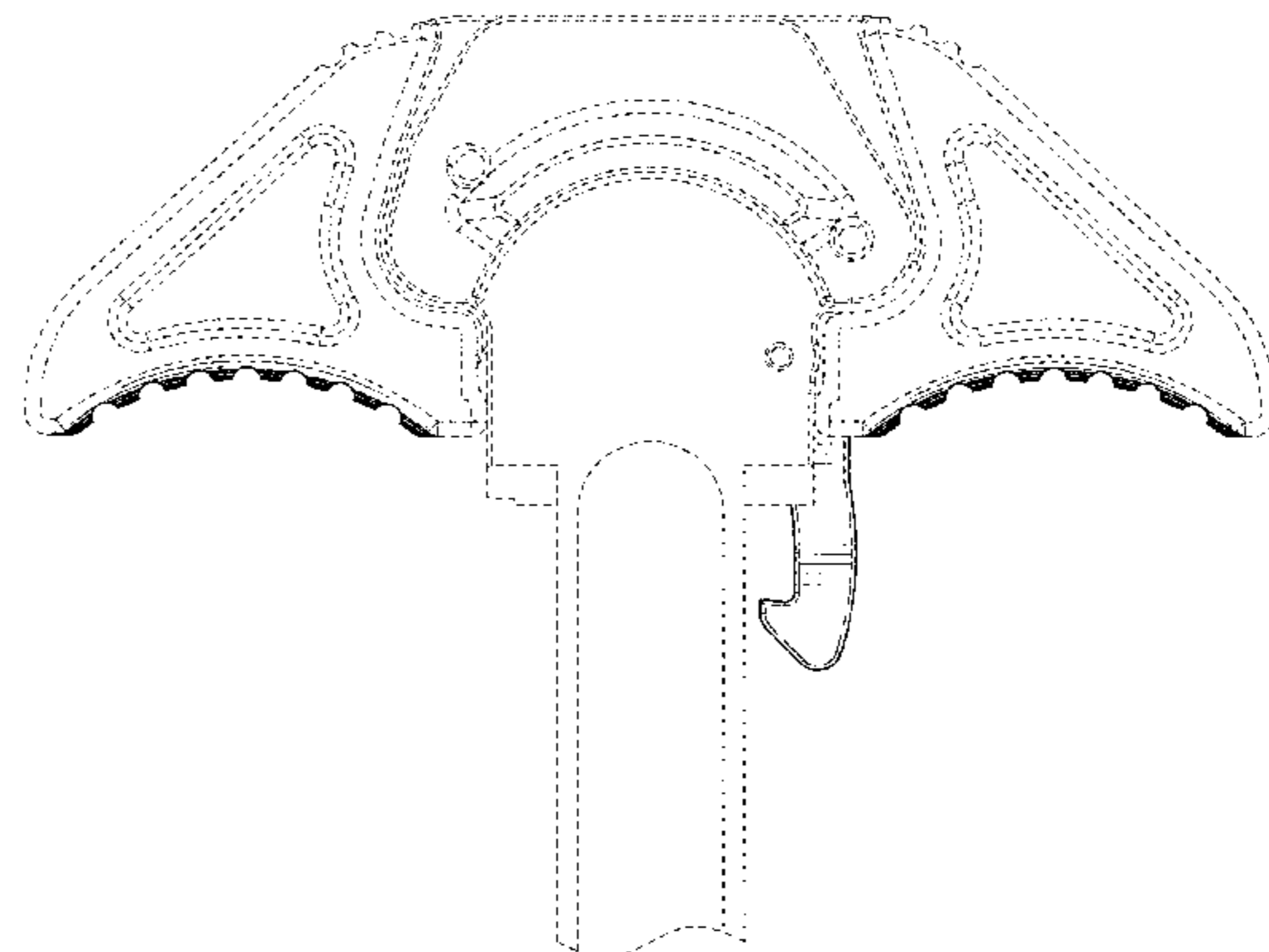
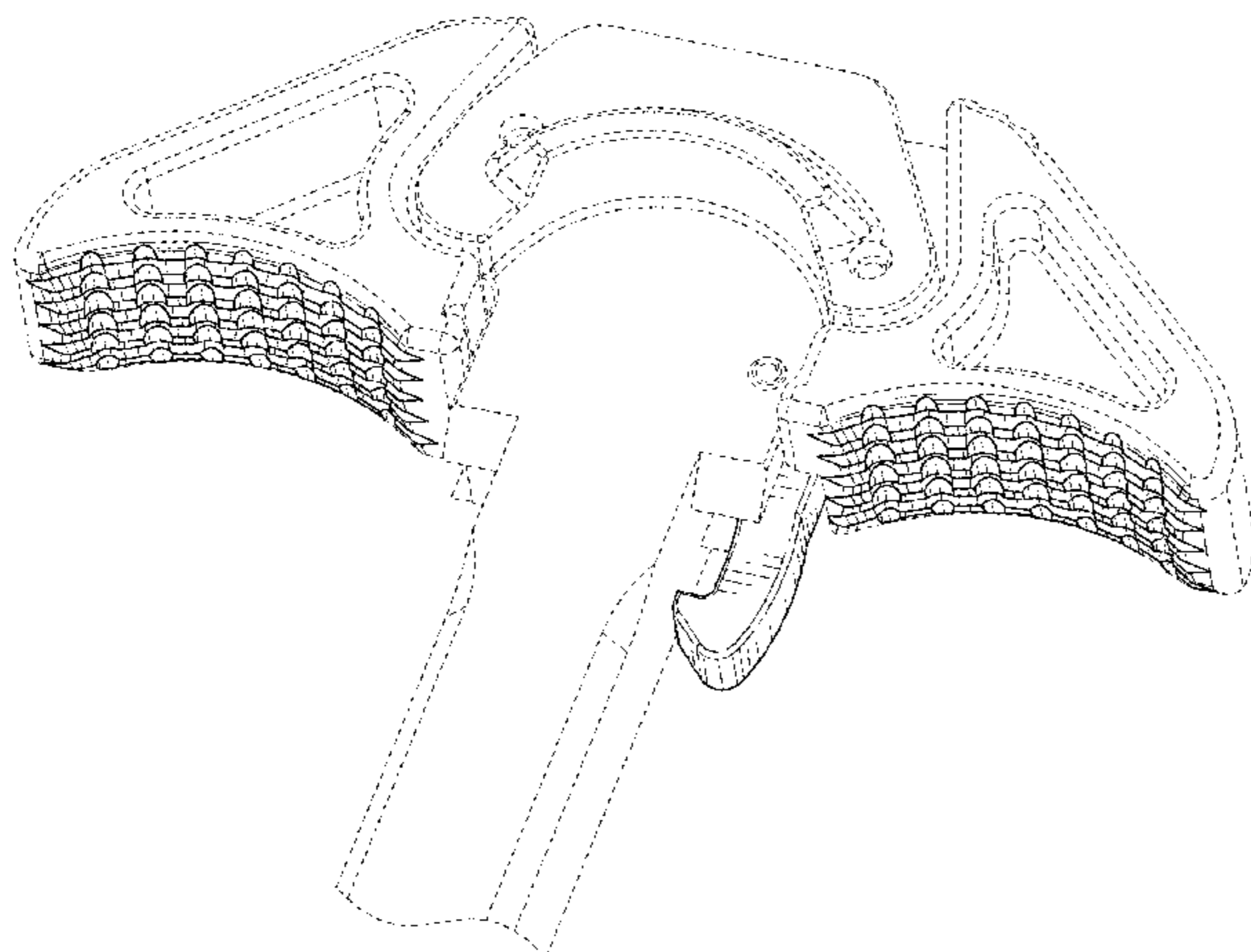
FIG. 6 is left side view of a rear portion of the firearm charging handle of FIG. 1.

FIG. 7 is a rear view of a rear portion of the firearm charging handle of FIG. 1; and,

FIG. 8 is a front view of a rear portion of the firearm charging handle of FIG. 1.

The broken lines in the Figures are for illustrative purposes only and form no part of the claimed design.

**1 Claim, 4 Drawing Sheets**



(56)

**References Cited**

U.S. PATENT DOCUMENTS

8,336,436	B2	12/2012	Kincel	
8,356,537	B2 *	1/2013	Kincel	..... F41A 3/72 42/16
D694,354	S	11/2013	Underwood	
D705,383	S *	5/2014	Montes	..... D22/108
D705,384	S *	5/2014	Underwood	..... D22/108
8,820,210	B2 *	9/2014	Melville	..... F41A 7/00 42/69.01
8,863,632	B1 *	10/2014	O'Malley	..... F41A 3/72 42/16
8,960,066	B2	2/2015	Gomez	
D738,452	S *	9/2015	Underwood	..... D22/108
9,175,924	B1 *	11/2015	Williford	..... F41G 11/001
D749,687	S *	2/2016	Warensford	..... D22/108
D772,369	S *	11/2016	Geissele	..... D22/108
D781,988	S *	3/2017	Geissele	..... D22/108
2009/0126249	A1 *	5/2009	Crommett	..... F41A 11/02 42/71.01
2011/0005372	A1	1/2011	Kincel	
2013/0174457	A1 *	7/2013	Gangl	..... F41A 3/18 42/16
2014/0060293	A1 *	3/2014	Gomez	..... F41A 3/72 89/1.4
2014/0150639	A1 *	6/2014	Sugg	..... F41A 3/68 89/193
2016/0327372	A1 *	11/2016	Schrock	..... F41G 11/003

OTHER PUBLICATIONS

Highjack86, Rainier Arms Avalanche Ambi Charging Handle (Year: 2015).\*

\* cited by examiner

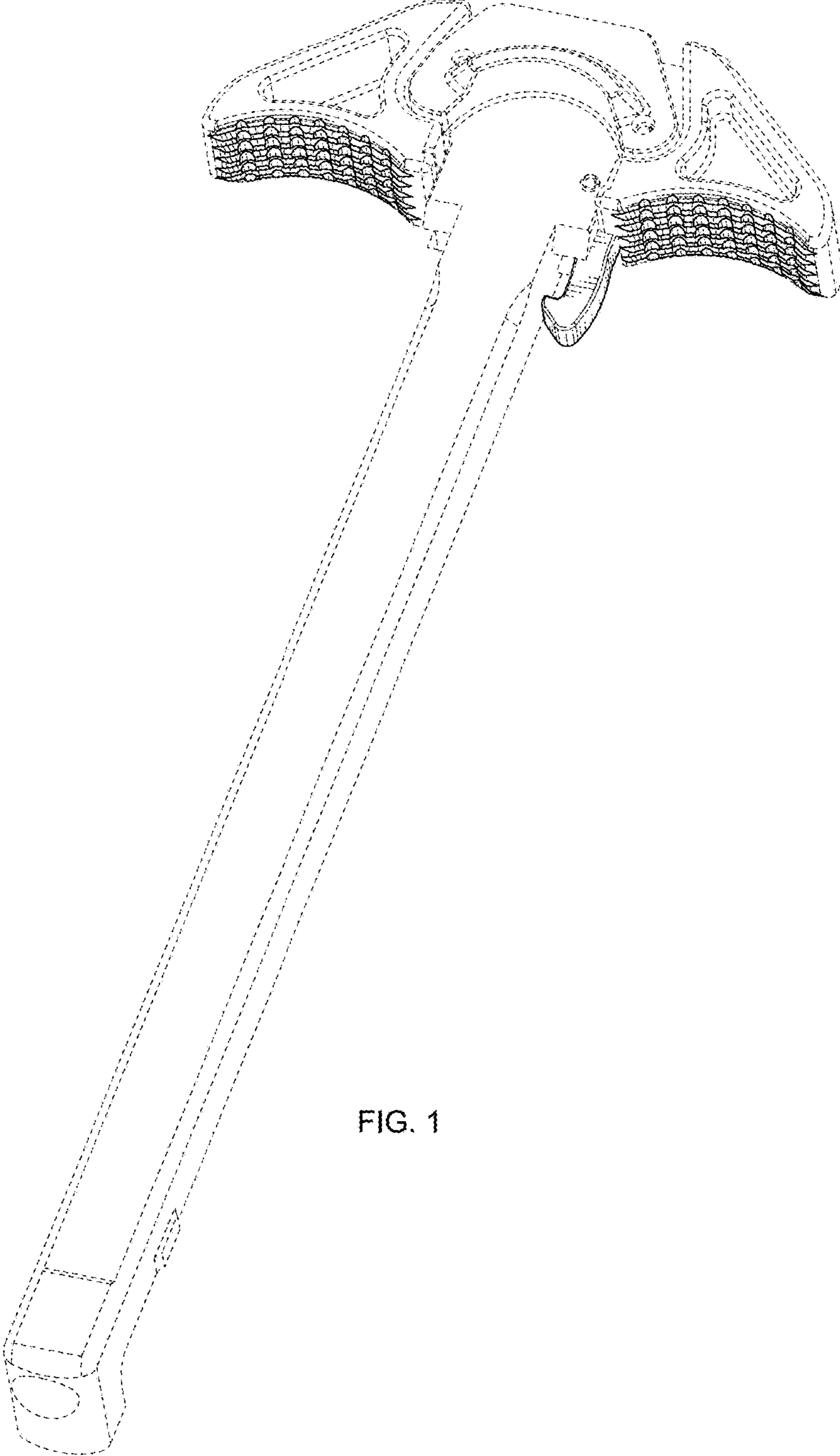


FIG. 1

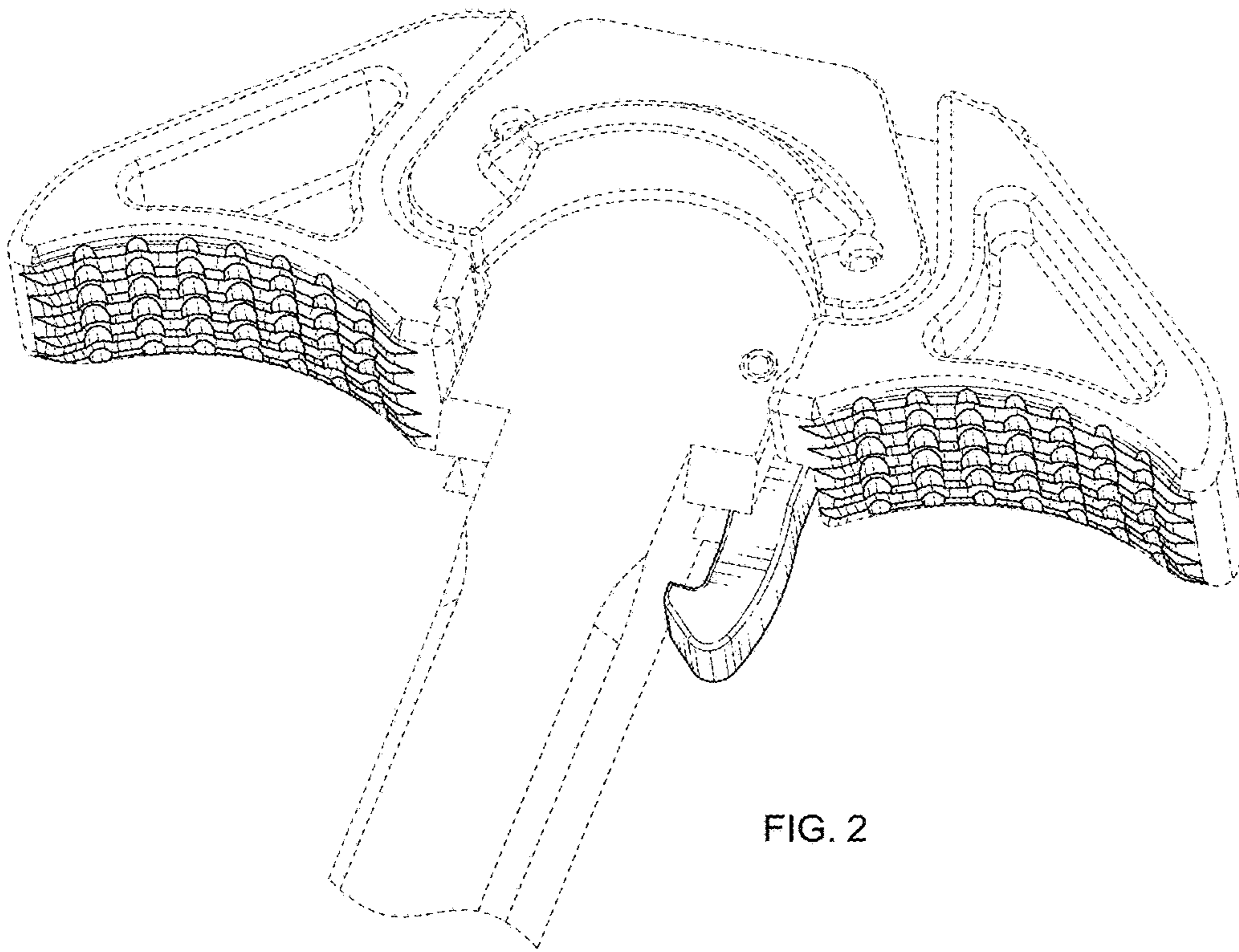


FIG. 2

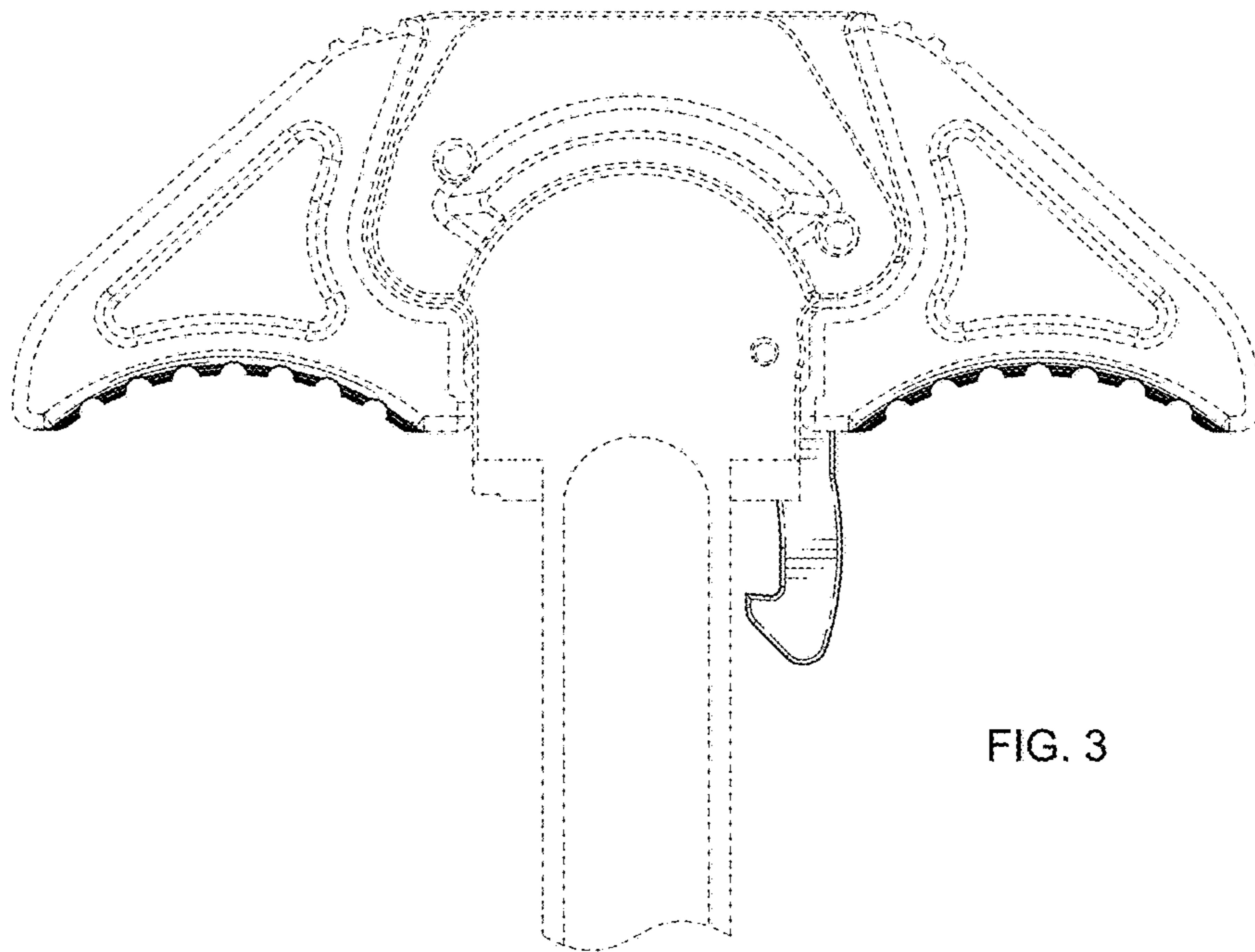


FIG. 3

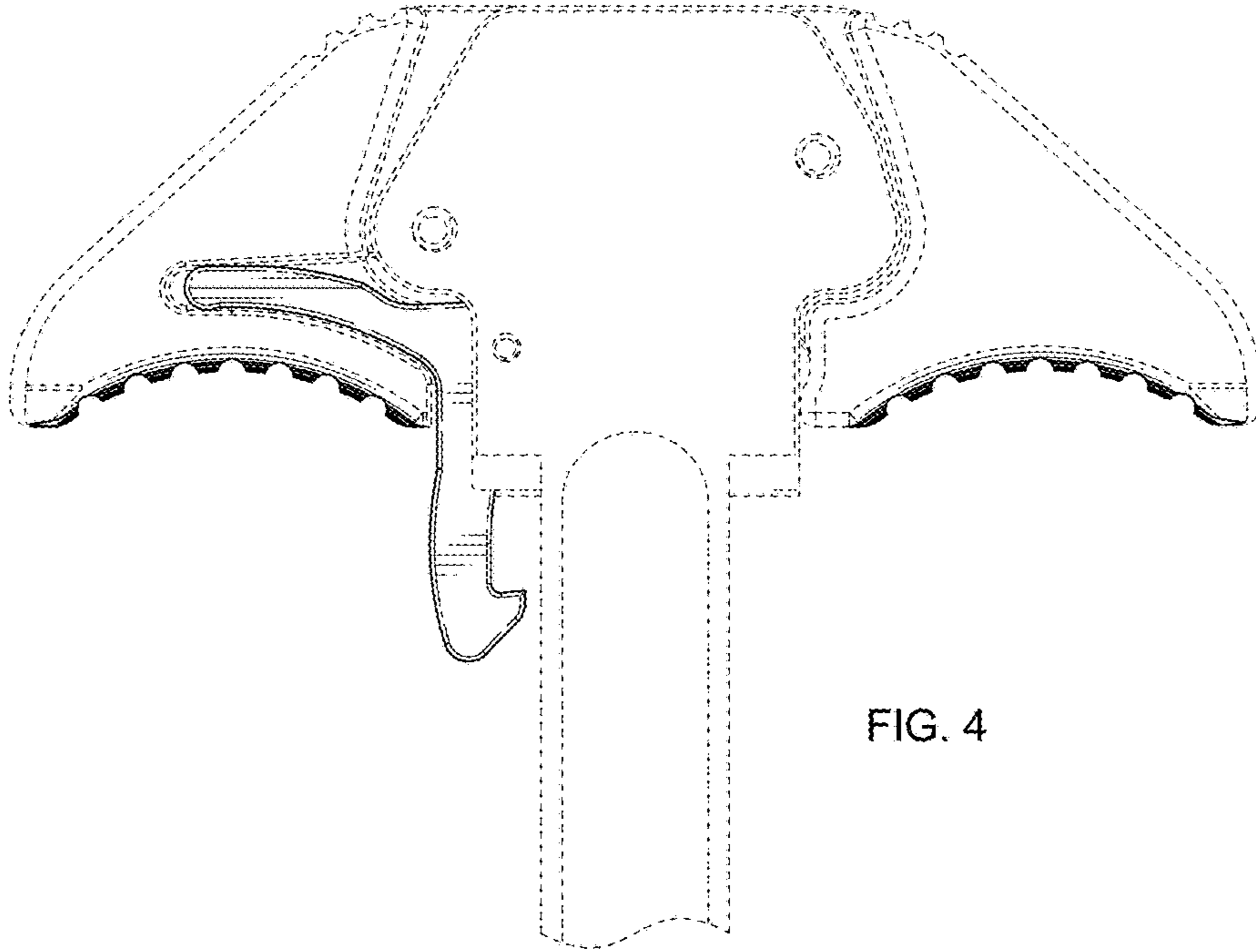


FIG. 4

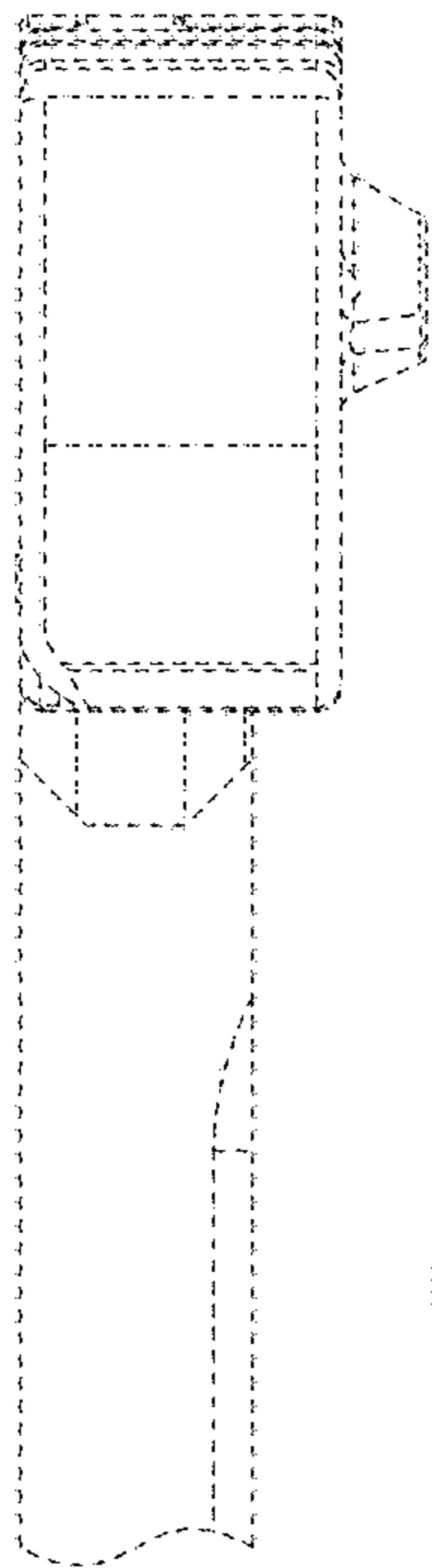


FIG. 5

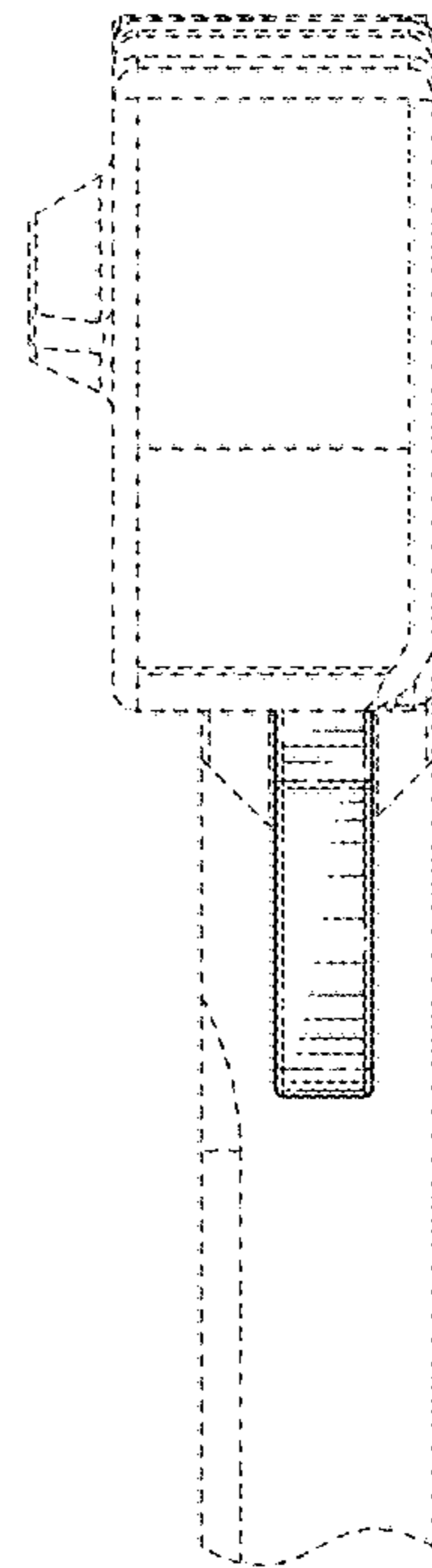


FIG. 6

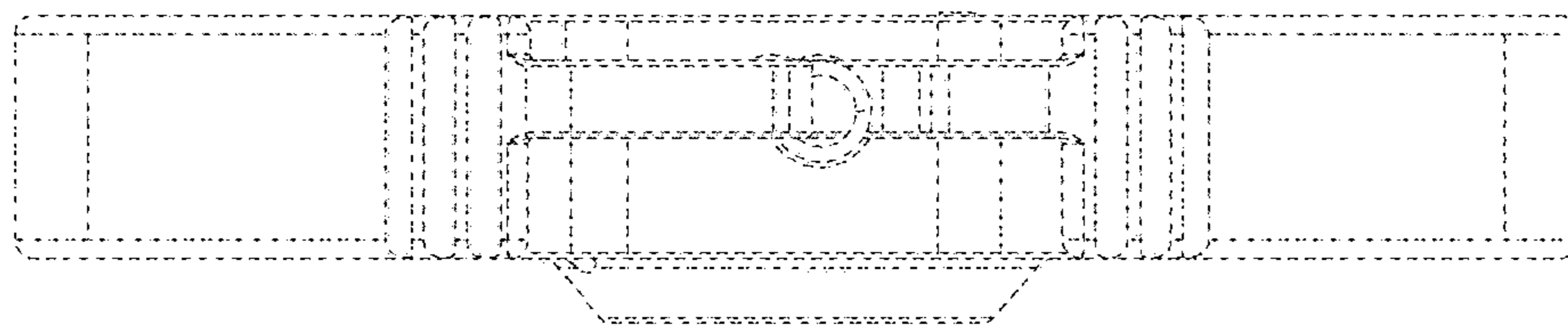


FIG. 7

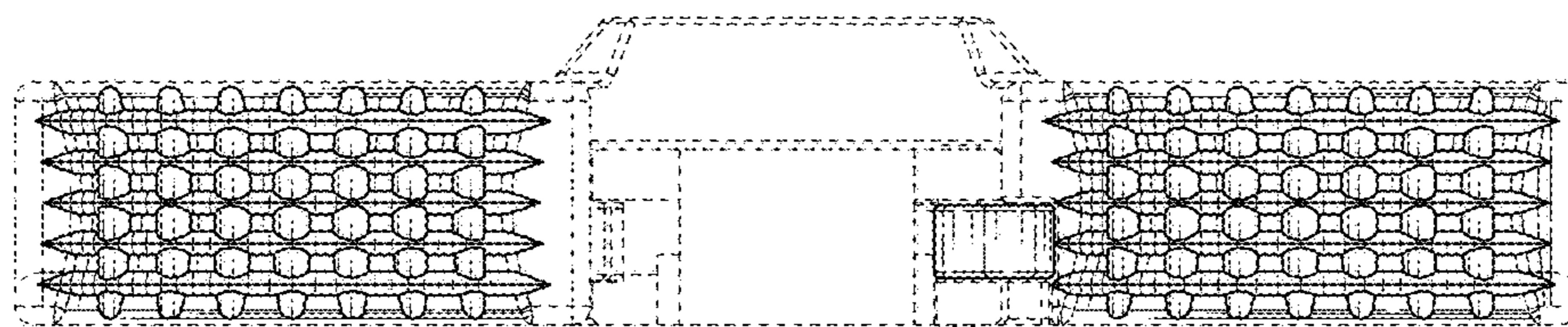


FIG. 8