



US00D865107S

(12) **United States Design Patent** (10) **Patent No.:** **US D865,107 S**
Batten (45) **Date of Patent:** **** Oct. 29, 2019**

(54) **INFRARED FIREARM SIGHT CAMERA ATTACHMENT**

(71) Applicant: **Guneye, LLC**, Palm Bay, FL (US)

(72) Inventor: **William Batten**, Palm Bay, FL (US)

(73) Assignee: **Guneye, LLC**, Palm Bay, FL (US)

(**) Term: **15 Years**

(21) Appl. No.: **29/624,273**

(22) Filed: **Oct. 31, 2017**

(51) **LOC (12) Cl.** **22-01**

(52) **U.S. Cl.**
USPC **D22/108**

(58) **Field of Classification Search**
USPC D22/100, 101, 103, 106, 108, 109, 110,
D22/111, 117, 199; D21/300, 301, 570,
D21/573, 574, 575
CPC F41B 5/14; F41B 5/00; F41C 27/00; F41C
23/14; F41C 23/06; F41C 3/00; F41C
7/00; F41C 23/20; F41C 23/08; F41C
23/10; F41G 11/003; F41G 1/18; F41G
1/38; F41G 1/545

See application file for complete search history.

(56) **References Cited**

U.S. PATENT DOCUMENTS

5,584,137	A *	12/1996	Teetzel	F41A 9/62 362/114
5,711,104	A	1/1998	Schmitz		
5,834,676	A	11/1998	Elliott		
7,255,035	B2	8/2007	Mowers		
D612,756	S *	3/2010	D'Amelio	D10/70
8,234,968	B2	8/2012	Hodge		
8,256,153	B1	9/2012	Noha		
D729,339	S *	5/2015	Chavez	D22/109
D737,399	S *	8/2015	Cheng	D22/109
D738,455	S *	9/2015	Homem de Mello Anderson	D22/109
D742,991	S *	11/2015	Klecker	D22/109

D749,184	S *	2/2016	Sakiewicz	D22/108
D749,689	S *	2/2016	Cheng	D22/109
D755,340	S *	5/2016	Essig	D22/109
9,335,109	B2	5/2016	Bensayan		
D763,399	S *	8/2016	Anderson	D22/109
9,591,255	B2 *	3/2017	Sakiewicz	H04N 5/772
D796,622	S *	9/2017	Sharrah	D22/109
D800,864	S *	10/2017	Hartley	D22/109

(Continued)

OTHER PUBLICATIONS

https://www.exporttimes.com/products/LASERSPEED-LS-CL3-IR-Infrared-Laser_10567.html—Retrieved on Jul. 18, 2018.*

(Continued)

Primary Examiner — Khawaja Anwar
Assistant Examiner — Mojtaba Tehrani

(74) *Attorney, Agent, or Firm* — Brian S. Steinberger;
Hilary F. Steinberger; Law Offices of Brian S.
Steinberger, P.A.

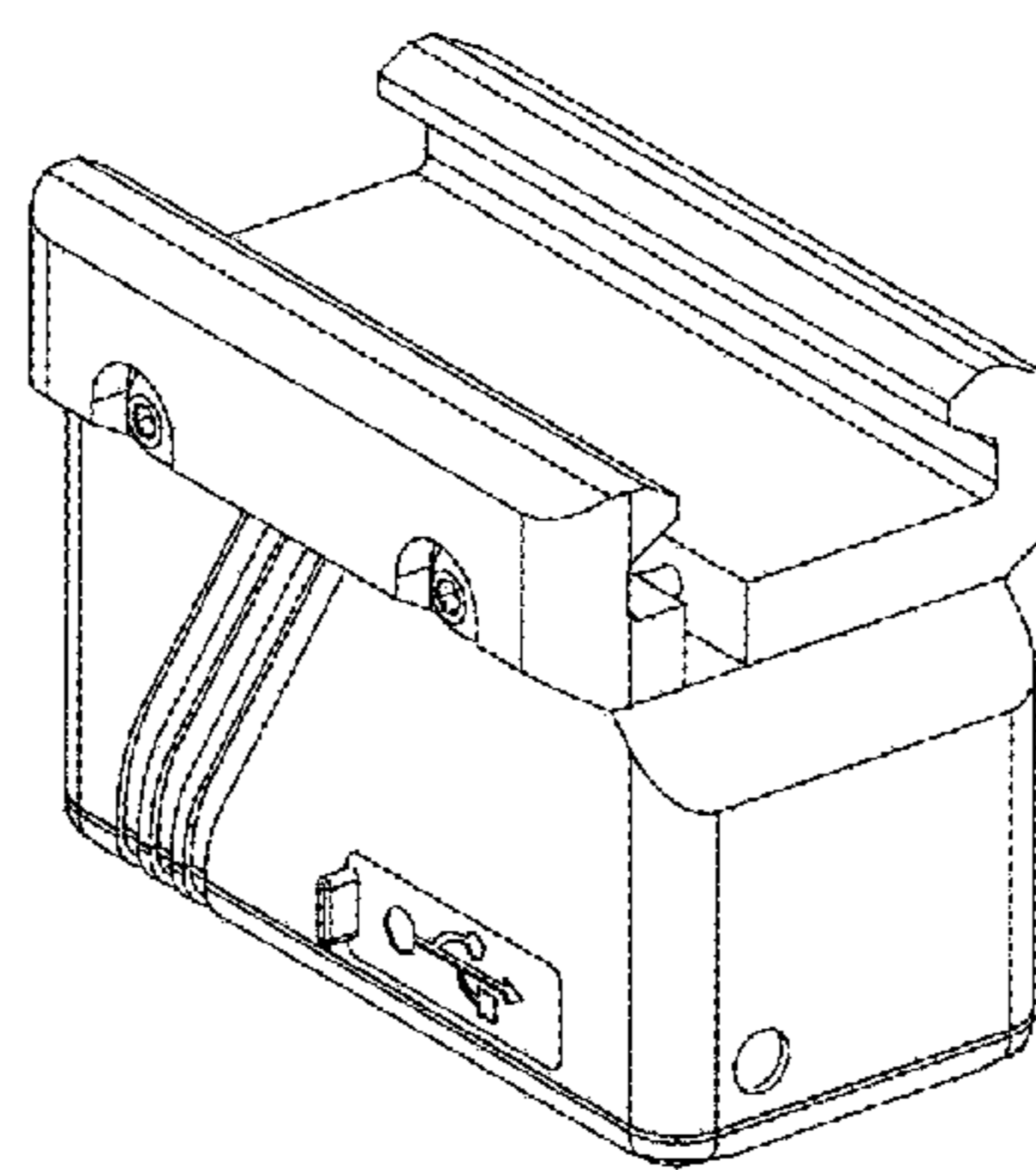
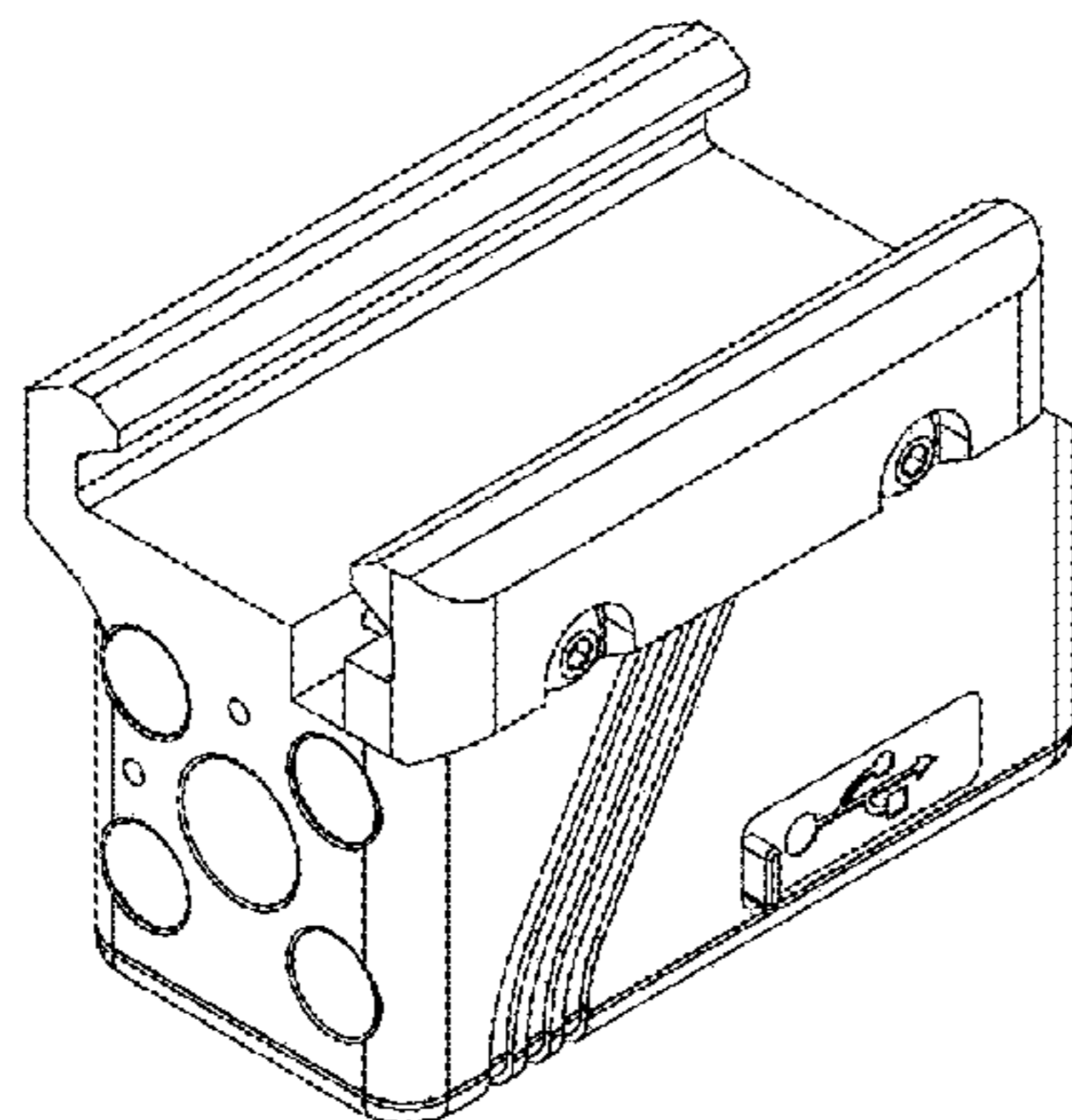
(57) **CLAIM**

The ornamental design for an infrared firearm sight camera attachment, as shown and described.

DESCRIPTION

FIG. 1 is an upper front right perspective view of an infrared firearm sight camera attachment, showing my new design; FIG. 2 is a lower front right perspective view thereof; FIG. 3 is an upper rear right perspective view thereof; FIG. 4 is a lower rear left perspective view thereof; FIG. 5 is a left side view thereof; FIG. 6 is a right side view thereof; FIG. 7 is a front end view thereof; FIG. 8 is a rear end view thereof; FIG. 9 is a top view thereof; and, FIG. 10 is a bottom view thereof.

1 Claim, 5 Drawing Sheets



(56)

References Cited

U.S. PATENT DOCUMENTS

9,810,411 B2 * 11/2017 Galli F21V 23/0414
 2007/0039226 A1 * 2/2007 Stokes F41C 23/16
 42/146
 2007/0180752 A1 * 8/2007 Houde-Walter F41G 1/35
 42/114
 2008/0034954 A1 2/2008 Grober
 2008/0092421 A1 * 4/2008 Beckmann F41G 11/003
 42/90
 2009/0122527 A1 * 5/2009 Galli F41G 1/35
 362/110
 2010/0176741 A1 * 7/2010 Sharrah F21V 21/0885
 315/291
 2010/0258000 A1 10/2010 Hagerty
 2011/0035984 A1 2/2011 Liu
 2014/0230306 A1 8/2014 Arachequesne
 2014/0360078 A1 12/2014 Arachequesne
 2015/0276352 A1 * 10/2015 Chang F41G 11/003
 42/114
 2015/0362276 A1 * 12/2015 Fischer F41G 11/003
 89/14.4
 2015/0369554 A1 * 12/2015 Kramer F41A 17/063
 386/227
 2016/0047626 A1 2/2016 Kremer
 2016/0209167 A1 * 7/2016 Wells F41C 27/00

2017/0059265 A1 * 3/2017 Winter F41A 17/08
 2017/0138701 A1 * 5/2017 Kowalczyk, Jr. F41G 11/003
 2018/0023910 A1 * 1/2018 Kramer F41A 17/063
 386/227
 2018/0087876 A1 * 3/2018 Galli F41G 1/35
 2018/0094900 A1 * 4/2018 Sharrah F41G 1/35

OTHER PUBLICATIONS

https://www.grainger.com/category/laser-sights/security-management-and-law-enforcement/security/ecatalog/N-nqu?cm_sp=Product_Details--Categories_Based_on_Your_Search--IDPPLACAT—Retrieved on Jul. 18, 2018.*
 Weaponeye, a Witness When You Need It the Most, HD Camera—Laser Sight—Flashlight, retrieved from <https://weaponeye.com>, retrieved on Nov. 22, 2016, 25 pages.
 GunCam Shooting Sports, Sports Shooting Packages, retrieved from <http://www.tachyoninc.com/sportshooting.html>, retrieved on Nov. 22, 2016, 21 pages.
 Batten, W., Utility U.S. Appl. No. 15/802,157, filed Nov. 2, 2017, Office Action Summary dated Jun. 4, 2018, 12 pages.
 Thomas Investigative Publications, Inc., Wireless GunCam With Laser Sight, Apr. 13, 2008, retrieved from <https://web.archive.org/web/20080413032021/http://www.pimall.com/mais/guncam.html>, 4 pages.

* cited by examiner

FIG. 1

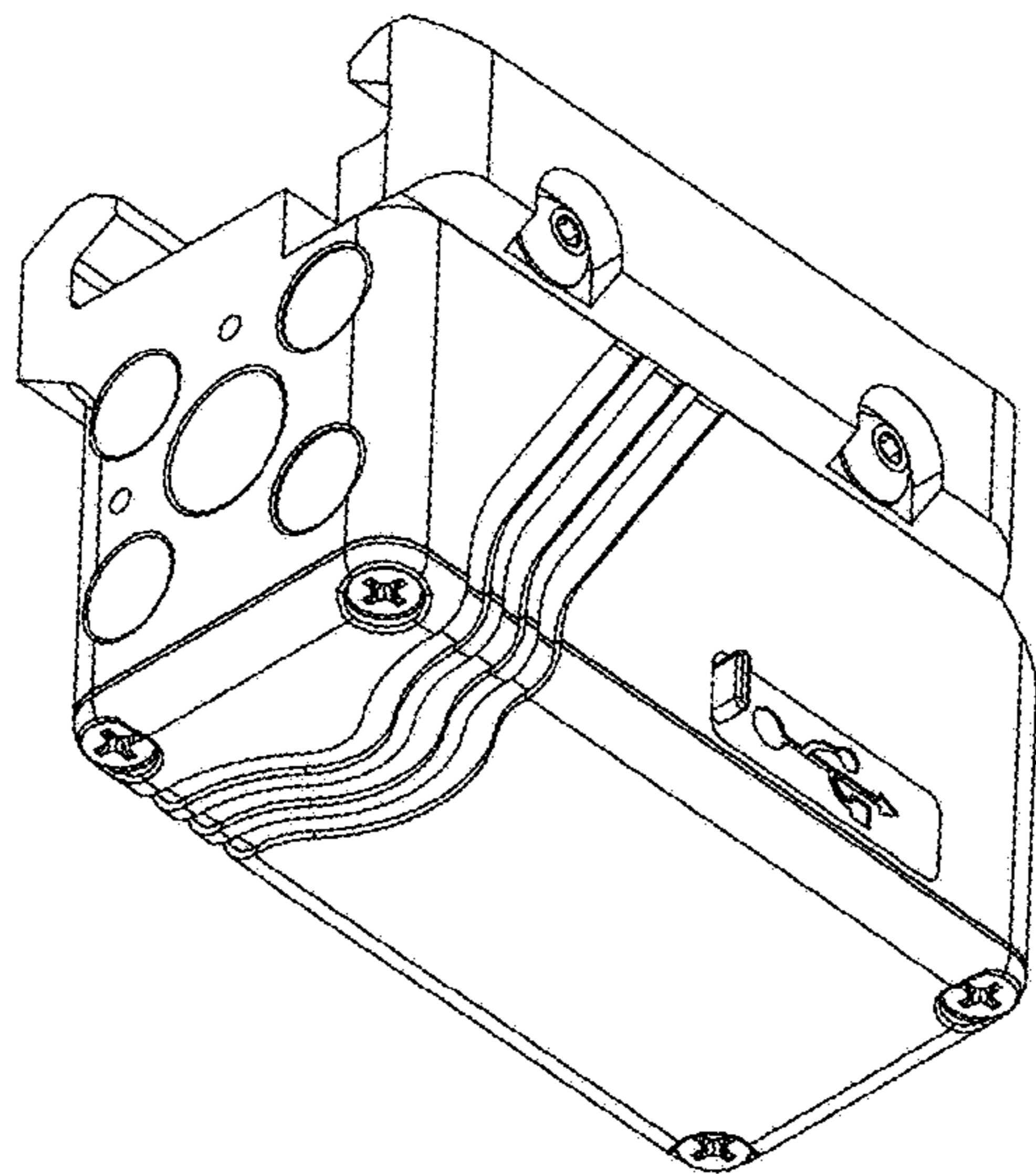
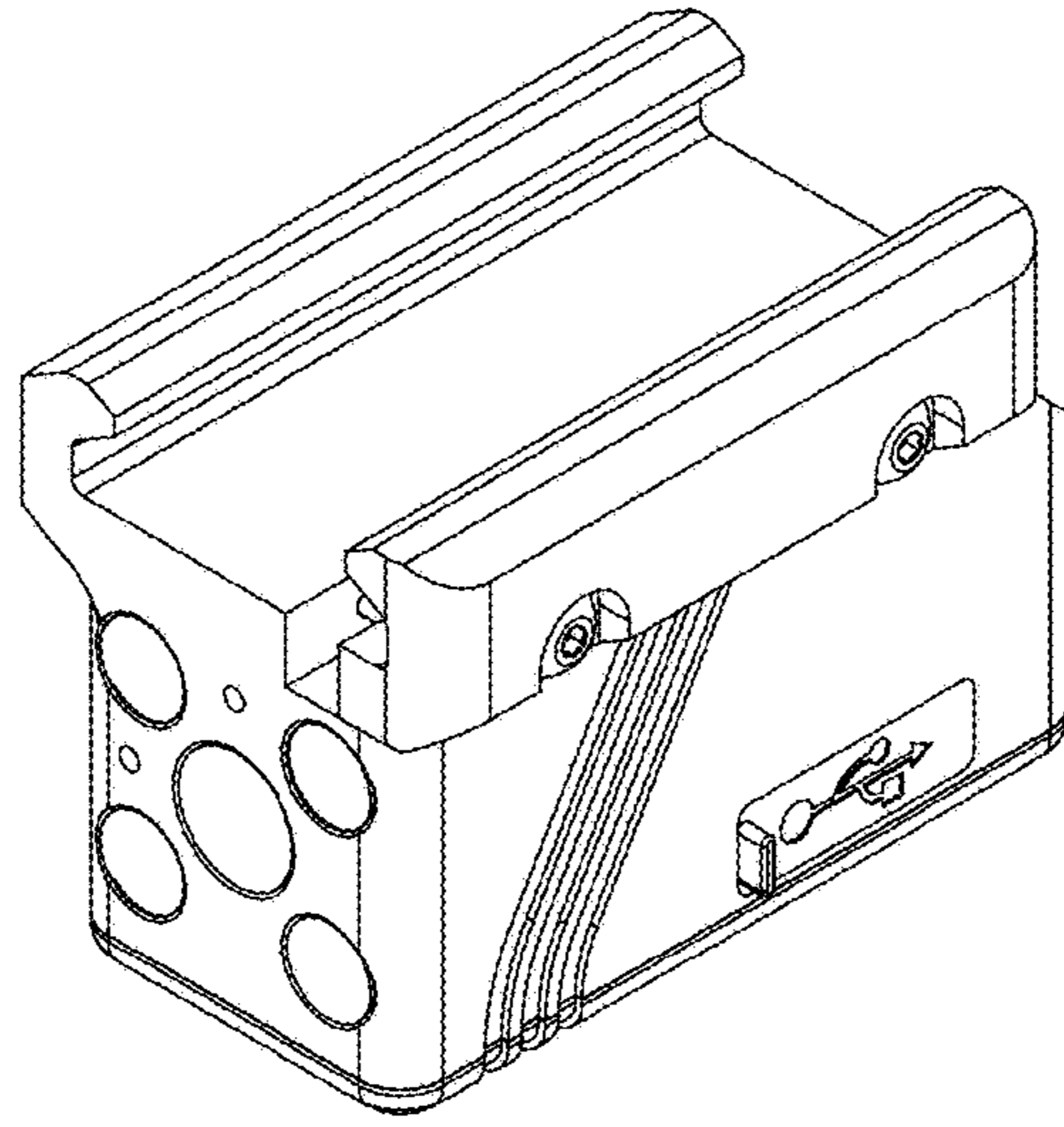


FIG. 2

FIG. 3

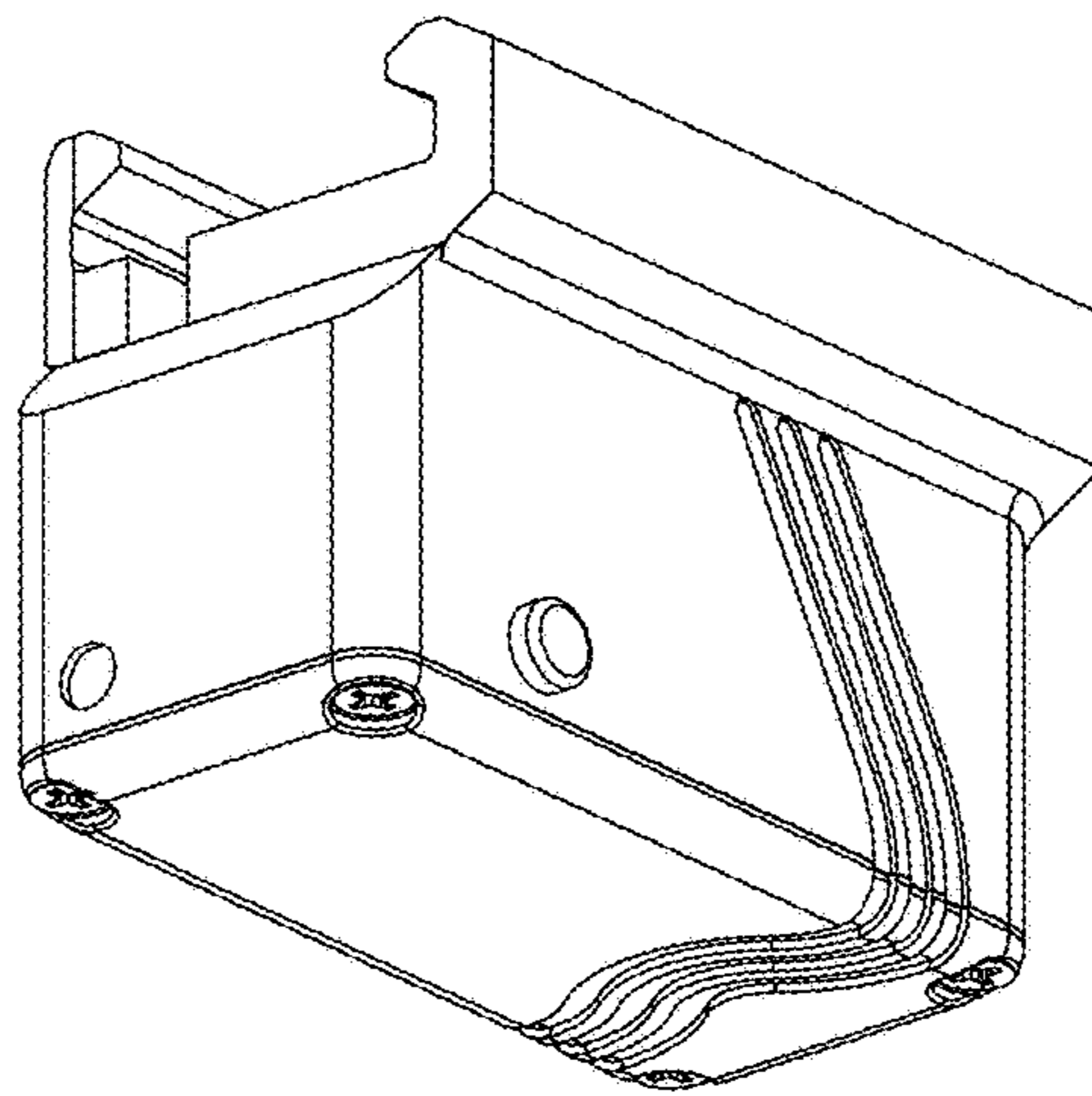
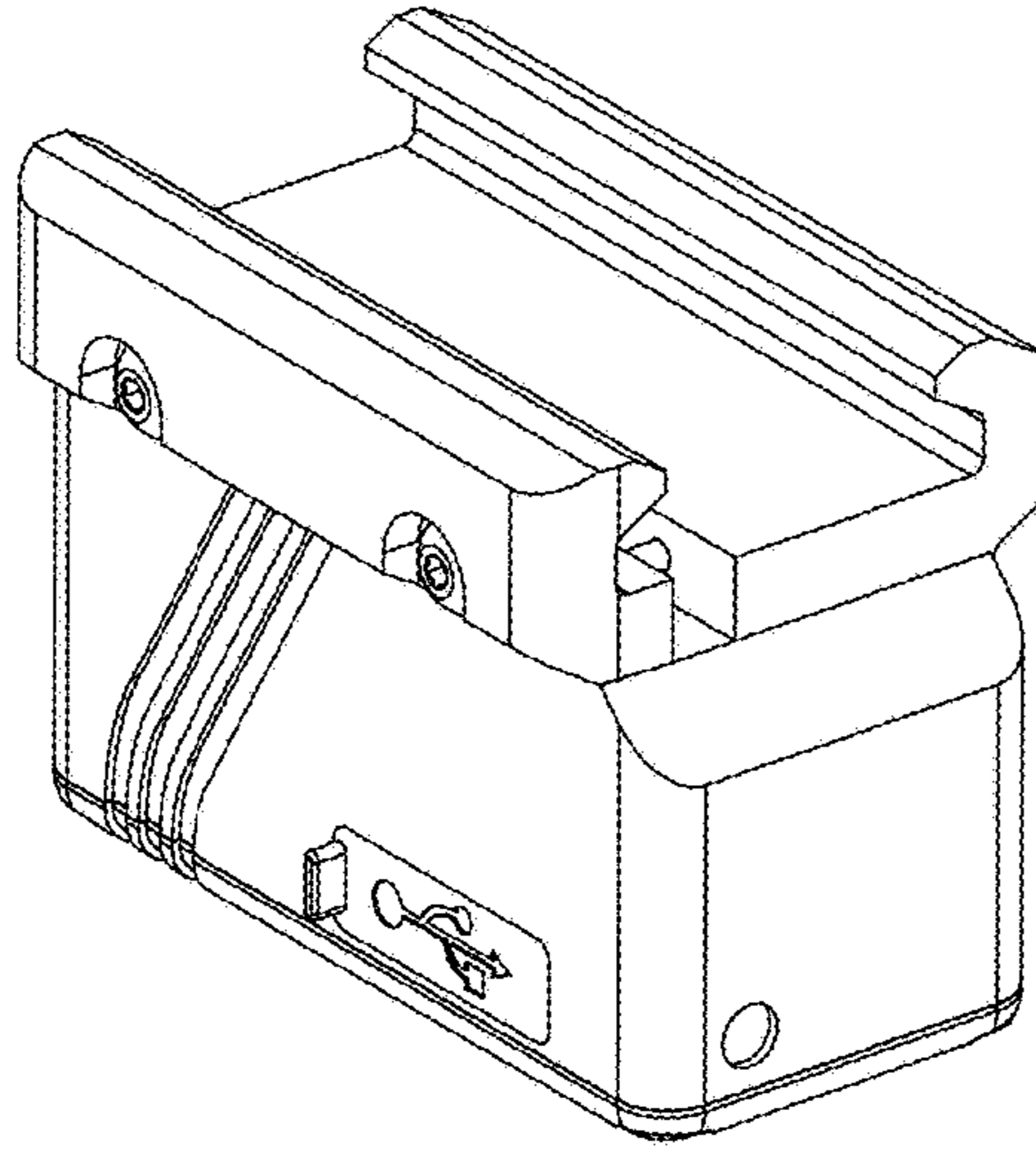


FIG. 4

FIG. 5

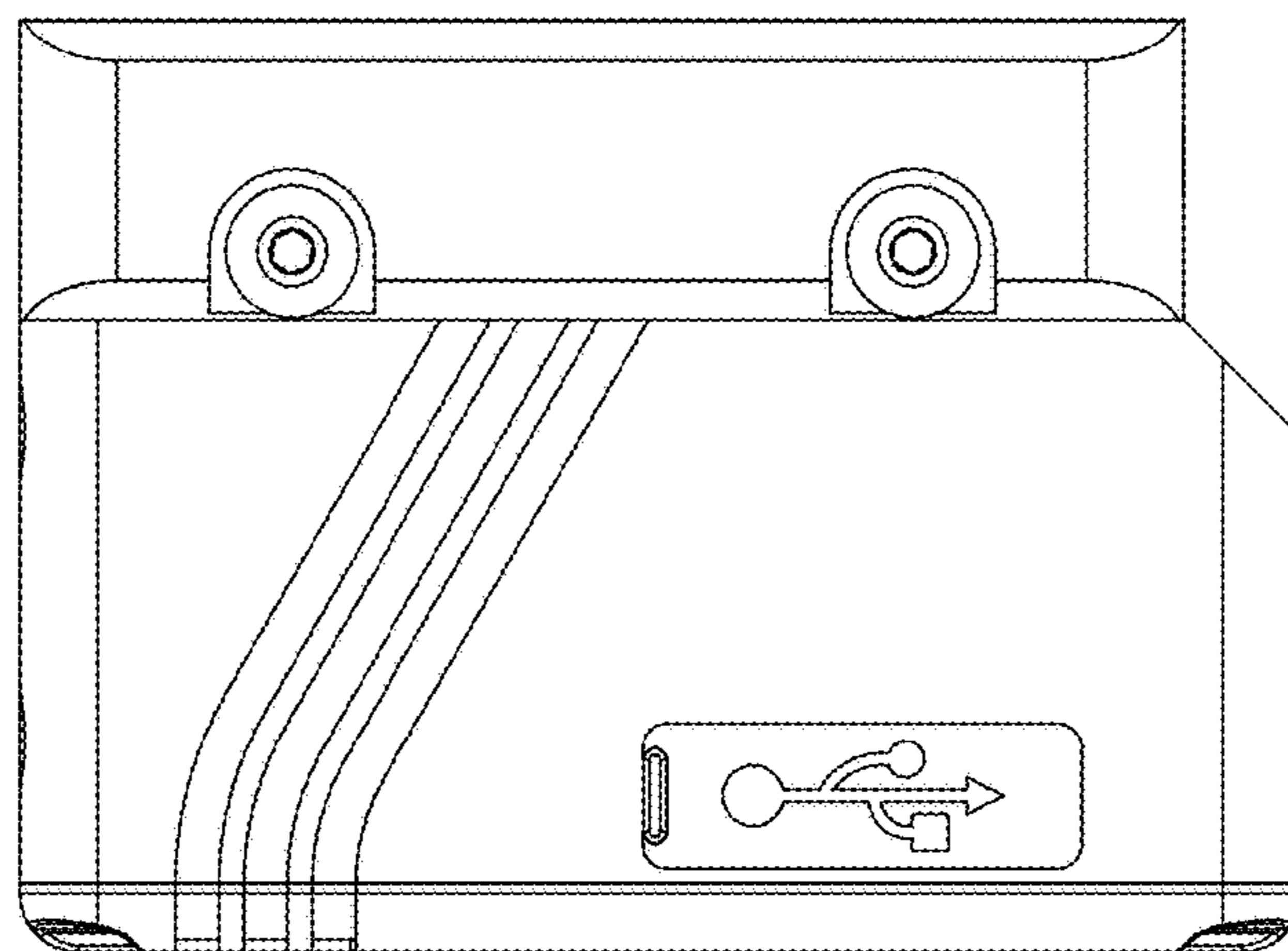
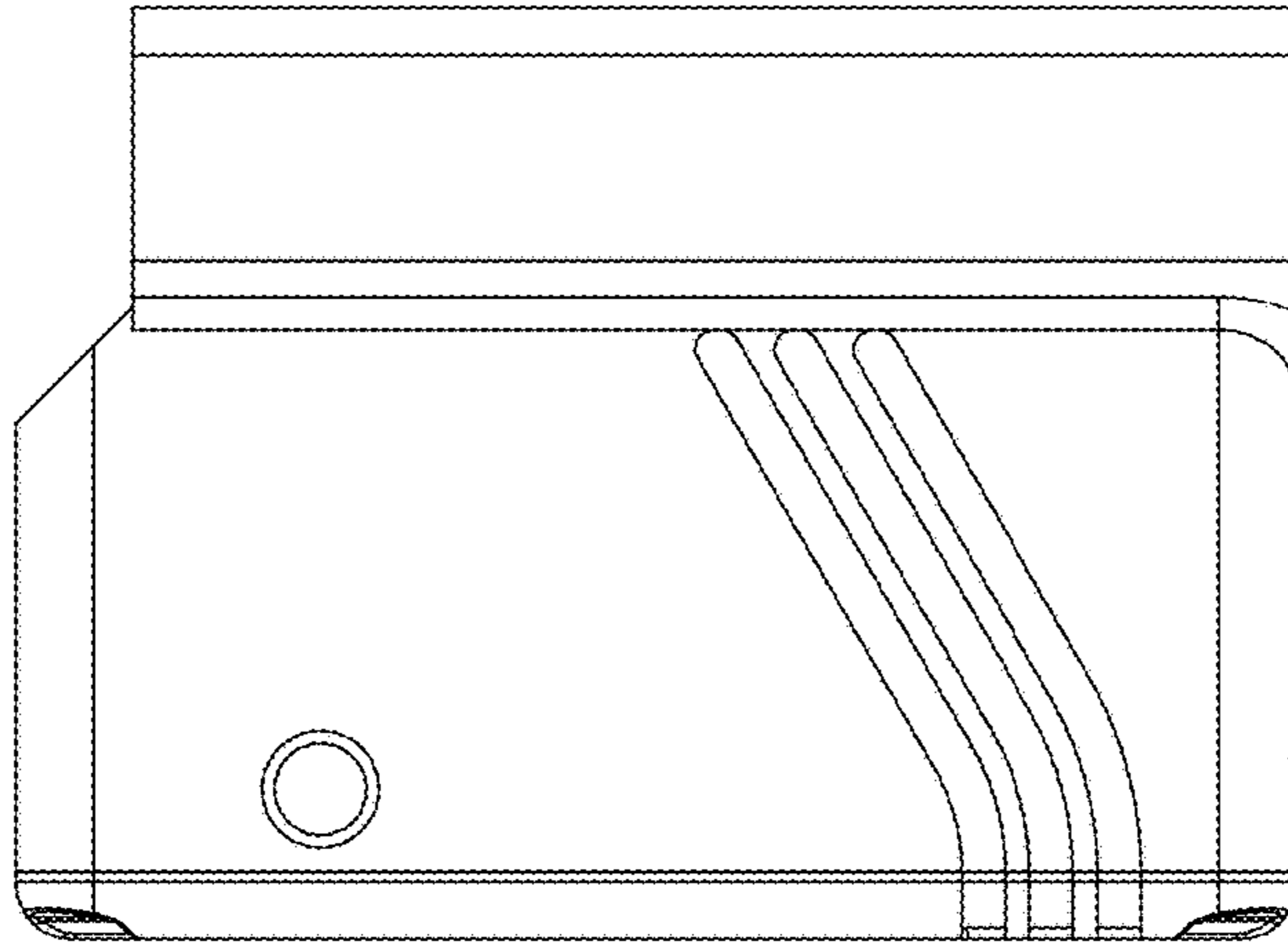


FIG. 6

FIG. 7

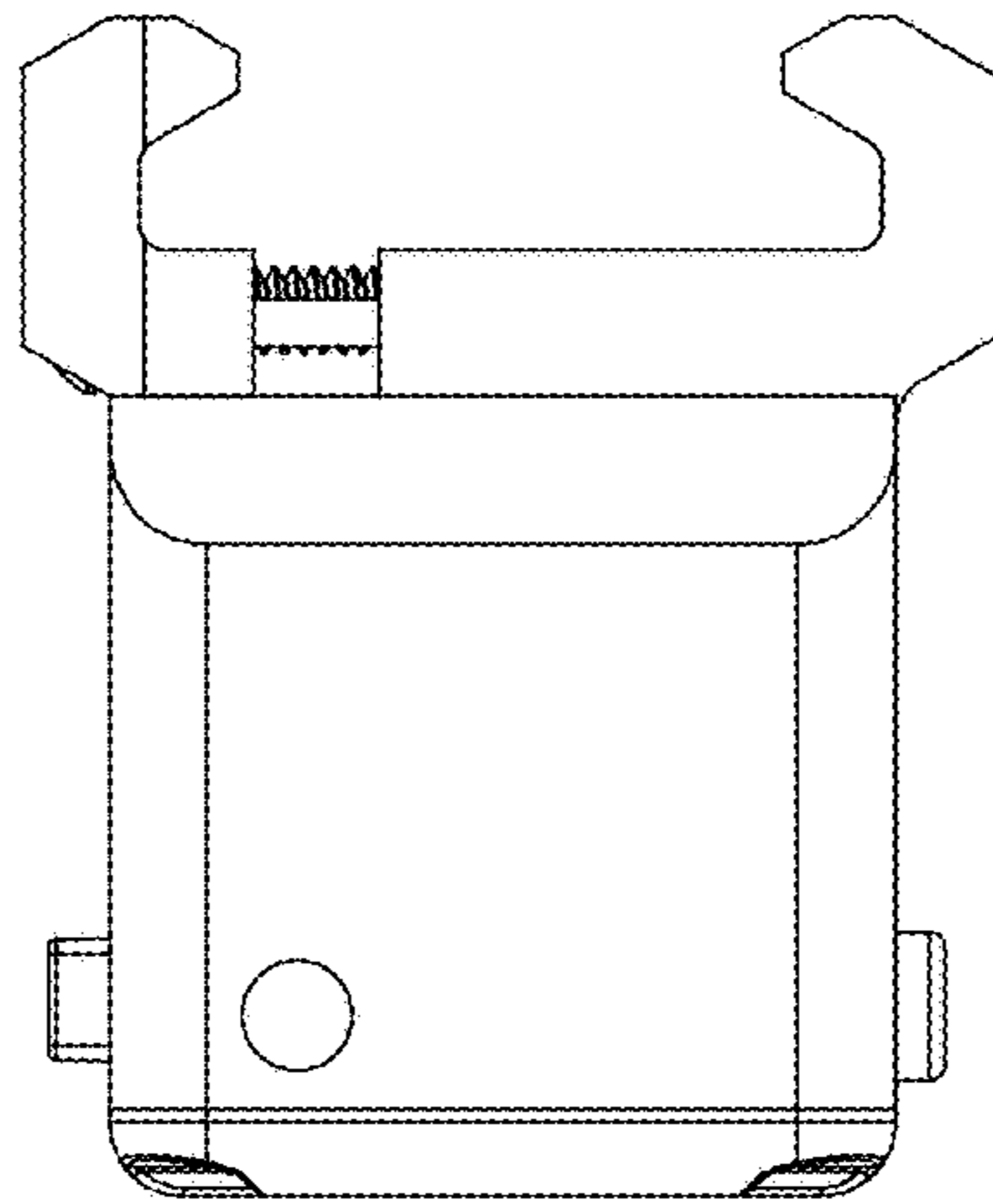
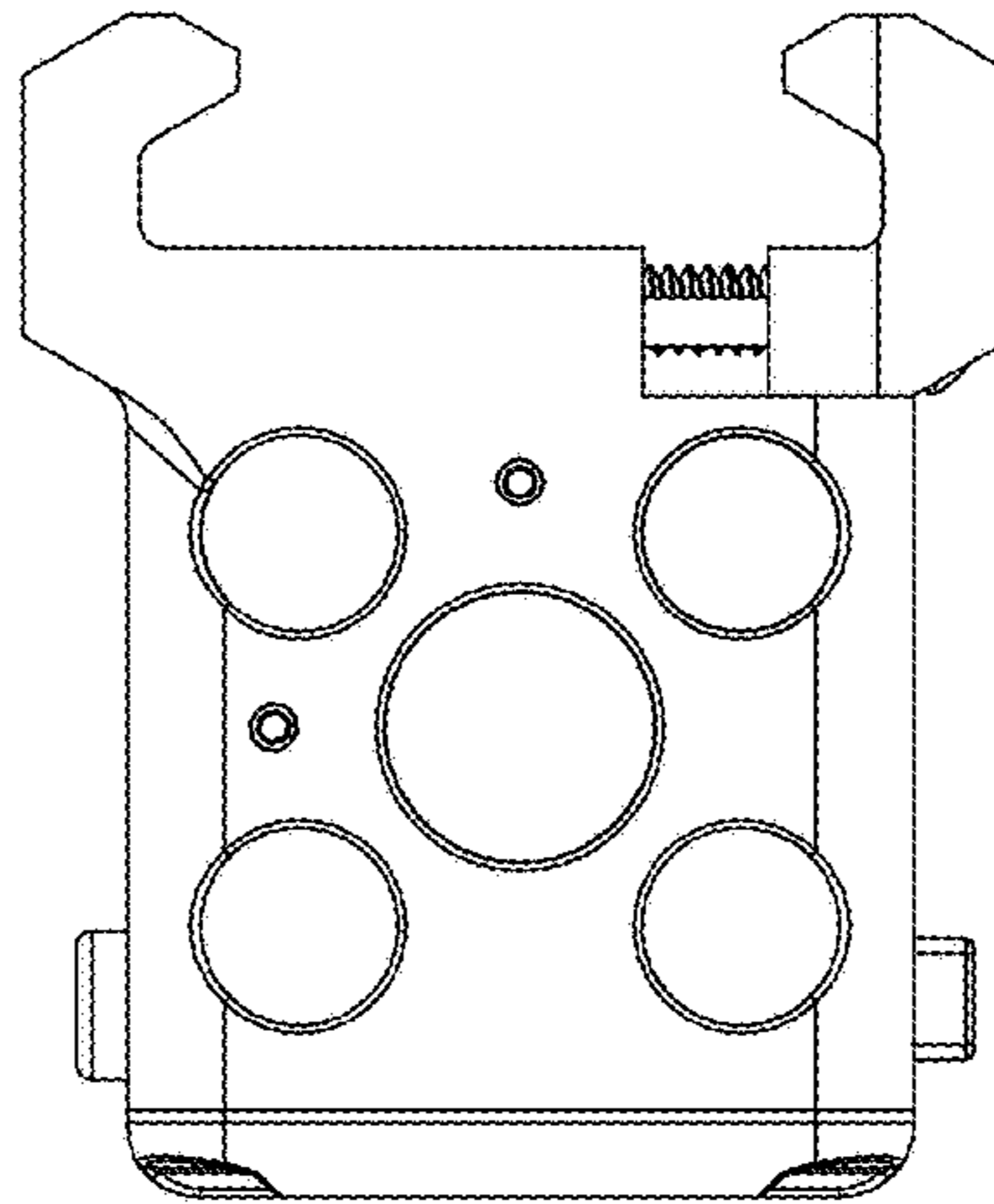


FIG. 8

FIG. 9

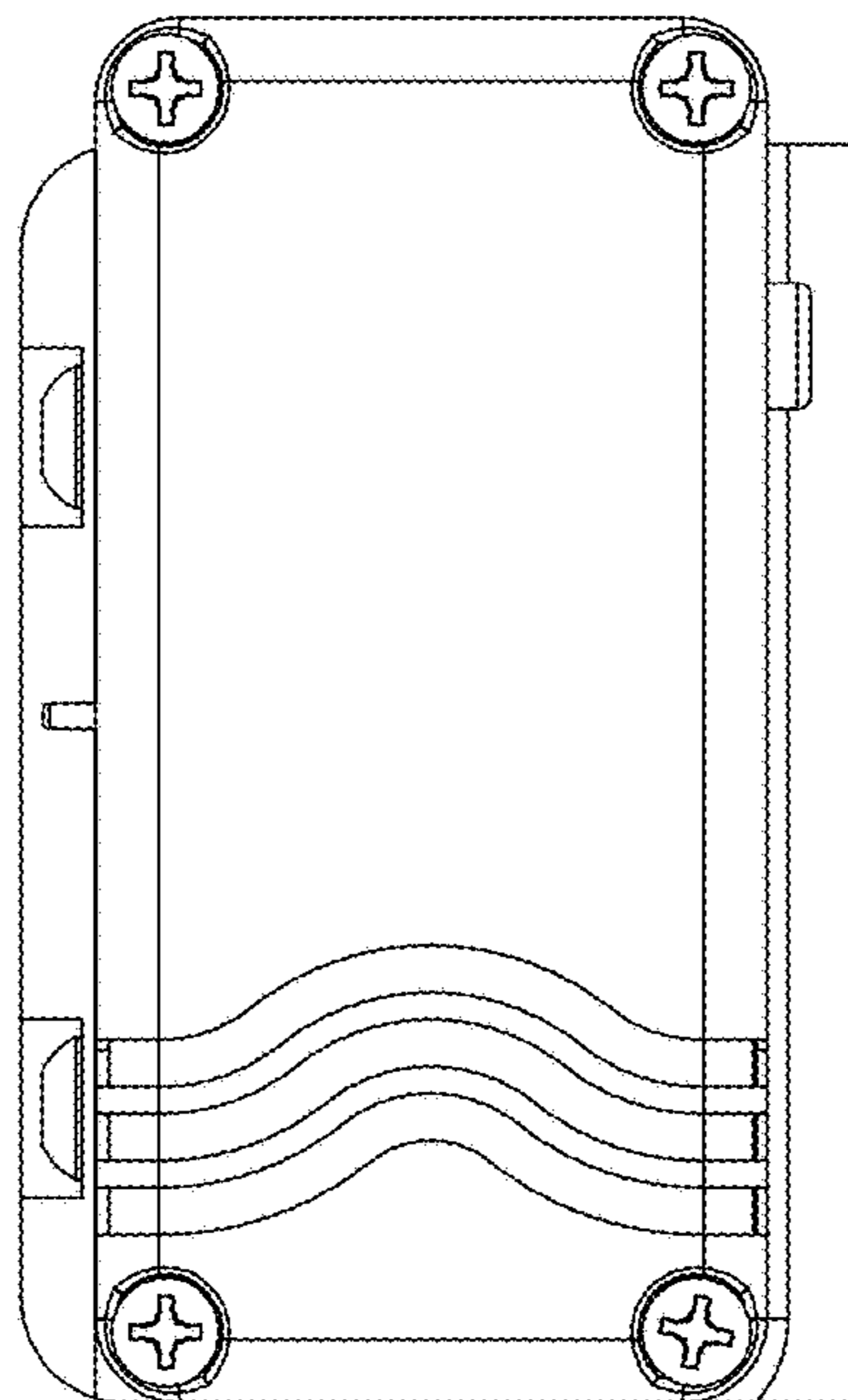
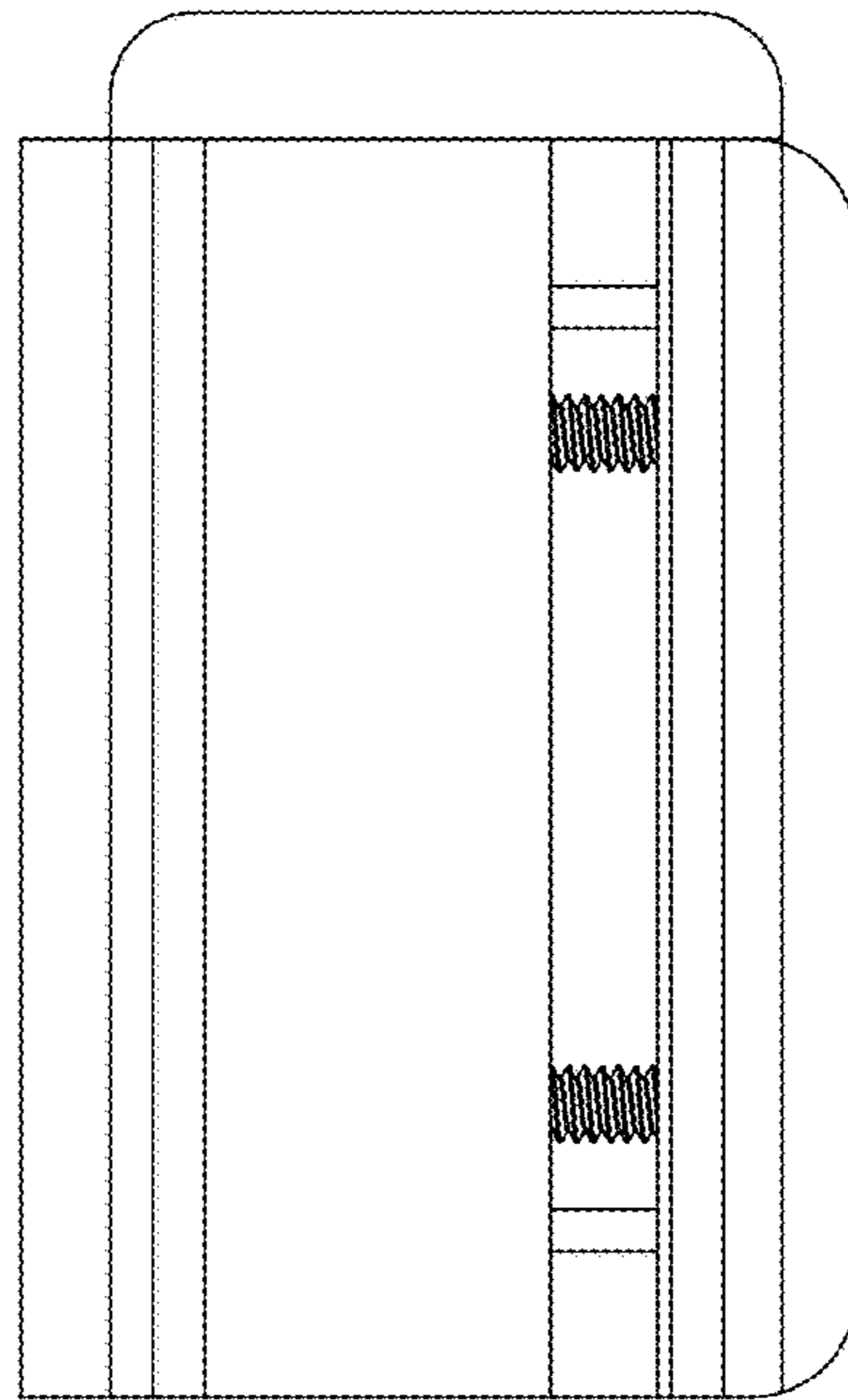


FIG. 10