



US00D865106S

(12) **United States Design Patent** (10) **Patent No.:** **US D865,106 S**  
**Oglesby** (45) **Date of Patent:** **\*\* Oct. 29, 2019**

(54) **SLIDE FOR A PISTOL**  
(71) Applicant: **Paul A. Oglesby**, Darley (GB)  
(72) Inventor: **Paul A. Oglesby**, Darley (GB)  
(\*\*) Term: **15 Years**  
(21) Appl. No.: **29/602,680**  
(22) Filed: **May 2, 2017**  
(51) **LOC (12) Cl.** ..... **22-01**  
(52) **U.S. Cl.**  
USPC ..... **D22/108**  
(58) **Field of Classification Search**  
USPC ..... D22/108, 199, 104; D21/572-575  
CPC ..... F41C 3/04; F41C 3/14; F41C 3/16; F41C  
3/00; F41C 3/005; F41C 3/006  
See application file for complete search history.

(56) **References Cited**

**U.S. PATENT DOCUMENTS**

D376,831 S *	12/1996	Resuggan	.....	D22/100
D593,629 S *	6/2009	Bantle	.....	D22/104
D729,895 S *	5/2015	Porat	.....	D22/108
D732,629 S *	6/2015	Wolf	.....	D22/108
D758,519 S *	6/2016	Toner	.....	D22/108
D777,871 S *	1/2017	Niswander	.....	D22/108
D800,243 S *	10/2017	Niswander	.....	D22/108
D823,969 S *	7/2018	Beville	.....	D22/104
D824,478 S *	7/2018	Shelton	.....	D22/108
D839,970 S *	2/2019	Chu	.....	D21/574
RE47,335 E *	4/2019	Wolf	.....	F41A 3/12
D849,174 S *	5/2019	Beville	.....	D22/104
2016/0047613 A1 *	2/2016	Hudson, III	.....	F41A 3/86
				42/14
2016/0102938 A1 *	4/2016	Sroufe	.....	F41A 3/72
				42/16
2017/0045319 A1 *	2/2017	Ramey	.....	F41A 3/66
2017/0299315 A1 *	10/2017	Shelton	.....	F41A 21/34

**OTHER PUBLICATIONS**

Ray I., New Lantac Glock 19 and 17 Barrels, Slides and More, posted at The Firearm Blog, posting date Jan. 30, 2018. Site visited

Jan. 2, 2019. URL : <<https://www.thefirearmblog.com/blog/2018/01/30/shot-2018-new-lantac-glock-19-and-17-barrels-slides-and-more/>> (Year: 2018).\*  
Johnson, Richard, Brownells Offering Custom Glock Pistol Slides, posted at The Firearm Blog, posting date Oct. 10, 2017. Site visited Jan. 2, 2019. URL : <<https://www.thefirearmblog.com/blog/2017/10/10/brownells-offering-glock-pistol-slides/>> (Year: 2017).\*  
Razorback Glock Gen 4 19 Stripped Camo Slides, posted at Lantac, posting date not available. Site visited Jan. 2, 2019. URL: <<https://www.lantac-usa.com/product-page/razorback-glock-gen-4-19-17-stripped-slide>>.\*

\* cited by examiner

*Primary Examiner* — Kevin K Rudzinski  
*Assistant Examiner* — Kathleen L Jones  
(74) *Attorney, Agent, or Firm* — Shaddock Law Group, PC

(57) **CLAIM**

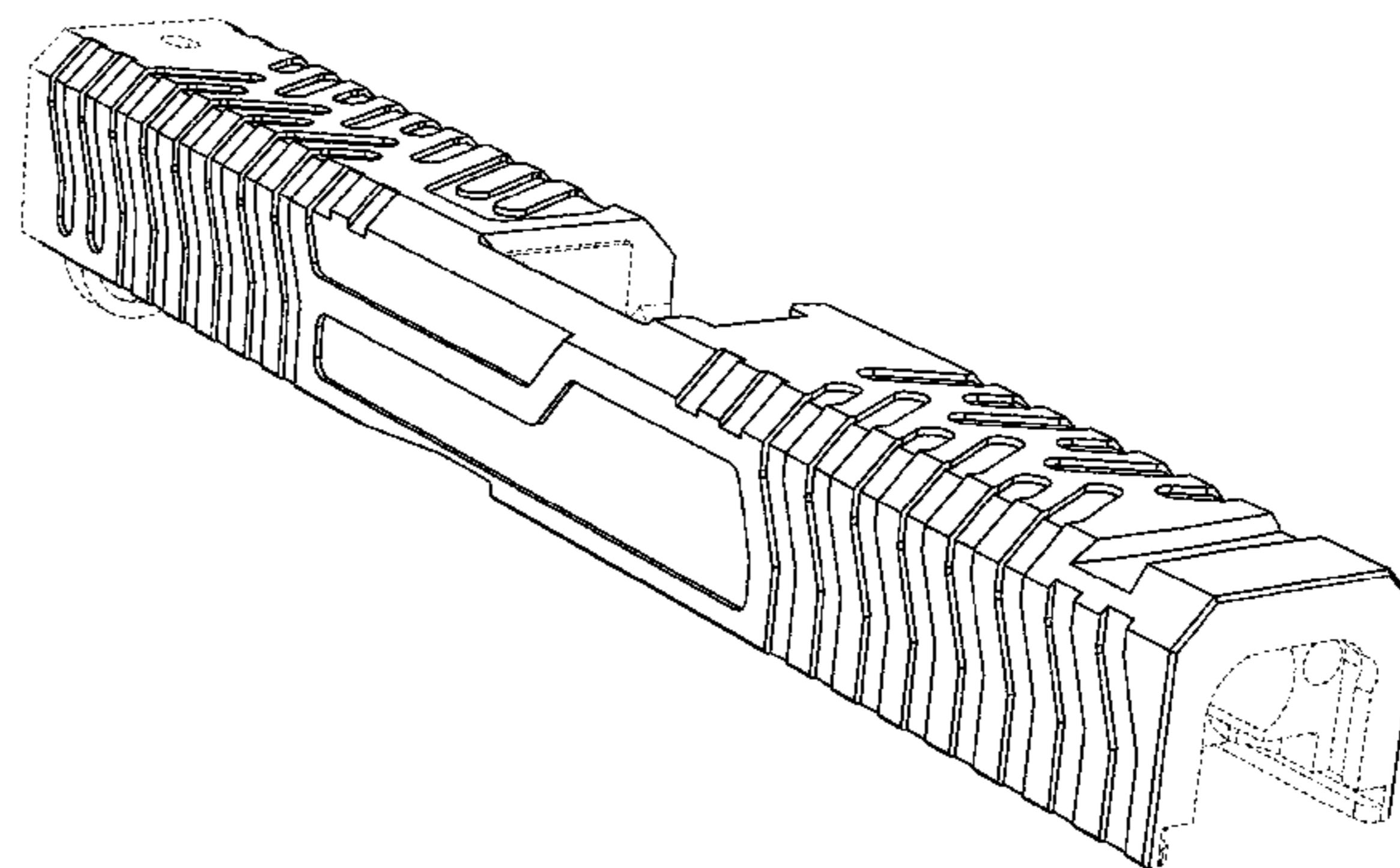
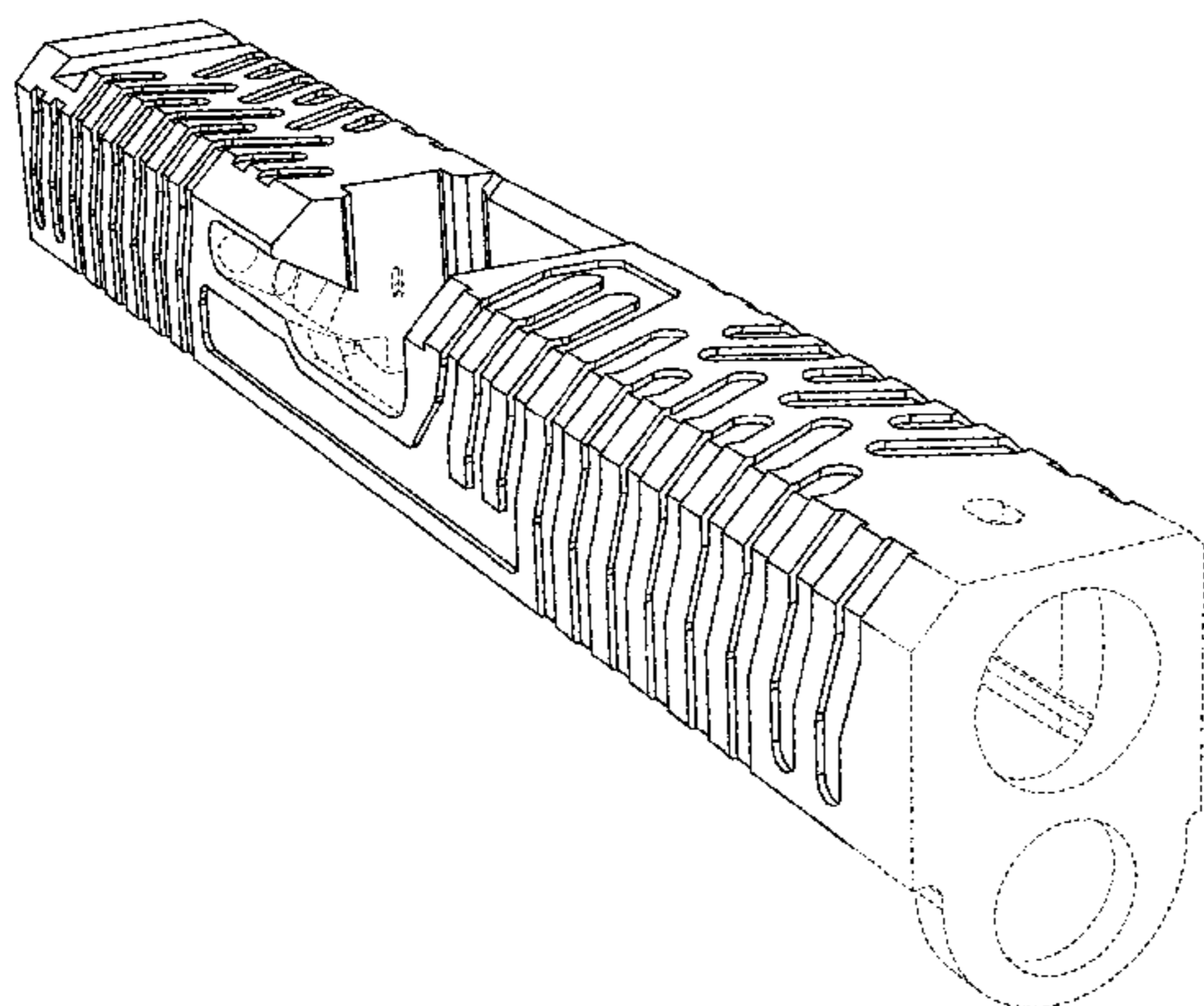
The ornamental design for a slide for a pistol, as shown and described.

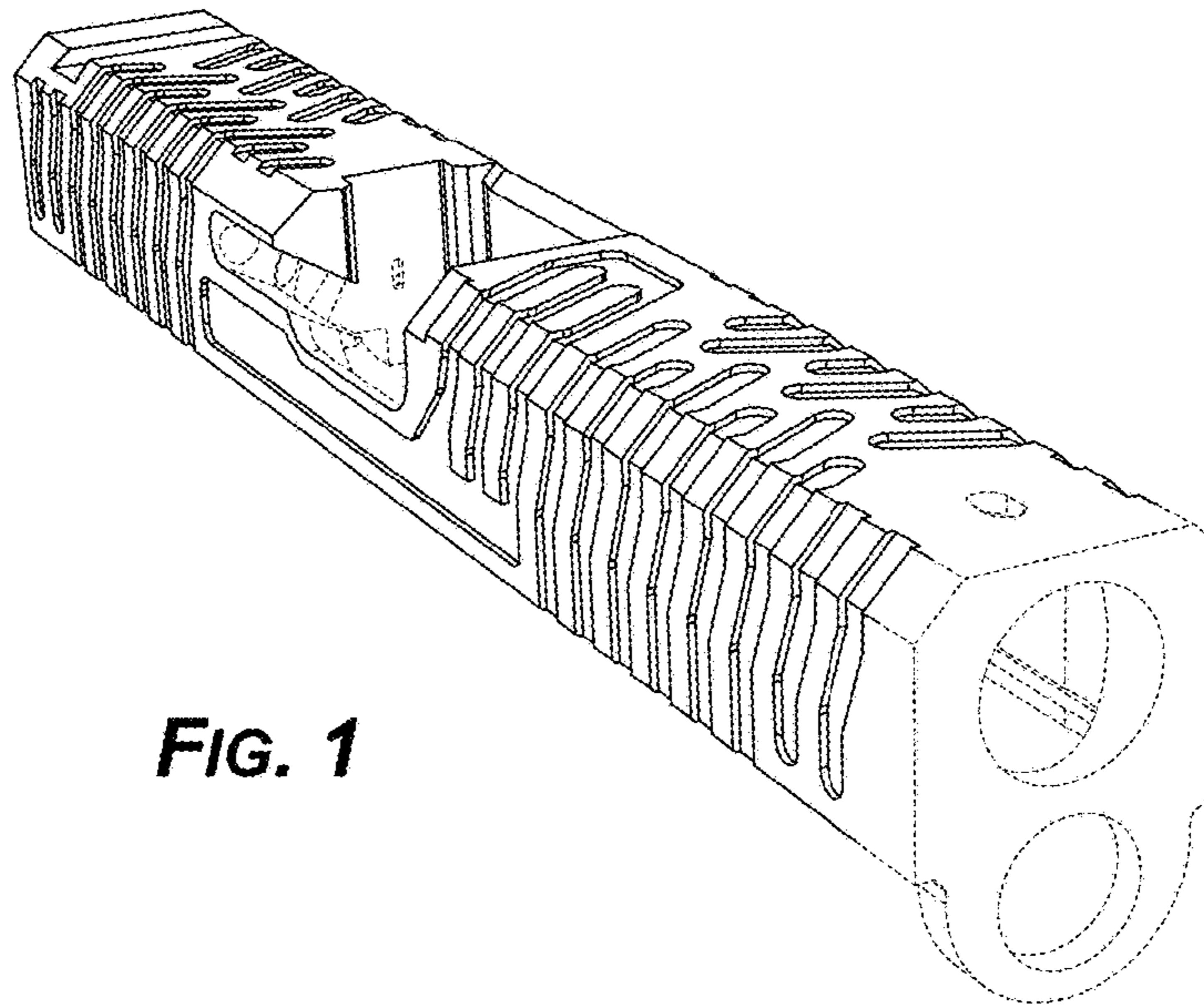
**DESCRIPTION**

FIG. 1 is an upper, right, front perspective view of the slide for a pistol, showing my new design;  
FIG. 2 is an upper, left, front perspective view thereof;  
FIG. 3 is an upper, right, rear perspective view thereof;  
FIG. 4 is an upper, left, rear perspective view thereof;  
FIG. 5 is a right side view thereof;  
FIG. 6 is a left side view thereof;  
FIG. 7 is a top plan view thereof;  
FIG. 8 is a bottom plan view thereof;  
FIG. 9 is a front view thereof; and,  
FIG. 10 is a rear view thereof.

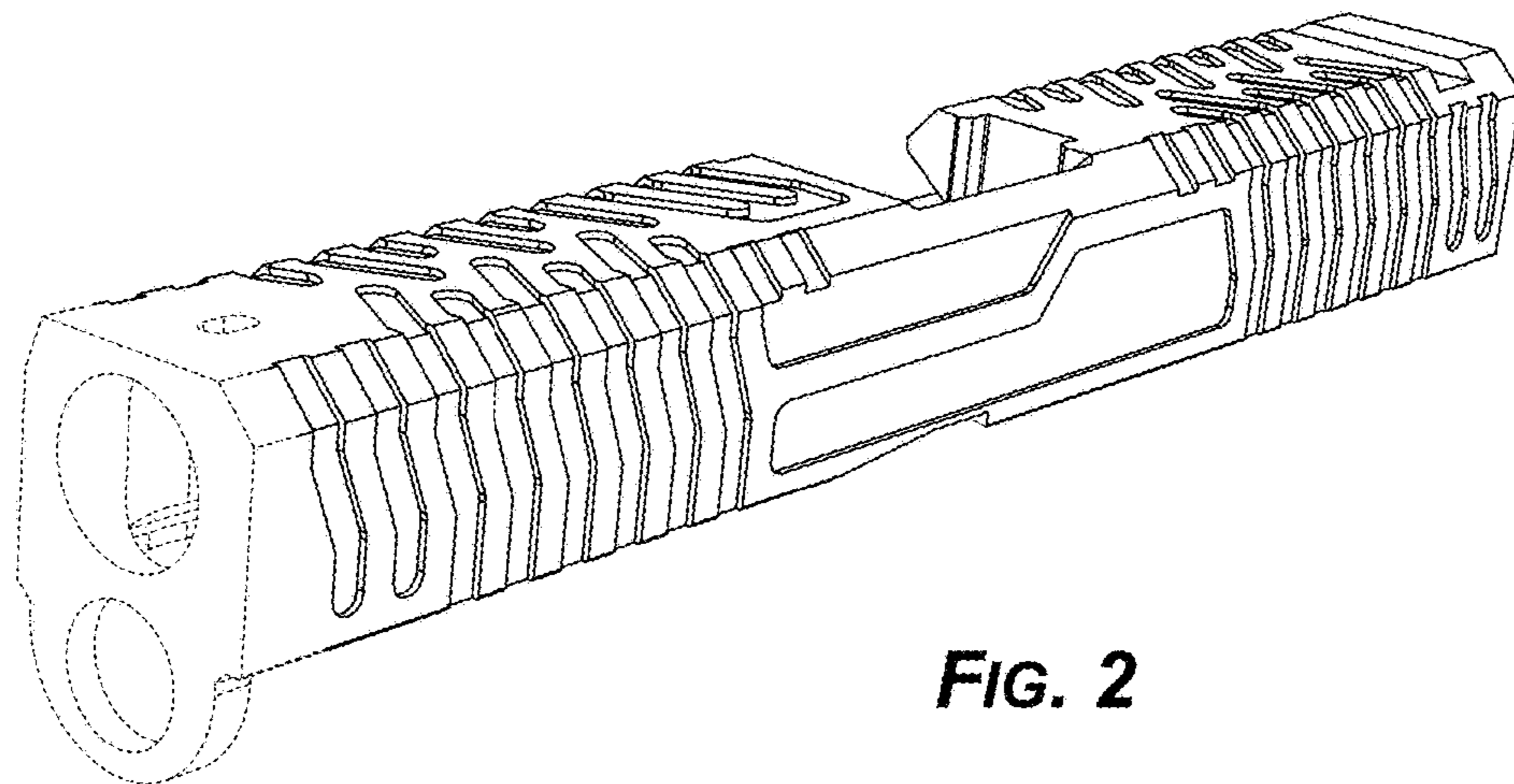
The broken lines showing portions of the slide for a pistol as well as the broken lines showing environmental structure form no part of the claimed design.

**1 Claim, 5 Drawing Sheets**

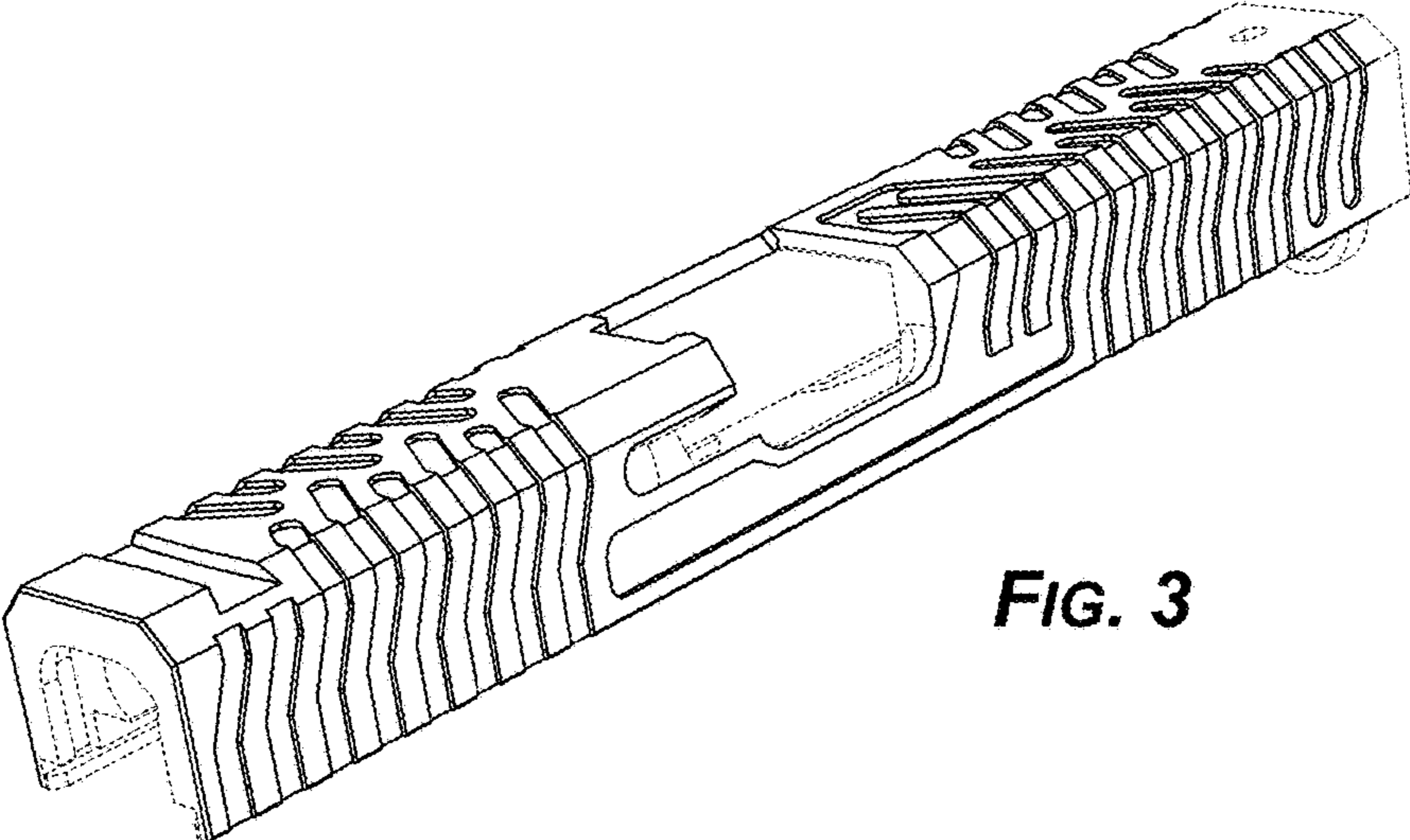




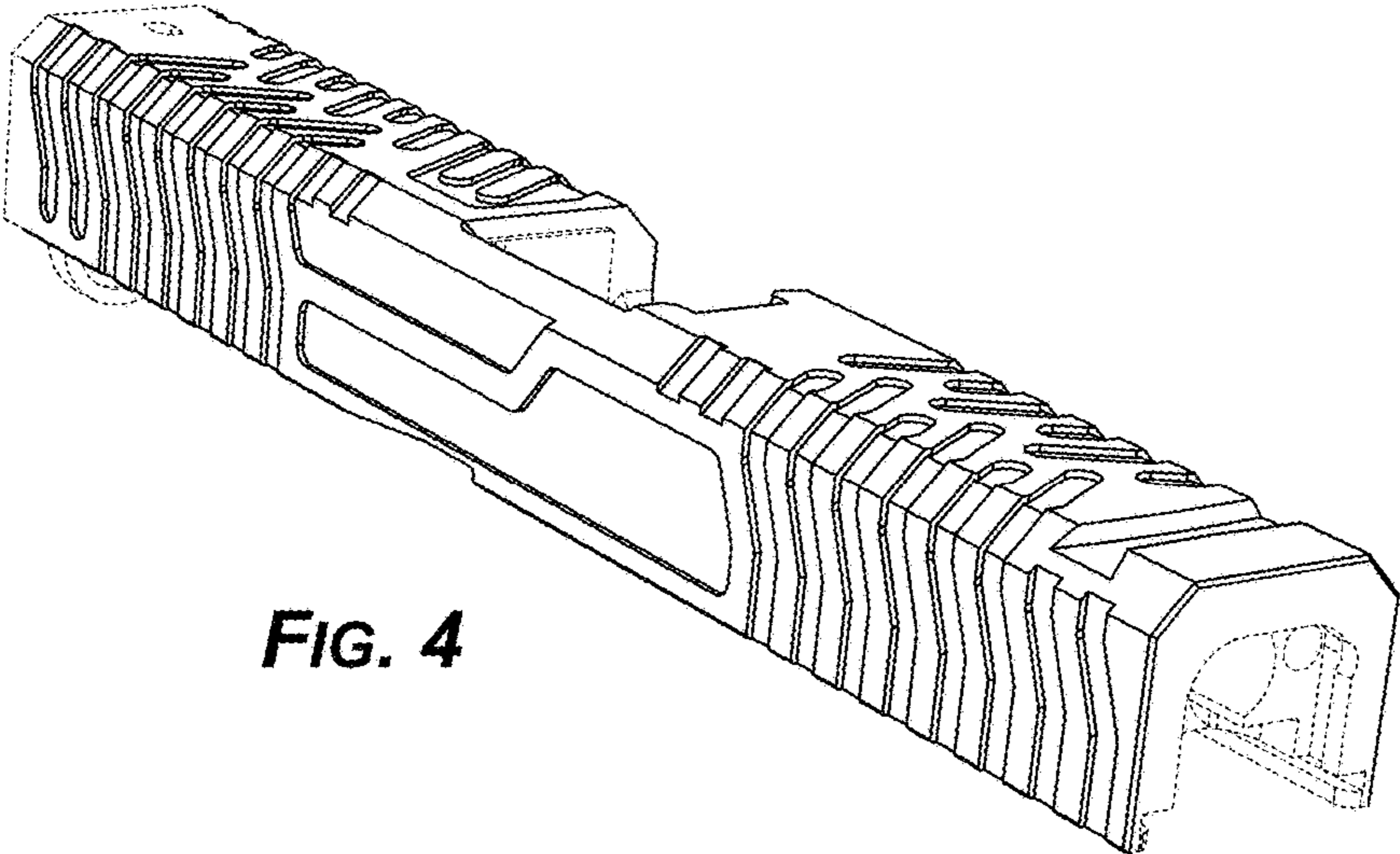
**FIG. 1**



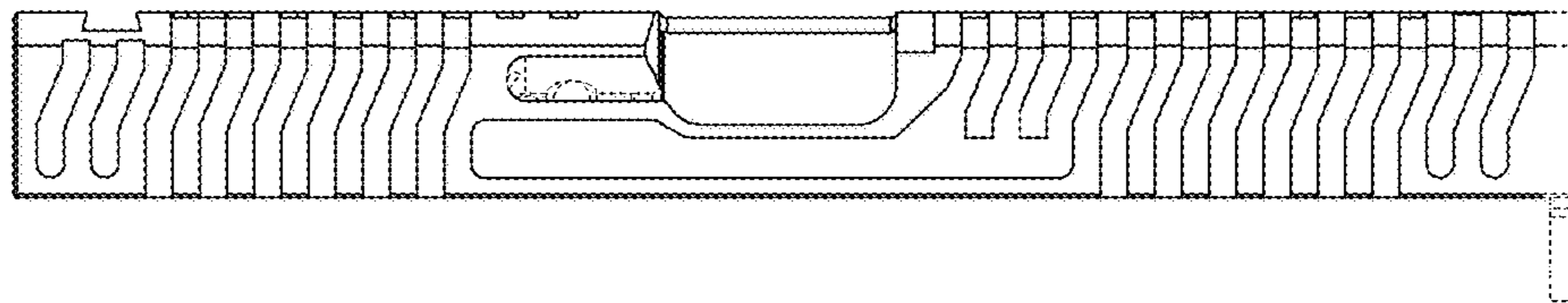
**FIG. 2**



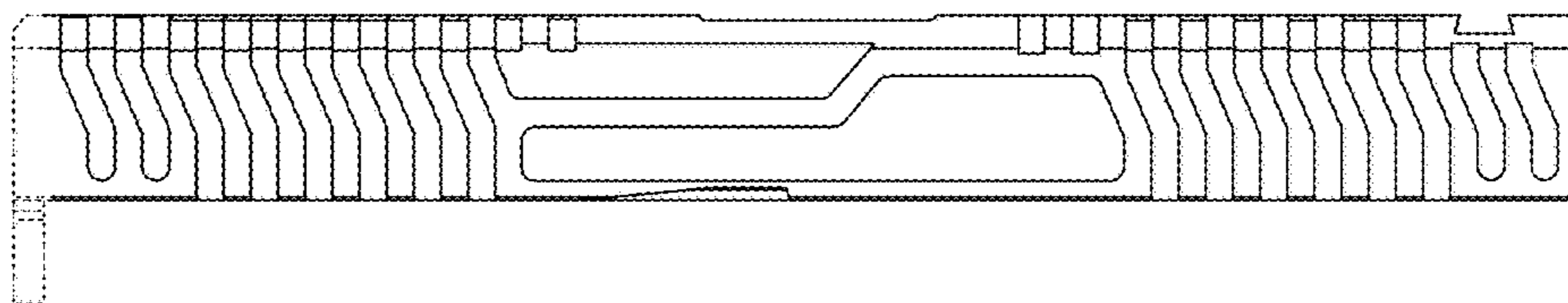
**FIG. 3**



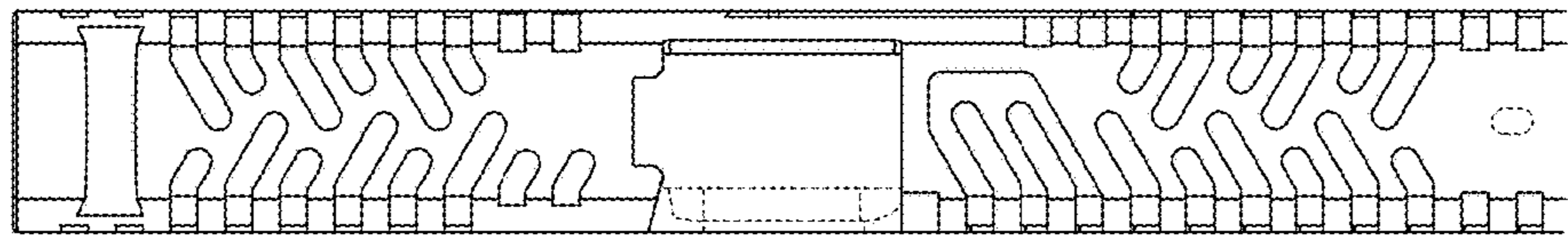
**FIG. 4**



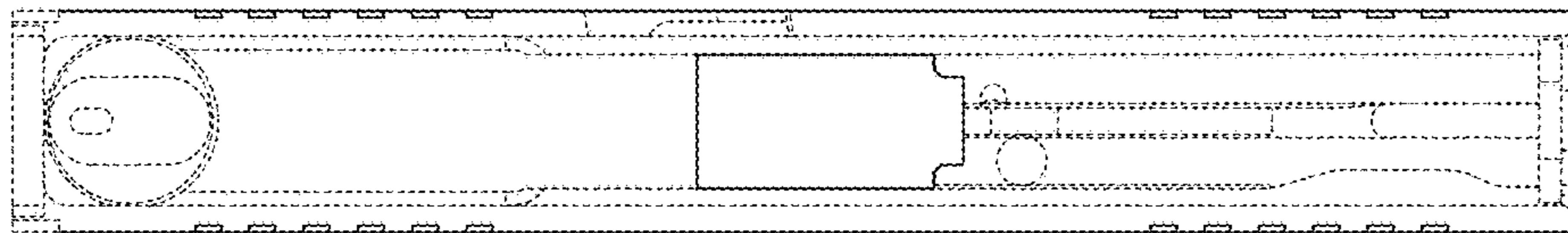
**FIG. 5**



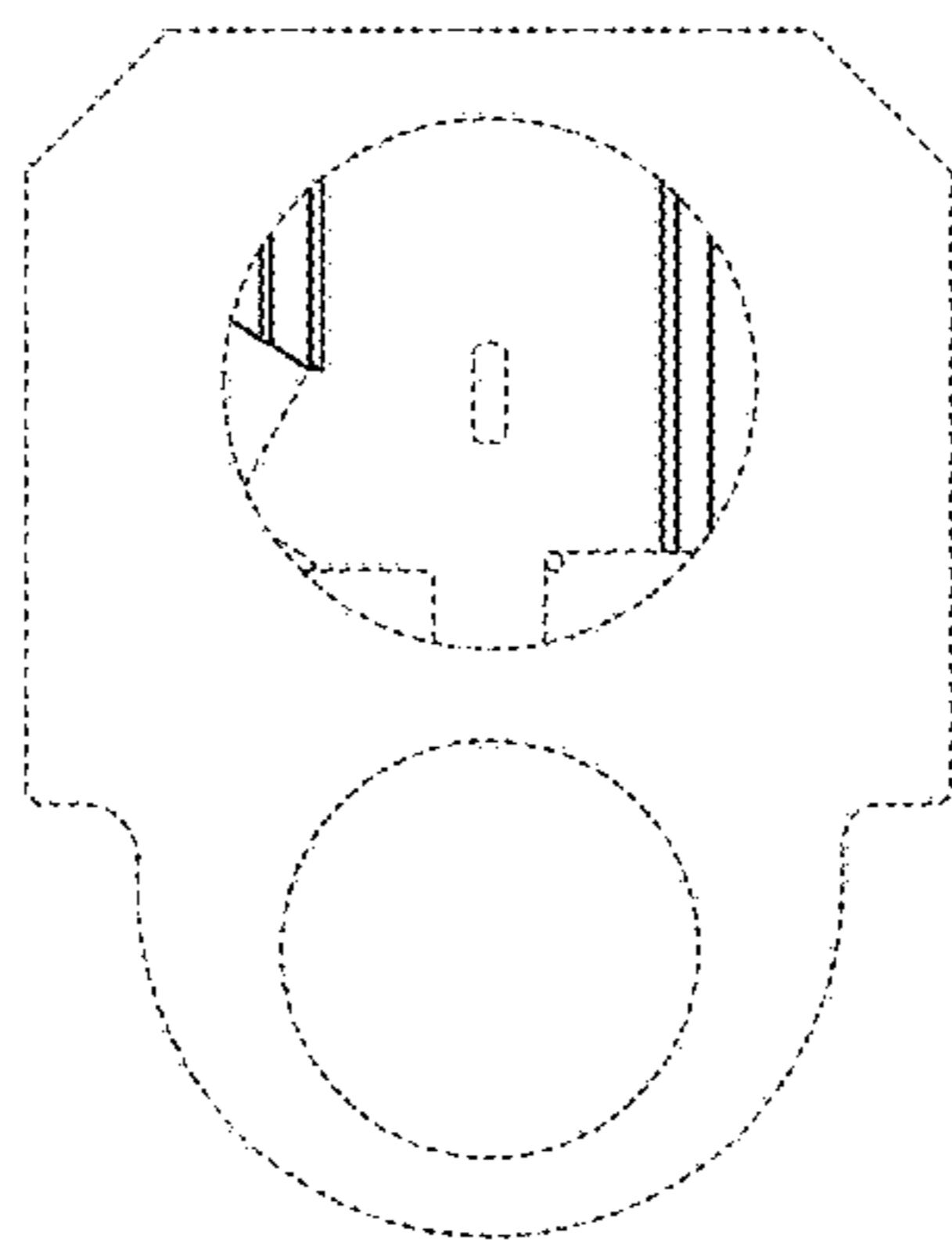
**FIG. 6**



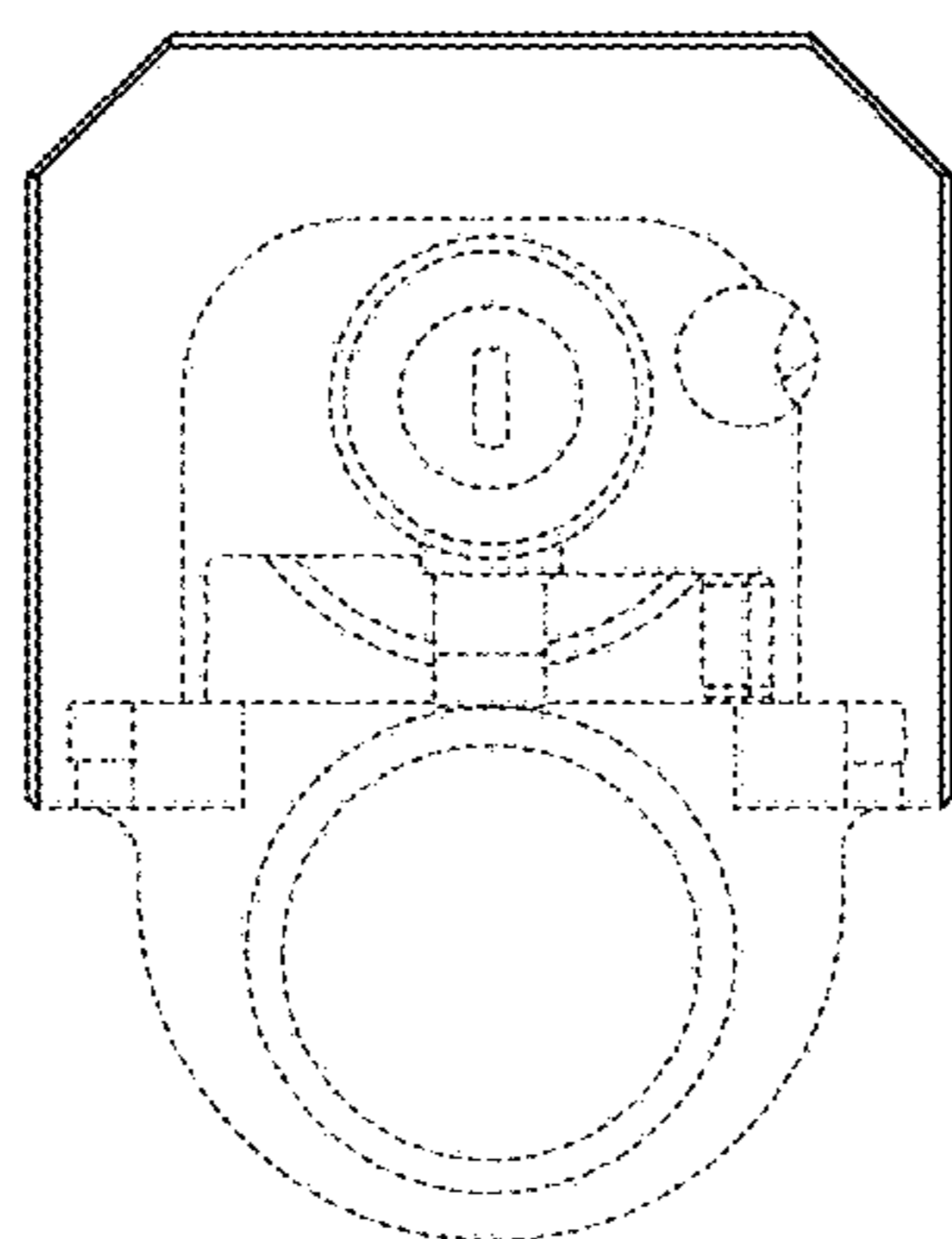
**FIG. 7**



**FIG. 8**



**FIG. 9**



**FIG. 10**