



US00D865101S

(12) **United States Design Patent** (10) **Patent No.:** **US D865,101 S**  
**Tang** (45) **Date of Patent:** **\*\* Oct. 29, 2019**

(54) **GUN**  
(71) Applicant: **Chiao-Wei Tang**, Yilan (TW)  
(72) Inventor: **Chiao-Wei Tang**, Yilan (TW)

D305,252 S \* 12/1989 Nielson ..... D21/574  
D312,672 S \* 12/1990 Arnott ..... D21/574  
D617,147 S \* 6/2010 White ..... D22/104  
D637,254 S \* 5/2011 Uedelhoven ..... D22/104  
D732,116 S \* 6/2015 Gonzalez ..... D21/573  
10,180,295 B1 \* 1/2019 Tang ..... F41A 9/27

(\*\*) Term: **15 Years**

**OTHER PUBLICATIONS**

(21) Appl. No.: **29/649,542**  
(22) Filed: **May 31, 2018**  
(51) **LOC (12) Cl.** ..... **22-01**  
(52) **U.S. Cl.**  
USPC ..... **D22/104; D21/574**  
(58) **Field of Classification Search**  
USPC ..... D22/100, 101, 102, 103, 104, 105, 106,  
D22/107, 108, 109, 110, 111, 199;  
D21/571, 573, 574, 575, 746  
CPC ..... F41C 23/14; F41C 23/20; F41C 23/04;  
F41C 23/00; F41C 23/10; F41C 27/00;  
F41C 7/00; F41C 23/06; F41C 3/00;  
F41B 5/10; F41B 5/14; F41B 5/0094;  
F41B 5/1469; F41B 5/00  
See application file for complete search history.

“Cobra revolver long barrel version” [online]. Robbe25. [Published on Jun. 1, 2010]. Retrieved from the Internet: <<https://www.flickr.com/photos/45237493@N04/4660168175>>.\*  
“Review: Chiappa Rhino 60DS Bottom Barrel Revolver”. [online]. Denisbaldwin. [Published on Sep. 9, 2014]. Retrieved from the Internet: <<http://zombieprepared.com/guns/review-chiappa-rhino-60ds-bottom-barrel-revolver>>.\*

\* cited by examiner

*Primary Examiner* — Khawaja Anwar  
*Assistant Examiner* — Mojtaba Tehrani  
(74) *Attorney, Agent, or Firm* — C. G. Mersereau; DeWitt LLP

(57) **CLAIM**

The ornamental design for a gun, as shown and described.

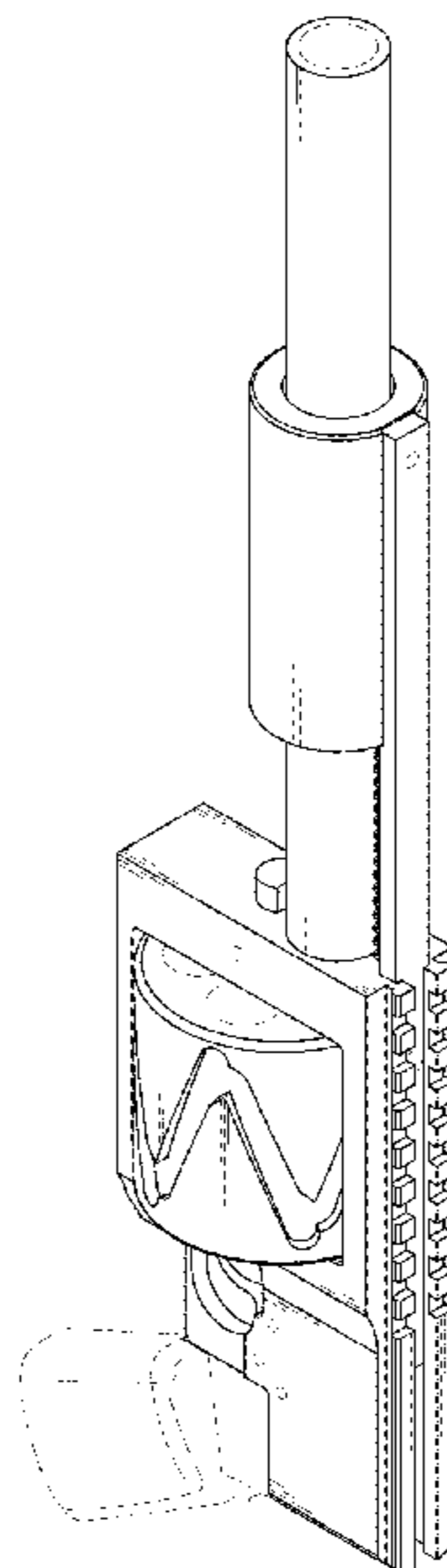
**DESCRIPTION**

(56) **References Cited**  
U.S. PATENT DOCUMENTS

D37,941 S \* 4/1906 Rogers ..... D19/80  
D134,561 S \* 12/1942 Gregory ..... D21/574  
D138,566 S \* 8/1944 Bollmeier ..... D21/574  
D142,551 S \* 10/1945 Frankel ..... D21/574  
D167,396 S \* 8/1952 Eigen ..... D21/575  
D192,474 S \* 3/1962 Benkoe ..... D21/574  
D225,547 S \* 12/1972 Griffin ..... D21/575  
4,276,709 A \* 7/1981 Bross ..... F41C 23/10  
42/71.02  
4,368,589 A \* 1/1983 A’Costa ..... F41A 21/00  
42/77

FIG. 1 is a perspective view of the gun;  
FIG. 2 is a front elevation view thereof;  
FIG. 3 is a rear elevation view thereof;  
FIG. 4 is a left side elevation view thereof;  
FIG. 5 is a right side elevation view thereof;  
FIG. 6 is a top plan view thereof; and,  
FIG. 7 is a bottom plan view thereof.  
The broken line in the drawings depicts an unclaimed portion of the gun only and forms no part of the claimed design.

**1 Claim, 7 Drawing Sheets**



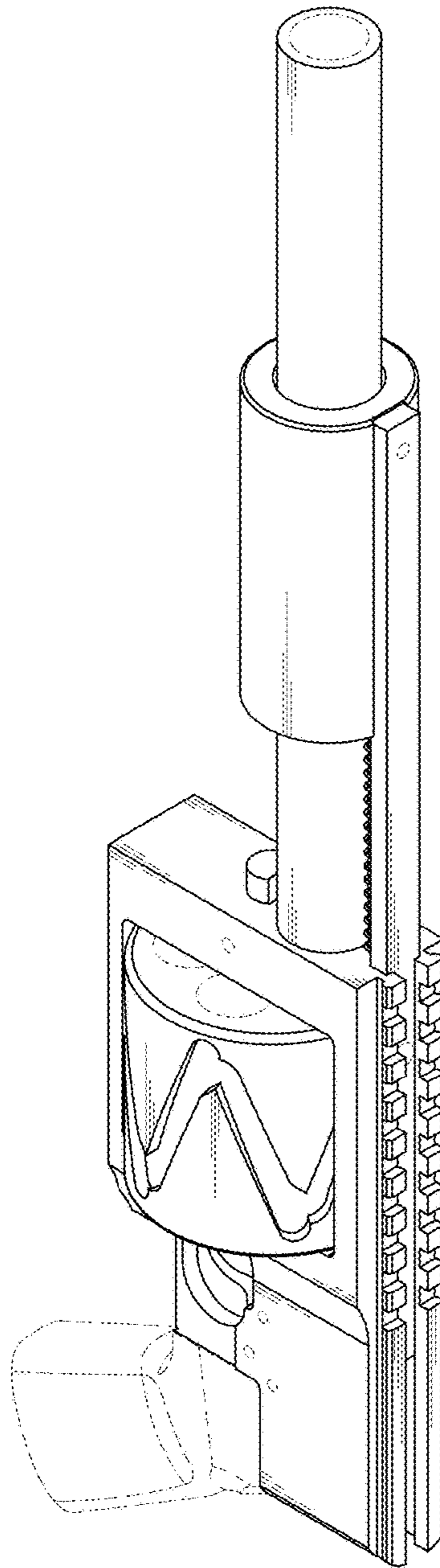


FIG.1

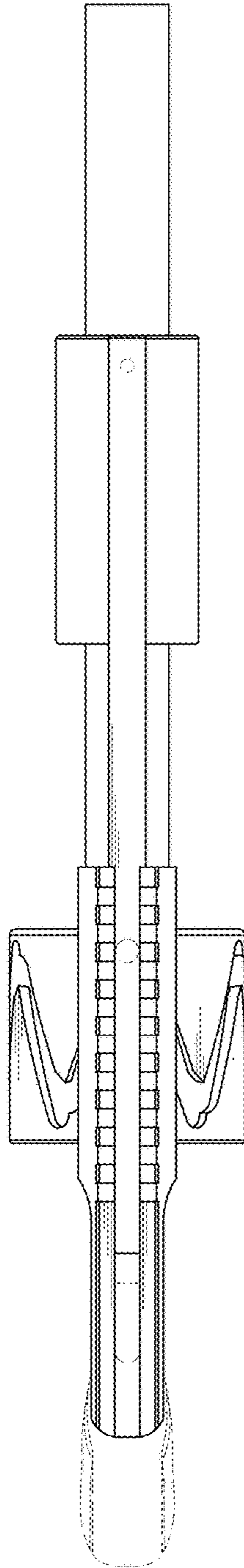


FIG.2

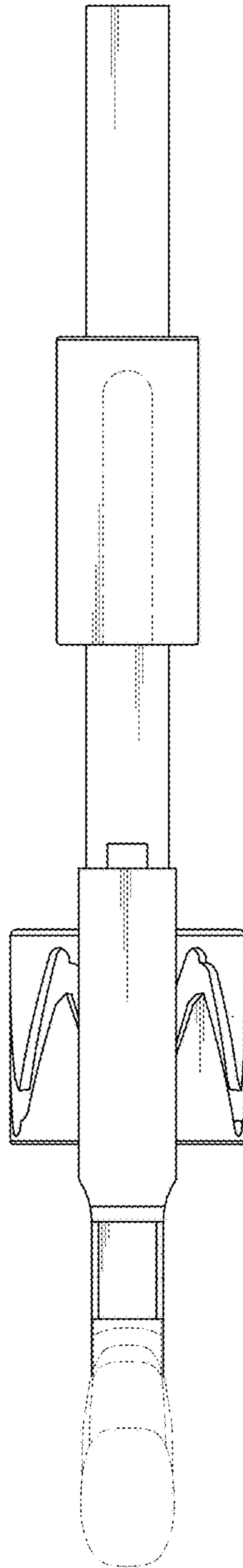


FIG.3

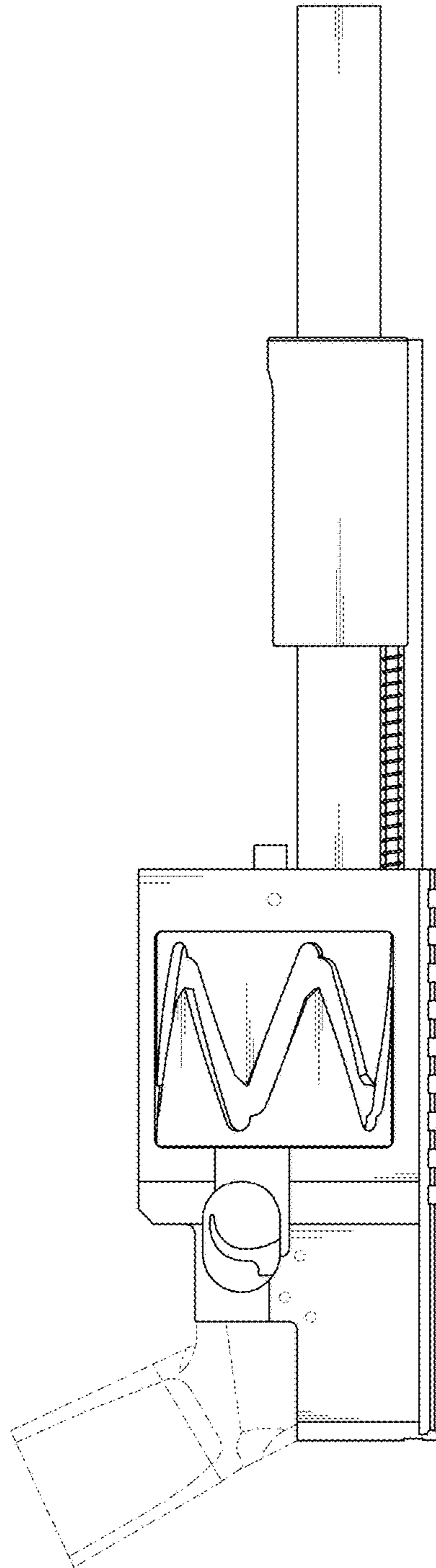


FIG.4

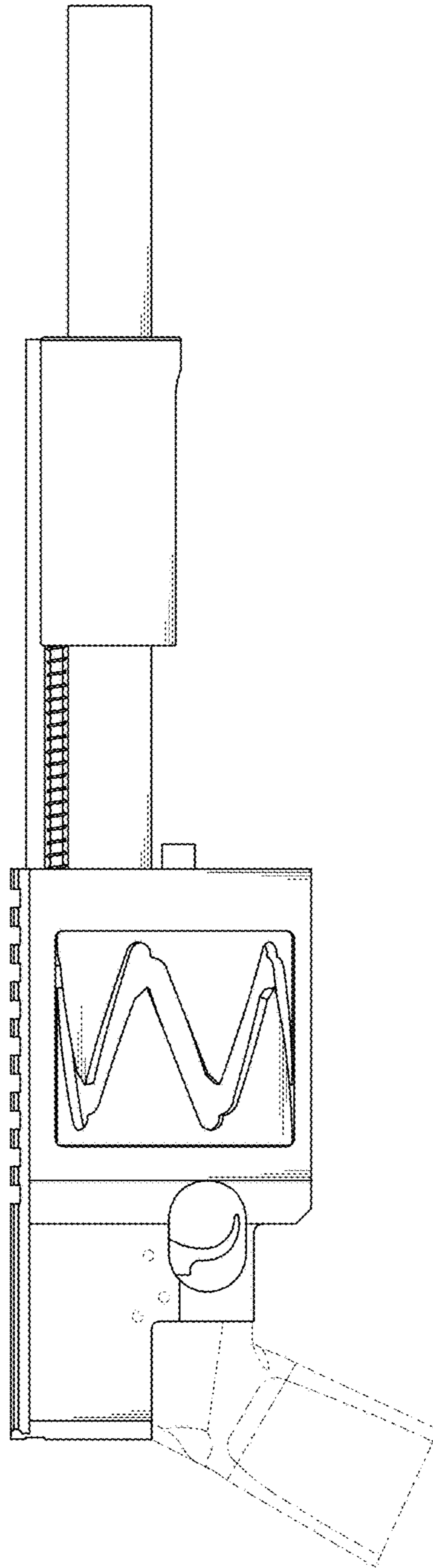


FIG.5

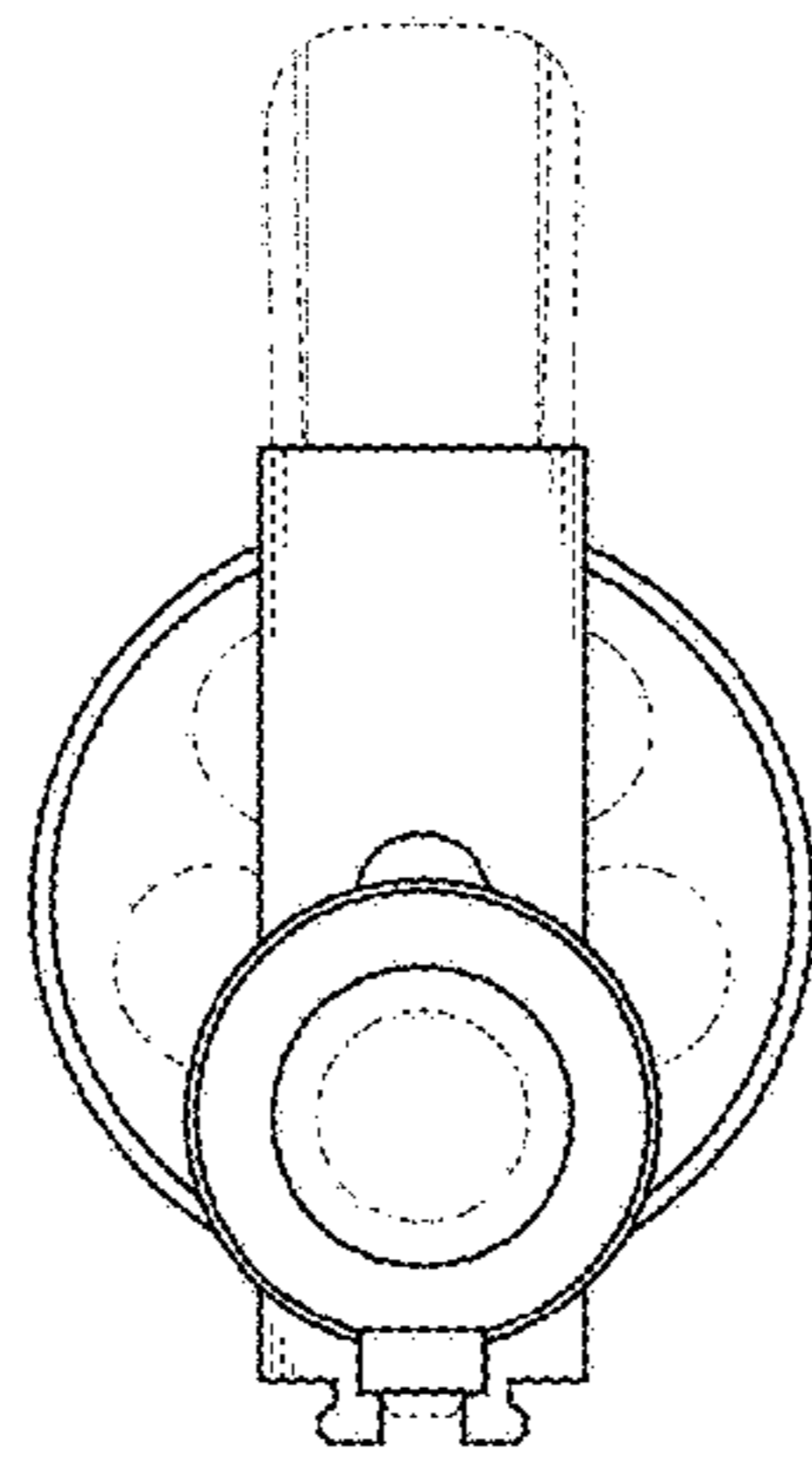


FIG.6

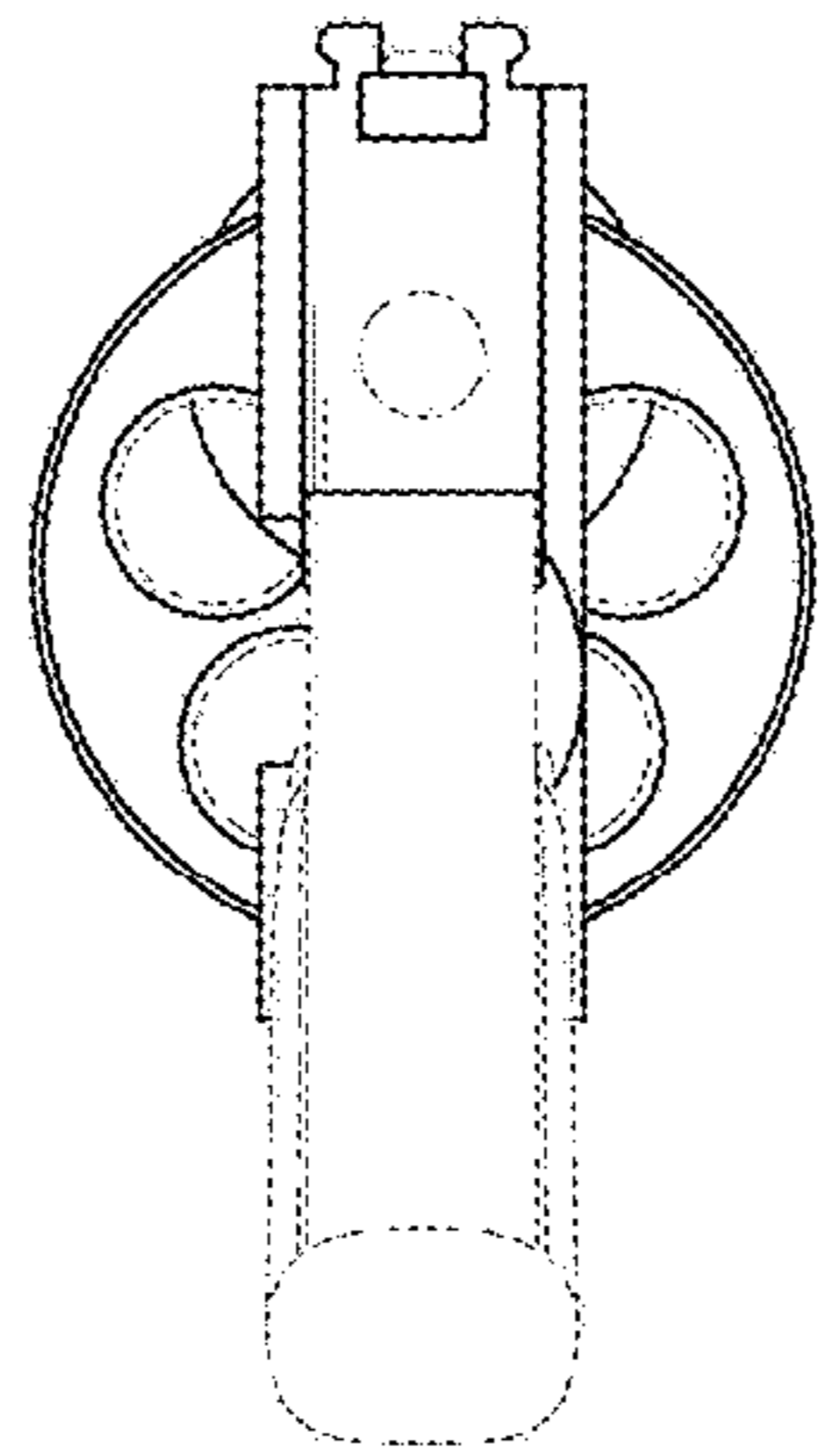


FIG.7