



US00D865094S

(12) **United States Design Patent**  
**Harbert et al.**

(10) **Patent No.:** **US D865,094 S**

(45) **Date of Patent:** **\*\* Oct. 29, 2019**

- (54) **GOLF CLUB HEAD**
- (71) Applicant: **Taylor Made Golf Company, Inc.**,  
Carlsbad, CA (US)
- (72) Inventors: **Christopher John Harbert**, Carlsbad,  
CA (US); **Nathan T. Sargent**,  
Oceanside, CA (US); **Justin David  
Kleinert**, San Clemente, CA (US);  
**Todd P. Beach**, Encinitas, CA (US);  
**Brian Bazzel**, Carlsbad, CA (US);  
**Robert Nunez**, Vista, CA (US)
- (73) Assignee: **Taylor Made Golf Company, Inc.**,  
Carlsbad, CA (US)

D684,229	S	*	6/2013	Curtis	.....	D21/752
D686,679	S	*	7/2013	Greensmith	.....	D21/759
D692,077	S	*	10/2013	Greensmith	.....	D21/759
D708,280	S	*	7/2014	Sargent	.....	D21/759
D708,687	S	*	7/2014	Vrska	.....	D21/759
D709,150	S	*	7/2014	Day	.....	D21/752
D709,571	S	*	7/2014	Sargent	.....	D21/759
D709,572	S	*	7/2014	Sargent	.....	D21/759
D713,901	S	*	9/2014	Vrska	.....	D21/759
9,180,349	B1	*	11/2015	Seluga	.....	A63B 53/04
D770,584	S	*	11/2016	Sargent	.....	D21/759
D782,590	S	*	3/2017	Sargent	.....	D21/759
D791,258	S	*	7/2017	Tang	.....	D21/759
9,764,210	B2	*	9/2017	Curtis	.....	A63B 53/06
D813,965	S	*	3/2018	Sargent	.....	D21/759
D825,699	S	*	8/2018	Sillies	.....	D21/759
10,207,160	B2	*	2/2019	Johnson	.....	A63B 53/0466
2006/0122004	A1	*	6/2006	Chen	.....	A63B 53/0466 473/335

(\*\*) Term: **15 Years**

(Continued)

(21) Appl. No.: **29/636,014**

Primary Examiner — Mitchell I. Siegel

(22) Filed: **Feb. 5, 2018**

(74) Attorney, Agent, or Firm — Klarquist Sparkman,  
LLP

(51) **LOC (12) Cl.** ..... **21-02**

(52) **U.S. Cl.**  
USPC ..... **D21/759**

(58) **Field of Classification Search**  
USPC ..... D21/733, 752, 759  
CPC ..... A63B 53/00; A63B 53/04; A63B 53/0466;  
A63B 2053/002; A63B 2053/0445; A63B  
2053/0433; A63B 60/00; A63B 60/46;  
A63B 2053/0491; A63B 2053/0437  
See application file for complete search history.

(57) **CLAIM**

We claim the ornamental design for a golf club head, as shown and described.

(56) **References Cited**

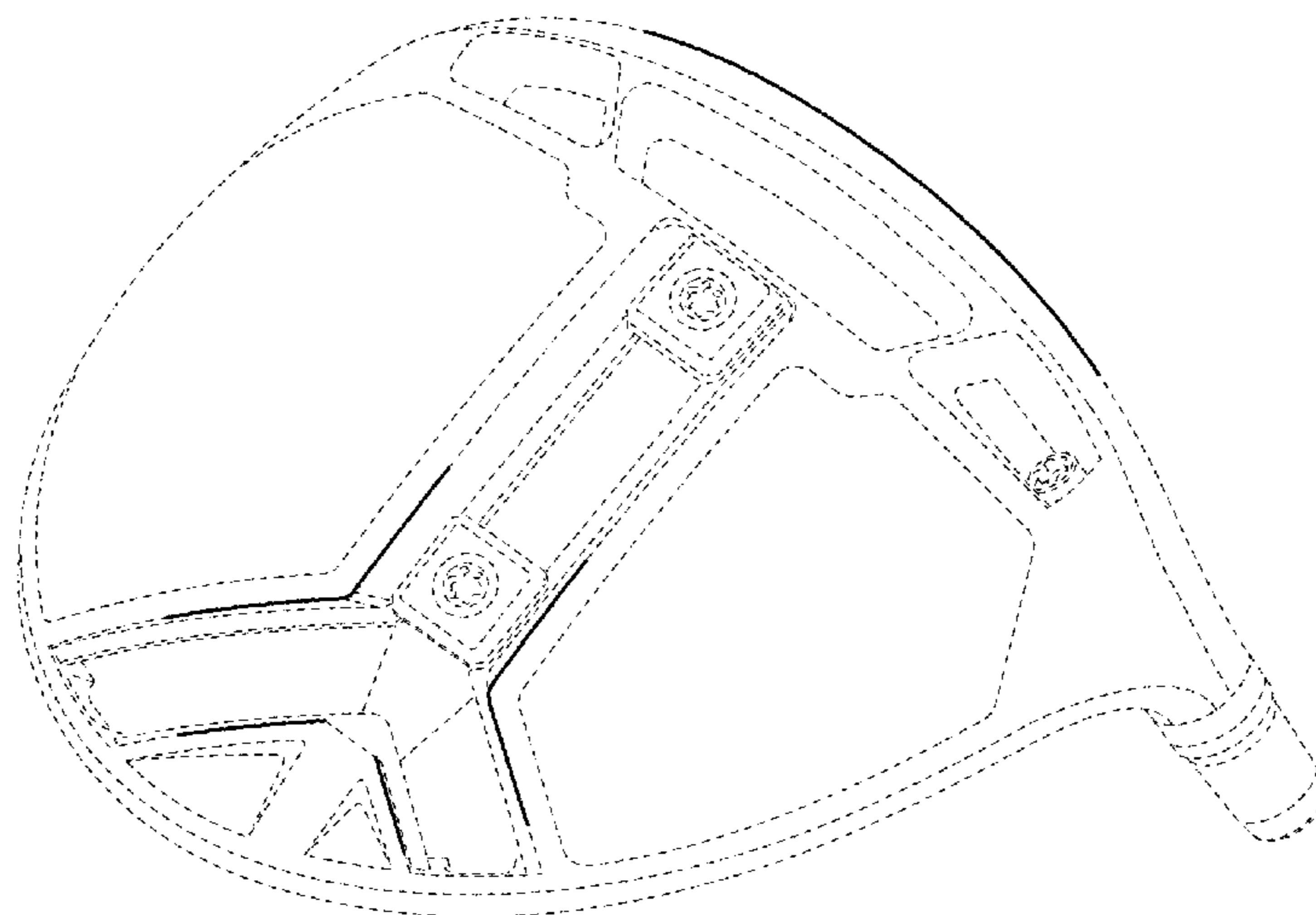
U.S. PATENT DOCUMENTS

D545,389	S	*	6/2007	Glod	.....	D21/759
D587,771	S	*	3/2009	Kuan	.....	D21/759
D619,668	S	*	7/2010	Nunez	.....	D21/752
D622,343	S	*	8/2010	Khan	.....	D21/759
D627,024	S	*	11/2010	Kuan	.....	D21/759
D661,751	S	*	6/2012	Nicolette	.....	D21/752
D675,272	S	*	1/2013	Greensmith	.....	D21/759

**DESCRIPTION**

FIG. 1 is a perspective view of a golf club head, as viewed from the bottom, rear and one side thereof; FIG. 2 is a front elevation view thereof; FIG. 3 is a rear elevation view thereof; FIG. 4 is a toe side elevation view thereof; FIG. 5 is a heel side elevation view thereof; FIG. 6 is a top plan view thereof; and, FIG. 7 is a bottom plan view thereof. The broken line shown are included for the purpose of illustrating unclaimed subject matter and forms no part of the claimed design.

**1 Claim, 4 Drawing Sheets**



(56)

**References Cited**

U.S. PATENT DOCUMENTS

2014/0080628 A1\* 3/2014 Sargent ..... A63B 53/0466  
473/336

\* cited by examiner

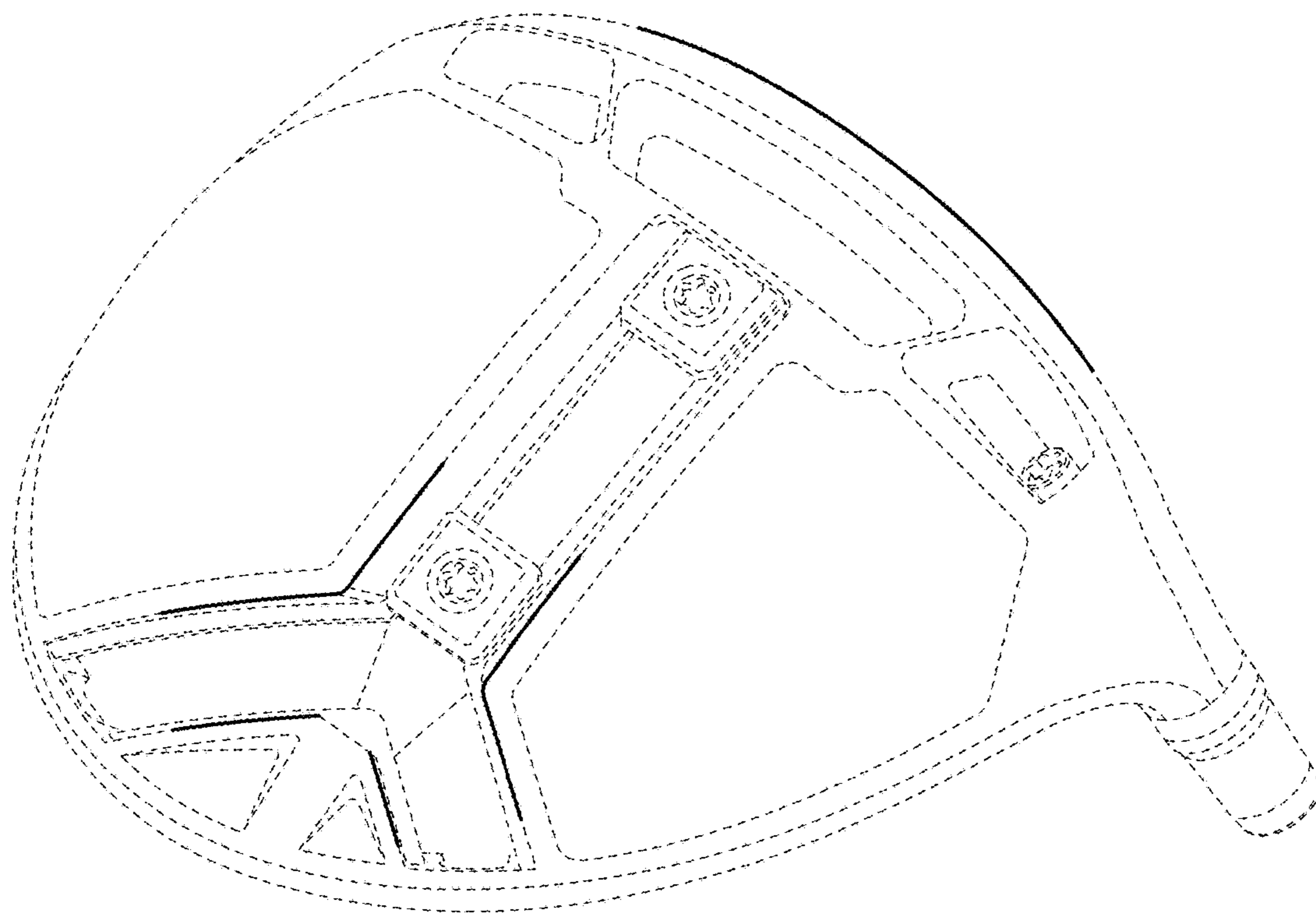


FIG. 1

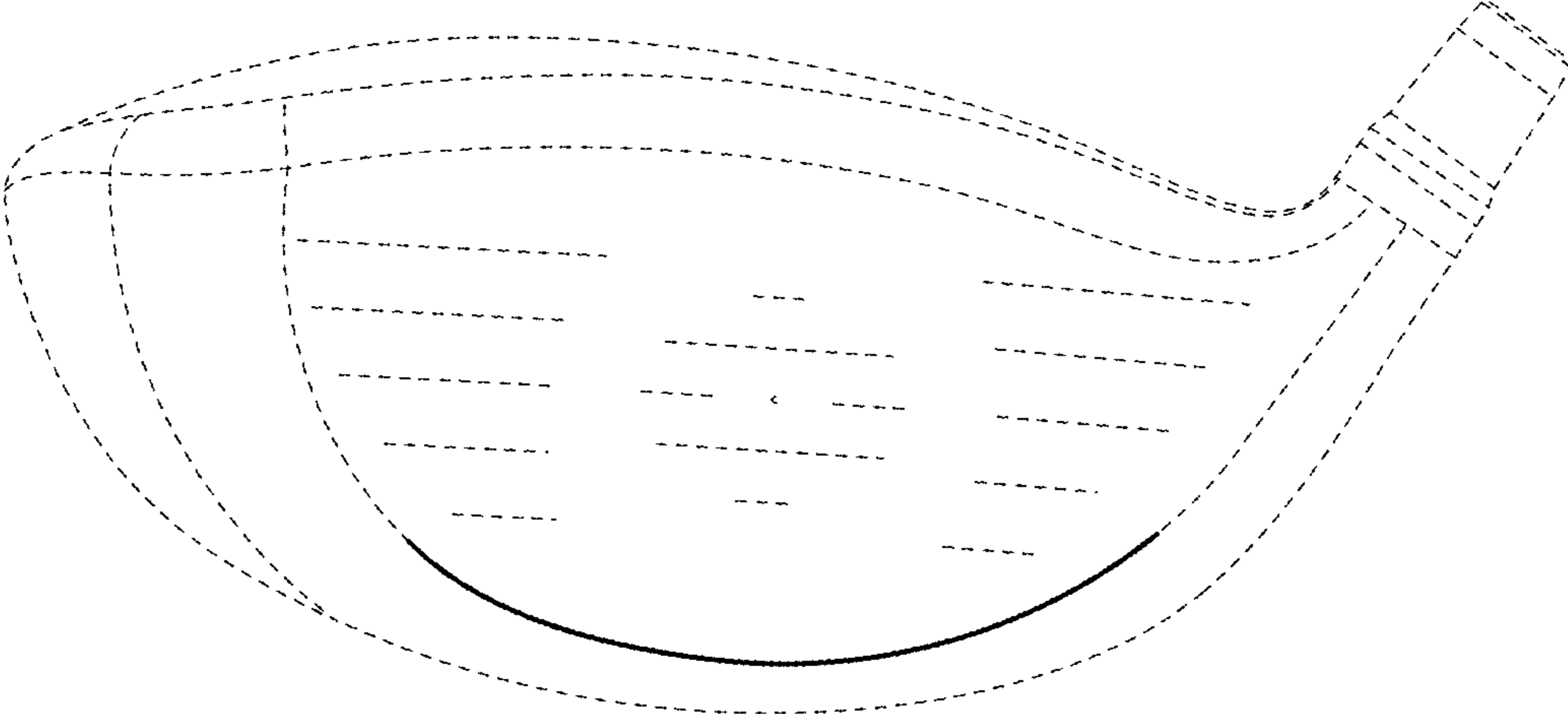


FIG. 2

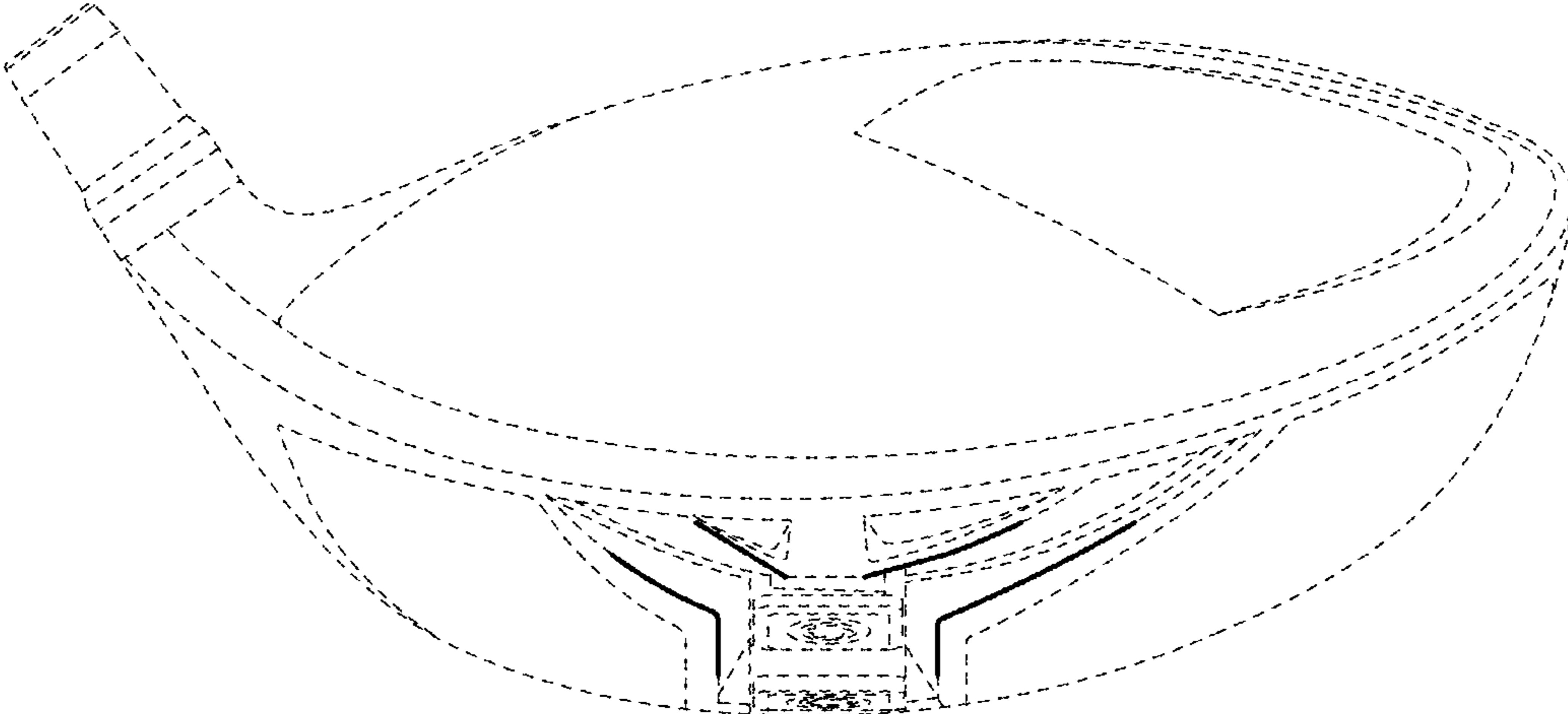


FIG. 3

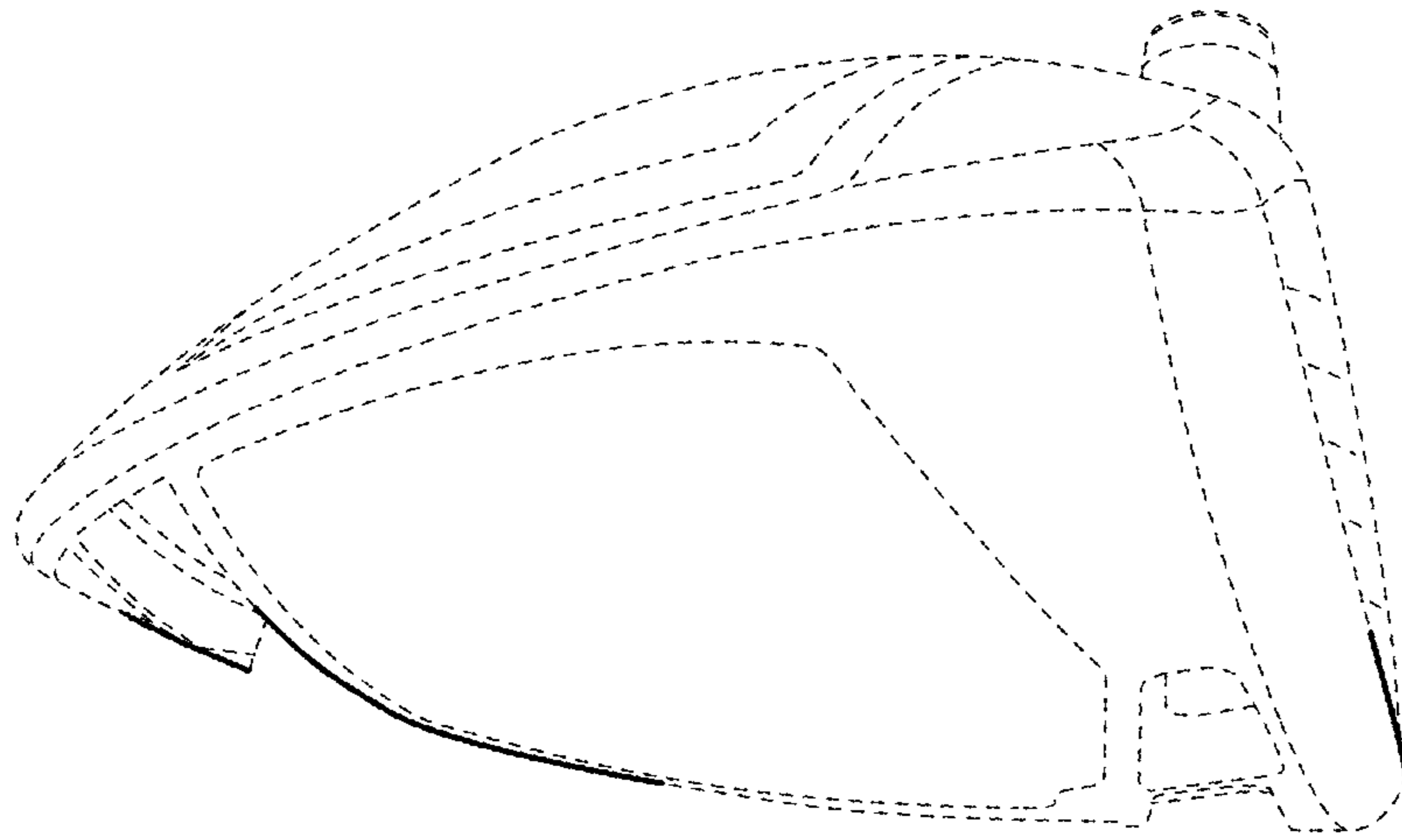


FIG. 4

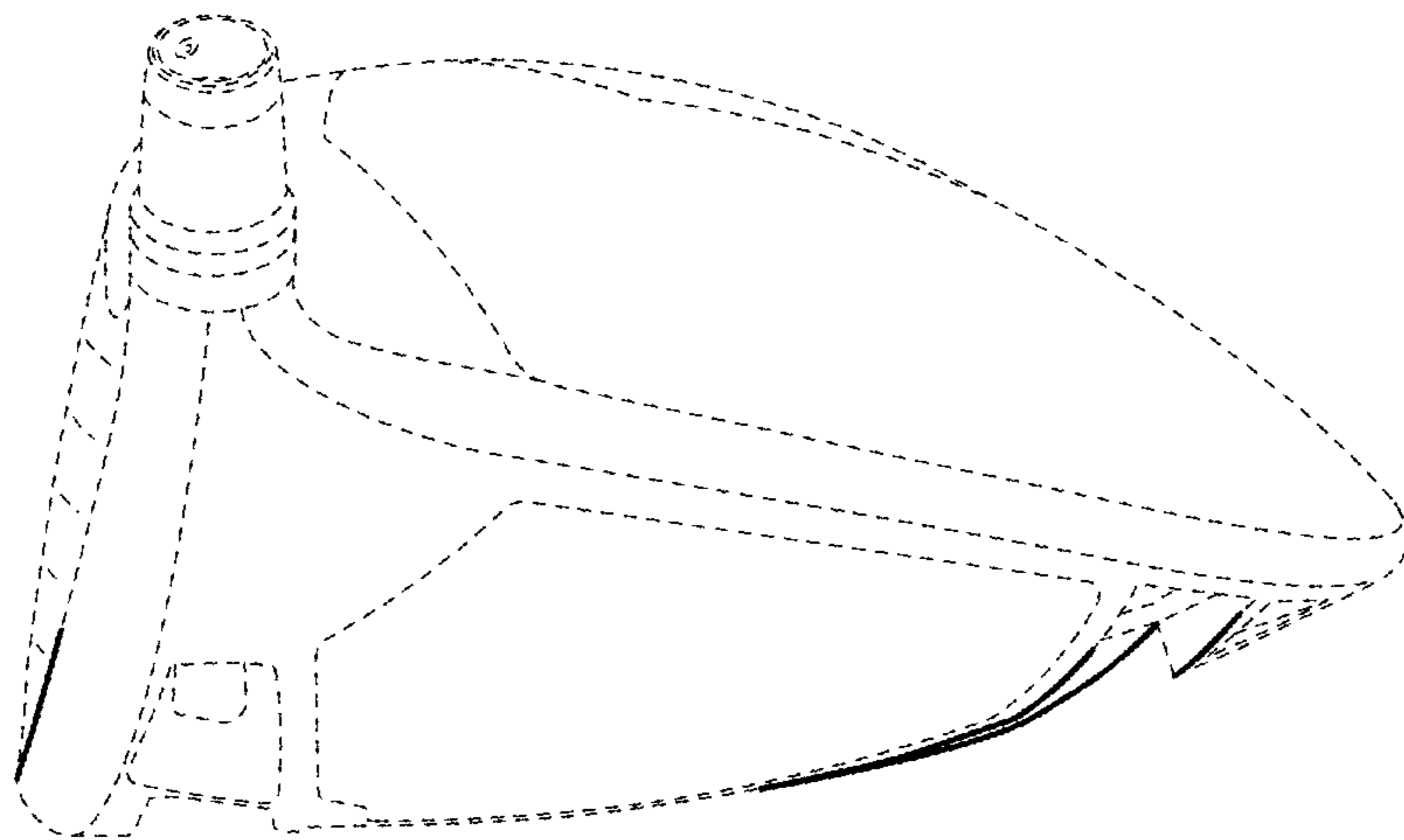


FIG. 5



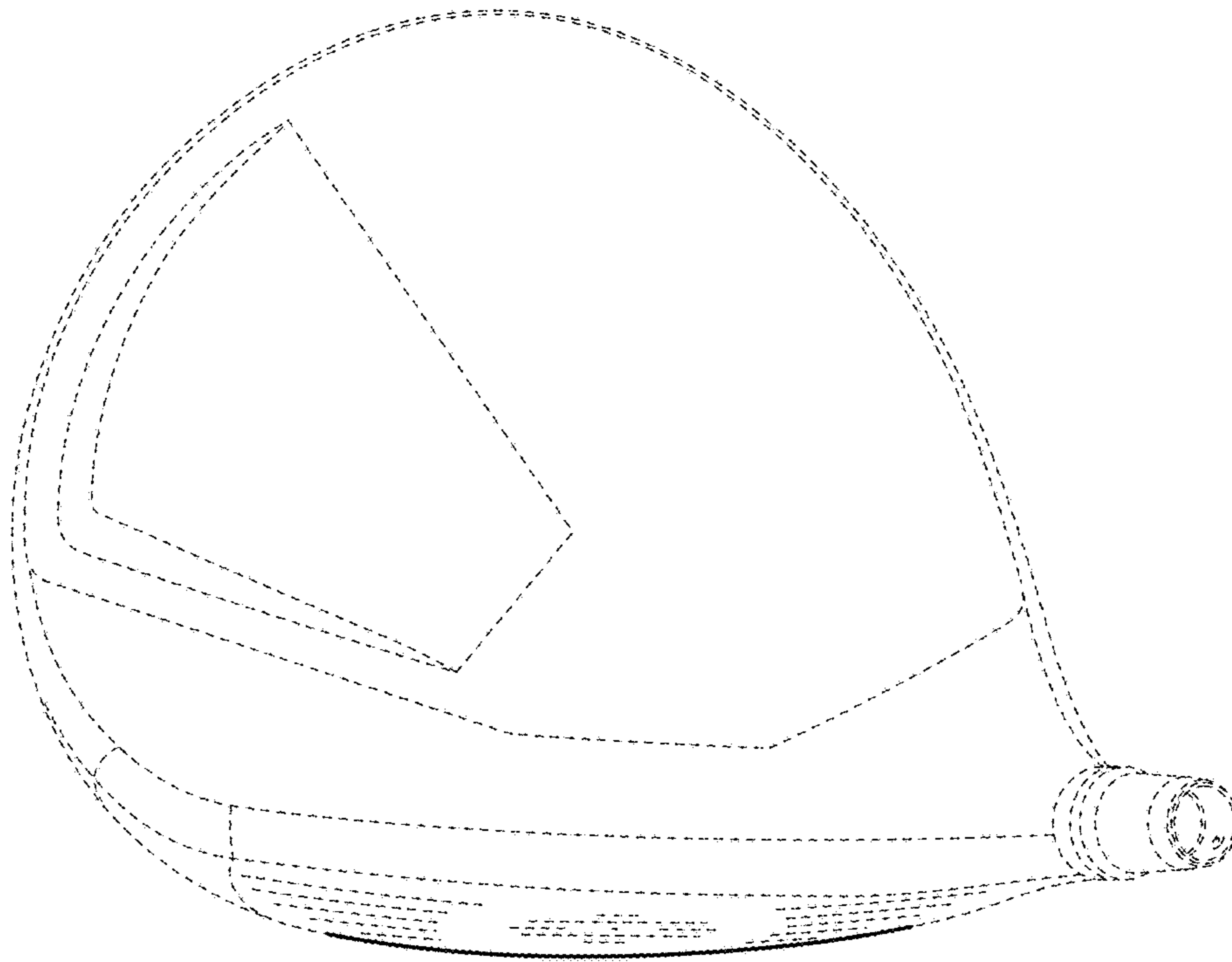


FIG. 6

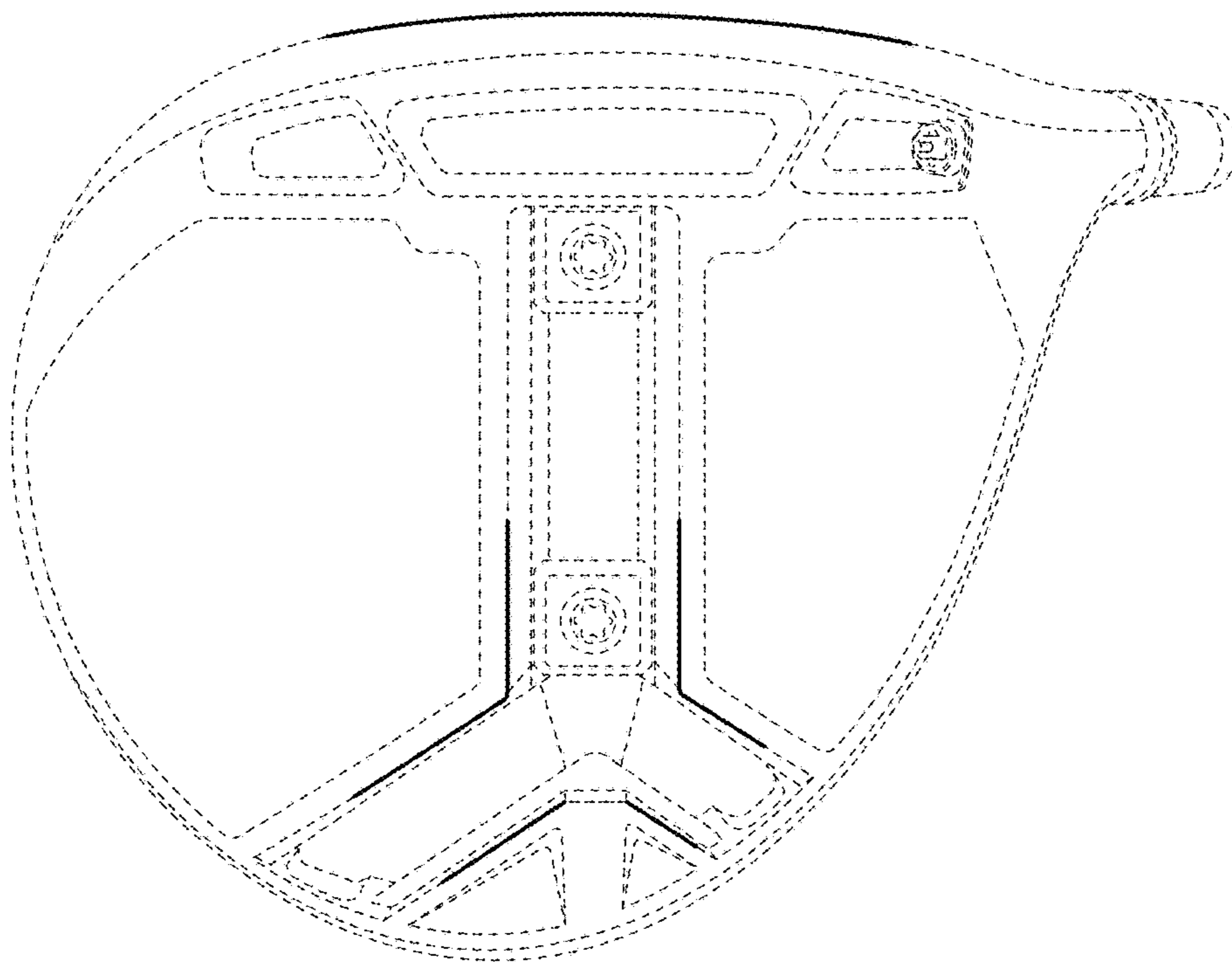


FIG. 7