



US00D865090S

(12) **United States Design Patent**  
**Rollinson et al.**

(10) **Patent No.:** **US D865,090 S**

(45) **Date of Patent:** **\*\* Oct. 29, 2019**

(54) **PUTTER HEAD**

(71) Applicant: **Callaway Golf Company**, Carlsbad, CA (US)

(72) Inventors: **Augustin W. Rollinson**, Solana Beach, CA (US); **Sean Toulon**, Vista, CA (US)

(73) Assignee: **Callaway Golf Company**, Carlsbad, CA (US)

(\*\*) Term: **15 Years**

(21) Appl. No.: **29/663,362**

(22) Filed: **Sep. 14, 2018**

(51) **LOC (12) Cl.** ..... **21-02**

(52) **U.S. Cl.**  
USPC ..... **D21/743**

(58) **Field of Classification Search**  
USPC ..... D21/736-746  
CPC ..... A63B 53/00; A63B 53/04; A63B 53/007;  
A63B 53/065; A63B 53/0487; A63B  
60/00; A63B 60/46  
See application file for complete search history.

(56) **References Cited**

**U.S. PATENT DOCUMENTS**

D207,227 S *	3/1967	Solheim	.....	D21/739
D239,951 S *	5/1976	Carrier	.....	D21/742
D389,207 S *	1/1998	Cameron	.....	D21/742
D443,906 S *	6/2001	Hettinger	.....	D21/743
D485,320 S *	1/2004	Breier	.....	D21/736
D498,276 S *	11/2004	Schweigert	.....	D21/743
D521,580 S *	5/2006	Burrows	.....	D21/736
D535,712 S *	1/2007	Toroussian	.....	D21/749
D548,294 S *	8/2007	Nguyen	.....	D21/736
D562,921 S *	2/2008	Nguyen	.....	D21/742
D565,677 S *	4/2008	Cameron	.....	D21/736
D565,678 S *	4/2008	Cameron	.....	D21/736
D583,887 S *	12/2008	Cameron	.....	D21/743

D590,462 S *	4/2009	Hettinger	.....	D21/743
D638,892 S *	5/2011	Hettinger	.....	D21/743
D643,893 S *	8/2011	Rollinson	.....	D21/742
D648,407 S *	11/2011	Teramoto	.....	D21/743
D650,456 S *	12/2011	Tang	.....	D21/743
D688,339 S *	8/2013	Hilton	.....	D21/736
D689,574 S *	9/2013	Rollinson	.....	D21/743
D691,225 S *	10/2013	Hilton	.....	D21/736
D702,782 S *	4/2014	Wempe	.....	D21/743
9,033,812 B2 *	5/2015	Solheim	.....	A63B 53/007 473/238
D763,373 S *	8/2016	Cardani	.....	D21/736
D763,383 S *	8/2016	Cardani	.....	D21/759
D769,383 S *	10/2016	Abbott	.....	D21/743
D784,468 S *	4/2017	Rollinson	.....	D21/743
D792,929 S *	7/2017	Serrano	.....	D21/743
D796,597 S *	9/2017	Serrano	.....	D21/736
D797,220 S *	9/2017	Serrano	.....	D21/743
D817,424 S *	5/2018	Toulon	.....	D21/759

(Continued)

*Primary Examiner* — Mitchell I. Siegel

(74) *Attorney, Agent, or Firm* — Rebecca Hanovice; Michael Catania; Sonia Lari

(57) **CLAIM**

The ornamental design for a putter head, as shown and described.

**DESCRIPTION**

FIG. 1 is a rear perspective view of the putter head claimed herein;

FIG. 2 is a rear elevational view thereof;

FIG. 3 is a front elevational view thereof;

FIG. 4 is a right side elevational view thereof;

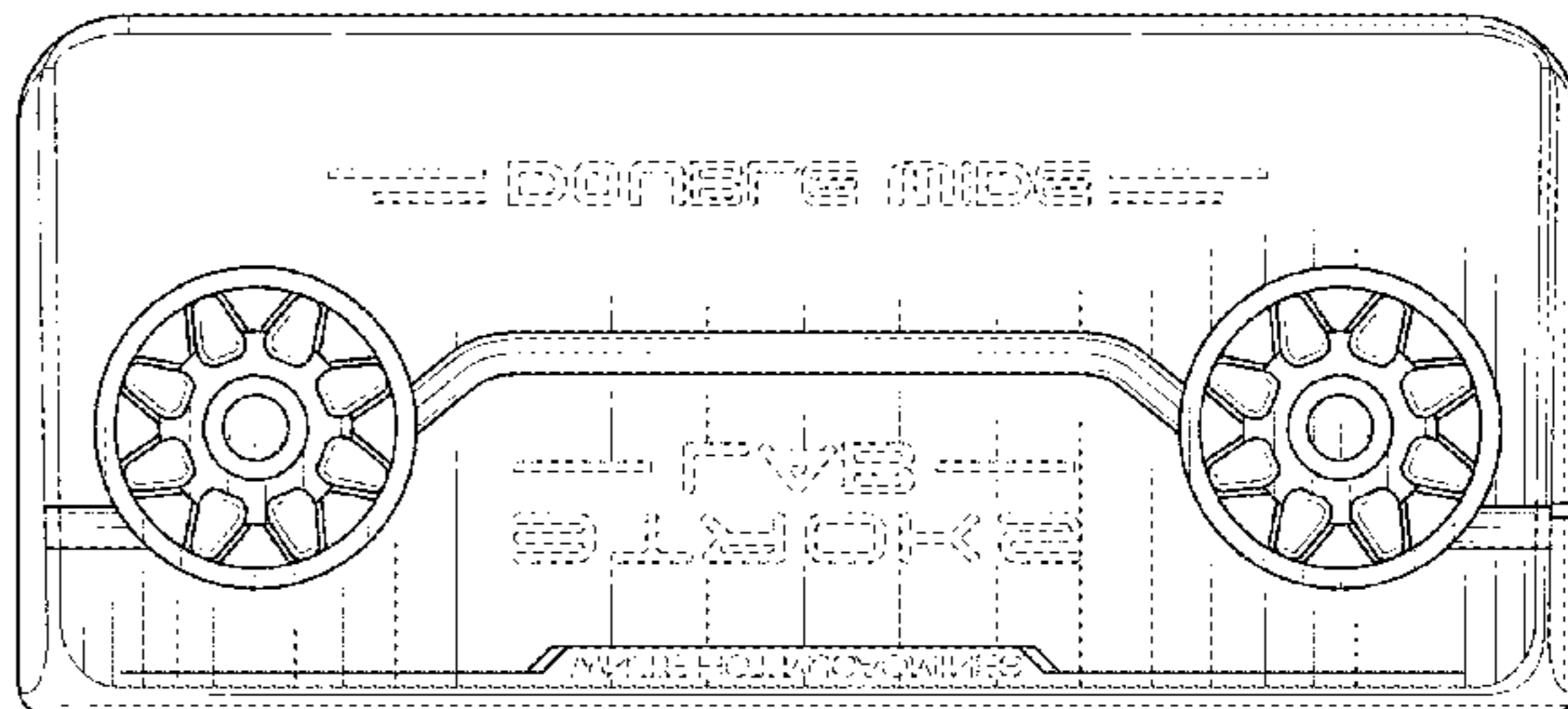
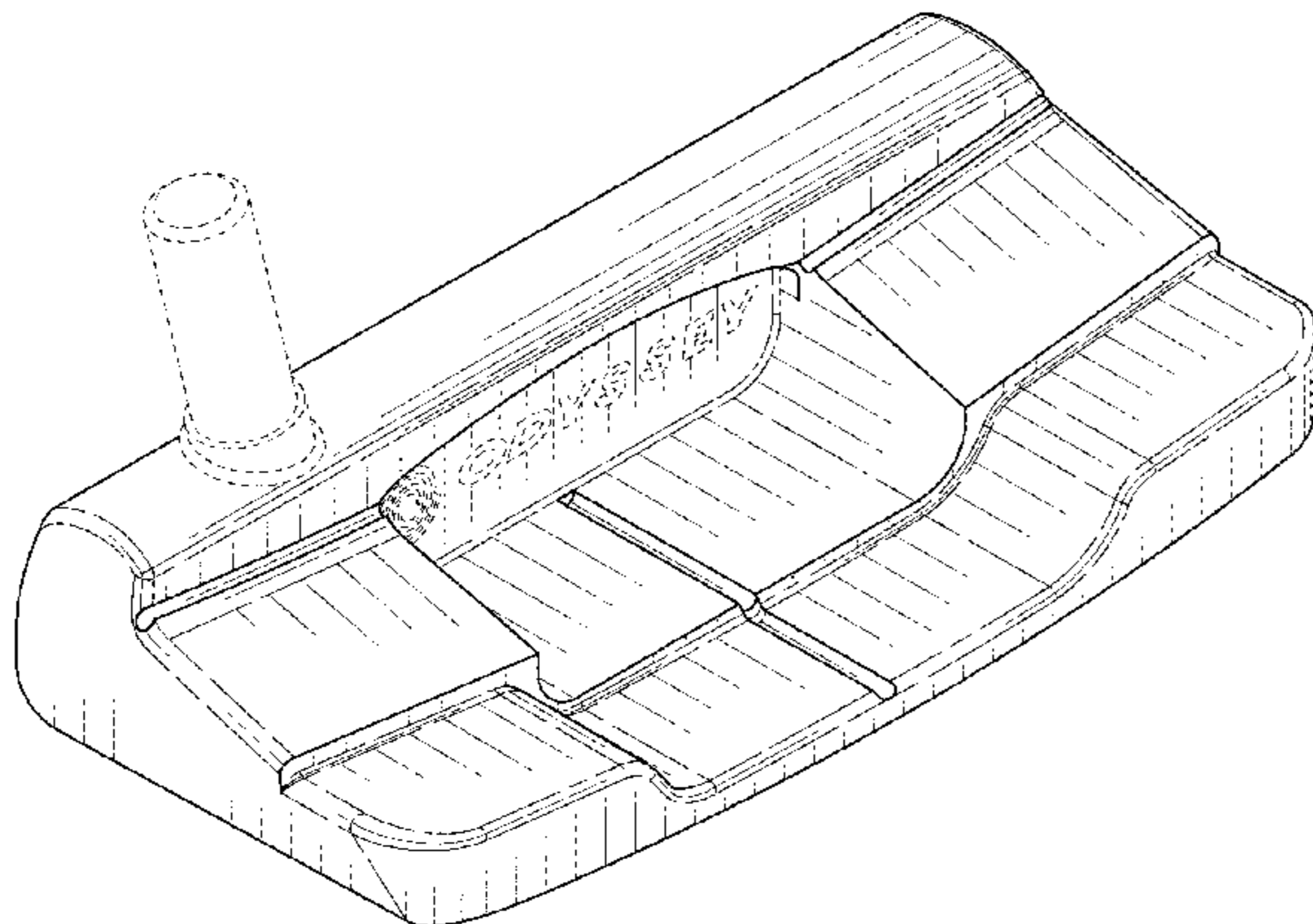
FIG. 5 is a left side elevational view thereof;

FIG. 6 is a top plan view thereof; and,

FIG. 7 is a bottom plan view thereof.

The broken lines shown are included for the purpose of illustrating unclaimed subject matter and forms no part of the claimed design.

**1 Claim, 4 Drawing Sheets**



(56)

**References Cited**

U.S. PATENT DOCUMENTS

D817,425 S *	5/2018	Toulon .....	D21/759
D818,551 S *	5/2018	Toulon .....	D21/759
D837,315 S *	1/2019	Rollinson .....	D21/743
D847,926 S *	5/2019	Wang .....	D21/744
D852,301 S *	6/2019	Serrano .....	D21/743

\* cited by examiner

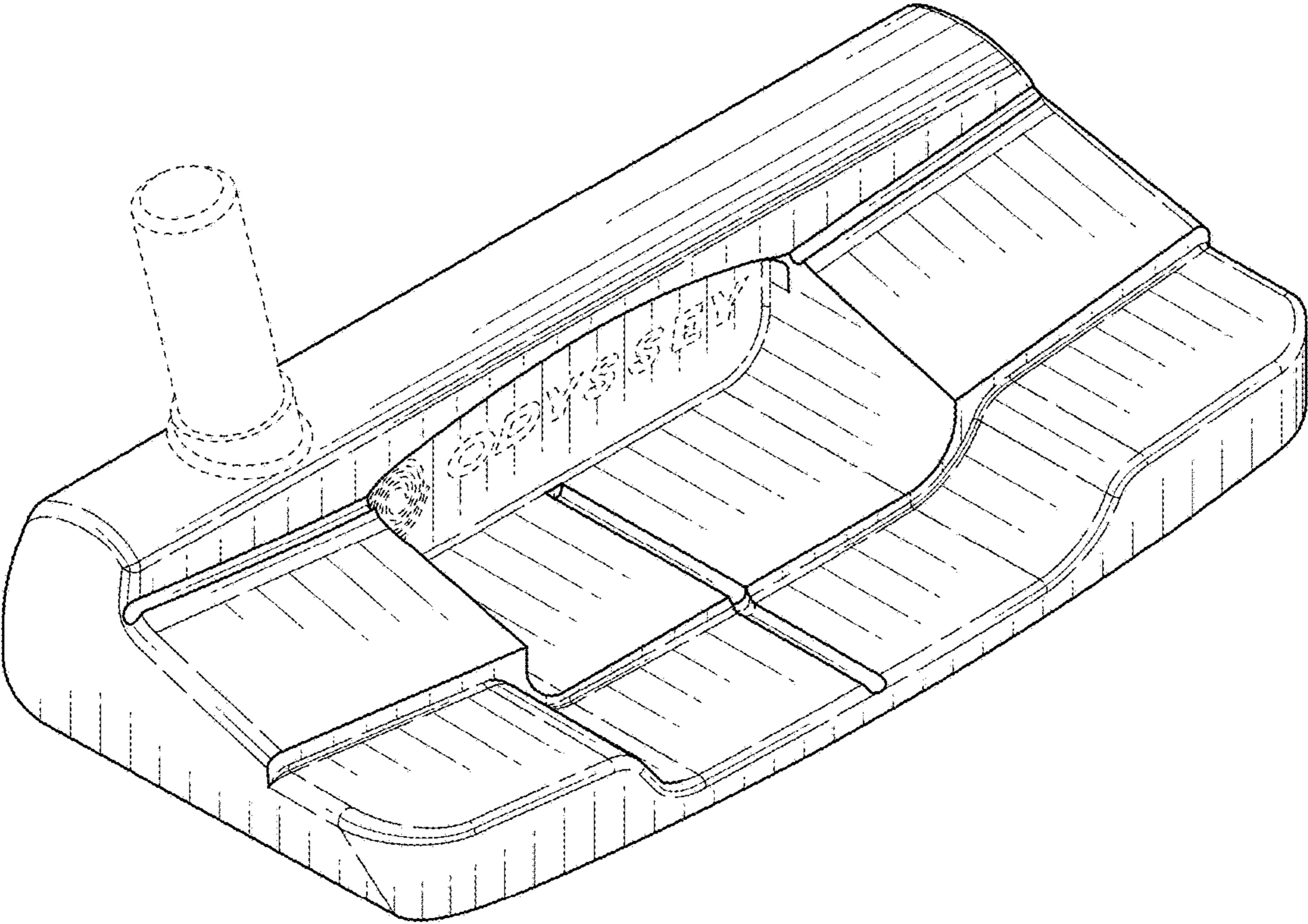


FIG. 1

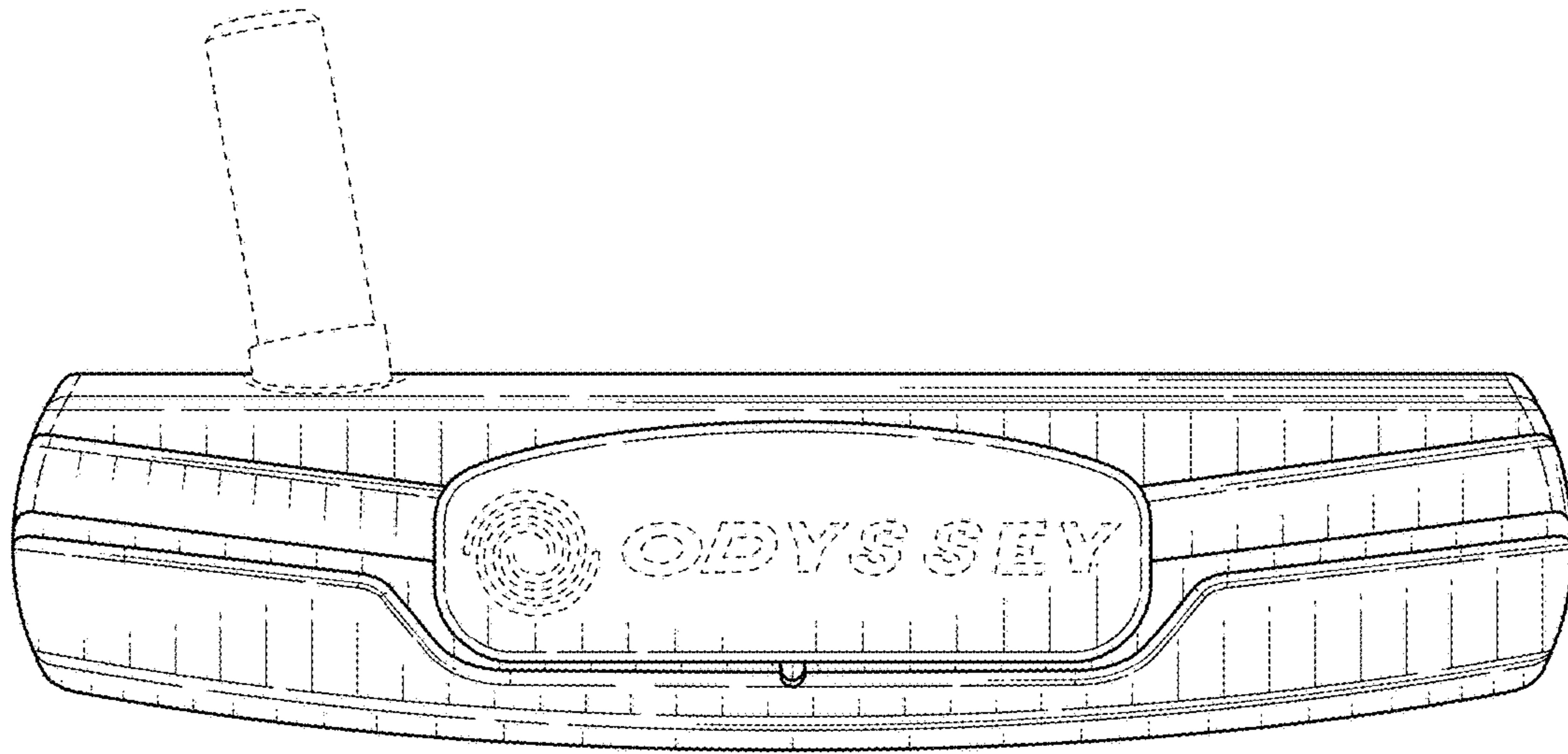


FIG. 2

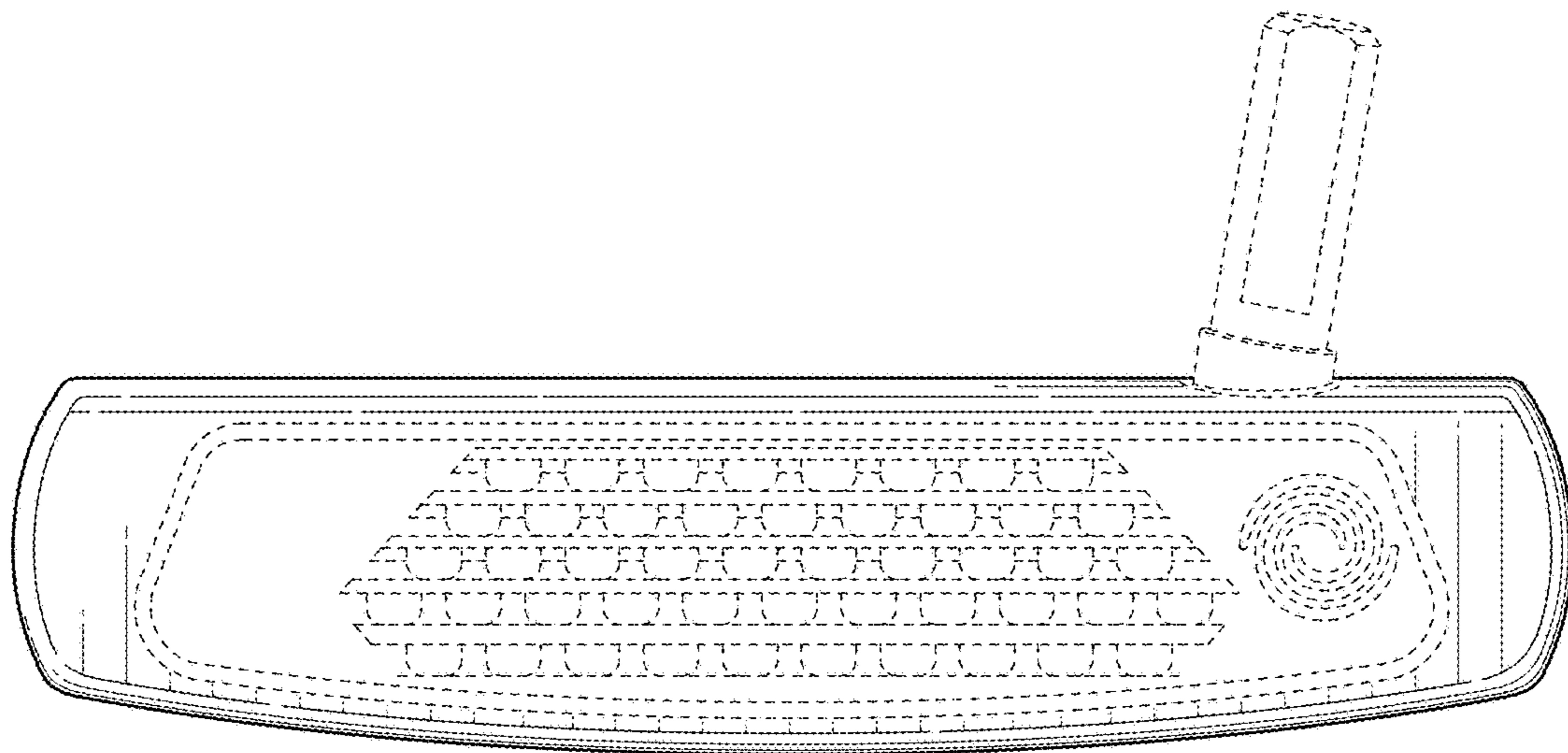


FIG. 3

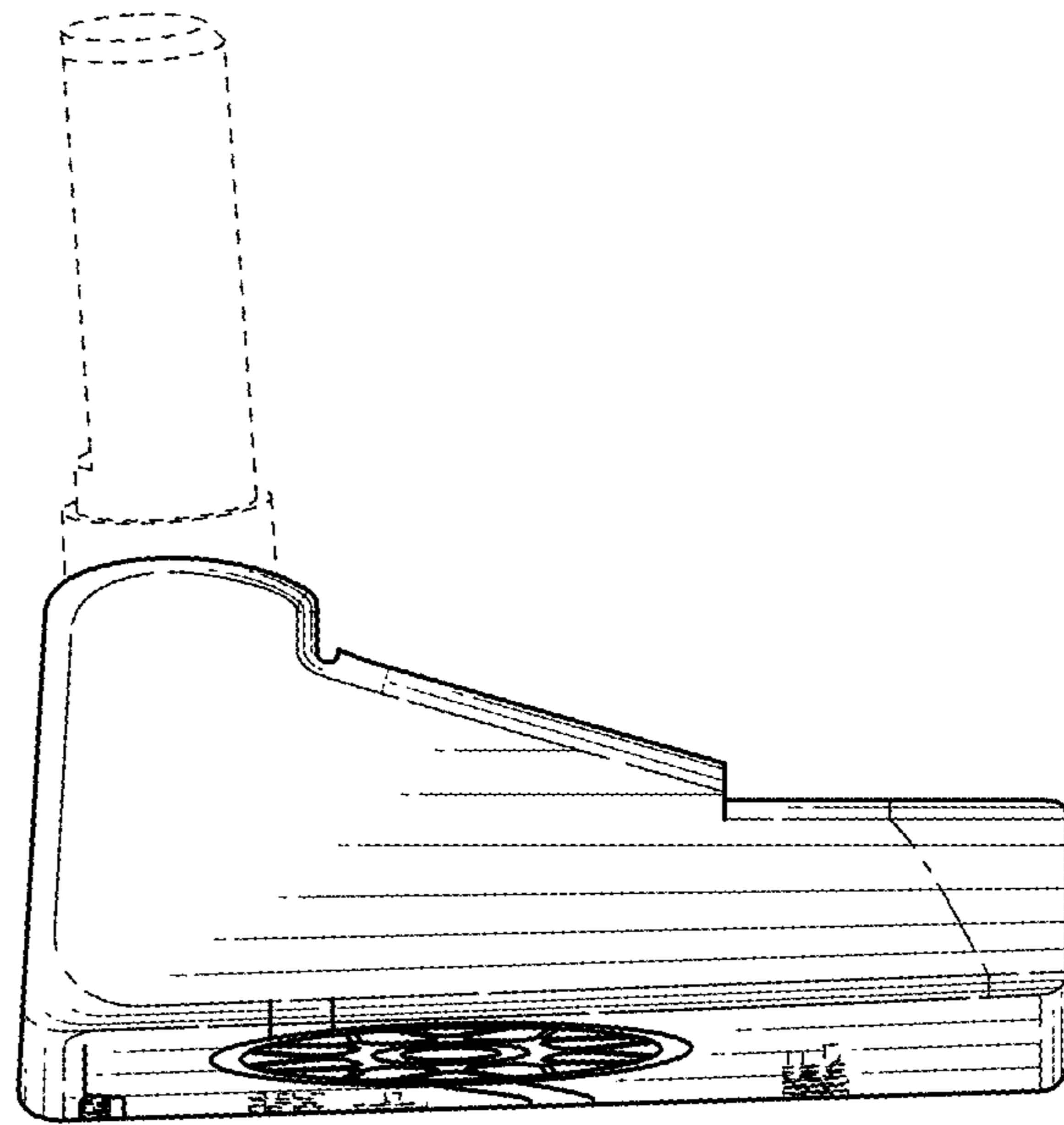


FIG. 4

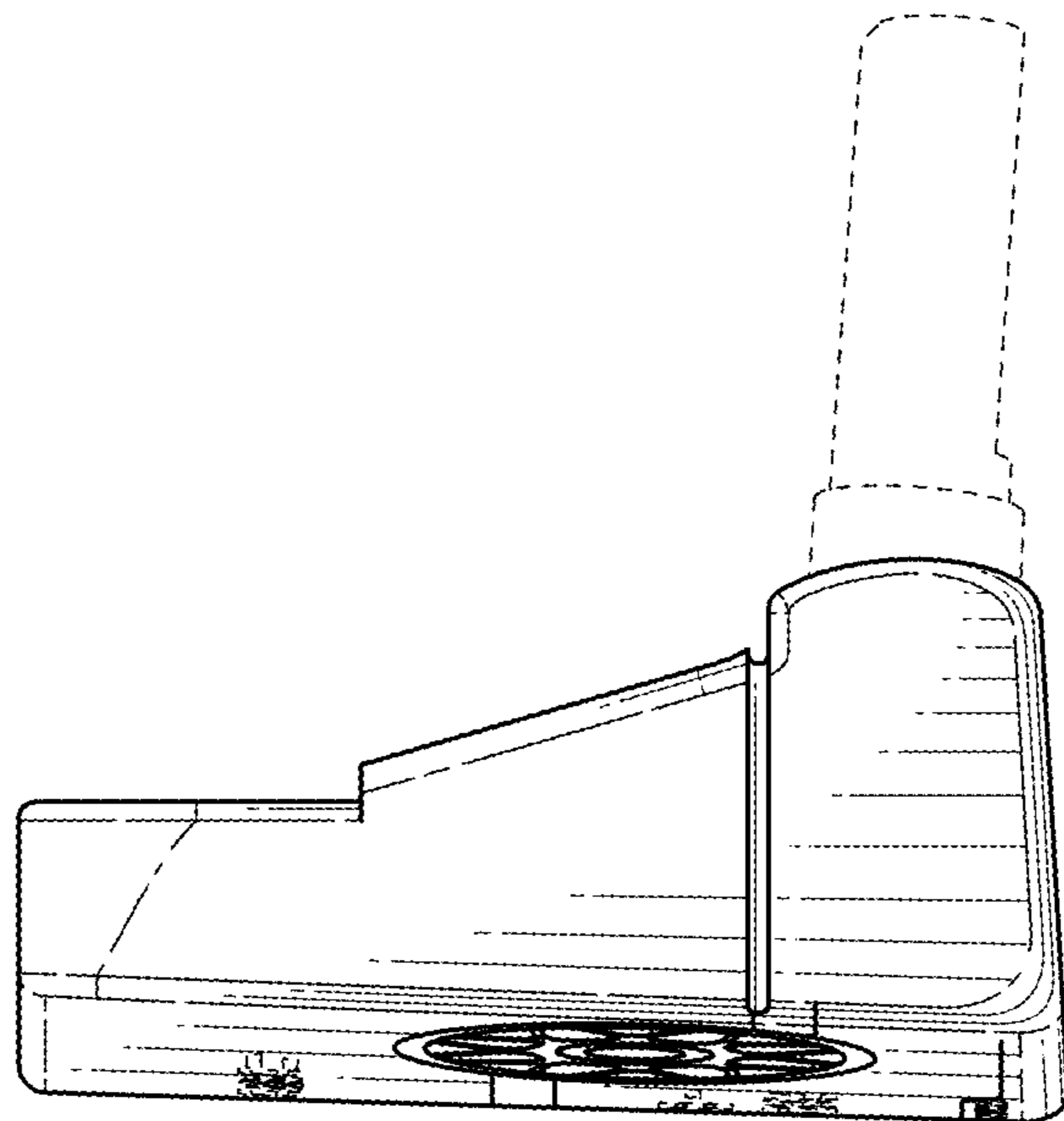


FIG. 5

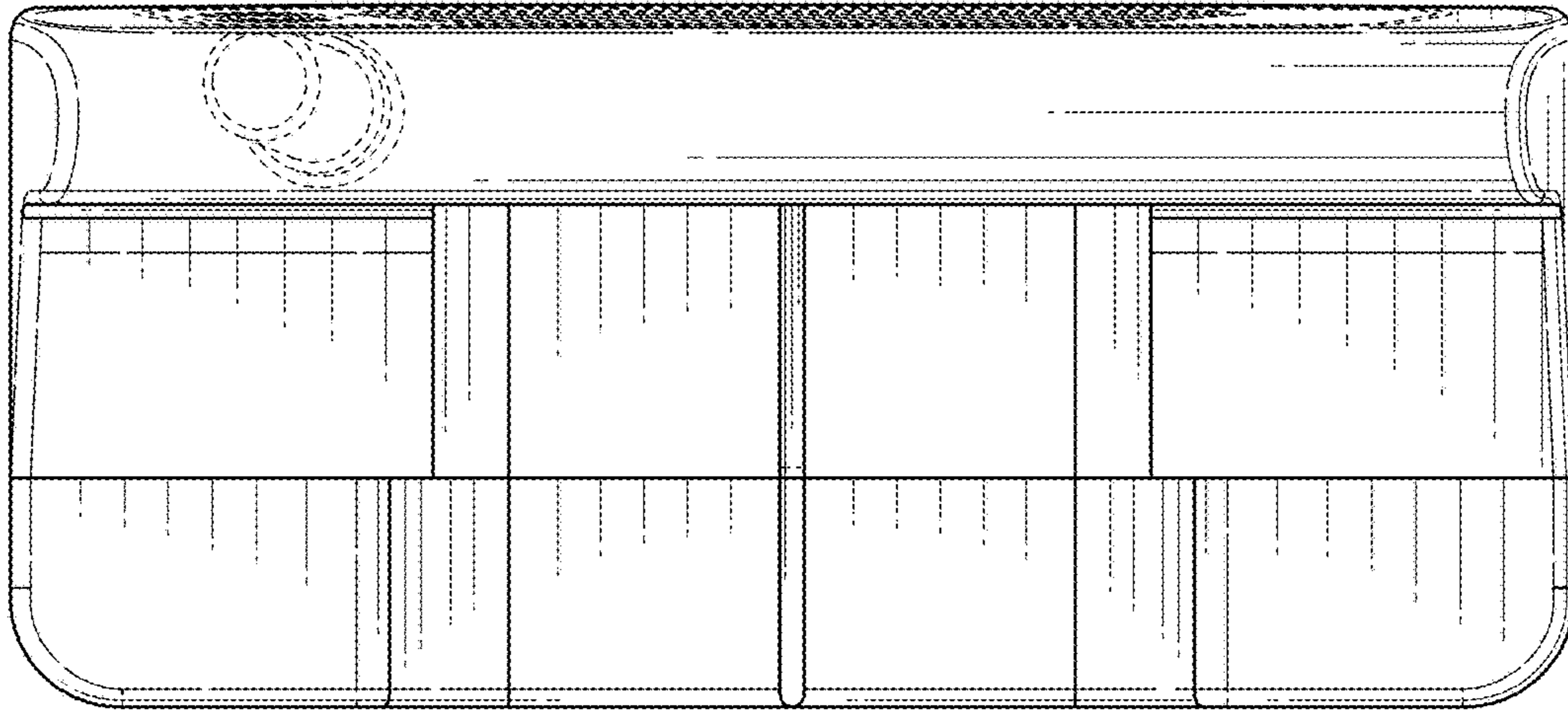


FIG. 6

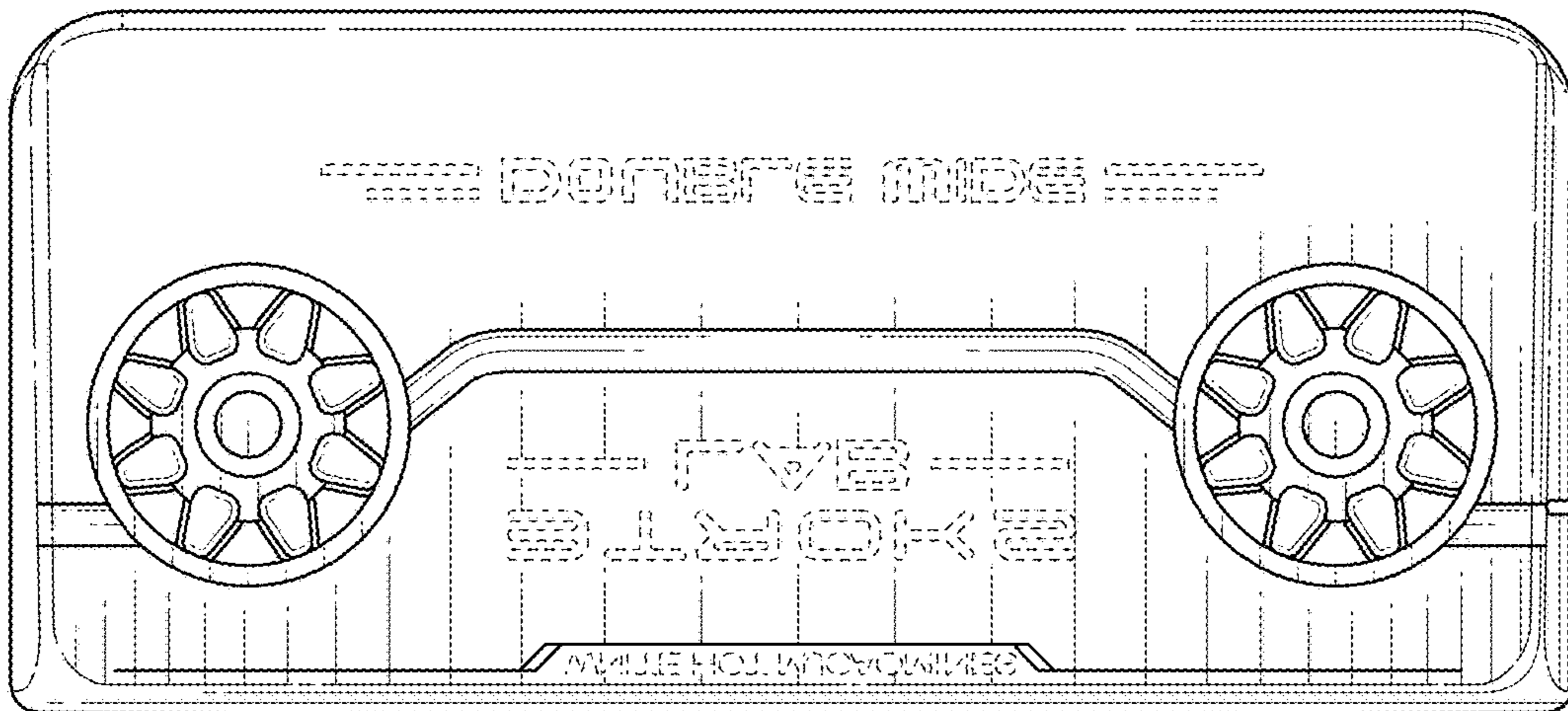


FIG. 7