



US00D865087S

(12) **United States Design Patent**
Parsons

(10) **Patent No.:** **US D865,087 S**

(45) **Date of Patent:** **** *Oct. 29, 2019**

- (54) **DISC GOLF GOAL ADAPTER**
- (71) Applicant: **Kevin Seamus Parsons**, Great Barrington, MA (US)
- (72) Inventor: **Kevin Seamus Parsons**, Great Barrington, MA (US)
- (*) Notice: This patent is subject to a terminal disclaimer.
- (**) Term: **15 Years**
- (21) Appl. No.: **29/546,296**
- (22) Filed: **Nov. 20, 2015**
- (51) **LOC (12) Cl.** **21-02**
- (52) **U.S. Cl.**
USPC **D21/699; D21/302**
- (58) **Field of Classification Search**
USPC D21/301-303, 305, 698, 699-705, 790;
473/431-433, 476, 478, 479, 485, 487,
473/172, 173, 197; 273/317.2, 348, 394,
273/396, 397, 398, 400, 401, 402, 406,
273/407
CPC ... A63B 63/00; A63B 63/08; A63B 2063/001;
A63B 2063/002; A63B 67/00; A63B
67/06; A63B 67/002; A63B 67/02; A63B
71/022
See application file for complete search history.

- 4,611,812 A * 9/1986 Morrison A63B 63/08
473/485
 - 4,900,011 A * 2/1990 Nolet A47D 13/063
482/29
 - 5,048,845 A * 9/1991 Dunipace A63B 67/06
273/400
 - 5,522,598 A * 6/1996 Loyd A63B 63/08
273/402
 - 5,836,837 A * 11/1998 Craig A63B 7/002
273/394
 - 6,494,455 B1 * 12/2002 Headrick A63B 63/00
273/400
 - 7,448,968 B1 * 11/2008 Petion A63B 63/00
473/422
 - D768,794 S * 10/2016 Fiske D21/302
 - D793,498 S * 8/2017 Manus D21/699
- (Continued)

Primary Examiner — Catherine A Tuttle
(74) *Attorney, Agent, or Firm* — Baker and Rannells, PA

(57) **CLAIM**

The ornamental design for a disc golf goal adapter, as shown and described.

DESCRIPTION

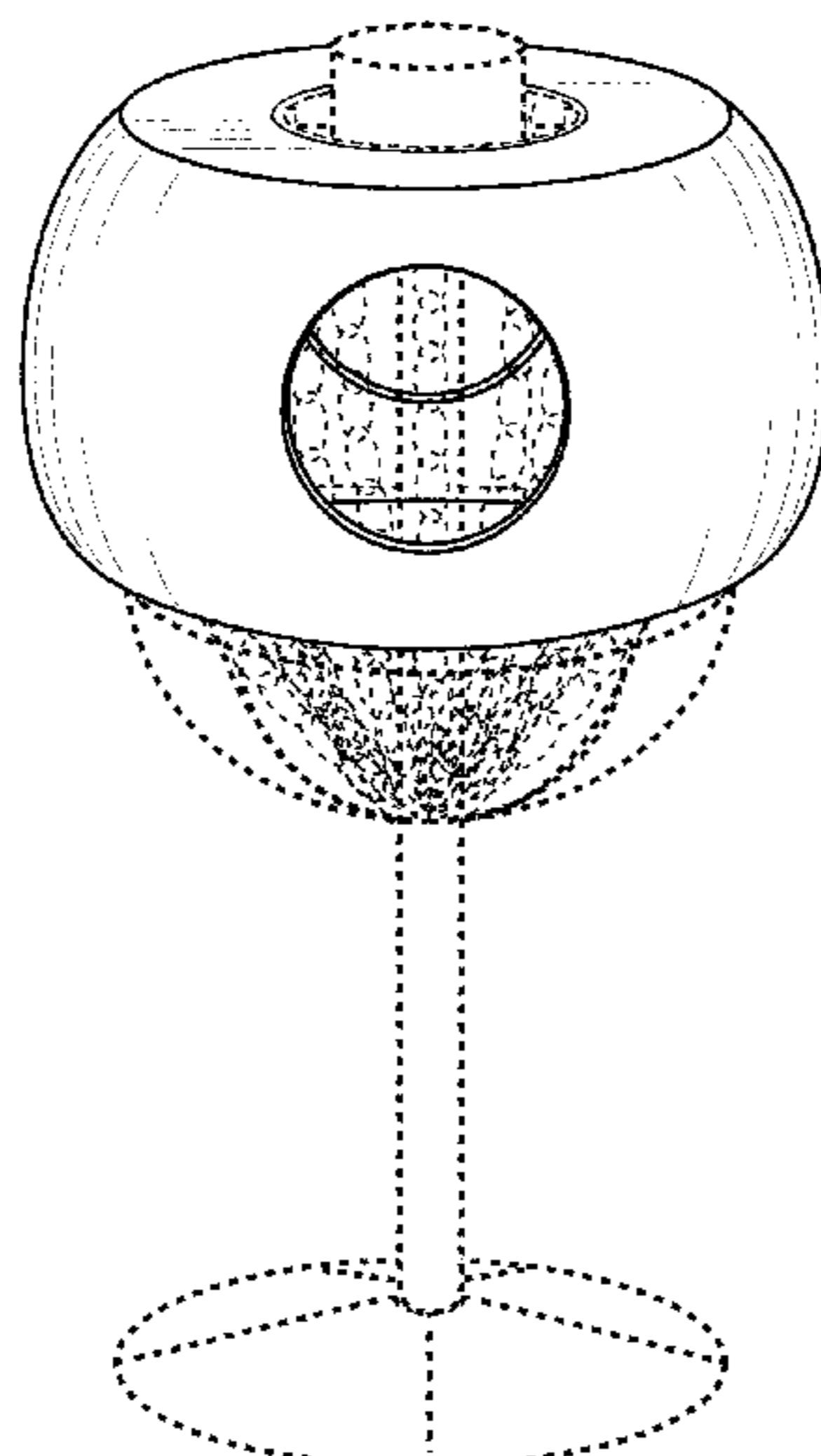
FIG. 1 is a top perspective view of the disc golf goal adapter showing my new design together with broken lines representing its environment;
 FIG. 2 is a top perspective view similar to FIG. 1 but without the environmental structures;
 FIG. 3 is a bottom perspective view thereof;
 FIG. 4 is a front elevational view thereof, whereby the opposing rear elevation view is a mirror image;
 FIG. 5 is a right side elevational view thereof, whereby the opposing left side elevation view is a mirror image;
 FIG. 6 is a top plan view thereof; and,
 FIG. 7 is a bottom plan view thereof.
 The broken lines showing the environmental structure in FIG. 1 and portions of the disc golf goal adapter in FIGS. 1-3, 6 and 7 are for illustrative purposes only and form no part of the claimed design.

1 Claim, 4 Drawing Sheets

(56) **References Cited**

U.S. PATENT DOCUMENTS

- 1,169,966 A * 2/1916 Kenstowicz F41J 1/00
273/401
- 2,126,873 A * 8/1938 Czajkowski A63F 9/0243
273/342
- 2,194,779 A * 3/1940 Albach A63B 63/08
473/485
- 2,545,615 A * 3/1951 Hatley A63F 9/0204
473/476



(56)

References Cited

U.S. PATENT DOCUMENTS

2003/0190981 A1* 10/2003 Walker, Jr. A63B 69/0071
473/447
2009/0005196 A1* 1/2009 Kessler A63B 63/00
473/476
2009/0017943 A1* 1/2009 Landry A63B 57/00
473/404

* cited by examiner

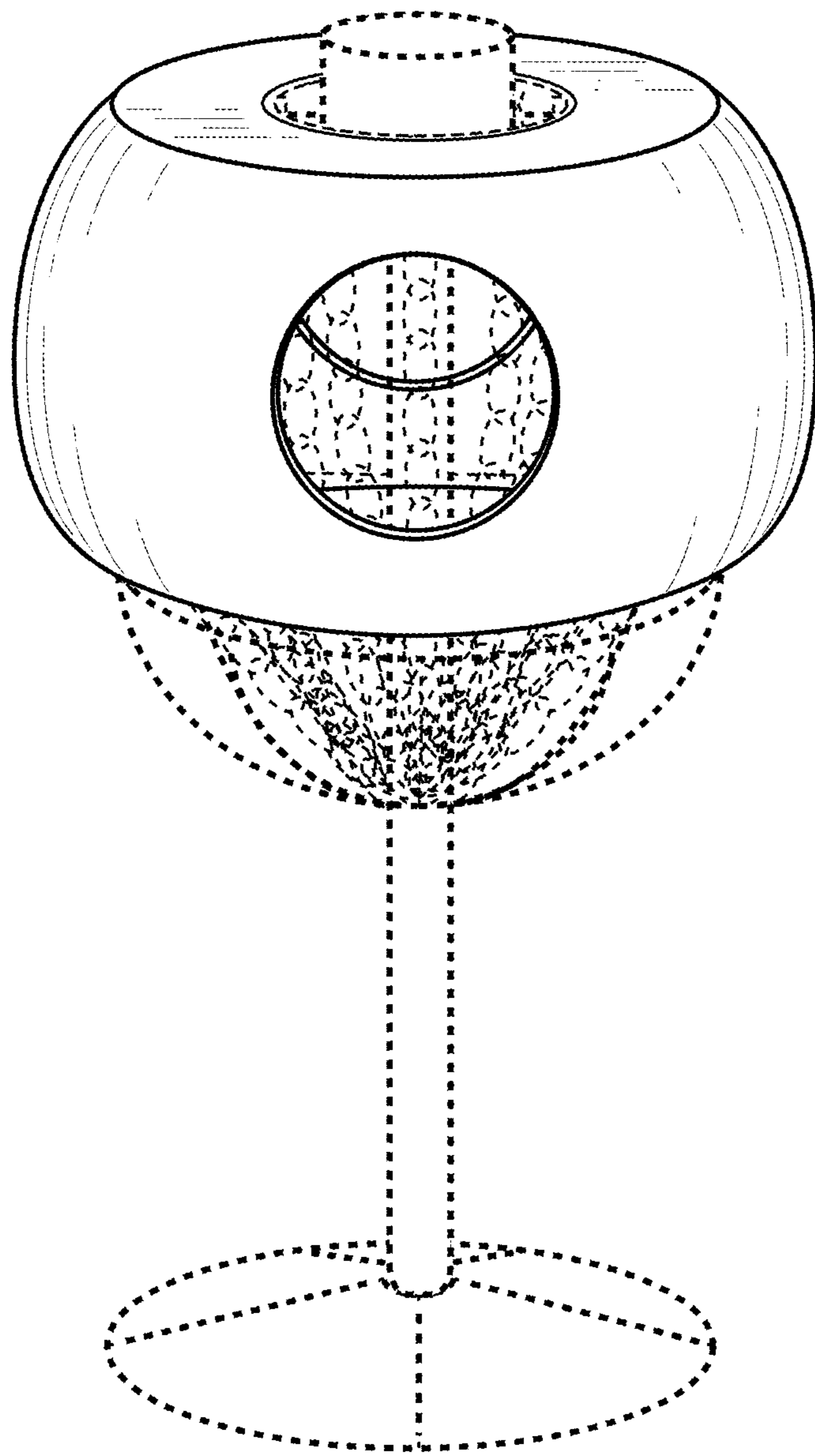


FIG. 1

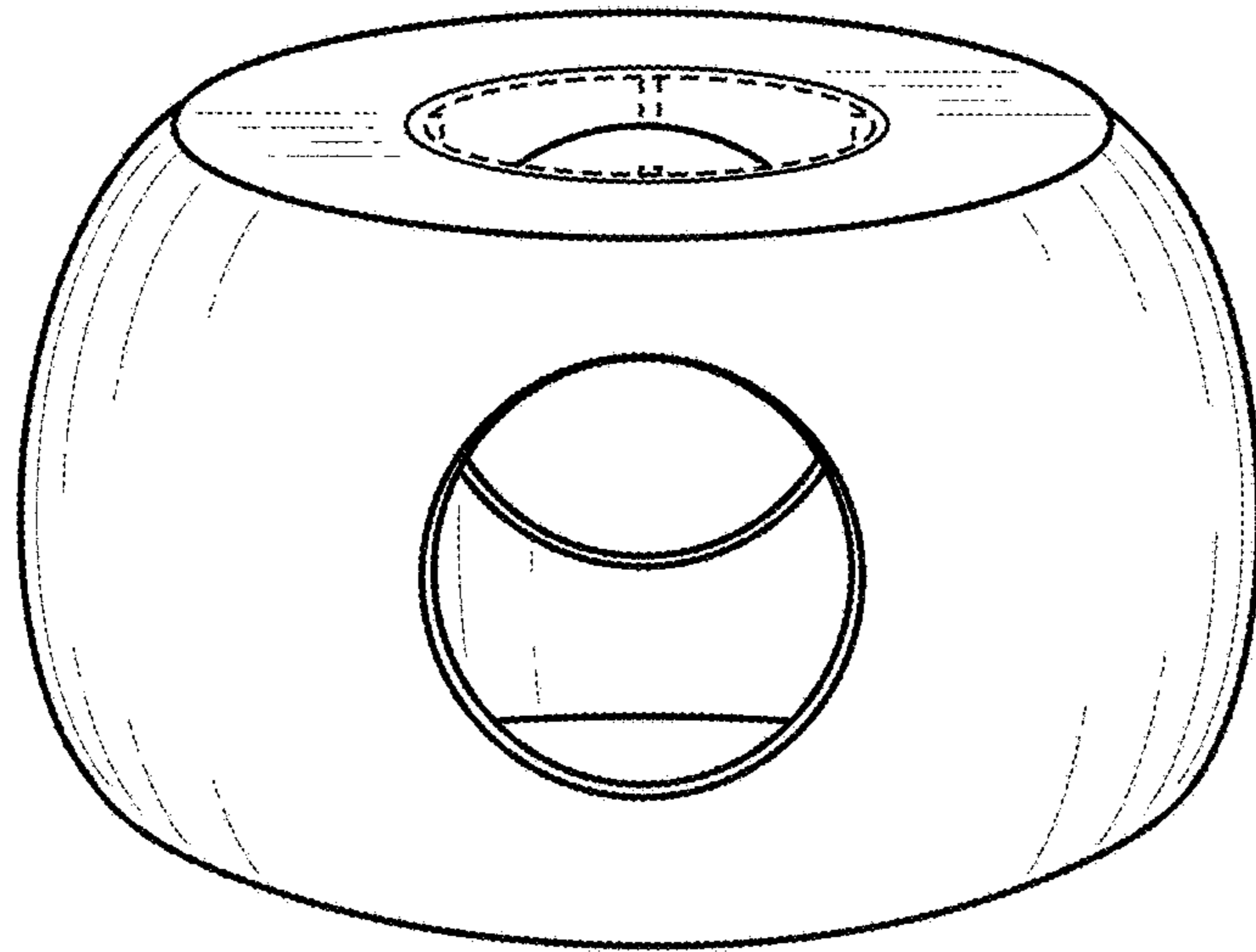


FIG. 2

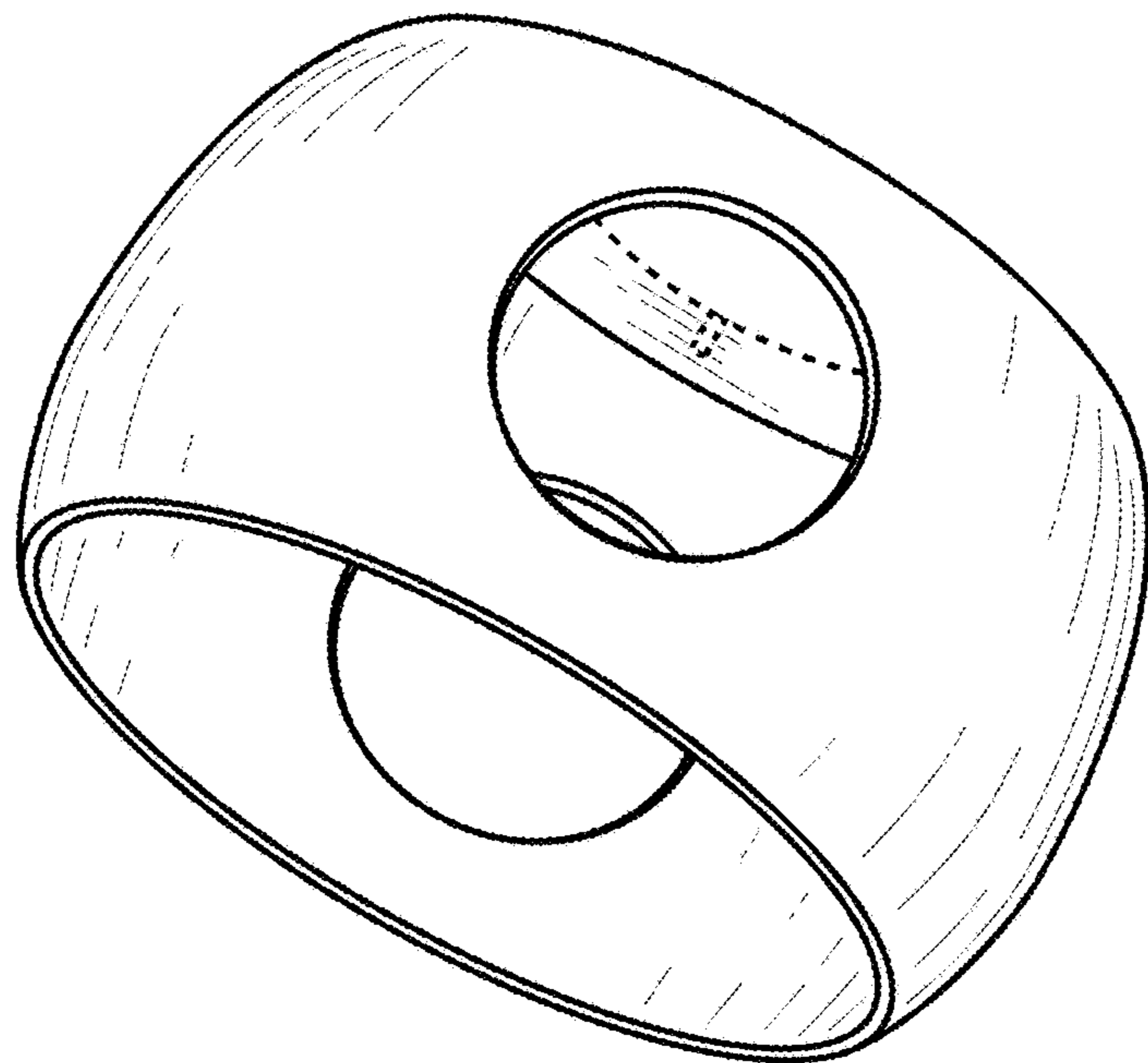


FIG. 3

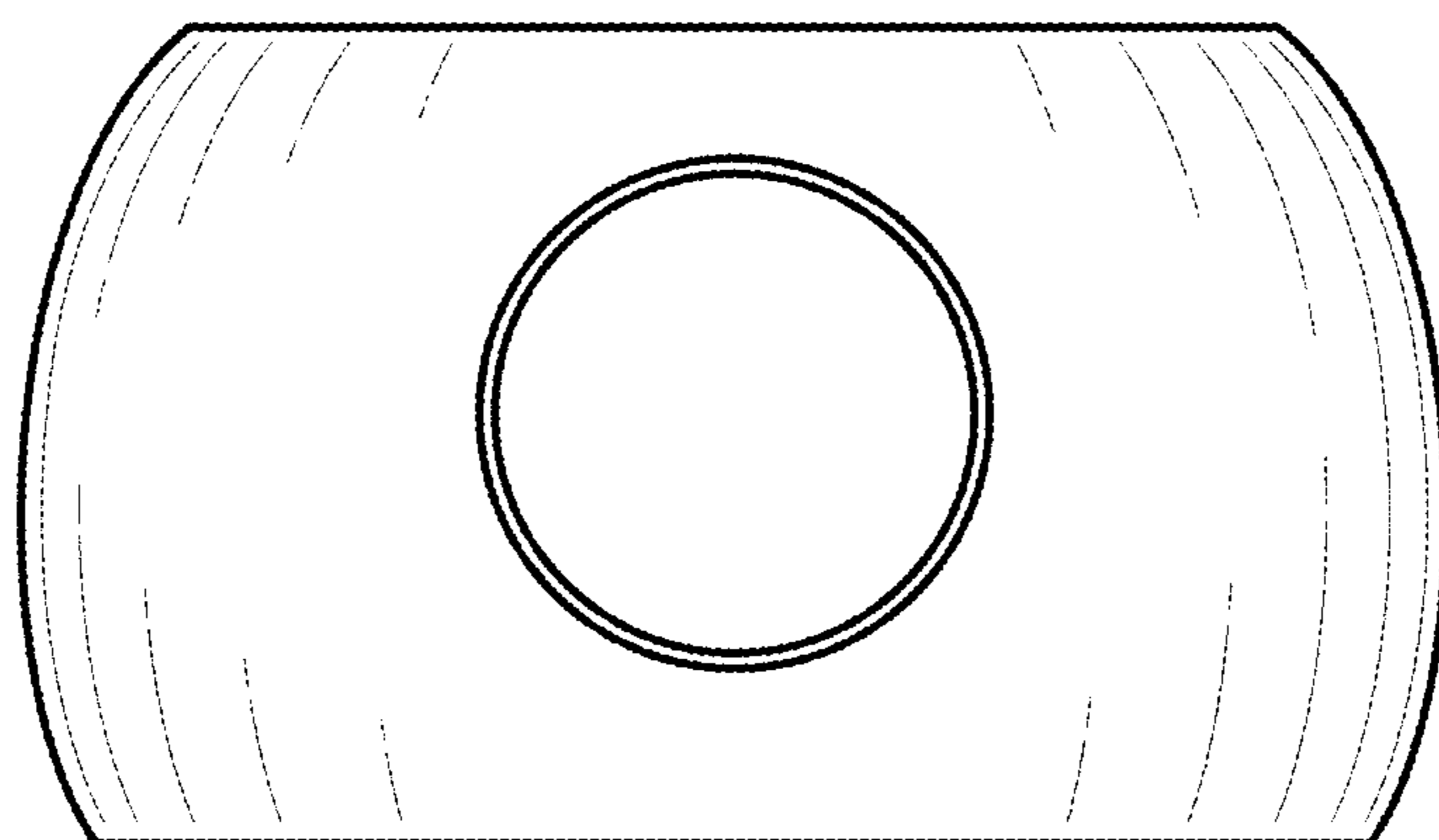


FIG. 4

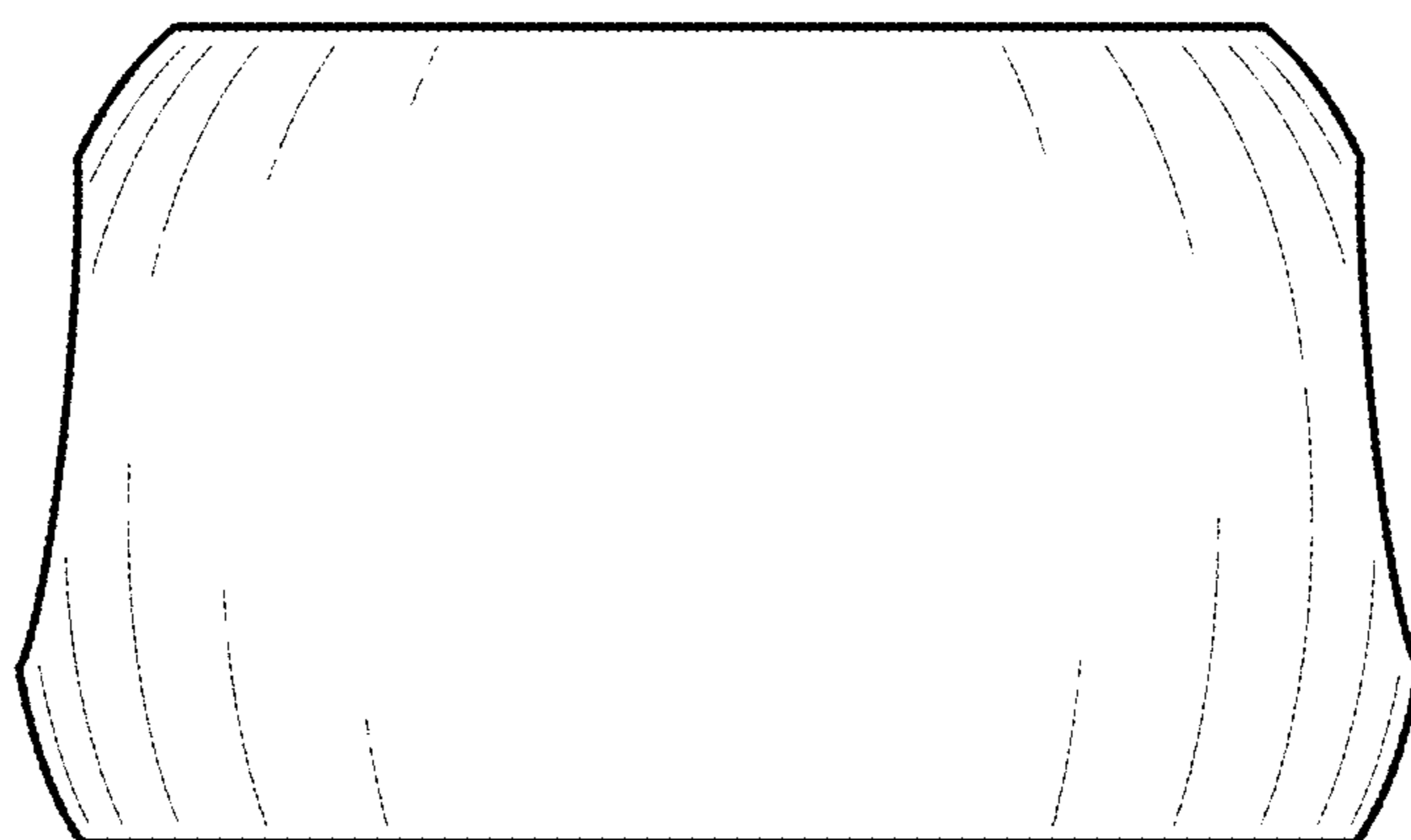


FIG. 5

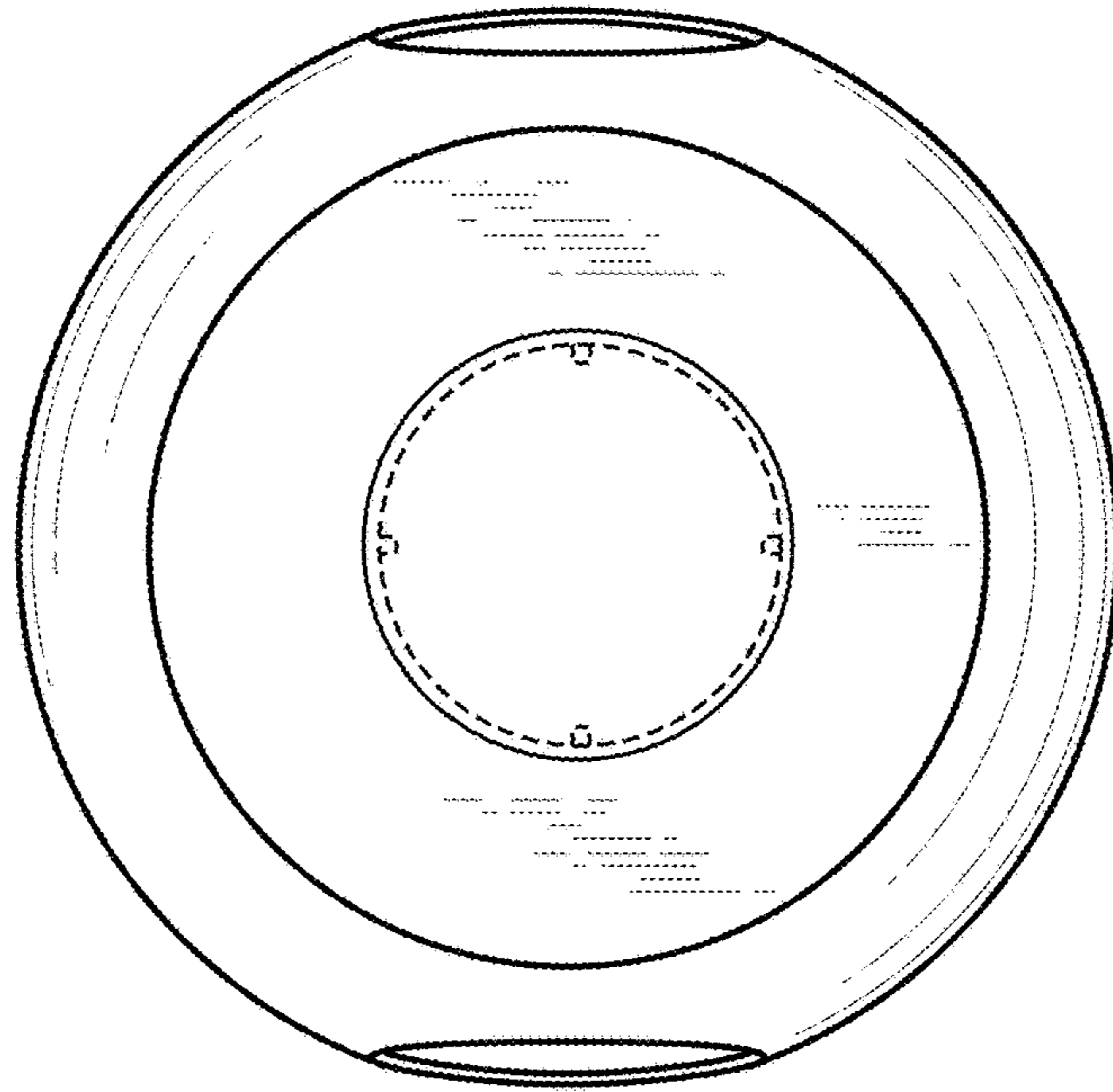


FIG. 6

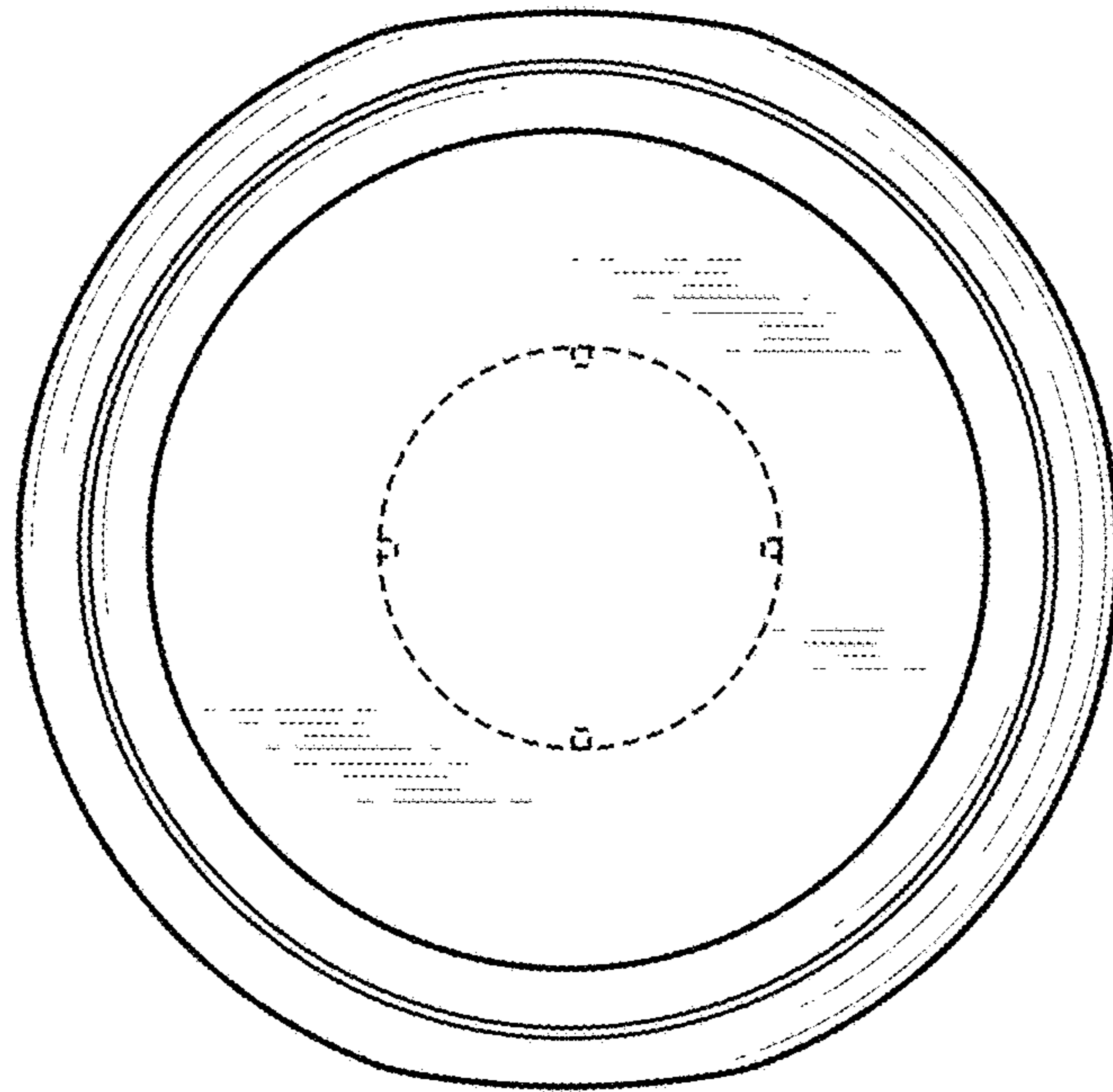


FIG. 7