



US00D865086S

(12) **United States Design Patent**
Poillucci

(10) **Patent No.:** **US D865,086 S**

(45) **Date of Patent:** **** Oct. 29, 2019**

(54) **SLEEVE FOR EXERCISE APPARATUS**

4,949,711 A * 8/1990 Gyovai A61F 5/0118
602/21

(71) Applicant: **Gary Poillucci**, Watertown, MA (US)

5,100,126 A 3/1992 Liou
5,358,471 A 10/1994 Klotz

(72) Inventor: **Gary Poillucci**, Watertown, MA (US)

5,364,323 A 11/1994 Liu
5,380,259 A 1/1995 Robertson et al.

(**) Term: **15 Years**

5,392,649 A 2/1995 Yoo

(21) Appl. No.: **29/657,158**

5,431,611 A 7/1995 Silagy

(22) Filed: **Jul. 19, 2018**

5,445,582 A 8/1995 Brown

(51) **LOC (12) Cl.** **21-02**

5,451,191 A 9/1995 Beenken

(52) **U.S. Cl.**

5,454,769 A 10/1995 Chen

USPC **D21/694**

5,472,407 A 12/1995 Schenck

(58) **Field of Classification Search**

5,487,188 A * 1/1996 Micheloni A41D 19/01588
2/159

USPC 2/158, 159, 160; 482/44, 47, 49, 50;
D2/610, 617, 618, 619, 620, 621, 622,
D2/623; D21/662, 684, 797; 602/21, 64;
D24/190

CPC A63B 21/4017; A63B 23/03508; A63B
23/03533

See application file for complete search history.

(Continued)

FOREIGN PATENT DOCUMENTS

JP 2004008349 1/2004

Primary Examiner — Cynthia Ramirez

Assistant Examiner — Michael A Maharajh

(74) *Attorney, Agent, or Firm* — Thomas P. O'Connell;
O'Connell Law Firm

(56) **References Cited**

(57) **CLAIM**

The new and ornamental design for a sleeve for exercise apparatus, as shown and described.

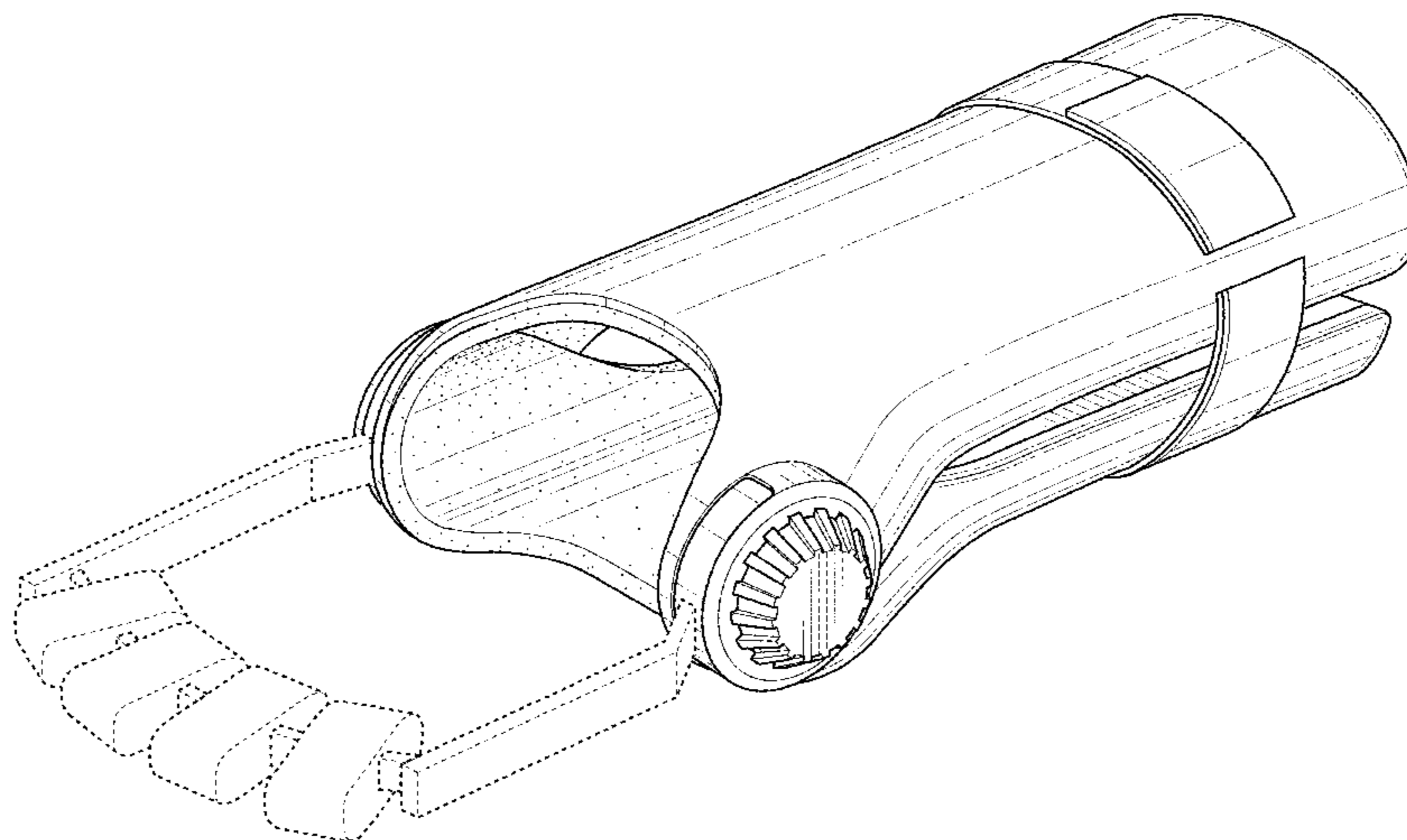
U.S. PATENT DOCUMENTS

DESCRIPTION

- 2,634,976 A 4/1953 Mock
- 2,832,334 A 4/1958 Whitelaw
- 3,782,719 A 1/1974 Kuhlman
- 3,953,026 A 4/1976 Stokely
- 3,982,757 A 9/1976 McDonnell
- 4,039,183 A 8/1977 Sakurada
- 4,310,154 A 1/1982 Kauffman
- 4,343,465 A 8/1982 Allen
- 4,456,002 A 6/1984 Barber et al.
- 4,589,655 A 5/1986 Ammon
- 4,678,181 A 7/1987 Ditsch et al.
- 4,679,548 A 7/1987 Pecheux
- D294,176 S * 2/1988 Tyo D24/190
- 4,724,827 A 2/1988 Schenck
- 4,772,012 A 9/1988 Chesher
- 4,836,531 A 6/1989 Niks
- 4,875,469 A 10/1989 Brook et al.

FIG. 1 is a perspective view of a sleeve for exercise apparatus showing my new design;
FIG. 2 is a front elevation view thereof;
FIG. 3 is a rear elevation view thereof;
FIG. 4 is a right side elevation view thereof;
FIG. 5 is a left side elevation view thereof;
FIG. 6 is a top plan view thereof; and,
FIG. 7 is a bottom plan view thereof.
The broken lines shown in the drawings are for the purpose of illustrating portions of the sleeve for exercise apparatus, which form no part of the claimed design.

1 Claim, 7 Drawing Sheets



(56)

References Cited

U.S. PATENT DOCUMENTS

5,533,949 A	7/1996	Hwang		7,473,234 B1 *	1/2009	Weltner	A61F 5/013
D374,469 S *	10/1996	Barra	D21/684				602/21
5,582,402 A	12/1996	Gilford		7,537,547 B1	5/2009	Hosick et al.	
5,613,927 A	3/1997	Rothacker		7,954,175 B2 *	6/2011	Platt	A41D 13/088
5,683,351 A	11/1997	Kaiser et al.					2/159
5,752,896 A	5/1998	White		8,070,702 B2 *	12/2011	Farrell	A61F 5/05866
6,093,162 A *	7/2000	Fairleigh	A61F 5/013				602/21
			602/22	8,114,040 B2 *	2/2012	Tadman	A61F 5/013
6,112,330 A *	9/2000	Bryan	A41D 19/0031				602/21
			2/160	8,137,296 B2 *	3/2012	Chiang	A61F 5/0118
6,146,341 A	11/2000	Sato et al.					602/21
6,179,749 B1	1/2001	Thorn et al.		D657,879 S *	4/2012	Lee	D24/190
6,196,956 B1	3/2001	Brown		8,216,168 B2 *	7/2012	Farrell	A61F 5/0118
6,213,969 B1 *	4/2001	MacMorran	A61F 13/107				602/21
			602/21	8,337,441 B2 *	12/2012	Colditz	A61F 5/013
6,241,643 B1	6/2001	Loft et al.					602/21
6,443,874 B1	9/2002	Bennett		8,491,447 B1 *	7/2013	Koranic	A63B 21/0421
6,467,737 B1	10/2002	Dorantes					482/44
6,547,193 B2	4/2003	Money et al.		8,603,018 B2 *	12/2013	Anglada	A61F 5/013
6,651,352 B2 *	11/2003	McGorry	A61B 5/1071				602/21
			482/44	8,622,939 B2 *	1/2014	Nguyen	A61H 1/0288
6,740,051 B2	5/2004	Hepburn et al.					482/44
6,827,653 B2 *	12/2004	Be	A63B 71/148	8,678,984 B1 *	3/2014	Poillucci	A61H 1/0285
			602/21				482/47
6,904,915 B2 *	6/2005	Schuman	A61F 5/0118	8,888,724 B2 *	11/2014	Armstrong	A61H 1/0288
			602/21				602/22
6,921,352 B1	7/2005	Stearns		8,951,303 B2 *	2/2015	Dehoff	A61F 2/583
7,112,179 B2 *	9/2006	Bonutti	A61F 5/013				602/21
			602/21	8,998,833 B1 *	4/2015	AlSaffar	A61F 5/013
7,156,819 B2 *	1/2007	Sieller	A61F 5/013				602/21
			602/21	9,072,939 B2 *	7/2015	Silagy	A63B 23/16
7,416,520 B1	8/2008	Danowski		D824,527 S *	7/2018	Fried	D24/190
7,452,342 B2 *	11/2008	Bonutti	A61F 5/0102	2005/0037897 A1	2/2005	Chen	
			602/21	2006/0178247 A1	8/2006	Liu	
				2007/0072739 A1	3/2007	Kaufman	
				2009/0197741 A1	8/2009	Poillucci et al.	
				2009/0318269 A1	12/2009	D'Addario et al.	

* cited by examiner

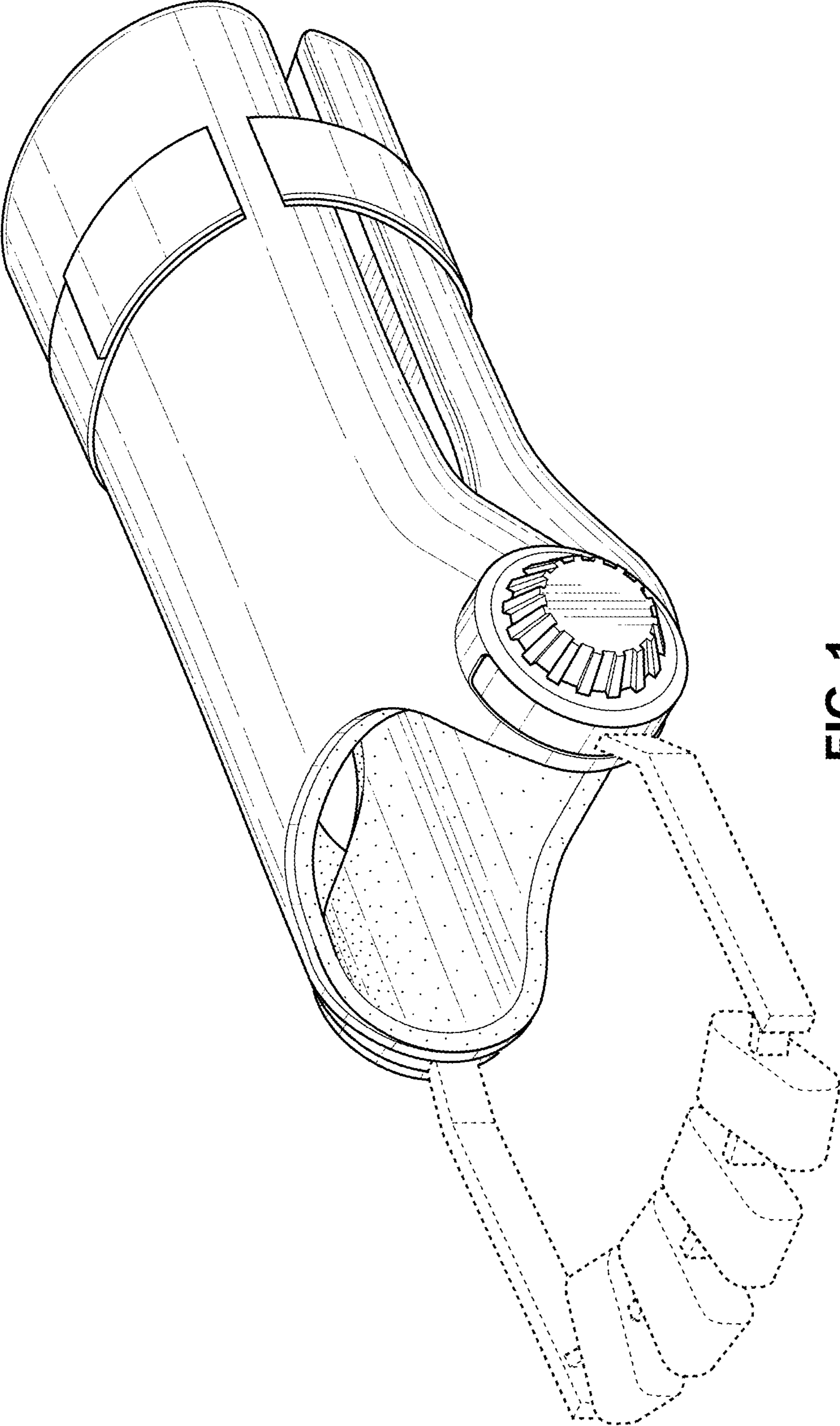


FIG. 1

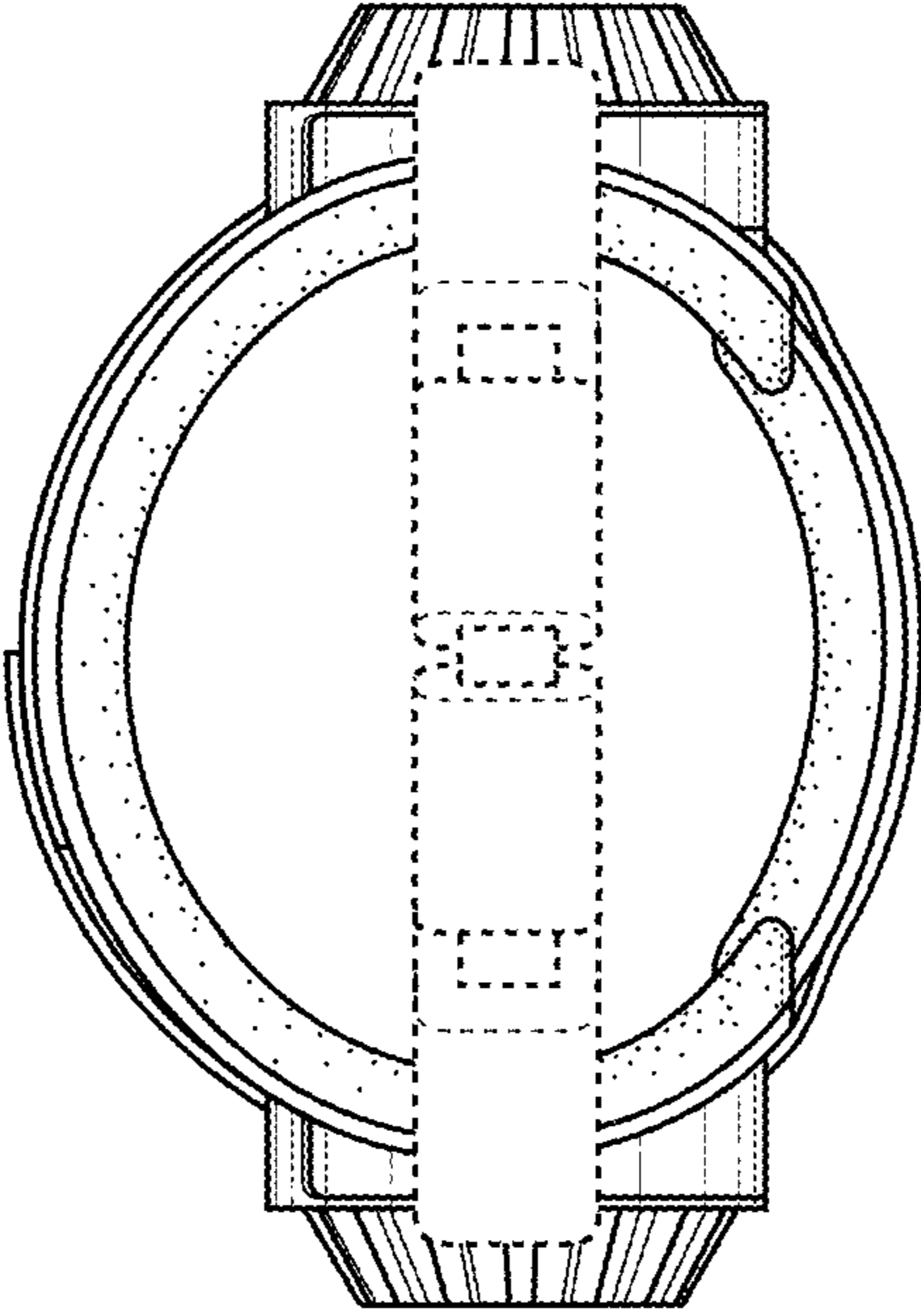


FIG. 2

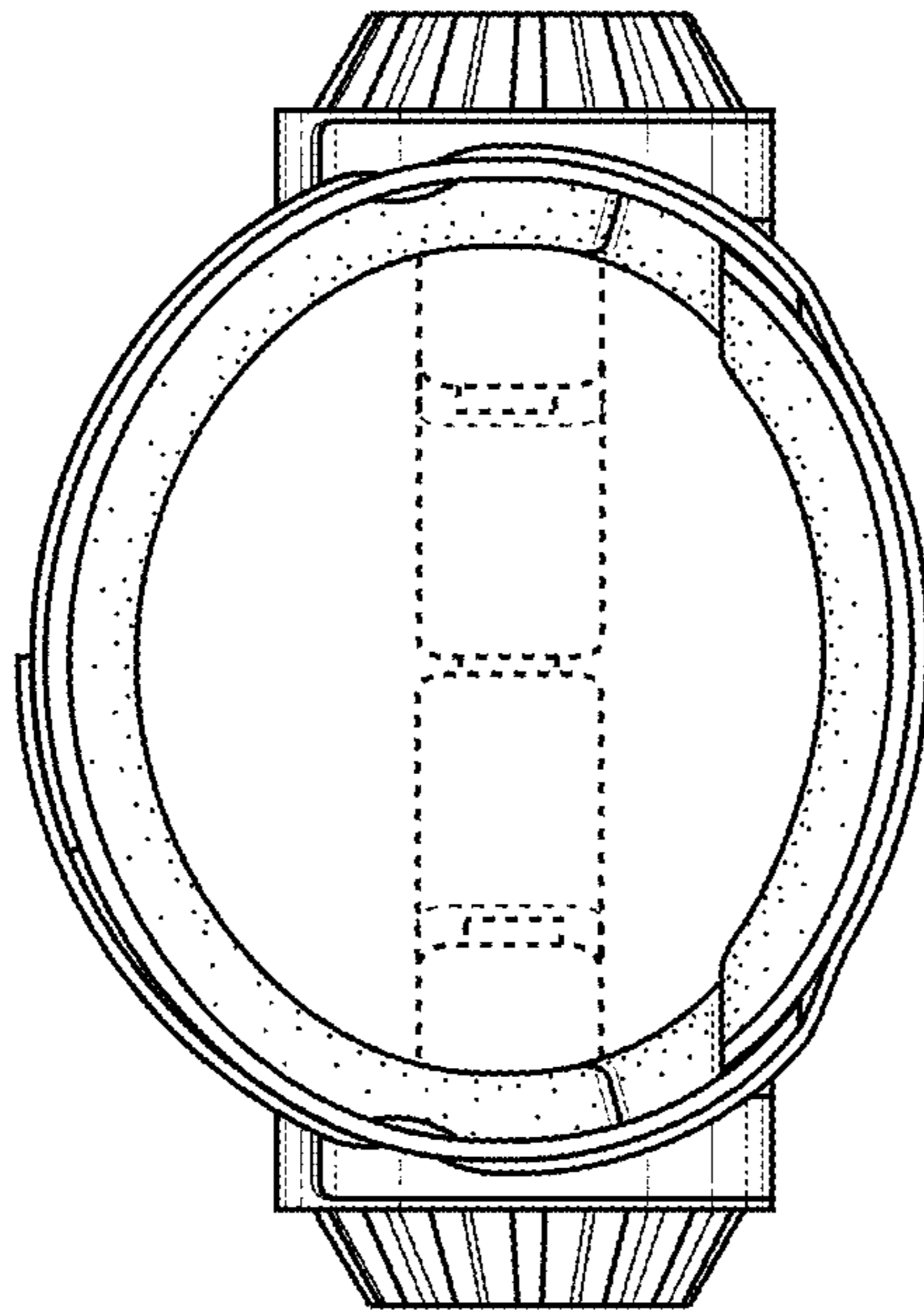


FIG. 3

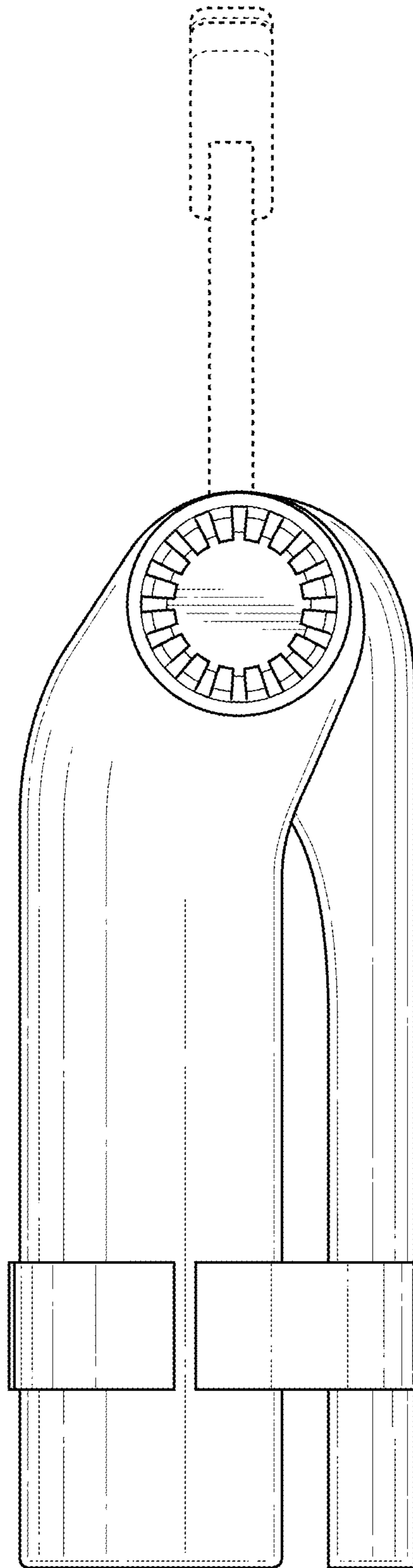


FIG. 4

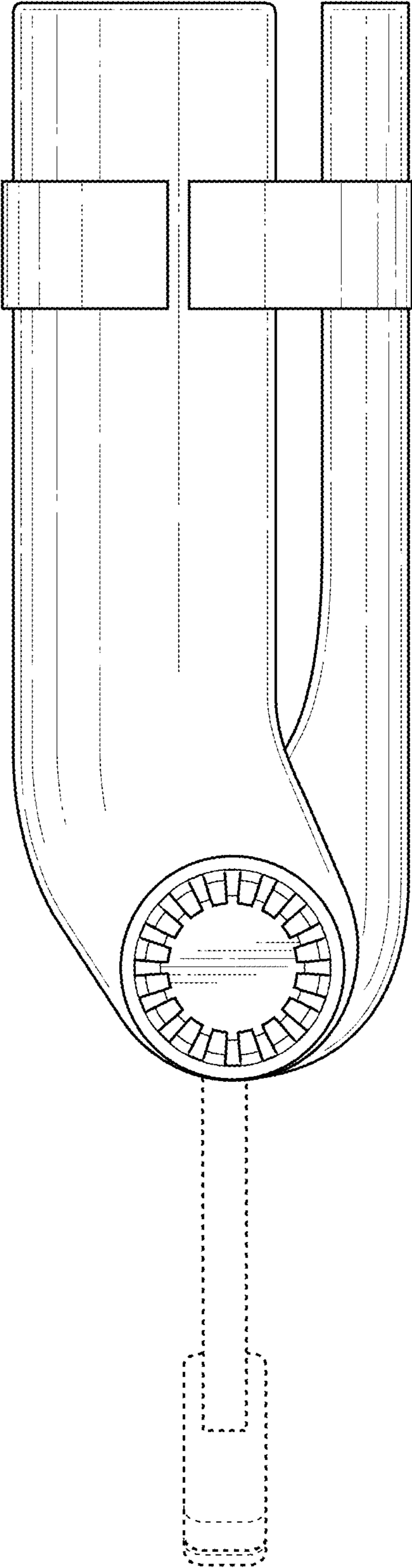


FIG. 5

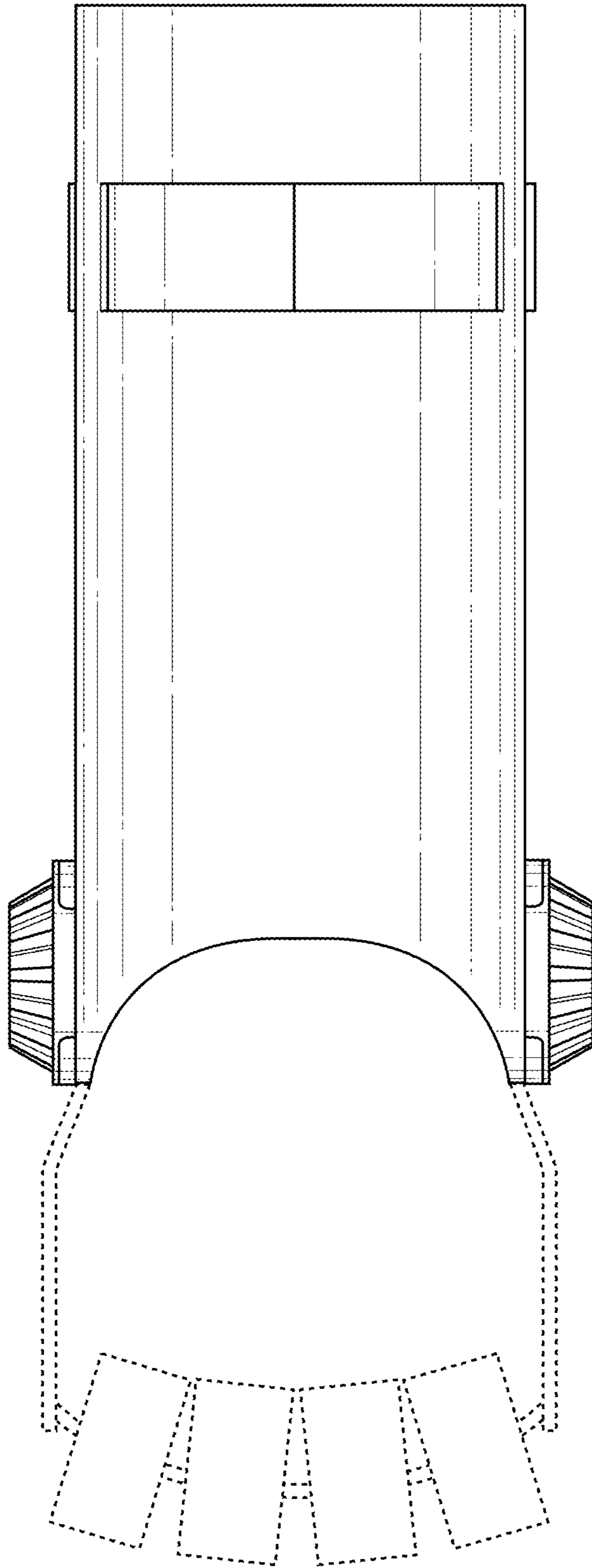


FIG. 6

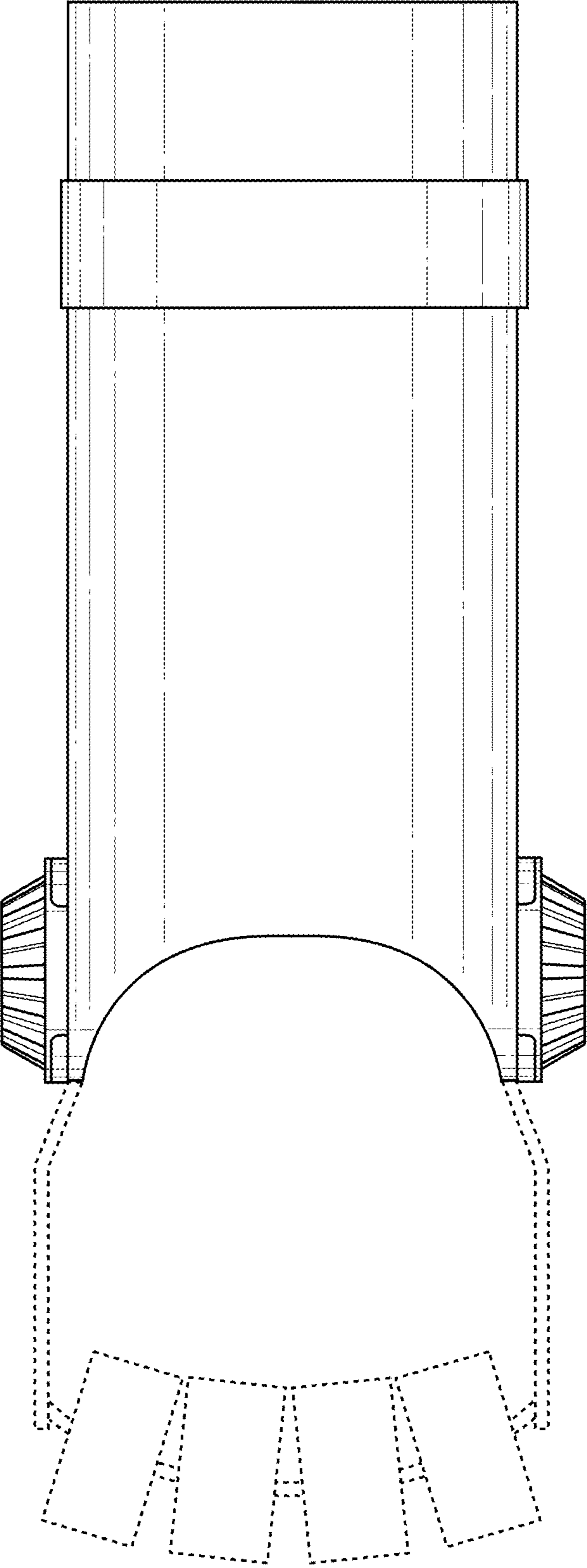


FIG. 7