

US00D865084S

(12) **United States Design Patent** (10) **Patent No.:** **US D865,084 S**
Croxton (45) **Date of Patent:** **** Oct. 29, 2019**

- (54) **EXERCISE DEVICE**
- (71) Applicant: **Stephen N. Croxton**, Au Sable Forks, NY (US)
- (72) Inventor: **Stephen N. Croxton**, Au Sable Forks, NY (US)
- (**) Term: **15 Years**
- (21) Appl. No.: **29/685,388**
- (22) Filed: **Mar. 28, 2019**
- (51) **LOC (12) Cl.** **21-02**
- (52) **U.S. Cl.**
USPC **D21/679**
- (58) **Field of Classification Search**
USPC D21/680, 682, 681, 678, 662, 679, 684, D21/686, 801, 694, 683; 173/102, 103, 173/118, 126, 133; 482/108, 93, 110, 482/111, 105, 8, 107, 106, 139, 94, 104, 482/140, 109, 51, 70, 74, 98, 1, 121, 55; D9/680, 629, 456; D8/85, 45, 107, 90, D8/317, 387, 397, 343, 31, 75, 14; D11/81, 91, 56, 80, 7, 52, 14, 201; D12/215
CPC A63B 21/4035; A63B 21/0552; A63B 23/0211; A63B 21/0728; A63B 21/075; A63B 21/072
See application file for complete search history.

- 3,462,142 A * 8/1969 Sterndale A63B 21/018 24/135 R
 - 3,785,644 A * 1/1974 Bradley A63B 21/015 482/116
 - 3,910,573 A * 10/1975 Jamba A63B 21/0023 482/91
 - 4,257,592 A * 3/1981 Jones A63B 21/154 24/115 K
 - 4,284,274 A * 8/1981 Boothe A63B 21/28 482/92
 - 4,315,623 A * 2/1982 Granderson A63B 5/20 482/81
 - D263,613 S * 3/1982 Henry D21/692
- (Continued)

OTHER PUBLICATIONS

8 ft by Home depot dated Jul. 12, 2017. Found online [Apr. 22, 2019] <https://www.homedepot.com/p/8-ft-Landscape-Timber-288731/301802514>.*

Primary Examiner — Ryan Harvey
(74) *Attorney, Agent, or Firm* — Workman Nydegger

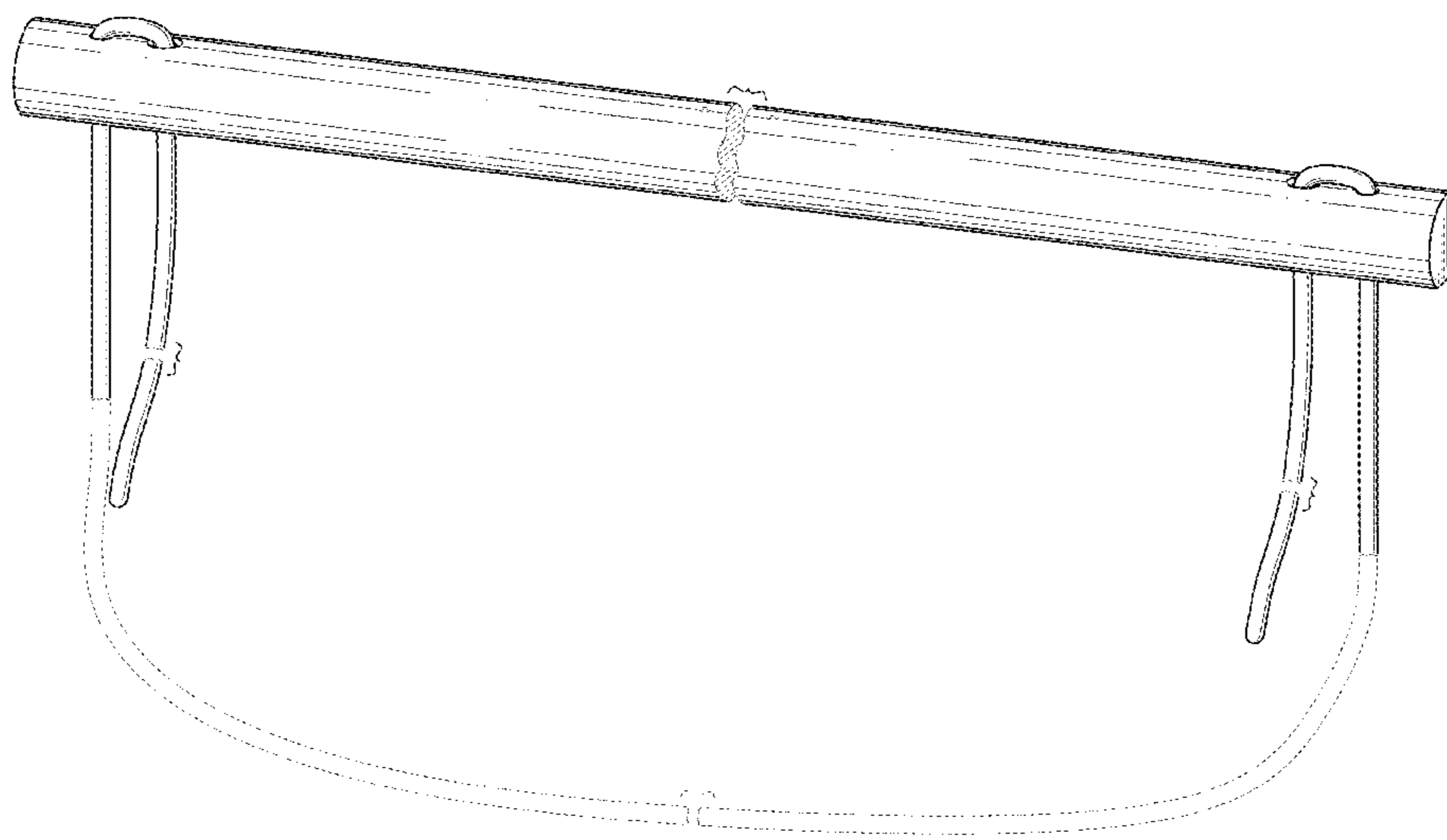
(57) **CLAIM**

The ornamental design for an exercise device, as shown and described.

DESCRIPTION

FIG. 1 is a top perspective view of an exercise device according to the present invention.
FIG. 2 is a top view of the exercise device of FIG. 1.
FIG. 3 is a side elevation view of the exercise device of FIG. 1, the opposite side view being identical.
FIG. 4 is a bottom view of the exercise device of FIG. 1; and, FIG. 5 is a first end view of the exercise device of FIG. 1, the opposite end view being identical.
The area between the symbolic break lines forms no part of the claimed design.
The broken lines showing of portions of the exercise device forms no part of the claimed design.

1 Claim, 2 Drawing Sheets



(56)

References Cited

U.S. PATENT DOCUMENTS

4,328,964 A * 5/1982 Walls A63B 21/4035
473/229
D274,539 S * 7/1984 Bankier D21/679
D274,829 S * 7/1984 Bankier D21/679
D305,446 S * 1/1990 Valentine D21/672
D305,447 S * 1/1990 Valentine D21/672
5,112,287 A * 5/1992 Brewer A63B 21/04
482/123
5,125,649 A * 6/1992 Fuller A63B 21/0004
482/106
5,653,665 A * 8/1997 Neeley A63B 21/0552
482/106
5,746,687 A * 5/1998 Vial A63B 21/0552
482/125
5,776,041 A * 7/1998 Fisher A63B 21/0056
482/122
5,885,196 A * 3/1999 Gvoich A63B 21/0004
482/122
6,120,424 A * 9/2000 Arline A63B 21/0004
482/121
6,204,584 B1 * 3/2001 Muszynski H02K 1/2733
310/156.08
6,402,668 B1 * 6/2002 Harker A63B 21/0004
482/121
D501,899 S * 2/2005 Shute, Jr. D21/662
7,090,627 B1 * 8/2006 Walker A63B 21/055
482/121
7,118,149 B1 * 10/2006 Mertz, Jr. B65G 7/12
294/152
7,326,157 B2 * 2/2008 Wu A63B 21/0004
482/121
7,387,599 B1 * 6/2008 Hsu A61H 15/0092
482/122
D610,849 S * 3/2010 Klein D6/513
7,846,079 B1 * 12/2010 Eaglin A63B 21/1645
482/121

D634,185 S * 3/2011 Klein D8/376
7,922,634 B1 * 4/2011 Wu A63B 21/0004
482/121
8,079,942 B2 * 12/2011 Anderson A63B 21/0004
482/121
8,348,814 B1 * 1/2013 Hinds A63B 7/02
482/82
8,366,164 B2 * 2/2013 Lee A01M 31/00
294/150
D688,337 S * 8/2013 Huang D21/662
8,506,460 B2 * 8/2013 Seitzer A63B 21/4015
482/106
D716,630 S * 11/2014 Lin D8/86
D724,163 S * 3/2015 Kelley D21/694
9,254,405 B1 * 2/2016 Marji A63B 21/02
D756,468 S * 5/2016 Chang D21/662
D778,374 S * 2/2017 Jaquish D21/686
D791,720 S * 7/2017 Barna D13/168
9,713,734 B1 * 7/2017 Hurlbut A63B 21/4035
9,775,764 B1 * 10/2017 Rill A61H 1/0266
D807,972 S * 1/2018 Hao D21/679
D819,158 S * 5/2018 Pell D22/107
10,022,578 B2 * 7/2018 Kelly A61H 7/001
10,065,063 B1 * 9/2018 Hurlbut A63B 21/0414
2002/0137609 A1 * 9/2002 Rosati A63B 21/055
482/126
2007/0207905 A1 * 9/2007 Winston A63B 5/20
482/126
2007/0254786 A1 * 11/2007 Owen A63B 21/0552
482/121
2009/0176635 A1 * 7/2009 Brinson A61H 7/001
482/141
2010/0152002 A1 * 6/2010 Knight A63B 21/0552
482/93
2010/0173760 A1 * 7/2010 Hall A63B 21/0552
482/129
2014/0038793 A1 * 2/2014 Hetzel A63B 21/045
482/122

* cited by examiner

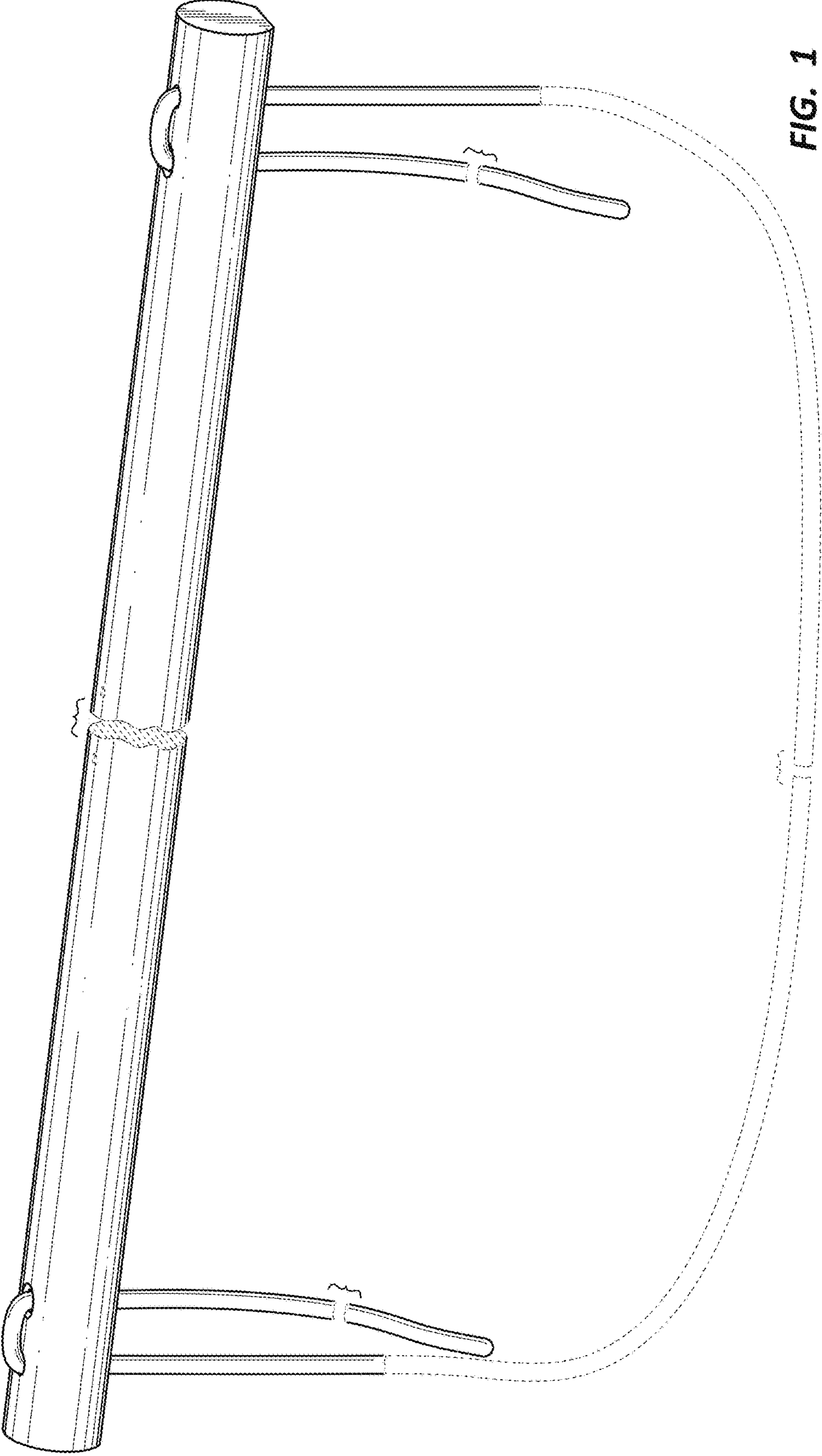


FIG. 1

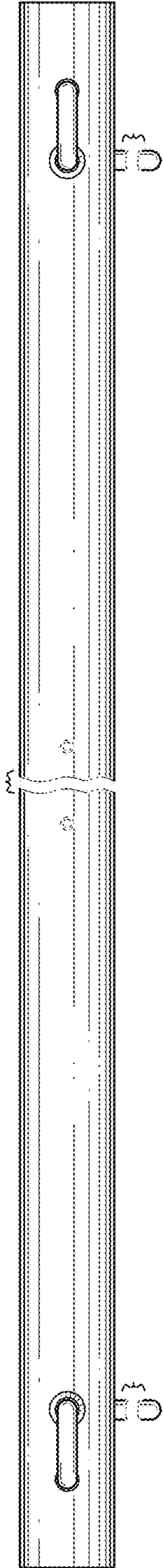


FIG. 2

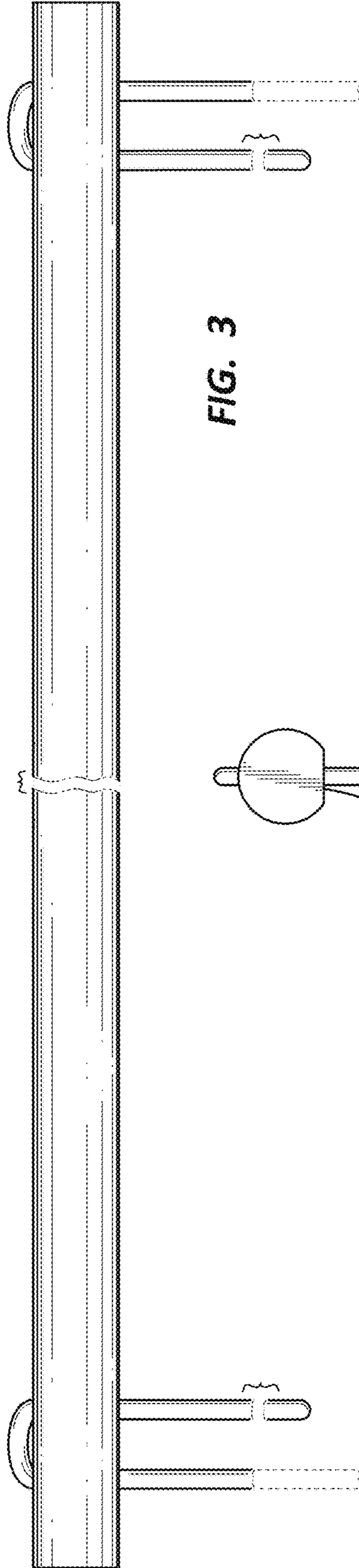


FIG. 3

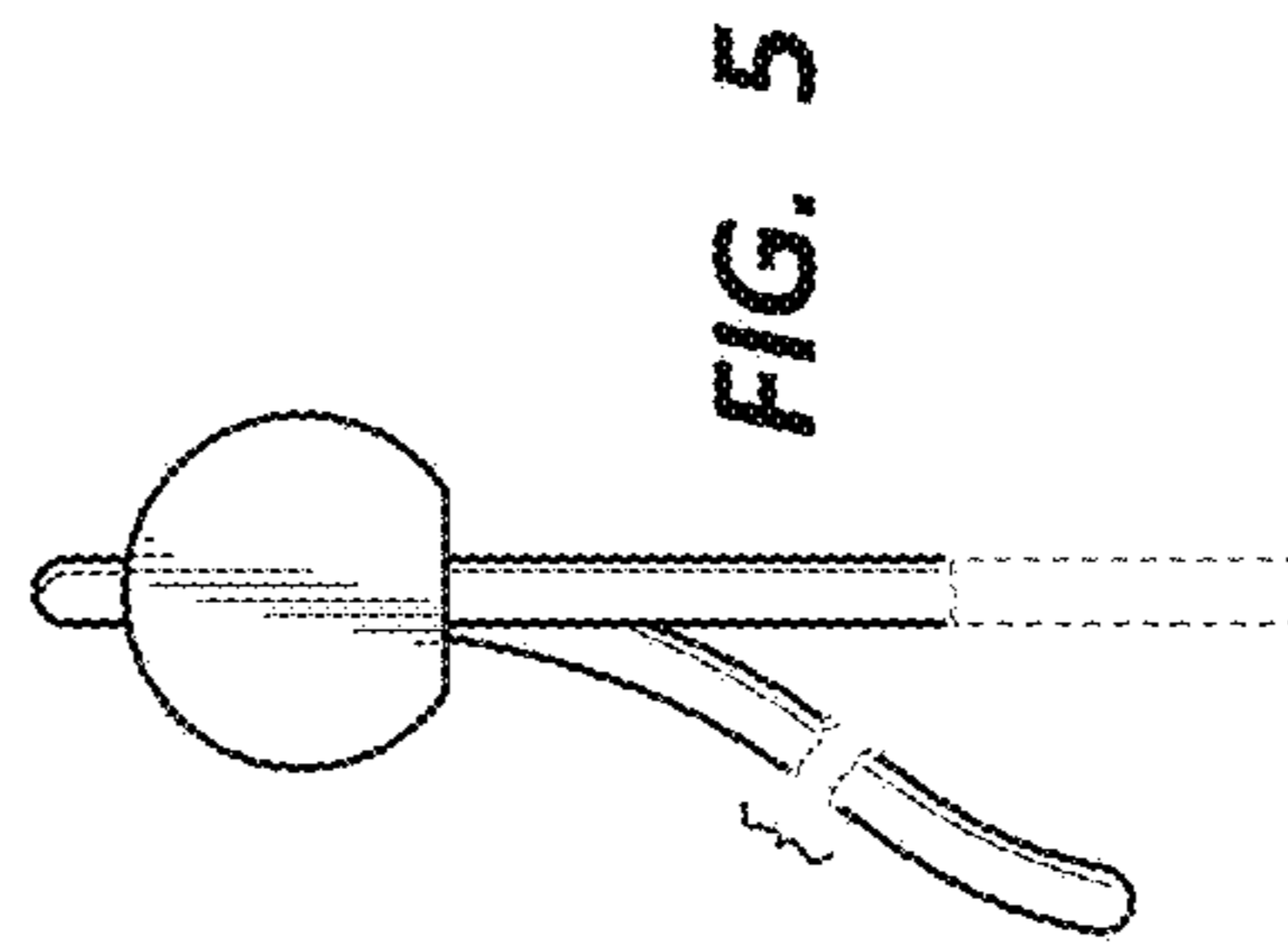


FIG. 5

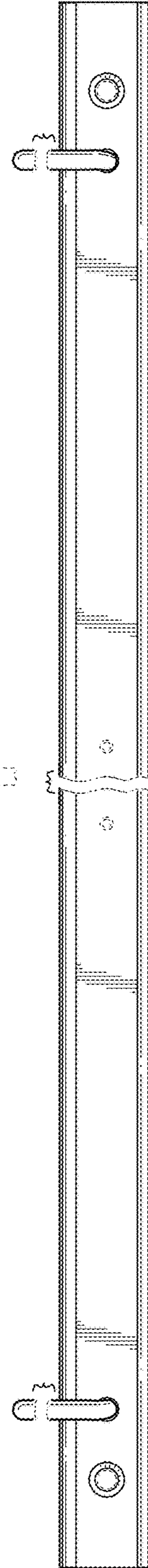


FIG. 4