



US00D865081S

(12) **United States Design Patent**
Weeks

(10) **Patent No.:** **US D865,081 S**

(45) **Date of Patent:** **** Oct. 29, 2019**

- (54) **FOLDABLE TOY APE**
- (71) Applicant: **David Weeks Studio, LLC**, New York, NY (US)
- (72) Inventor: **David Weeks**, New York, NY (US)
- (73) Assignee: **David Weeks Studio, LLC**, New York, NY (US)

(**) Term: **15 Years**

(21) Appl. No.: **29/647,633**

(22) Filed: **May 15, 2018**

(51) **LOC (12) Cl.** **21-01**

(52) **U.S. Cl.**
USPC **D21/596**; D21/584

(58) **Field of Classification Search**
 USPC D6/598; D11/158, 162; D21/576–596,
 D21/604–605, 621; 446/368–369, 376,
 446/428, 487; 180/8.6; D30/160
 CPC ... A63H 3/00; A63H 3/02; A63H 3/04; A63H
 3/16; A63H 3/28; A63H 7/06; A63H
 11/00; A63H 11/10; A63H 11/20; A63H
 13/00; A63H 33/04; A63H 33/08; A63H
 33/042; A63H 23/10

See application file for complete search history.

(56) **References Cited**

U.S. PATENT DOCUMENTS

- D272,933 S * 3/1984 Murakami D21/578
- D305,051 S * 12/1989 Ohno D21/582
- D306,621 S * 3/1990 Doi D21/579
- D315,000 S * 2/1991 Stephensen D21/596

- D317,797 S * 6/1991 Pedersen D21/596
- D439,936 S * 4/2001 Stenbryggen A63H 11/00
D21/596
- 6,257,950 B1 * 7/2001 Saleh A63H 11/00
446/352
- D593,164 S * 5/2009 Sonoda D21/578
- D639,354 S 6/2011 Weeks
- D656,564 S * 3/2012 Kratz D21/596
- D832,373 S * 10/2018 Cummings D21/596

* cited by examiner

Primary Examiner — Sandra L Morris

(74) *Attorney, Agent, or Firm* — Charles H Jew

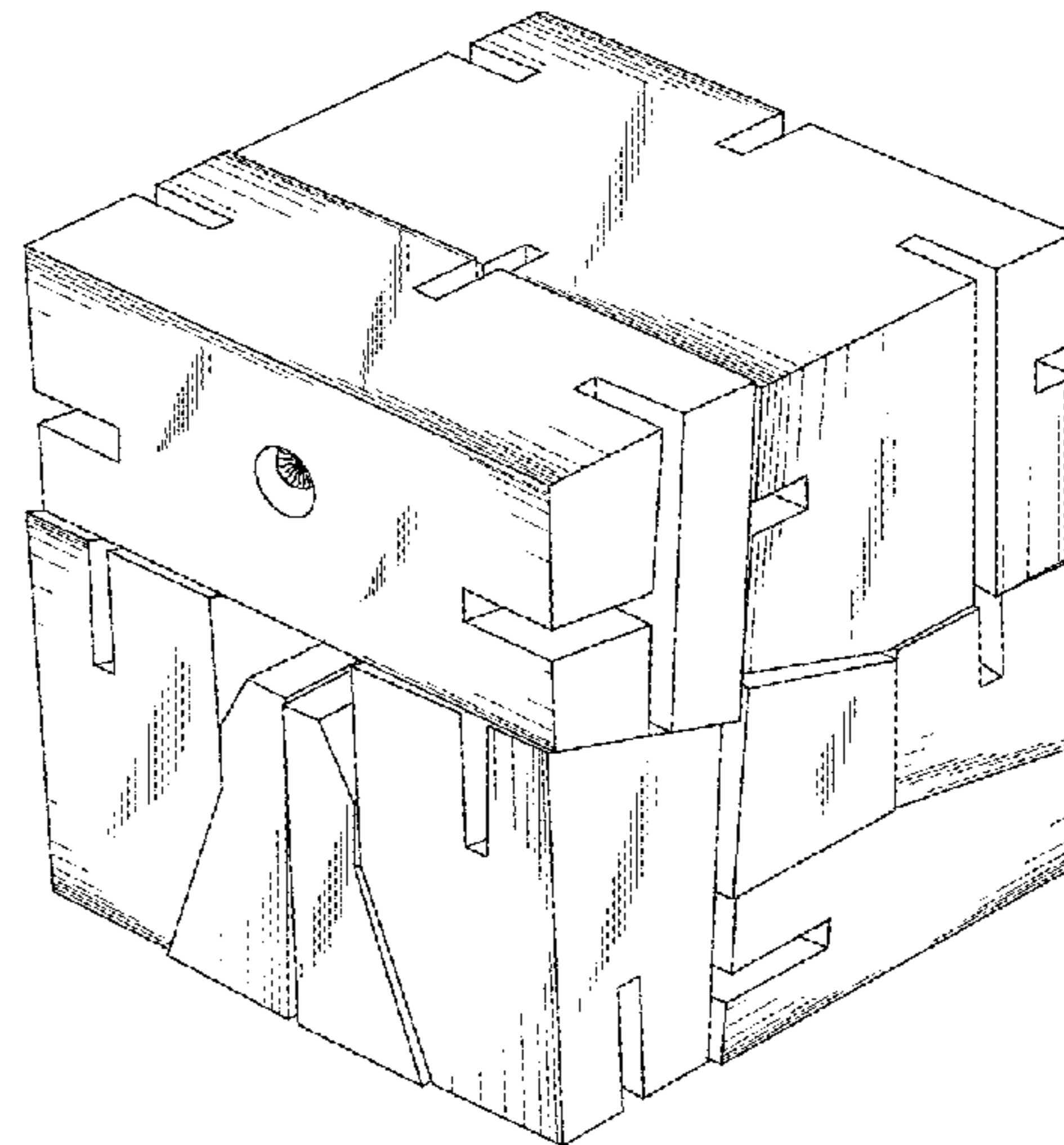
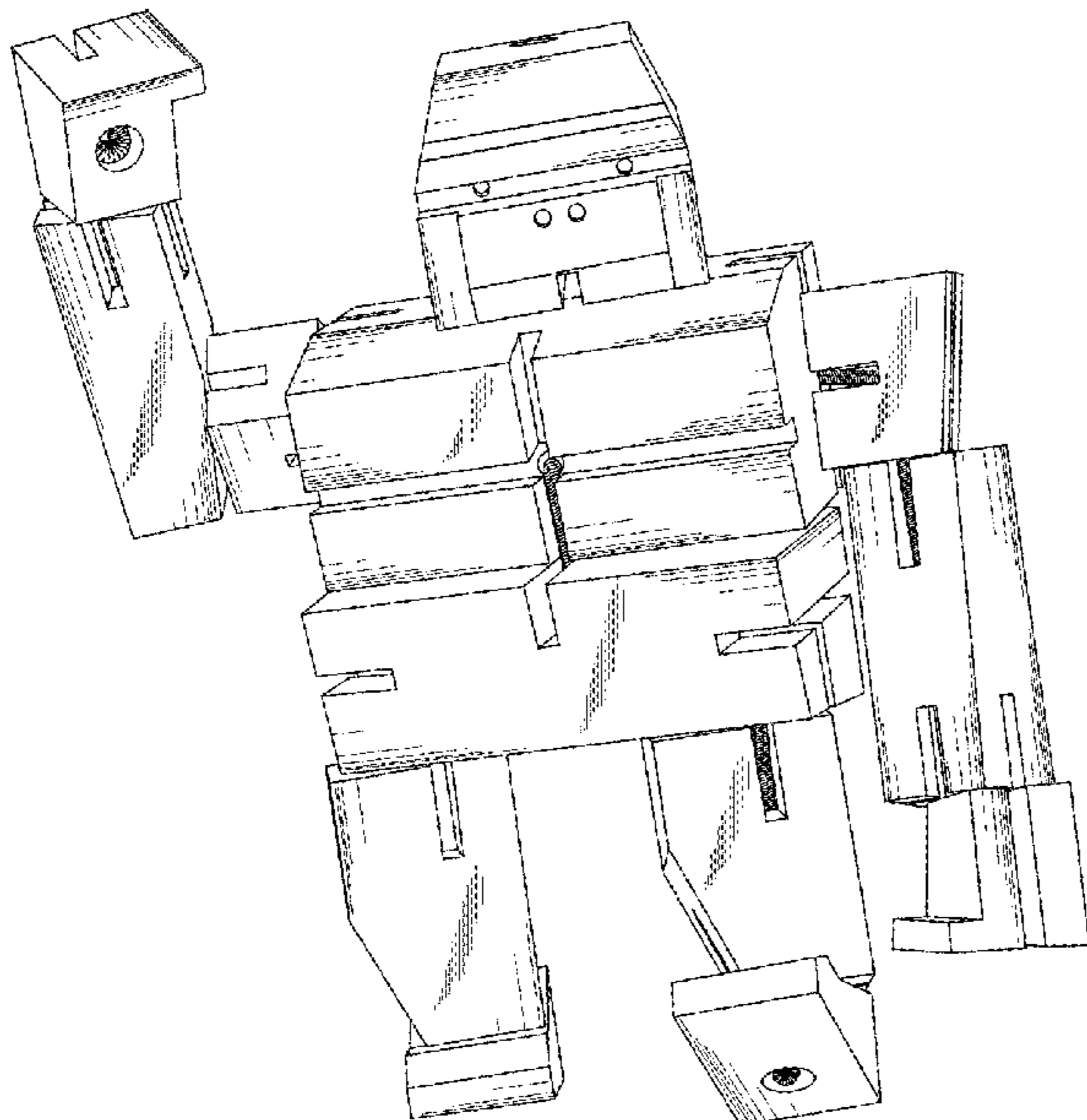
(57) **CLAIM**

The ornamental design for a foldable toy ape, as shown and described.

DESCRIPTION

FIG. 1 is a front side elevational view of the foldable toy ape showing my novel design in an unfolded configuration; FIG. 2 is a rear side elevational view thereof; FIG. 3 is a left elevational view thereof; FIG. 4 is a right elevational view thereof; FIG. 5 is a top plan view thereof; FIG. 6 is a bottom plan view thereof; FIG. 7 is a front perspective view thereof; FIG. 8 is a front side elevational view of the foldable toy ape on an enlarged scale shown in a folded configuration; FIG. 9 is a rear side elevational view thereof; FIG. 10 is a right elevational view thereof; FIG. 11 is a left elevational view thereof; FIG. 12 is a top plan view thereof; FIG. 13 is a bottom plan view thereof; and, FIG. 14 is a front perspective view thereof.

1 Claim, 5 Drawing Sheets



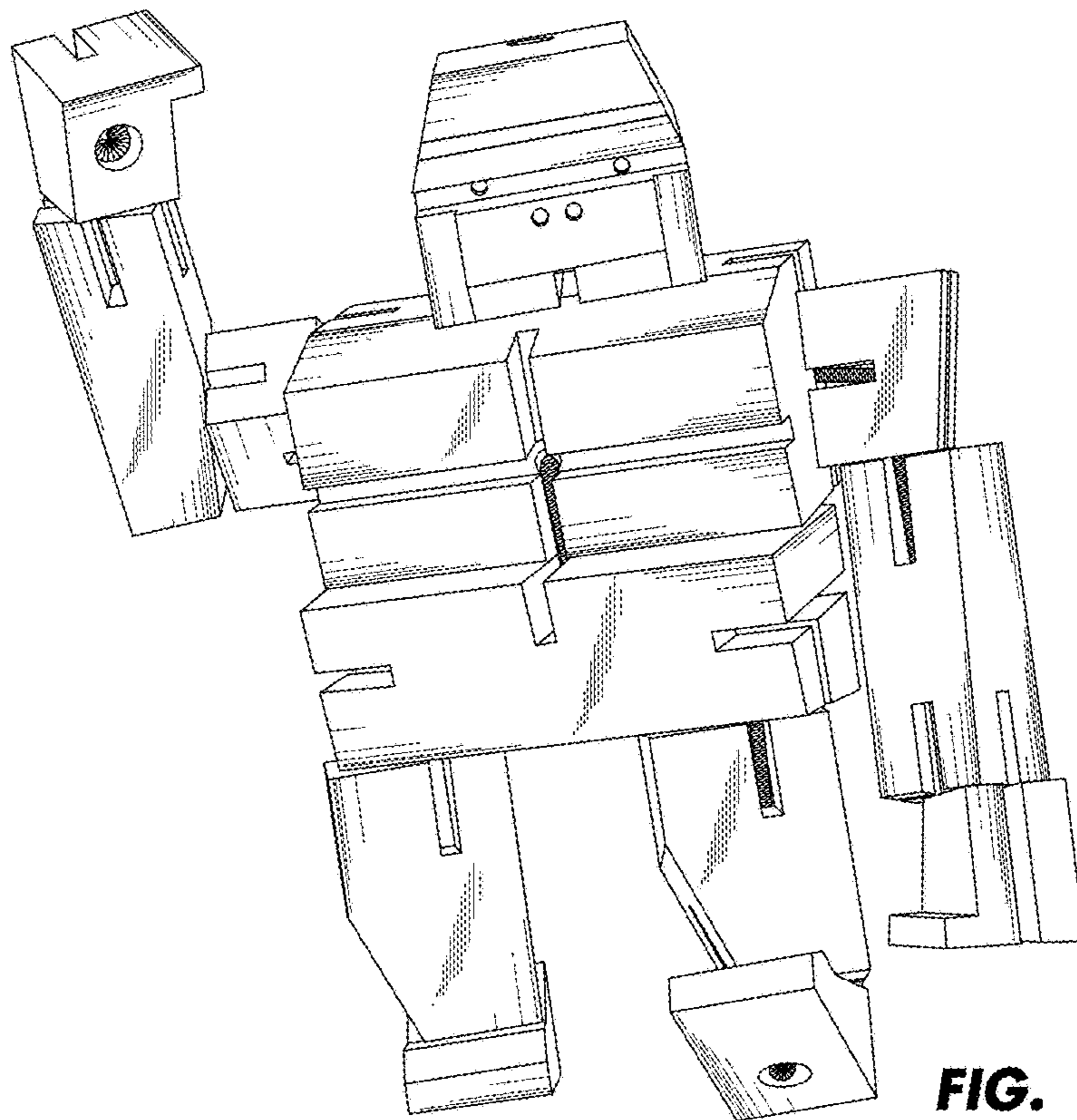


FIG. 1

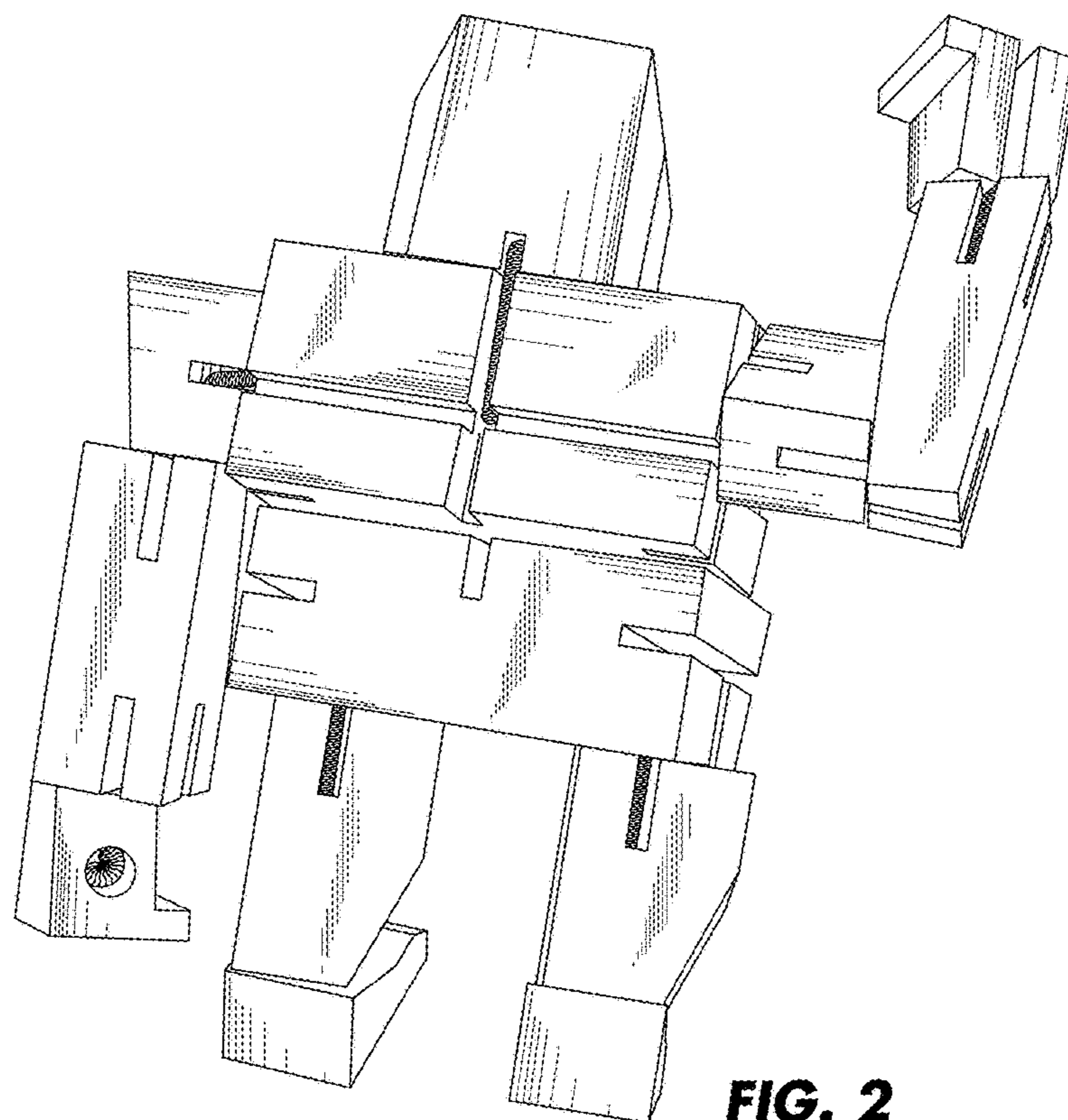


FIG. 2

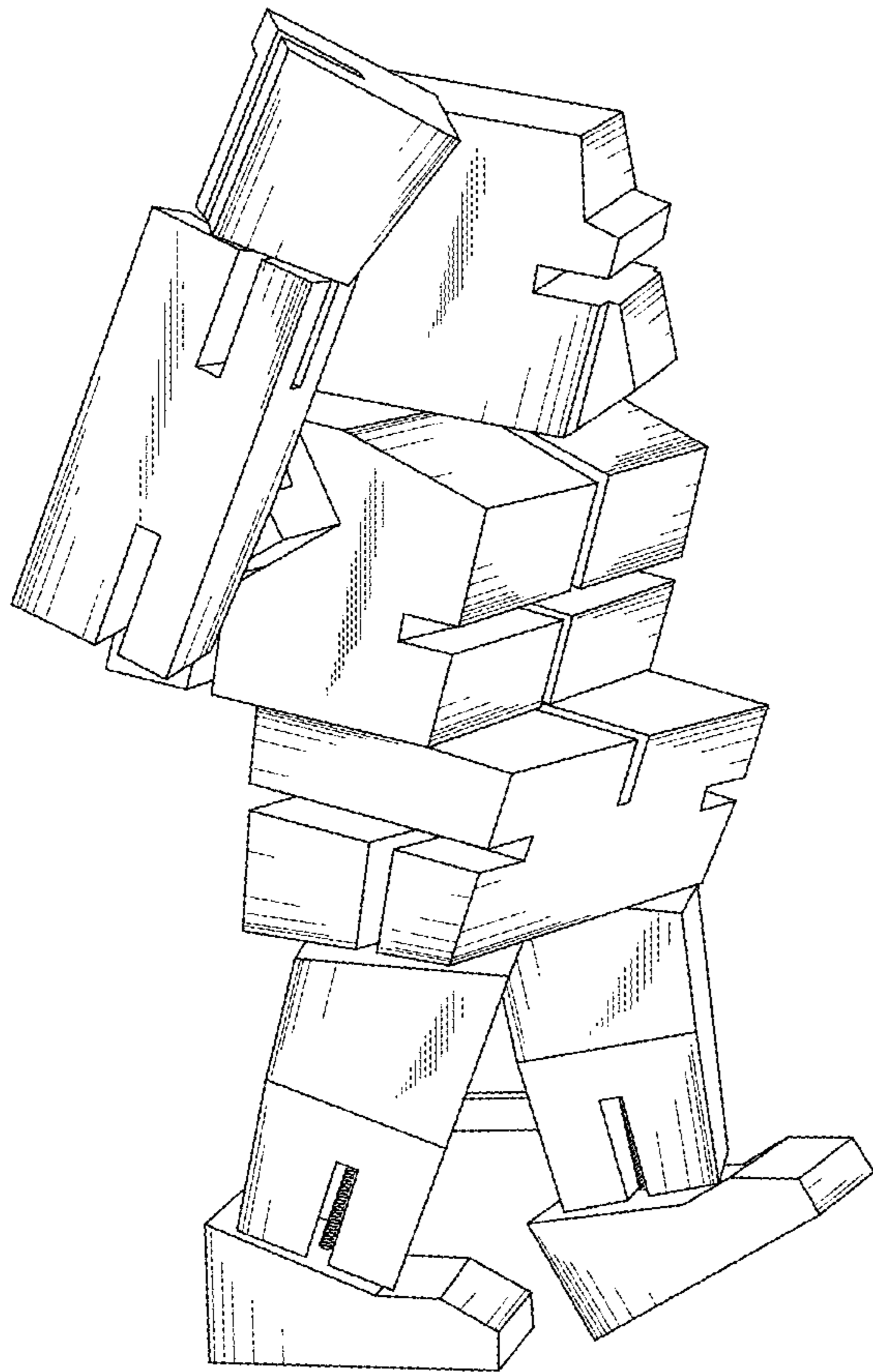


FIG. 3

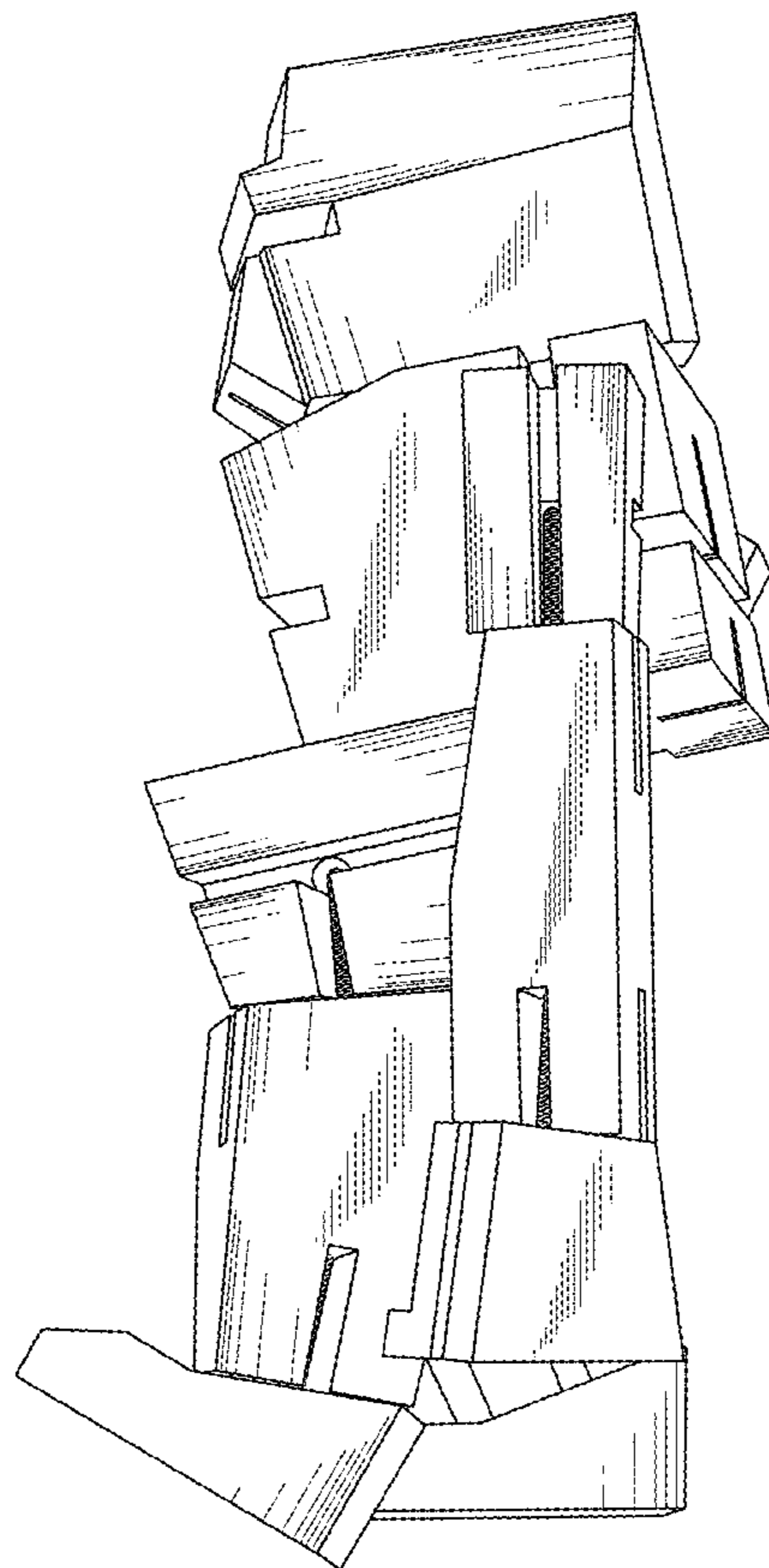


FIG. 4

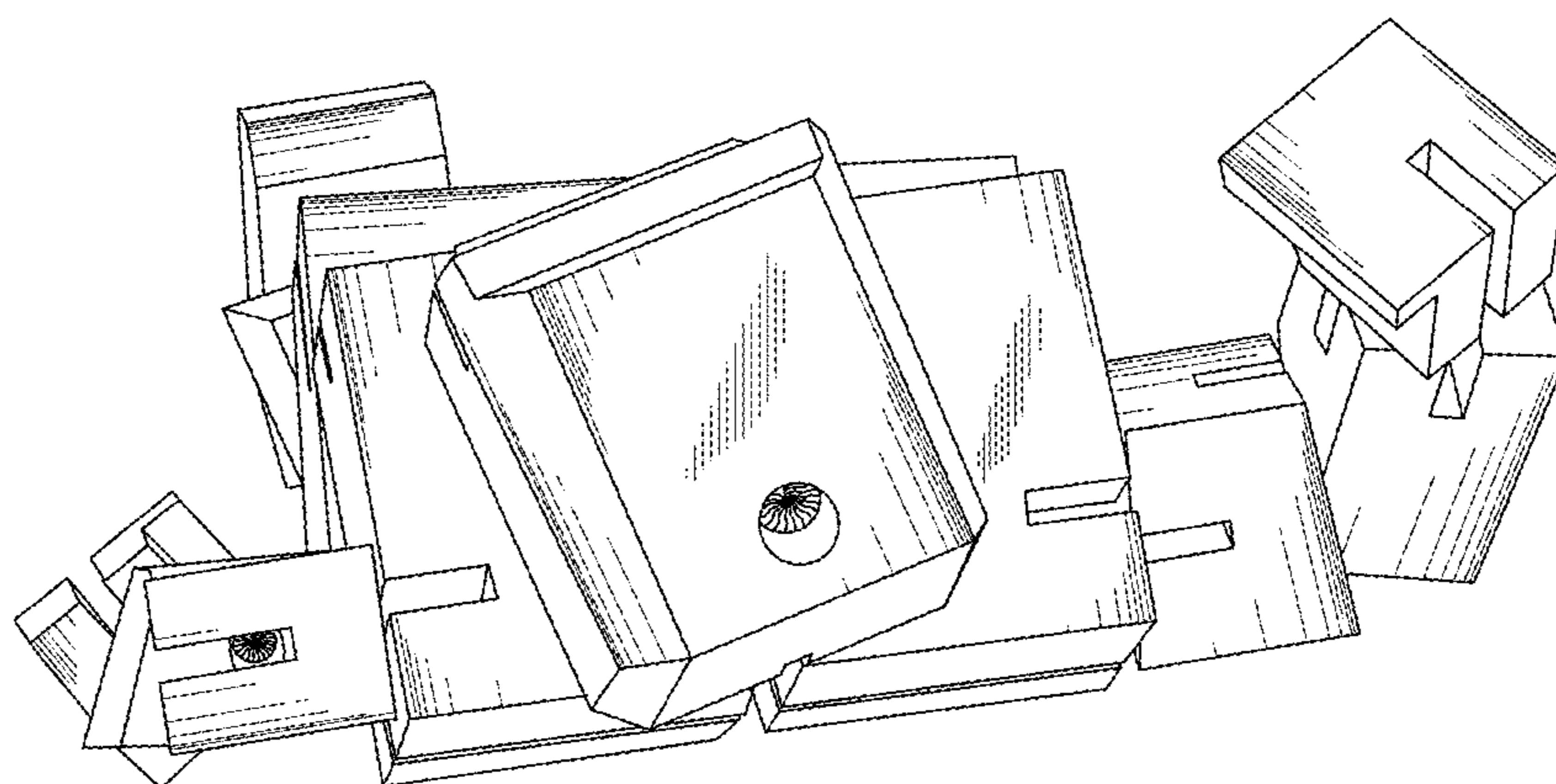


FIG. 5

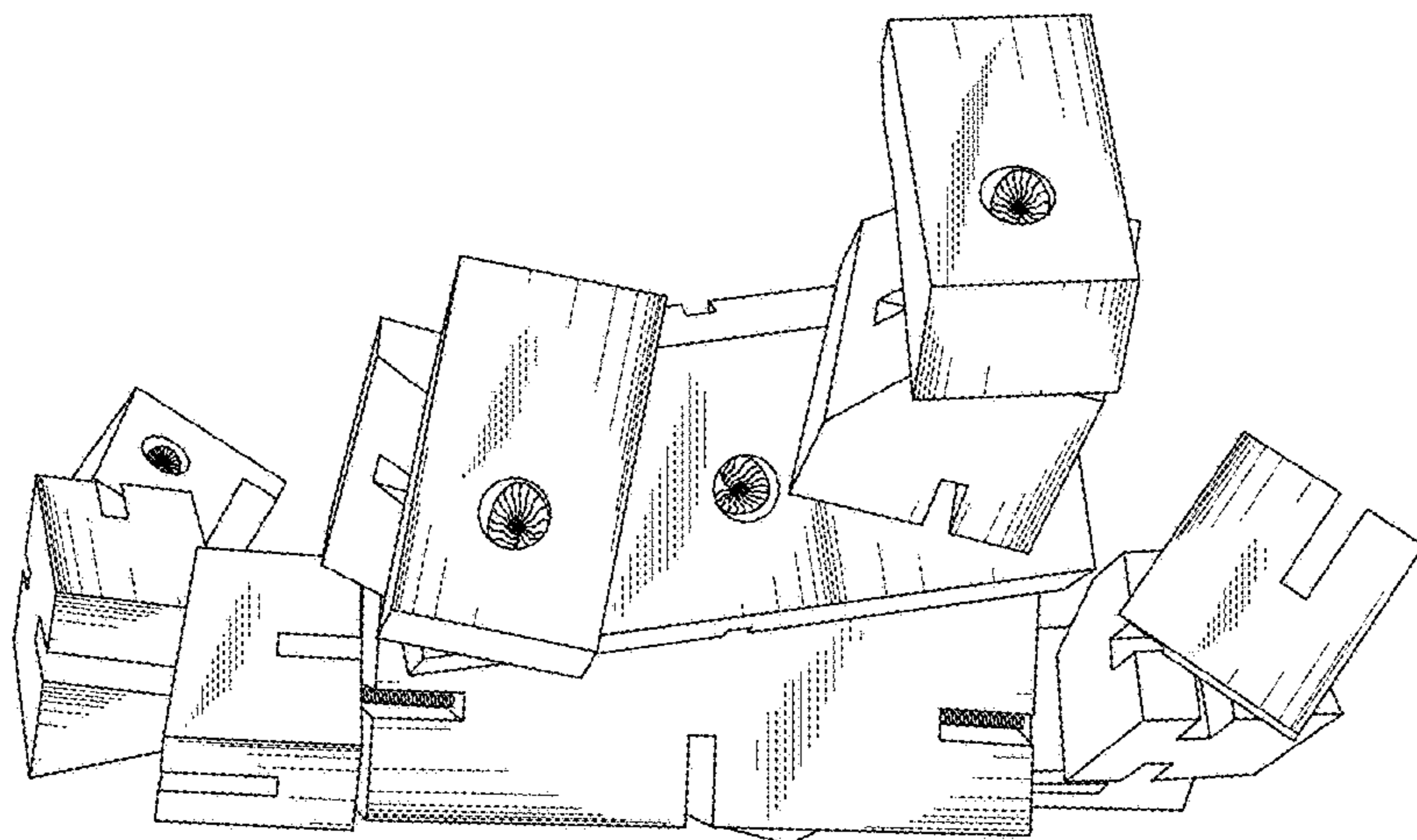


FIG. 6

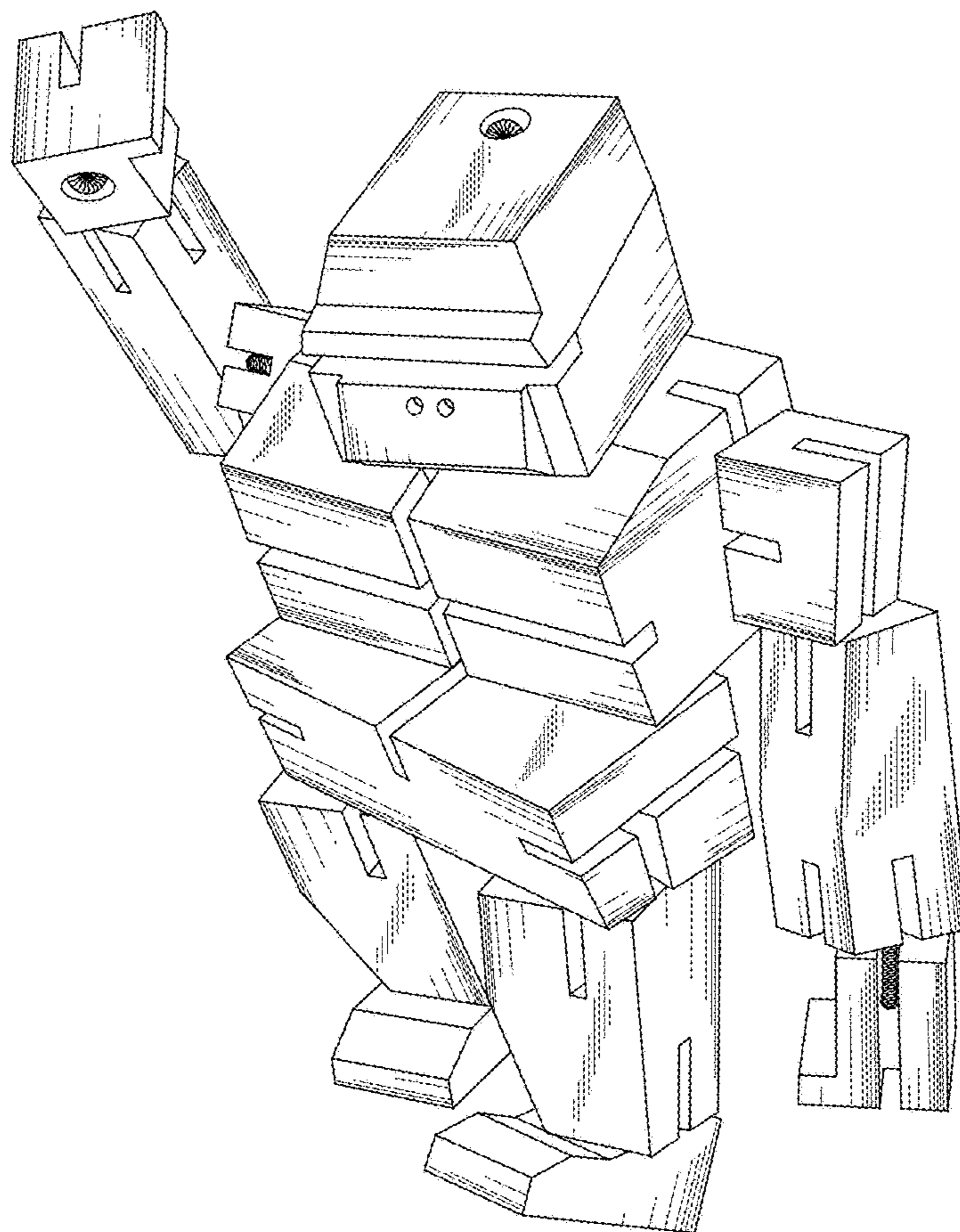


FIG. 7

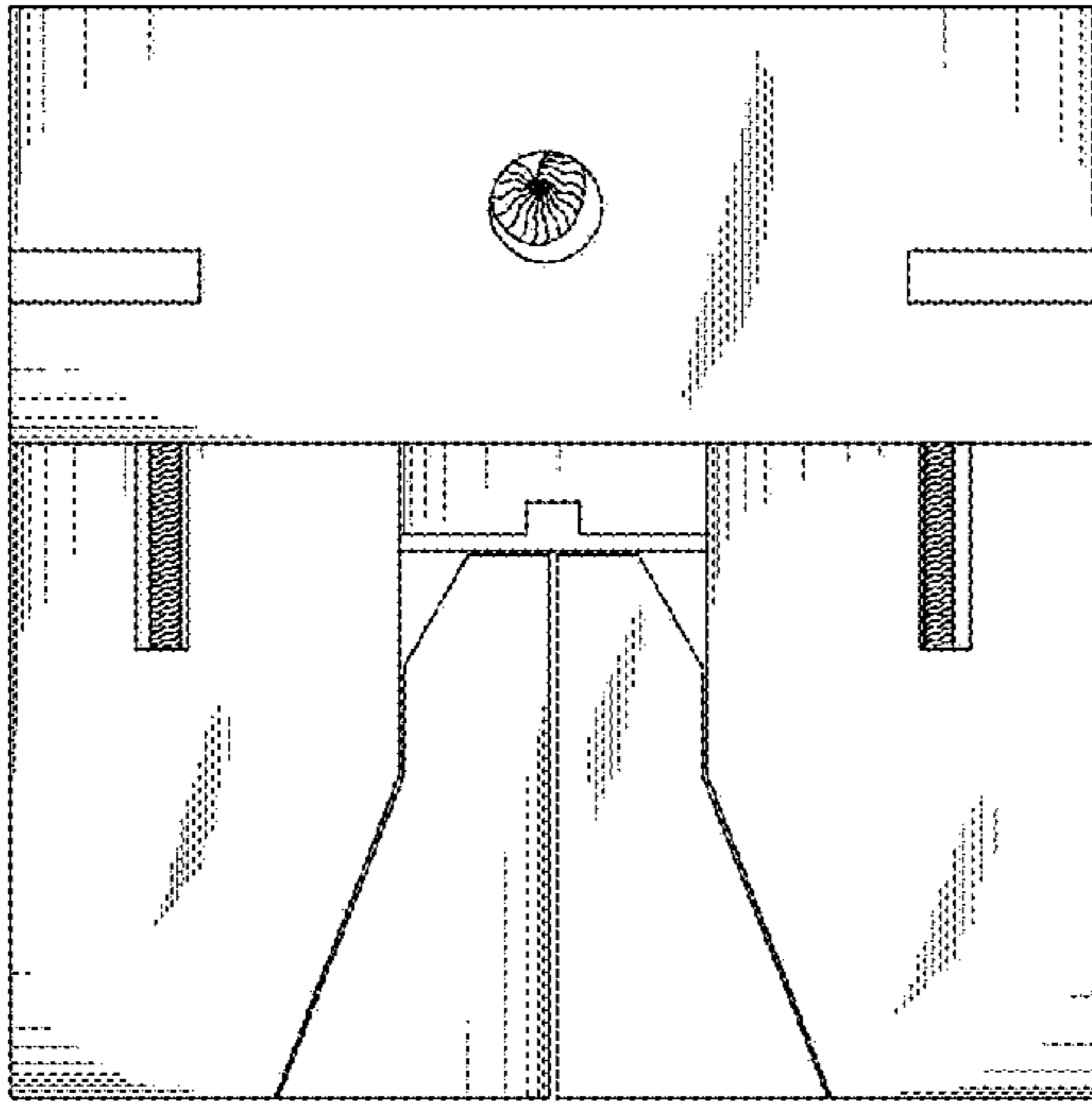


FIG. 8

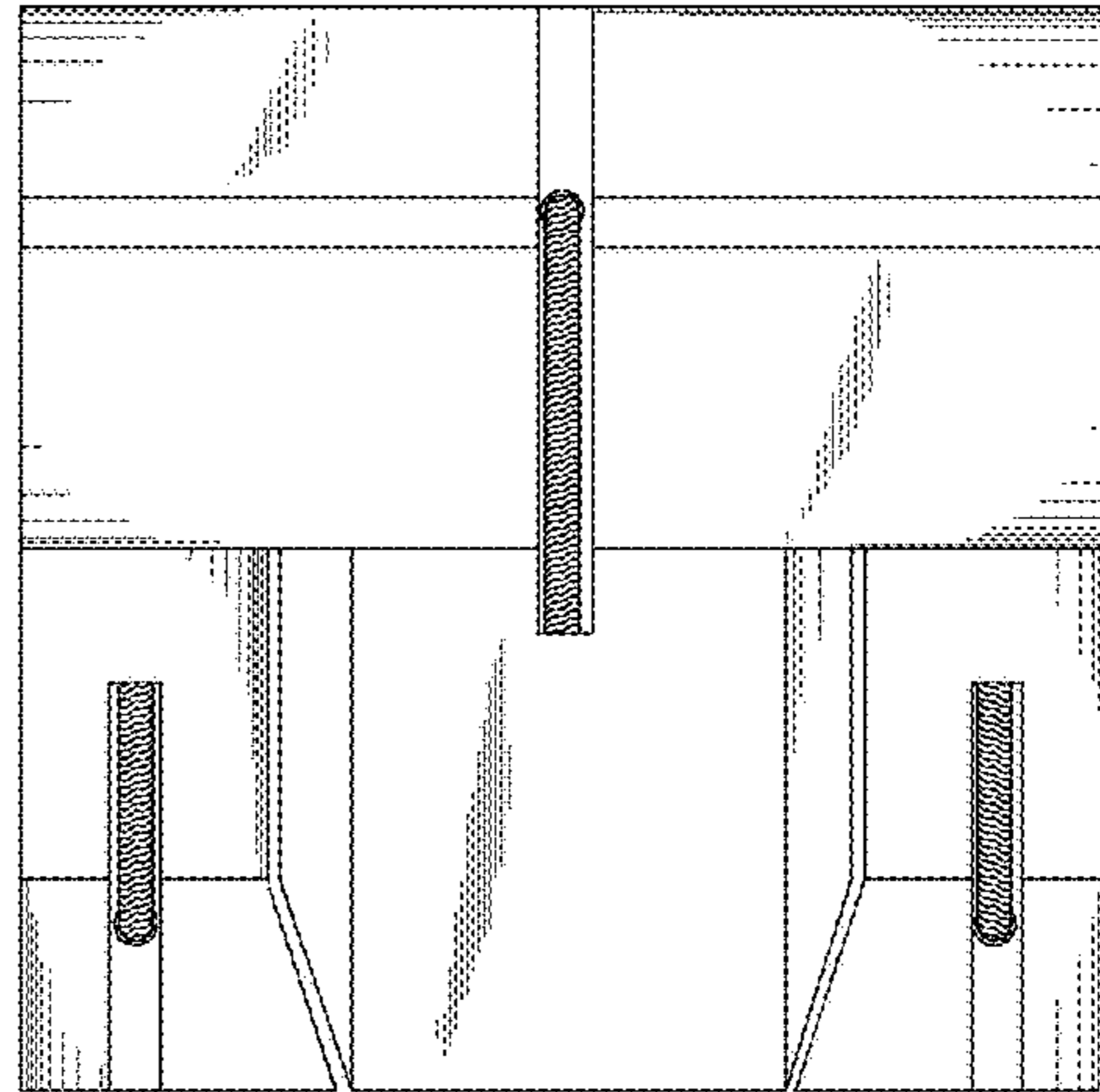


FIG. 9

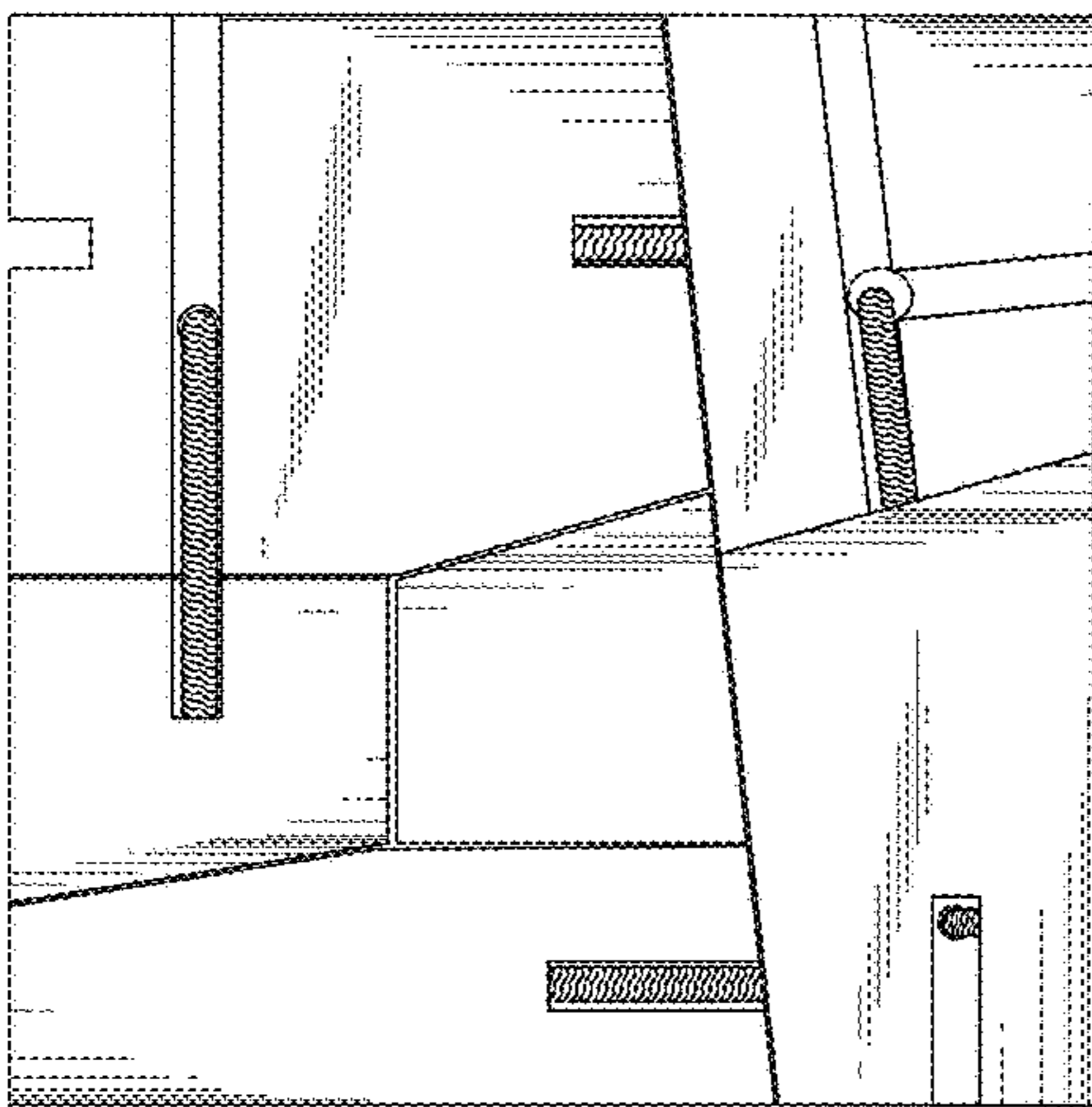


FIG. 10

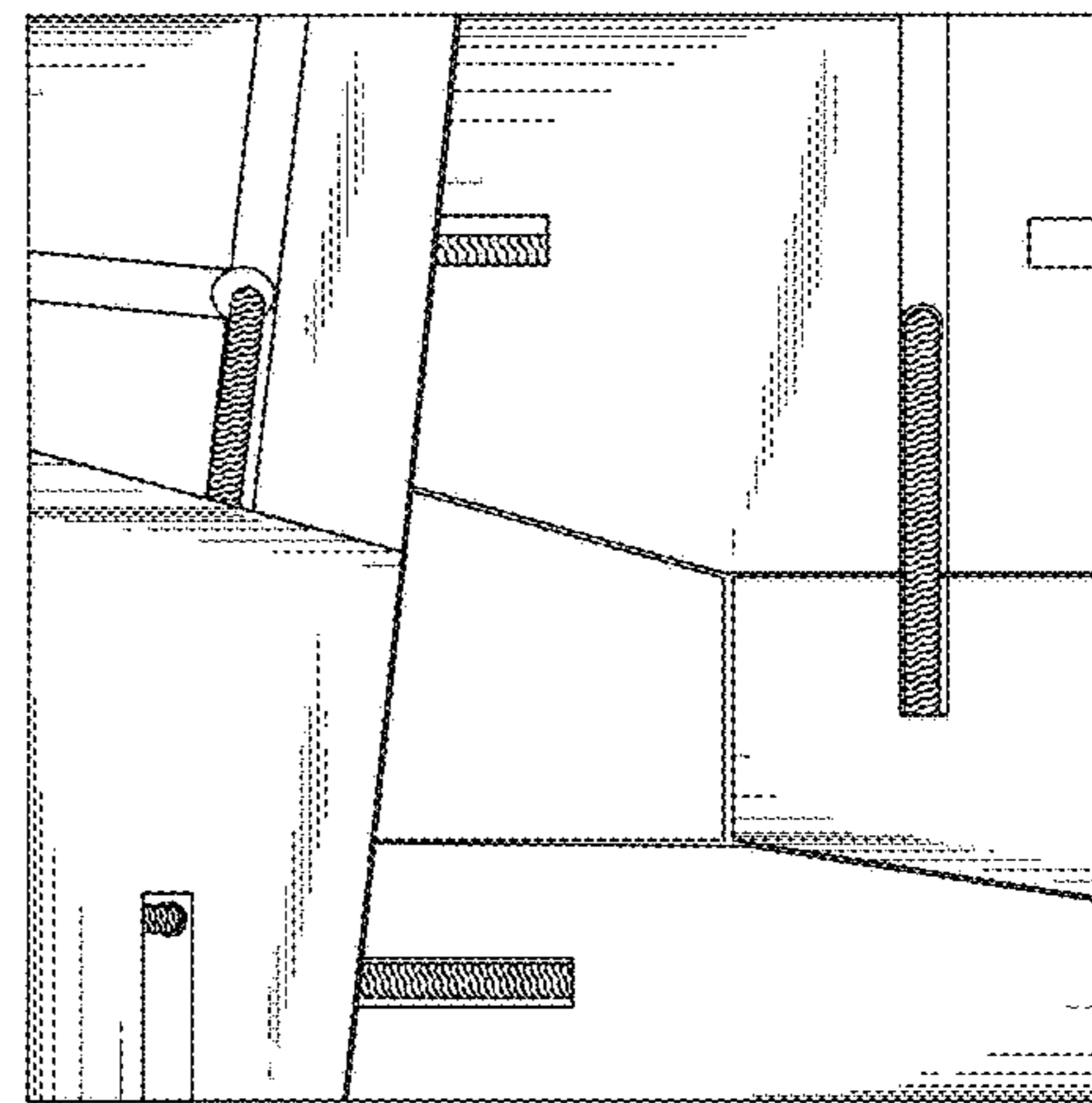


FIG. 11

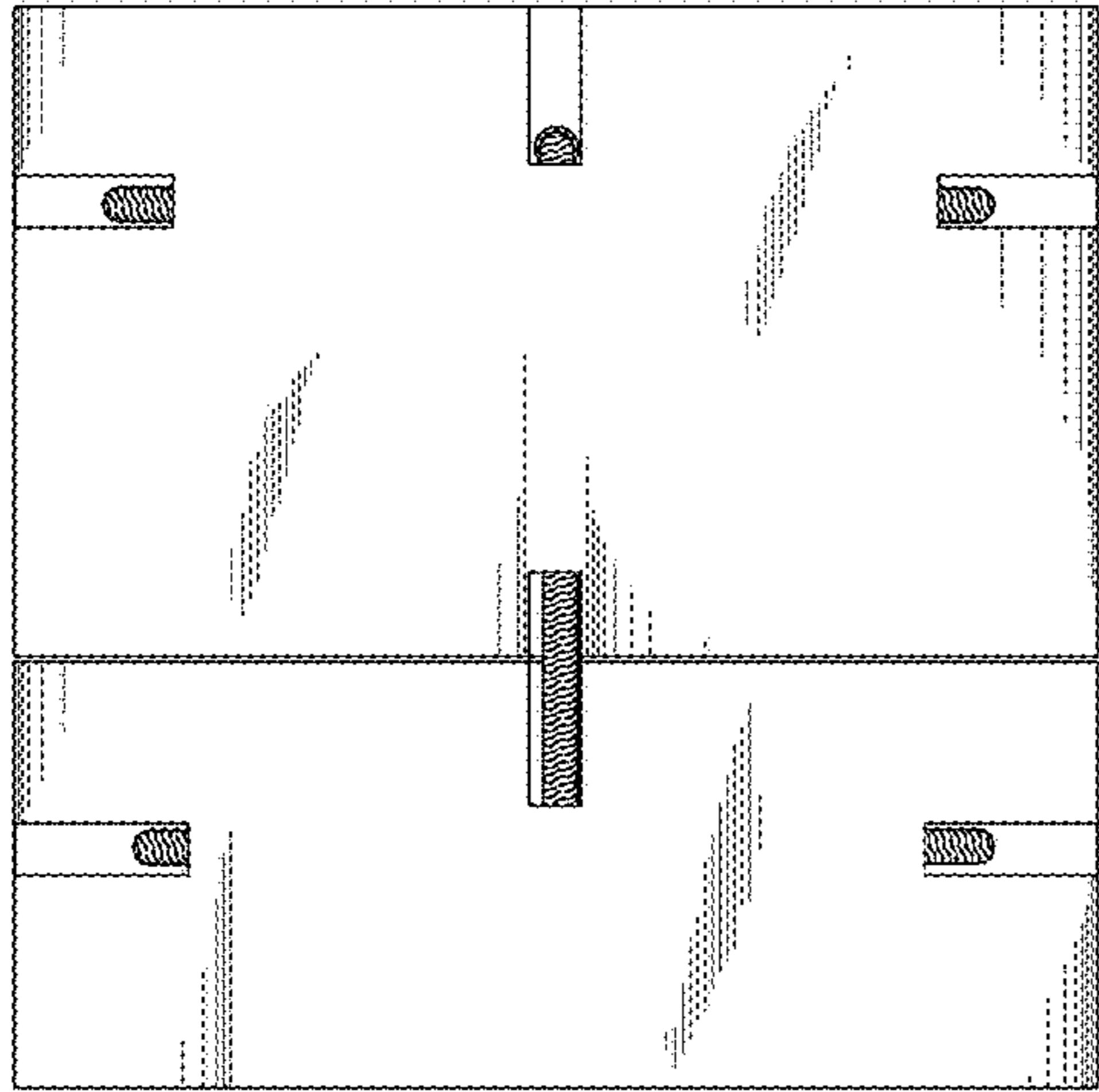


FIG. 12

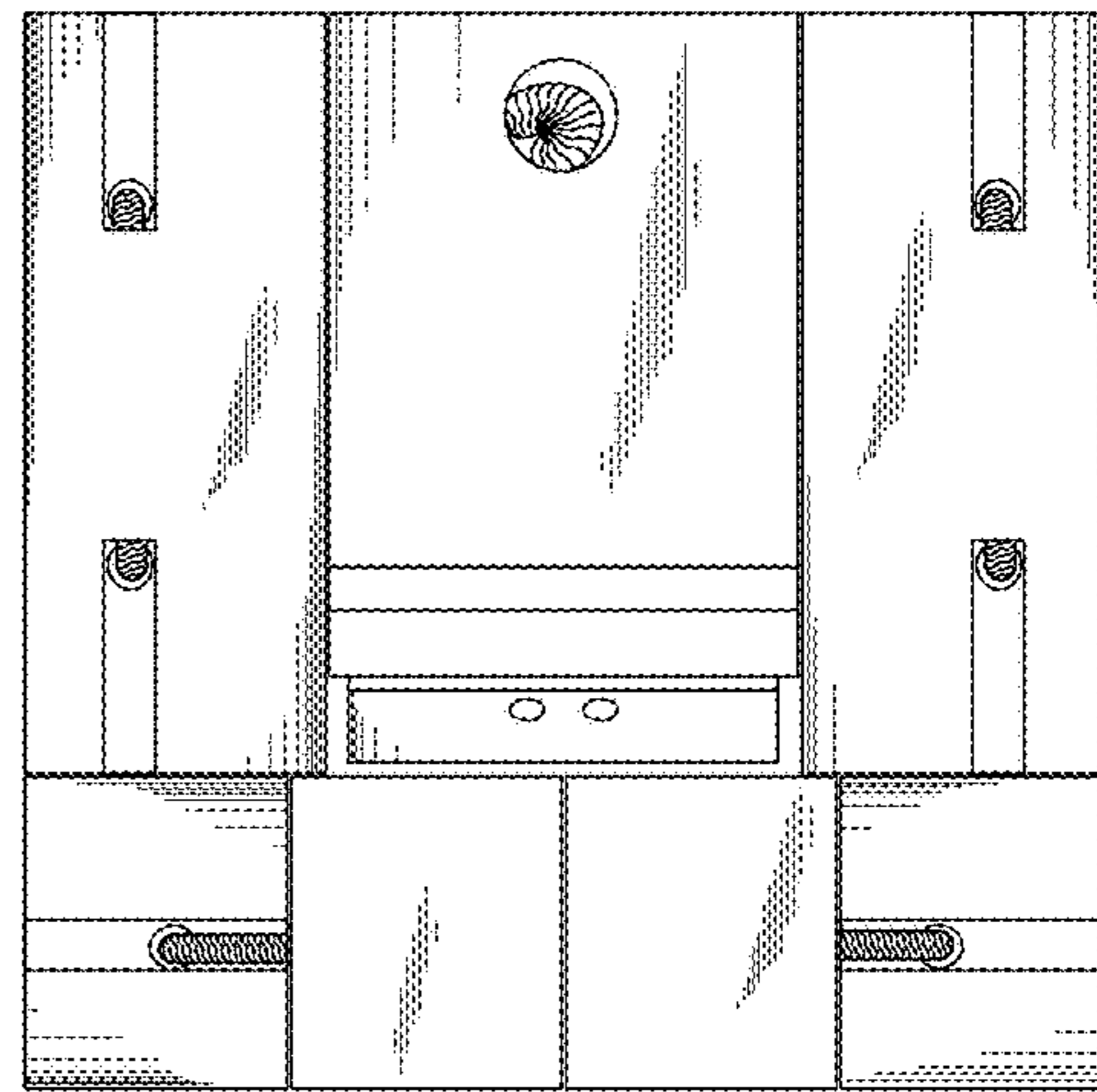


FIG. 13

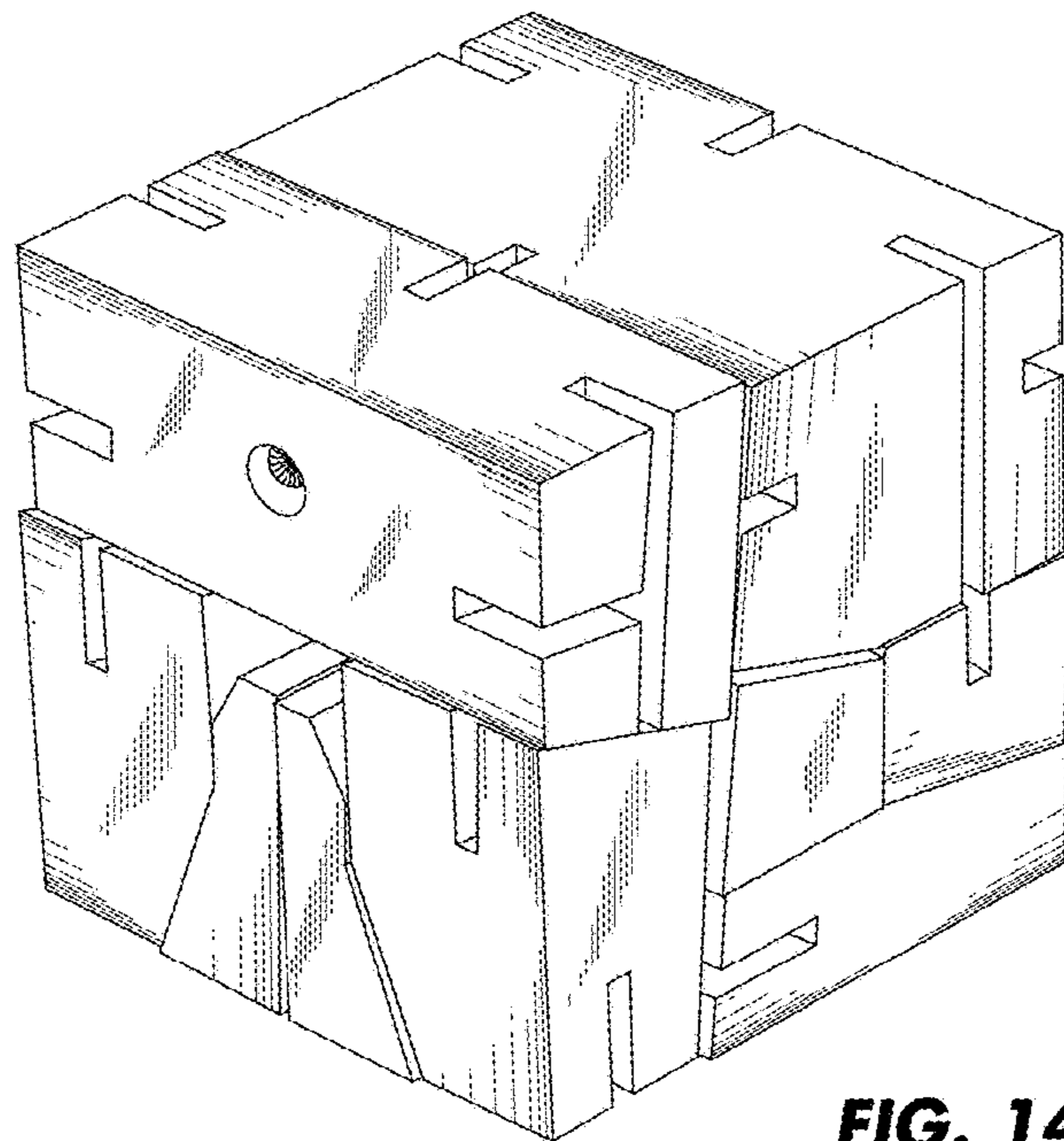


FIG. 14