



US00D865080S

(12) **United States Design Patent** (10) **Patent No.:** **US D865,080 S**
Sprowl et al. (45) **Date of Patent:** **** Oct. 29, 2019**

(54) **MODEL VEHICLE WHEEL**

FOREIGN PATENT DOCUMENTS

(71) Applicant: **TRAXXAS LP**, McKinney, TX (US)

TW D114104 S 12/2006
TW D141989 S 8/2011
TW D143556 S 11/2011

(72) Inventors: **Jory Sprowl**, Wolfe City, TX (US);
Kent Poteet, Lucas, TX (US)

OTHER PUBLICATIONS

(73) Assignee: **TRAXXAS LP**, McKinney, TX (US)

KMC XD Series XD228 Machete Desert Beadlock Machined Custom Wheels Rims; <http://www.customwheelsexpress.com/custom-wheels-by-brand-xd-series-by-kmc-kmc-xd-series-xd228-machete-desert-beadlock-machined-custom-wheels-rims-p-2930.html>; Aug. 2016.

(**) Term: **15 Years**

(Continued)

(21) Appl. No.: **29/631,746**

(22) Filed: **Jan. 2, 2018**

(51) **LOC (12) Cl.** **21-01**

Primary Examiner — Manpreet S Matharu
Assistant Examiner — Keith J Wilson

(52) **U.S. Cl.**
USPC **D21/563**; D12/204

(74) *Attorney, Agent, or Firm* — Daryl R. Wright; Greg Carr

(58) **Field of Classification Search**
USPC D12/204–213; D21/424, 433, 548, 550, D21/563

(57) **CLAIM**

We claim the ornamental design for a model vehicle wheel, as shown and described.

CPC B60B 1/12; B60B 7/00; B60B 7/01; B60B 7/02; B60B 7/04; B60B 7/06; B60B 3/02; B60B 3/04; B60B 3/06; B60B 3/10; B60B 1/00; B60B 1/08; B60B 1/10
See application file for complete search history.

DESCRIPTION

FIG. 1 is a top, right, front perspective view of a model vehicle wheel;

(56) **References Cited**

U.S. PATENT DOCUMENTS

- D316,731 S 5/1991 Tsuchiya
- D420,637 S 2/2000 Glade
- D444,118 S 6/2001 Chung
- D466,067 S 11/2002 Muzzarelli
- D469,728 S 2/2003 Kataoka
- D481,982 S 11/2003 Takechi
- D492,234 S 6/2004 Kataoka
- D499,683 S 12/2004 Kushartanto
- D500,006 S 12/2004 Cahyono
- D524,216 S 7/2006 Scheu
- D530,757 S 10/2006 Jones
- D534,968 S 1/2007 Proch

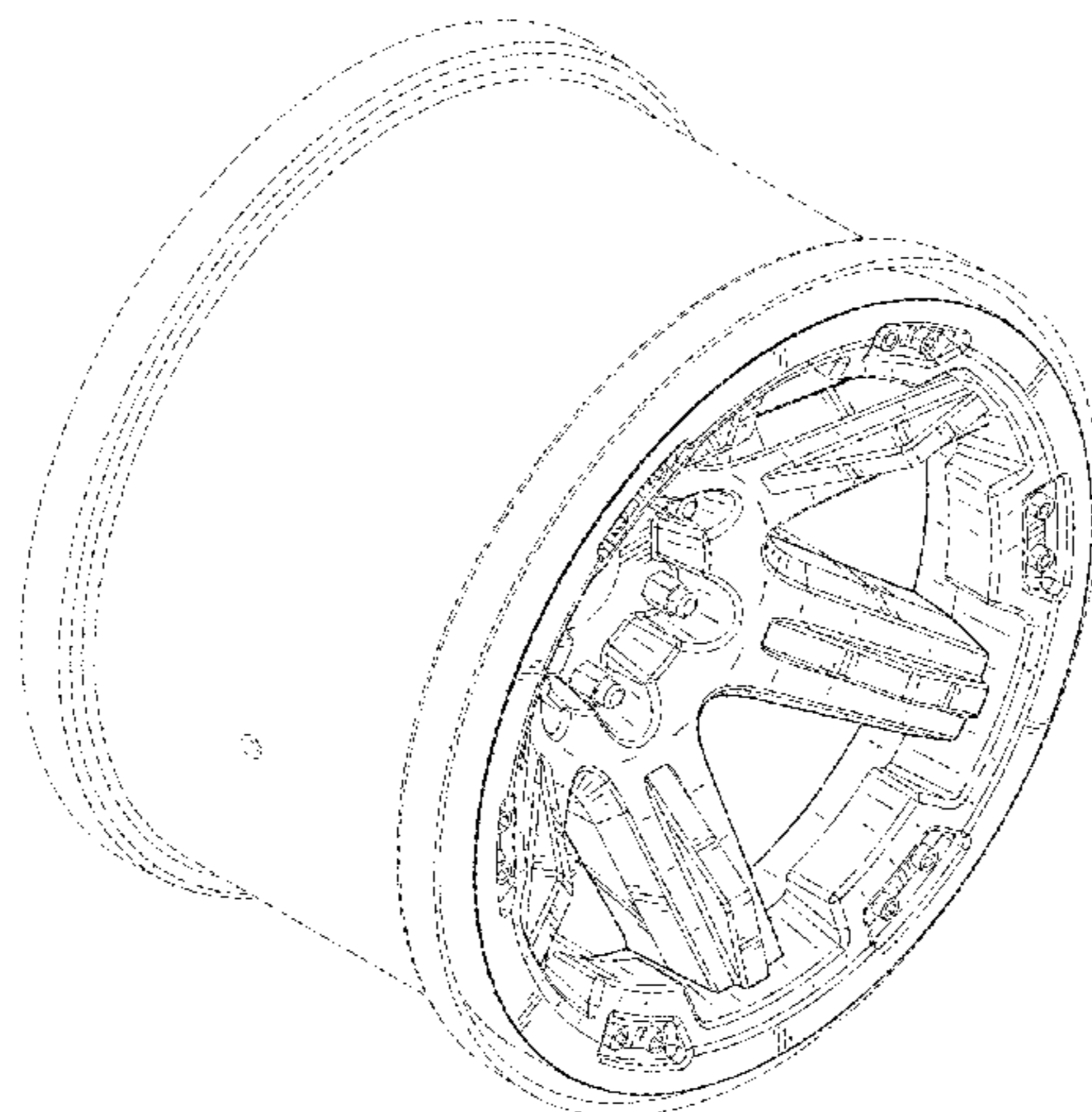
FIG. 2 is front elevation view thereof;

FIG. 3 is a left side elevation view thereof; the right side elevation view is a rotated image of the left side elevation view; the top and bottom plan views are identical to the left and right side elevation views; and,

FIG. 4 is a top, left, front environmental perspective view showing an environmental structure and context of the present invention.

In the drawings, the broken line showing of features of a model vehicle wheel illustrate portions of the model vehicle wheel that form no part of the claimed design; whereas, the broken line showing of the environmental view depicts environmental subject matter and is provided for the purposes of illustrating environmental structure and context.

1 Claim, 4 Drawing Sheets



(56)

References Cited

U.S. PATENT DOCUMENTS

D536,293 S 2/2007 Brouillette et al.
 D543,493 S * 5/2007 Kim D12/209
 D546,264 S 7/2007 Young et al.
 D569,778 S * 5/2008 Kim D12/211
 D570,758 S 6/2008 Bhambra
 D579,398 S 10/2008 Kim
 D583,292 S 12/2008 Chung
 D587,181 S 2/2009 Musser
 D590,322 S 4/2009 Rak
 D597,012 S * 7/2009 Chung D12/211
 D603,778 S 11/2009 Chung
 D614,108 S 4/2010 Varga
 D617,722 S 6/2010 Zhao
 D619,072 S 7/2010 Gallert
 D627,698 S 11/2010 Zhang
 D628,135 S 11/2010 Zhao
 D633,028 S * 2/2011 Kim D12/211
 D636,319 S 4/2011 Toth
 D639,220 S 6/2011 Zhao
 D662,868 S 7/2012 Furst et al.
 D663,668 S 7/2012 Pollmann
 D670,227 S * 11/2012 Chung D12/211
 D671,875 S 12/2012 Camacho et al.
 D688,188 S 8/2013 Baum
 D697,008 S 1/2014 Juergens et al.
 D697,010 S 1/2014 Lorinser
 D719,893 S * 12/2014 Kim D12/211
 D727,822 S 4/2015 Wheel
 D727,829 S * 4/2015 Chung D12/211
 D729,721 S 5/2015 Fahr-Becker

D730,799 S 6/2015 Hans et al.
 D741,240 S 10/2015 Melabiotis et al.
 D743,315 S 11/2015 Perini
 D753,048 S * 4/2016 Chan D12/211
 D753,571 S 4/2016 Juergens et al.
 D769,169 S 10/2016 Kumeya et al.
 D769,785 S * 10/2016 Wells D12/211
 D780,654 S 3/2017 Gallert
 D784,238 S 4/2017 Chu et al.
 D784,462 S 4/2017 Barajas et al.
 D787,407 S * 5/2017 Chung D12/211
 D790,427 S * 6/2017 Palana D12/211
 D791,057 S * 7/2017 Johnson D12/211
 D791,668 S 7/2017 Murase
 D796,407 S 9/2017 Krause
 D799,394 S 10/2017 Yamashita
 D803,130 S * 11/2017 Taylor D12/209
 D805,455 S * 12/2017 Kong D12/209
 D805,990 S 12/2017 Mizutani
 D806,628 S 1/2018 Schell et al.
 2017/0080350 A1 3/2017 Allmendinger et al.

OTHER PUBLICATIONS

MSA M21 LOK (Beadlock); <https://msawheels.com/wheels/m21-lok>; Aug. 2016.
 OMF Performance Products; Beadlocked Wheels; https://www.omfperformance.com/beadlocked_wheels_uq.php; Aug. 2016.
 Taiwan IPO Search Report; completed Aug. 4, 2016; regarding Taiwan Design Patent Application No. 105301436.

* cited by examiner

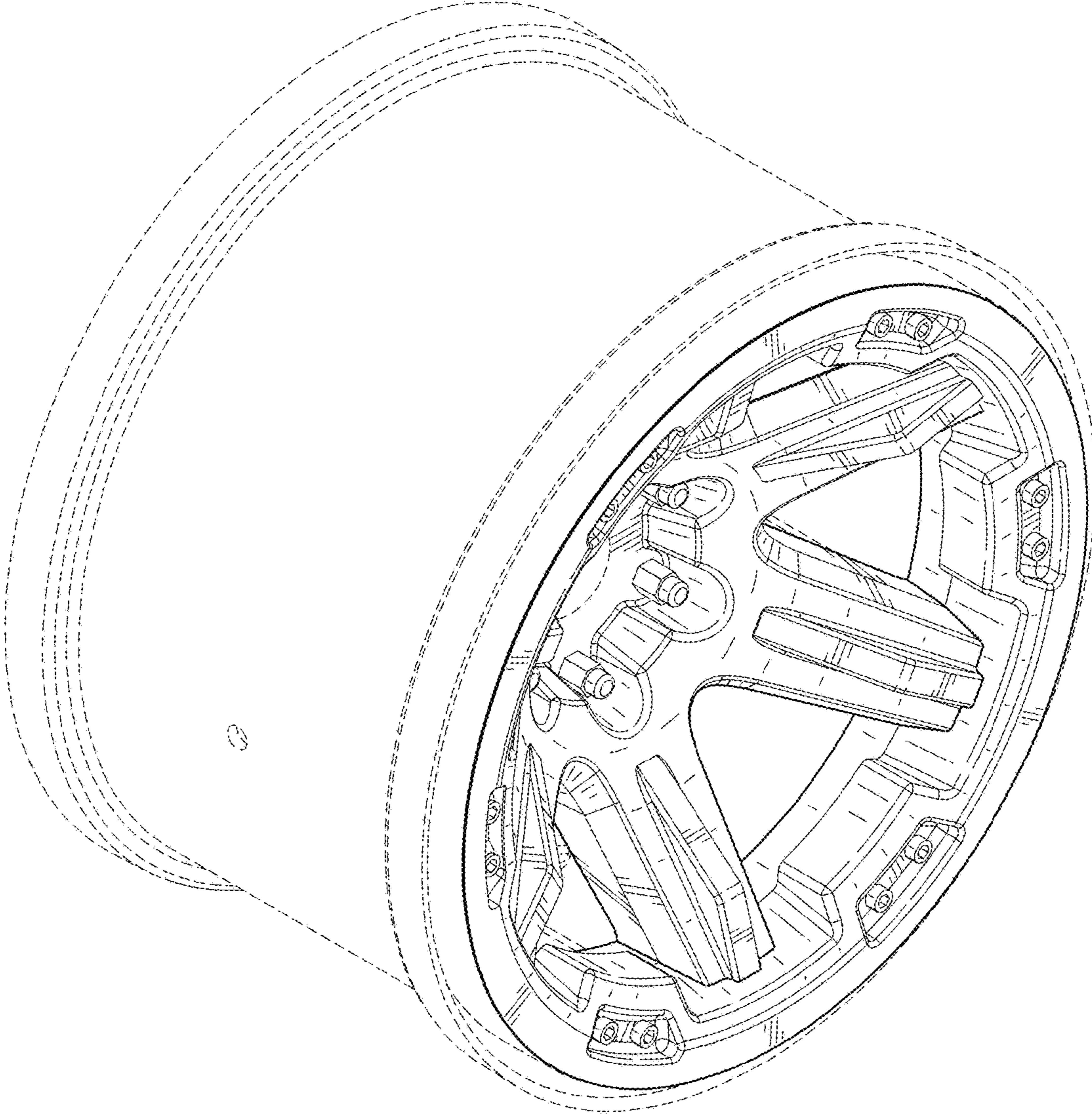


FIG. 1

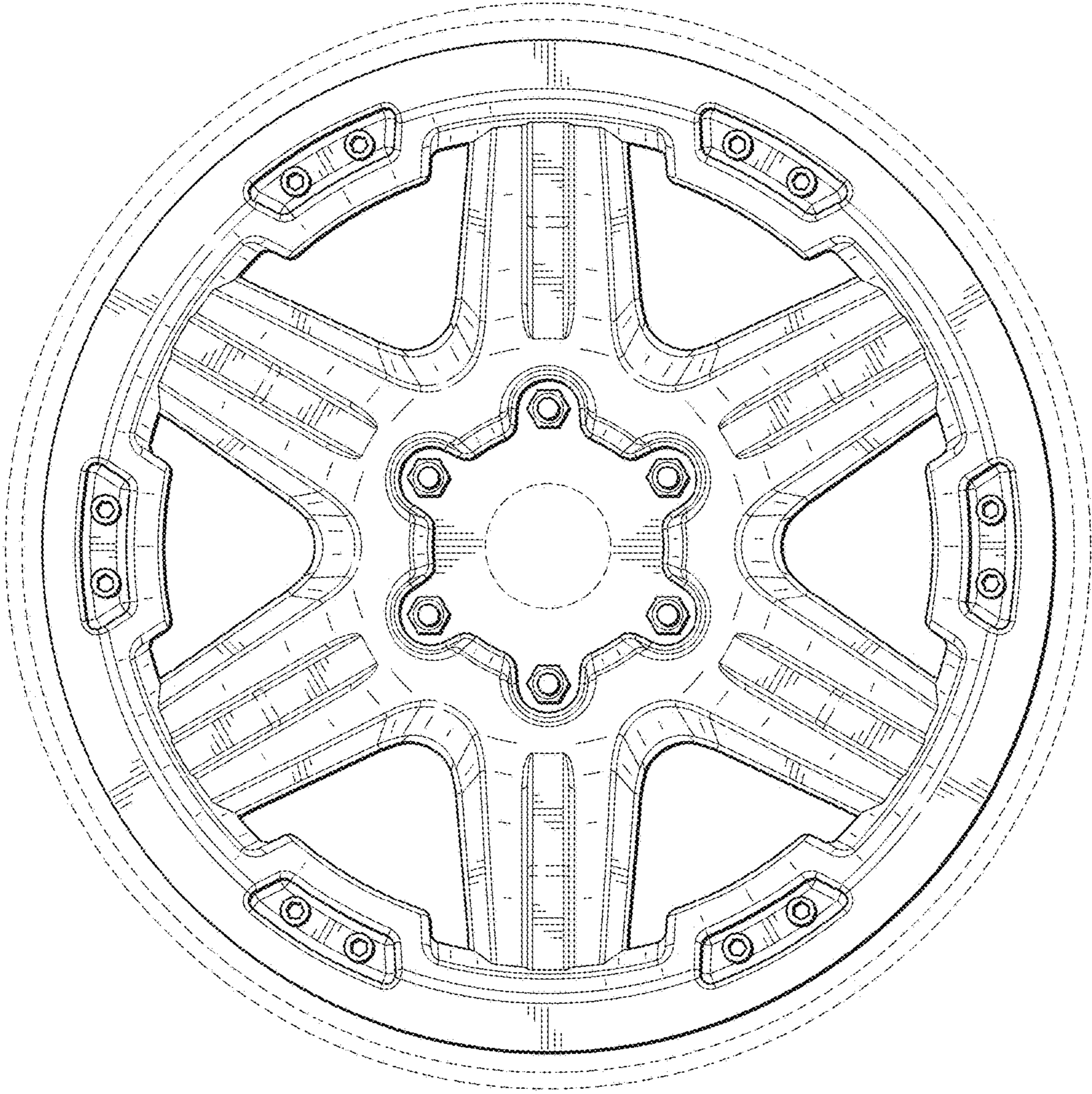


FIG. 2

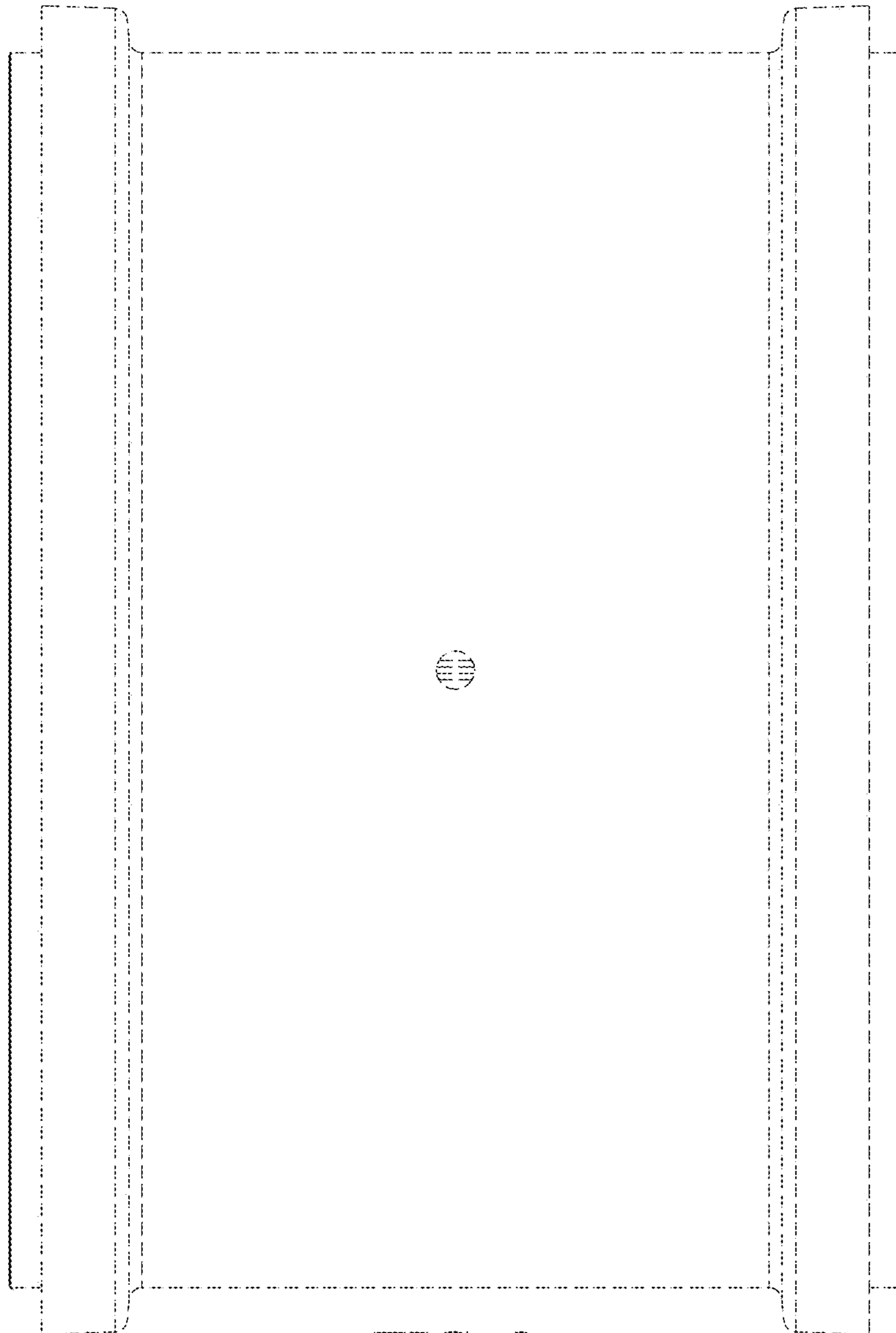


FIG. 3

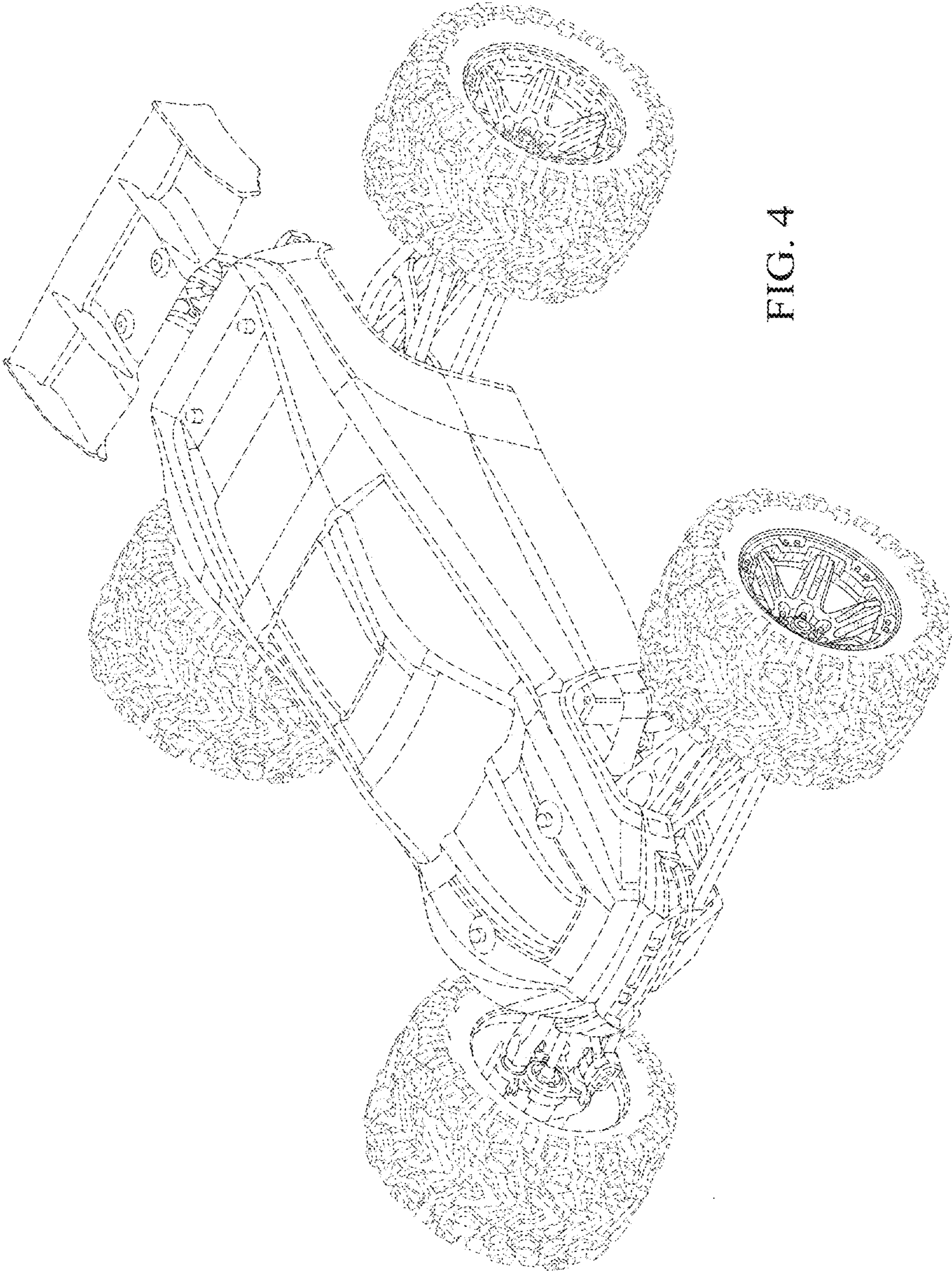


FIG. 4