



US00D865079S

(12) **United States Design Patent**
Ewing

(10) **Patent No.:** **US D865,079 S**

(45) **Date of Patent:** **** Oct. 29, 2019**

(54) **UPPER REAR DAMPER MOUNT FOR A MODEL VEHICLE**

(71) Applicant: **TRAXXAS LP**, McKinney, TX (US)

(72) Inventor: **Adam Cole Ewing**, McKinney, TX (US)

(73) Assignee: **TRAXXAS LP**, McKinney, TX (US)

(**) Term: **15 Years**

(21) Appl. No.: **29/632,201**

(22) Filed: **Jan. 5, 2018**

(51) **LOC (12) Cl.** **21-01**

(52) **U.S. Cl.**
USPC **D21/561**; D12/159

(58) **Field of Classification Search**
USPC D21/495, 561; D12/159-160
(Continued)

(56) **References Cited**

U.S. PATENT DOCUMENTS

D46,086 S * 7/1914 Clark D12/159
4,706,989 A * 11/1987 Iijima B60G 7/006
180/414

(Continued)

FOREIGN PATENT DOCUMENTS

DE 3622552 A1 * 1/1988 B60G 3/20
DE 202018103151 U1 * 1/1988 B60G 7/00

(Continued)

OTHER PUBLICATIONS

CN-304138171, posted at Orbit.com, publication date May 17, 2017. Site visited Apr. 12, 2019. Available from Internet. (Year: 2017).*

(Continued)

Primary Examiner — Kevin K Rudzinski

Assistant Examiner — Kathleen L Jones

(74) *Attorney, Agent, or Firm* — Daryl R. Wright; Greg Carr

(57) **CLAIM**

I claim the ornamental design for an upper rear damper mount for a model vehicle, as shown and described.

DESCRIPTION

FIG. 1 is a top, right, front perspective view of a first embodiment of an upper rear damper mount for a model vehicle;

FIG. 2 is a front elevation view thereof;

FIG. 3 is a rear elevation view thereof;

FIG. 4 is a left side elevation view thereof;

FIG. 5 is a right side elevation view thereof;

FIG. 6 is a top plan view thereof;

FIG. 7 is a bottom plan view thereof;

FIG. 8 is a top, left, rear perspective view;

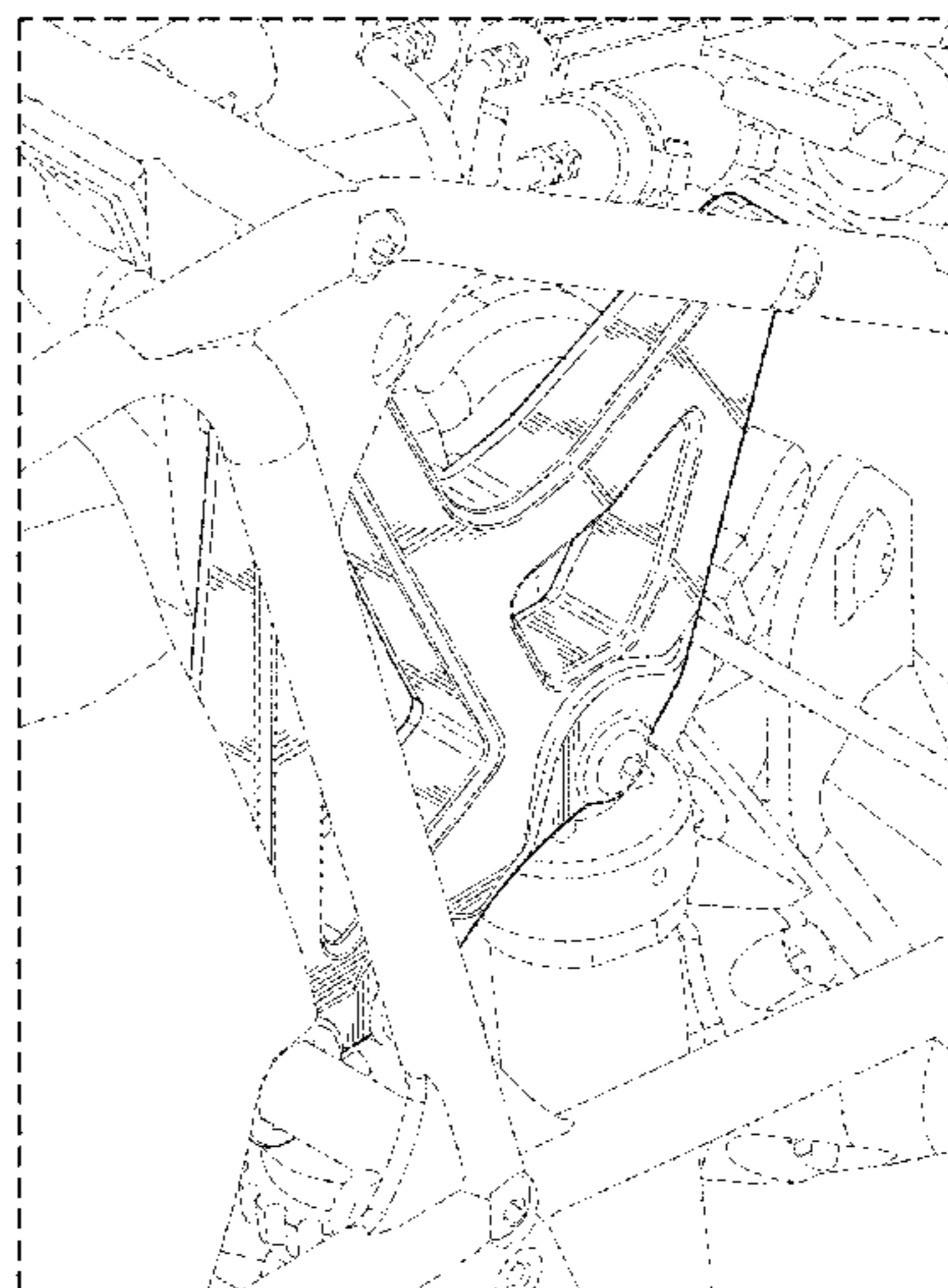
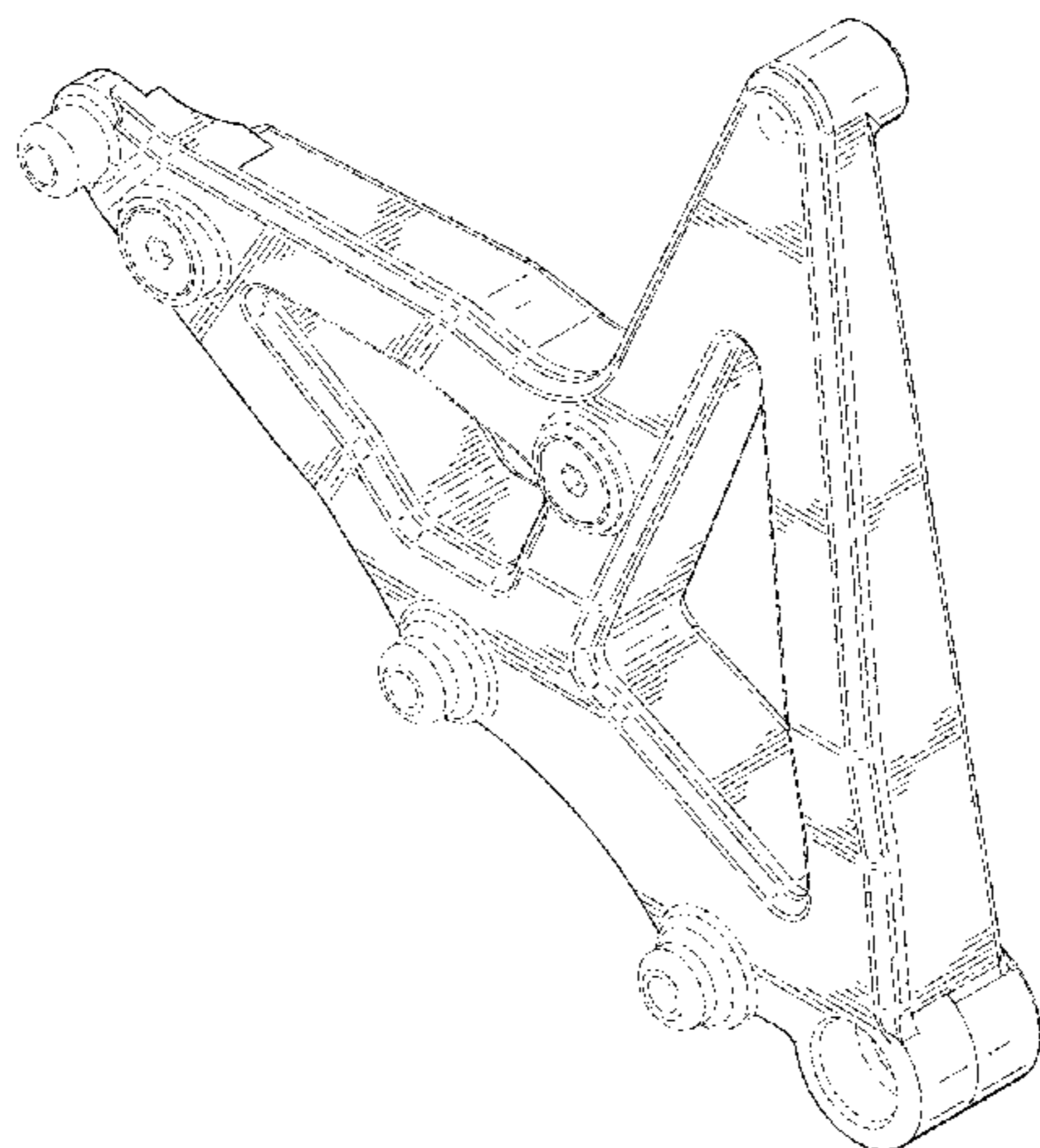
FIG. 9 is a top, left, front perspective view thereof showing the upper rear damper mount for a model vehicle within a broken line environment of use; and,

FIG. 10 is an enlarged detail view of the upper rear damper mount for a model vehicle shown in FIG. 9.

In the drawings, the broken line showing of features of the upper rear damper mount for a model vehicle illustrate portions of the upper rear damper mount for a model vehicle that form no part of the claimed design; whereas, the broken lines showing a model vehicle in FIGS. 9-10 are included to illustrate environmental structure and form no part of the claimed design.

In the drawings, only the first embodiment of an upper rear damper mount for a model vehicle is shown. The second embodiment of the claimed design is a right upper rear damper mount for a model vehicle, which is a mirror image of the left upper rear damper mount for a model vehicle disclosed as the first embodiment.

1 Claim, 8 Drawing Sheets



(58) **Field of Classification Search**

CPC B60G 2200/1322; B60G 2200/14; B60G 2200/142; B60G 2200/1422; B60G 2200/1424; B60G 2200/1442; B60G 2200/156; B60G 2200/182; B60G 2200/22; B60G 2200/315

See application file for complete search history.

2016/0318362	A1*	11/2016	Watanabe	B60G 3/04
2017/0050483	A1*	2/2017	Gordon	B60G 7/001
2017/0274932	A1*	9/2017	Byrnes, Jr.	B60G 3/20
2018/0326843	A1*	11/2018	Danielson	F16H 57/035
2019/0143871	A1*	5/2019	Weber	B60P 1/04
2019/0145465	A1*	5/2019	Olason	F16D 3/223
2019/0217894	A1*	7/2019	Upah	B62D 21/155
2019/0225042	A1*	7/2019	Upah	B60G 3/207

(56) **References Cited**

U.S. PATENT DOCUMENTS

5,004,257	A *	4/1991	MacIsaac	B60G 21/00 180/299
D335,851	S *	5/1993	Lofy	D12/159
5,516,130	A *	5/1996	Mitchell	B60G 3/20 280/124.134
D385,835	S *	11/1997	Webster	D12/159
5,915,727	A *	6/1999	Bonnville	B60G 7/02 280/124.1
D475,001	S *	5/2003	Roll	D12/159
8,549,752	B1 *	10/2013	Byers	B21D 53/28
D785,513	S *	5/2017	Park	D12/159
D788,653	S *	6/2017	Smith	D12/159
D827,054	S *	8/2018	Ewing	D21/561
10,266,025	B2 *	4/2019	Lorenz	B60G 11/27
D852,095	S *	6/2019	Walter	D12/162
2006/0246819	A1 *	11/2006	Byers	A63H 17/262 446/431

FOREIGN PATENT DOCUMENTS

EP	0070025	A2 *	1/1983	B60G 3/145
EP	3271195	B1 *	5/2019	B60G 7/02
WO	WO-2010066226	A1 *	6/2010	B60G 7/001
WO	WO-2015155890	A1 *	10/2015	B60G 3/06

OTHER PUBLICATIONS

CN-304110963, posted at Orbit.com, publication date Apr. 19, 2017. Site visited Apr. 12, 2019. Available from Internet. (Year: 2017).*

ARTINCbydb, Traxxas E-Revo Upper/Lower Arm Replacement, posted at YouTube, posting date Feb. 4, 2013. Site visited Apr. 12, 2019. URL: <<https://www.youtube.com/watch?v=fGMtjrezT0>> (Year: 2013).*

* cited by examiner

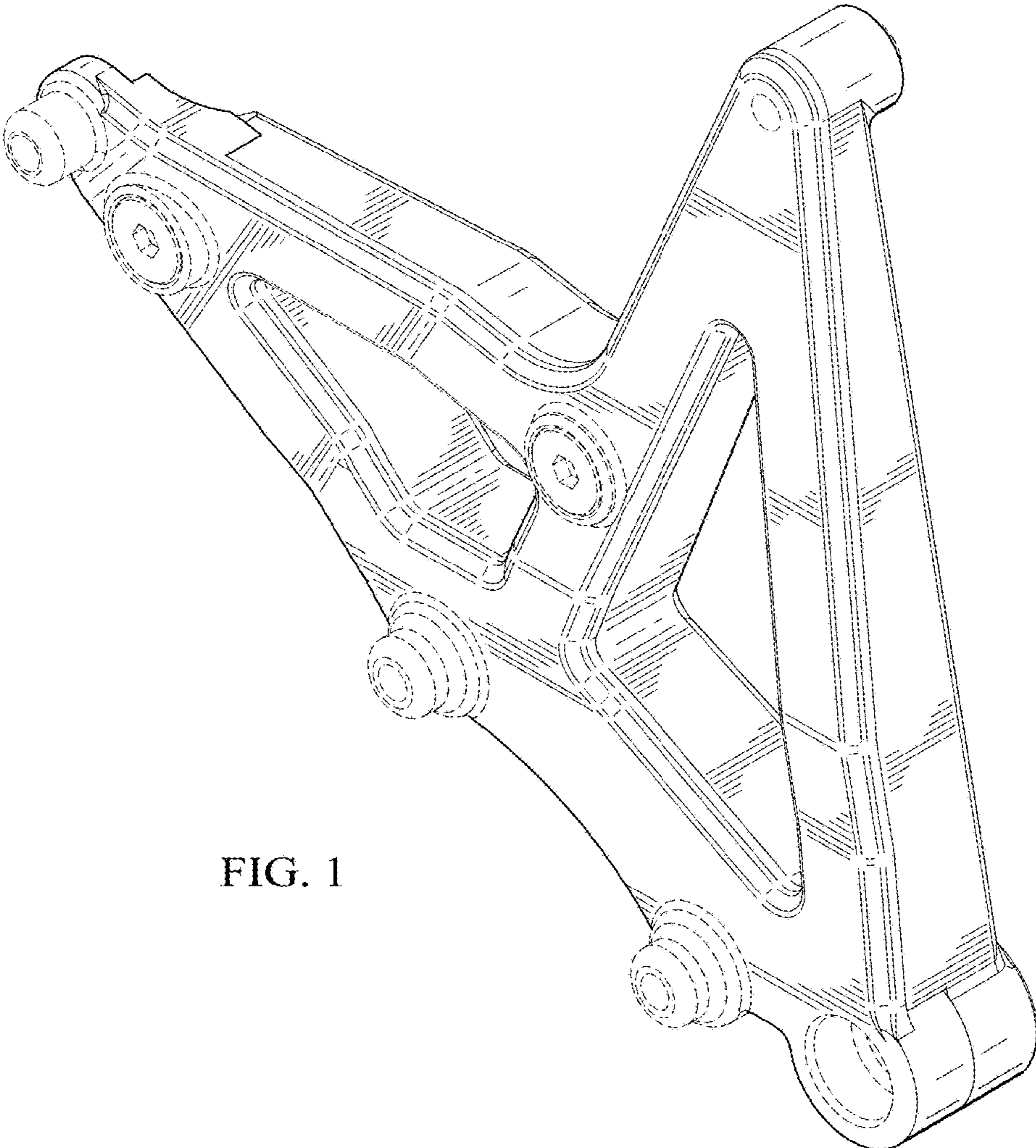


FIG. 1

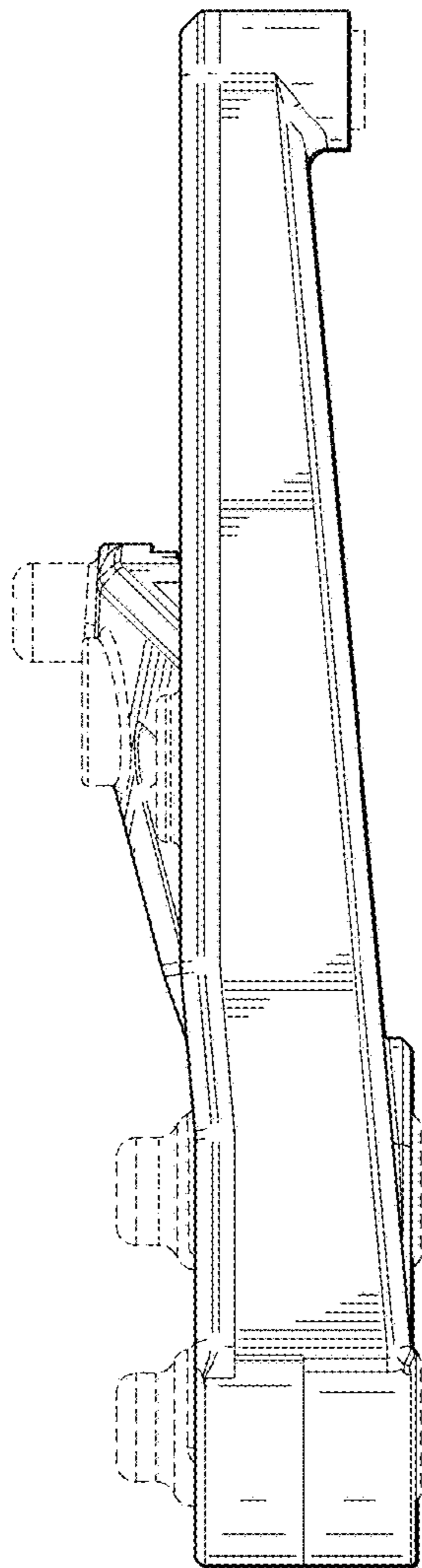


FIG. 2

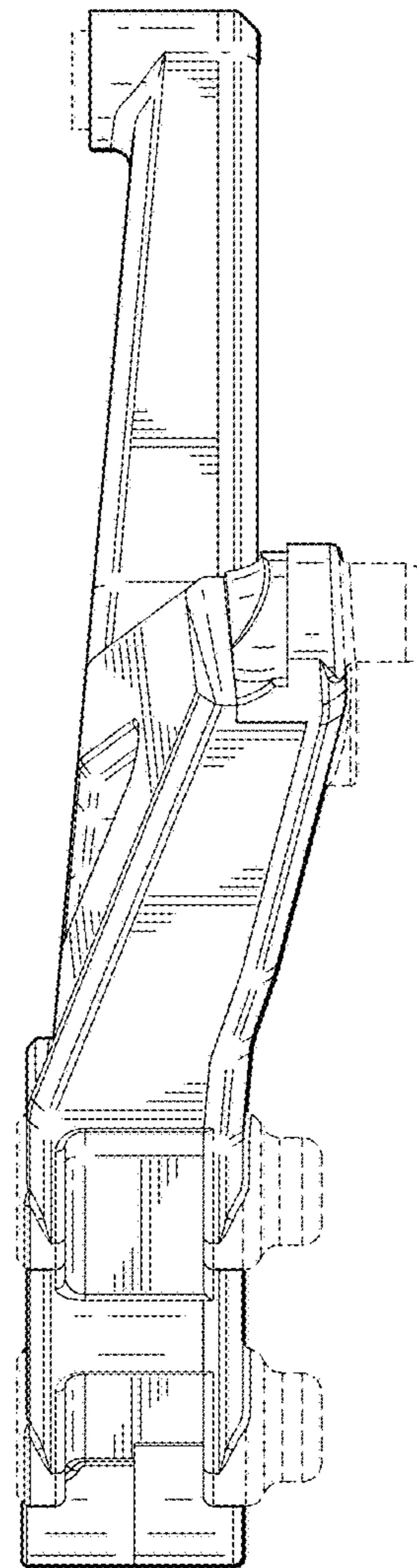


FIG. 3

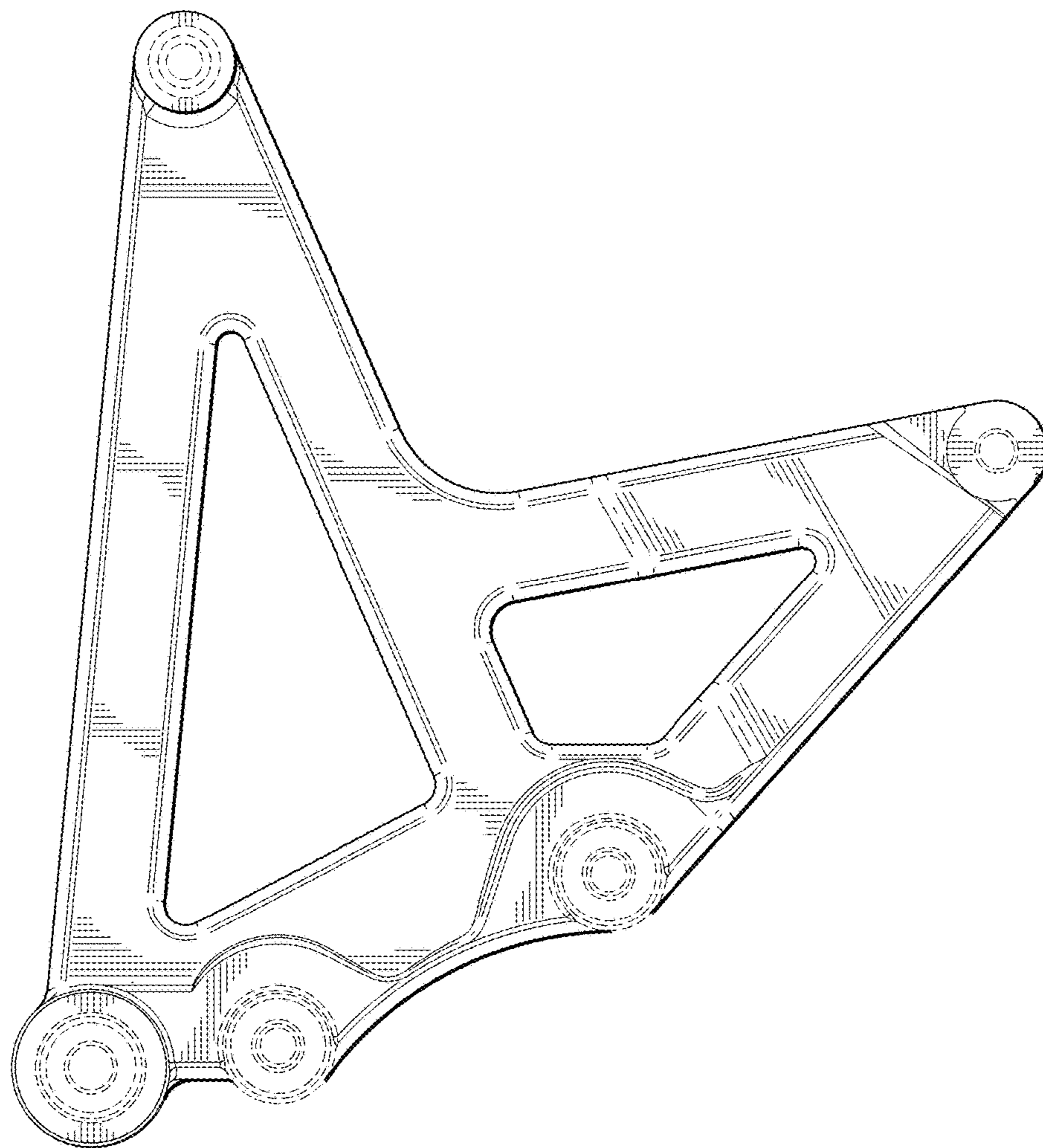


FIG. 4

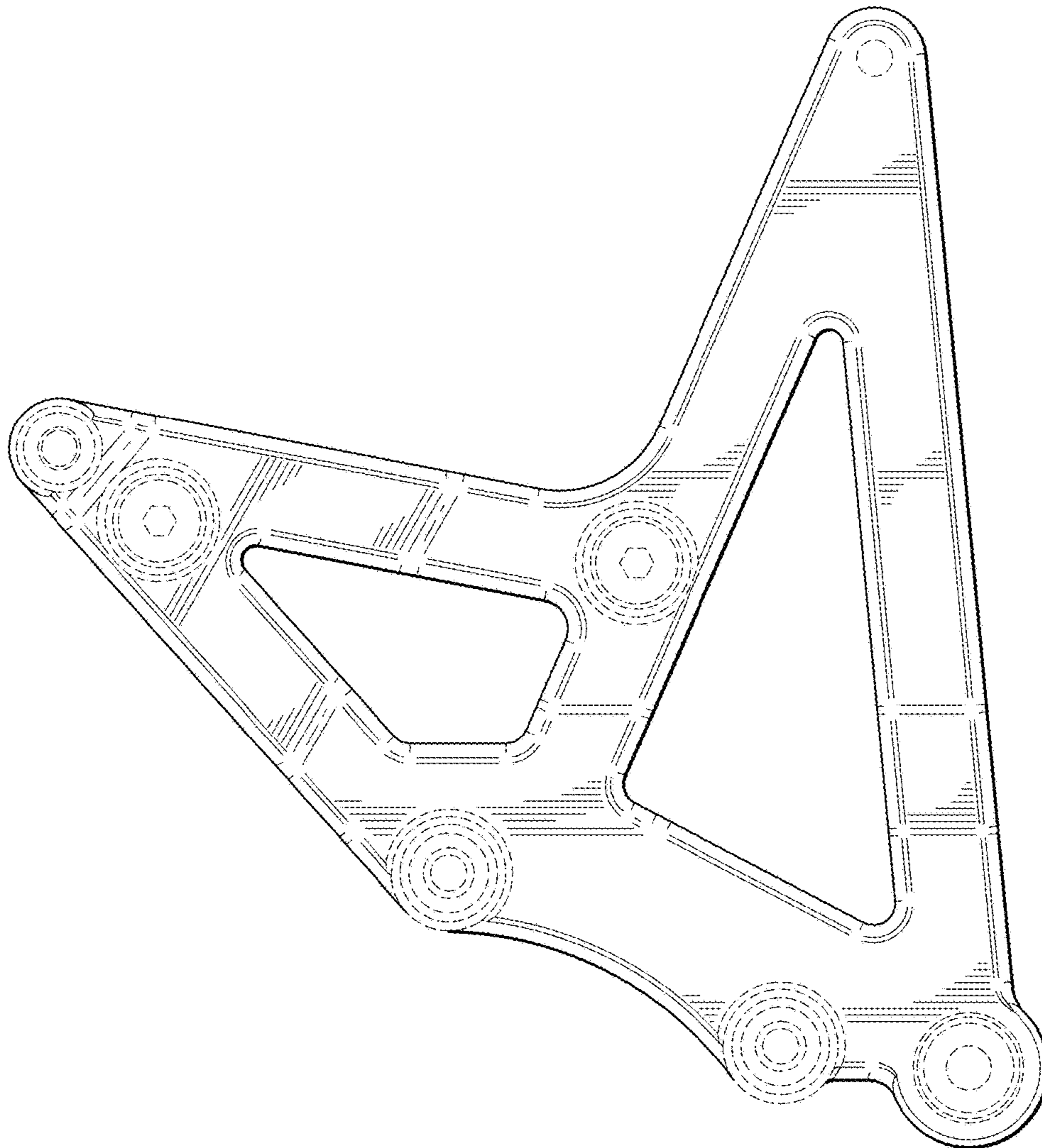


FIG. 5

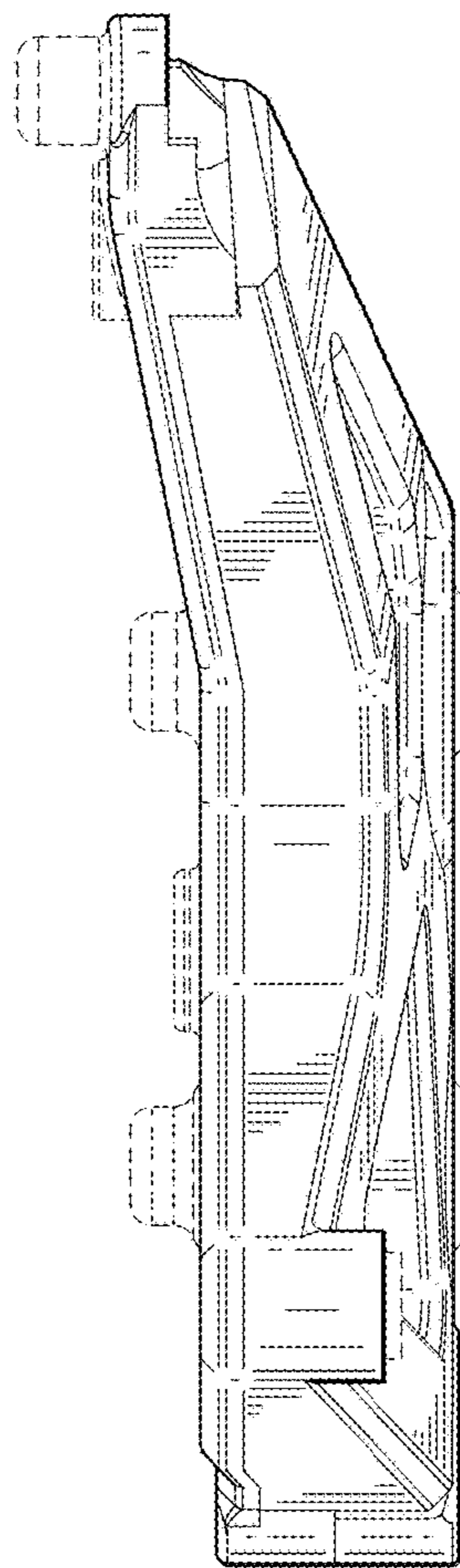


FIG. 6

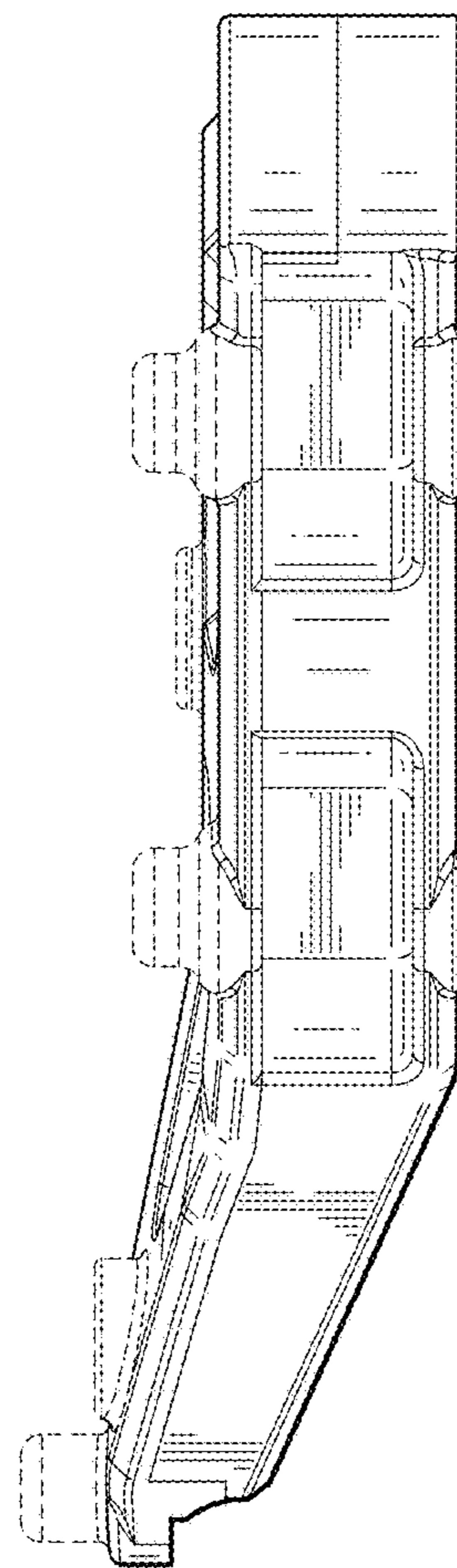


FIG. 7

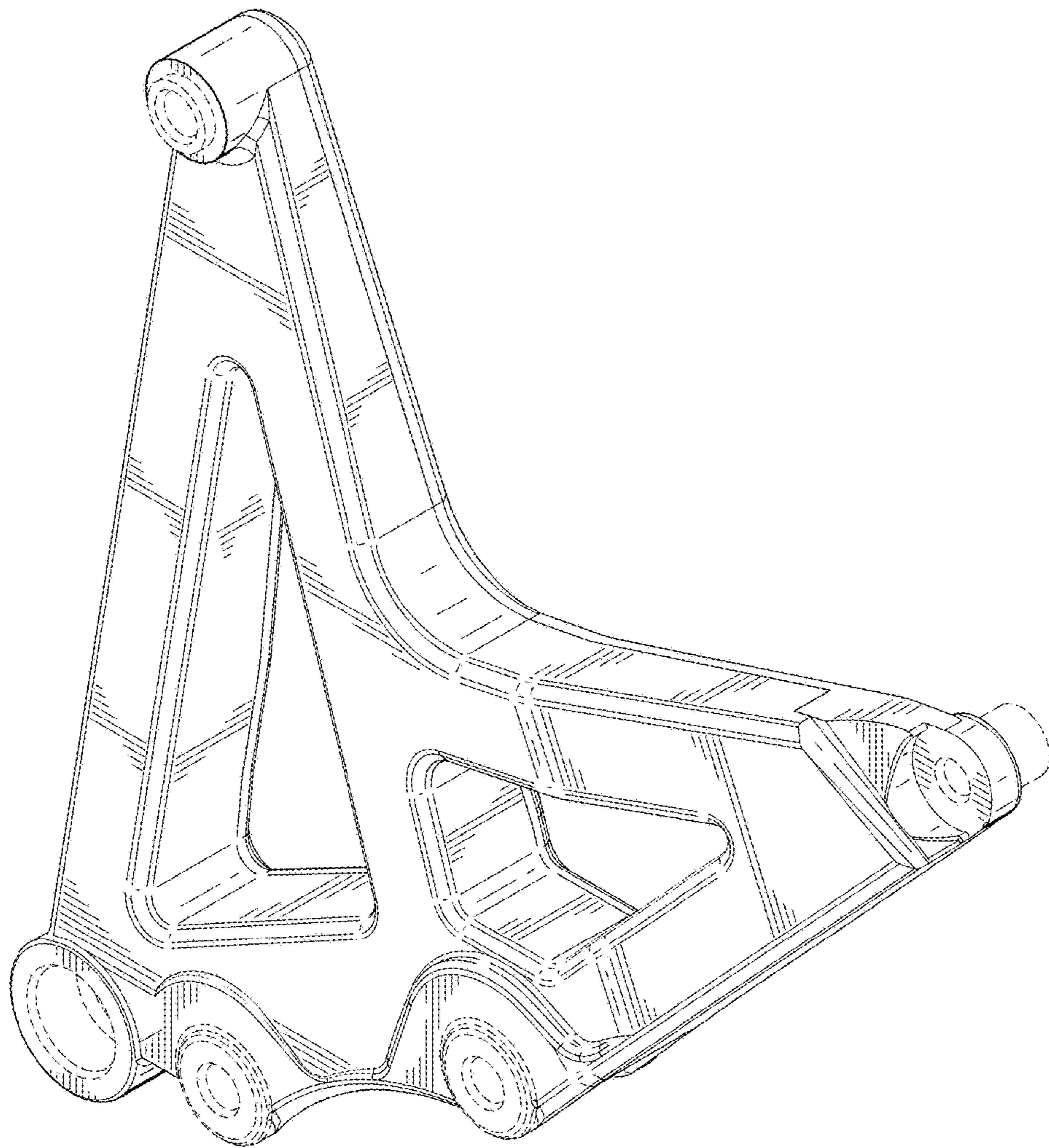
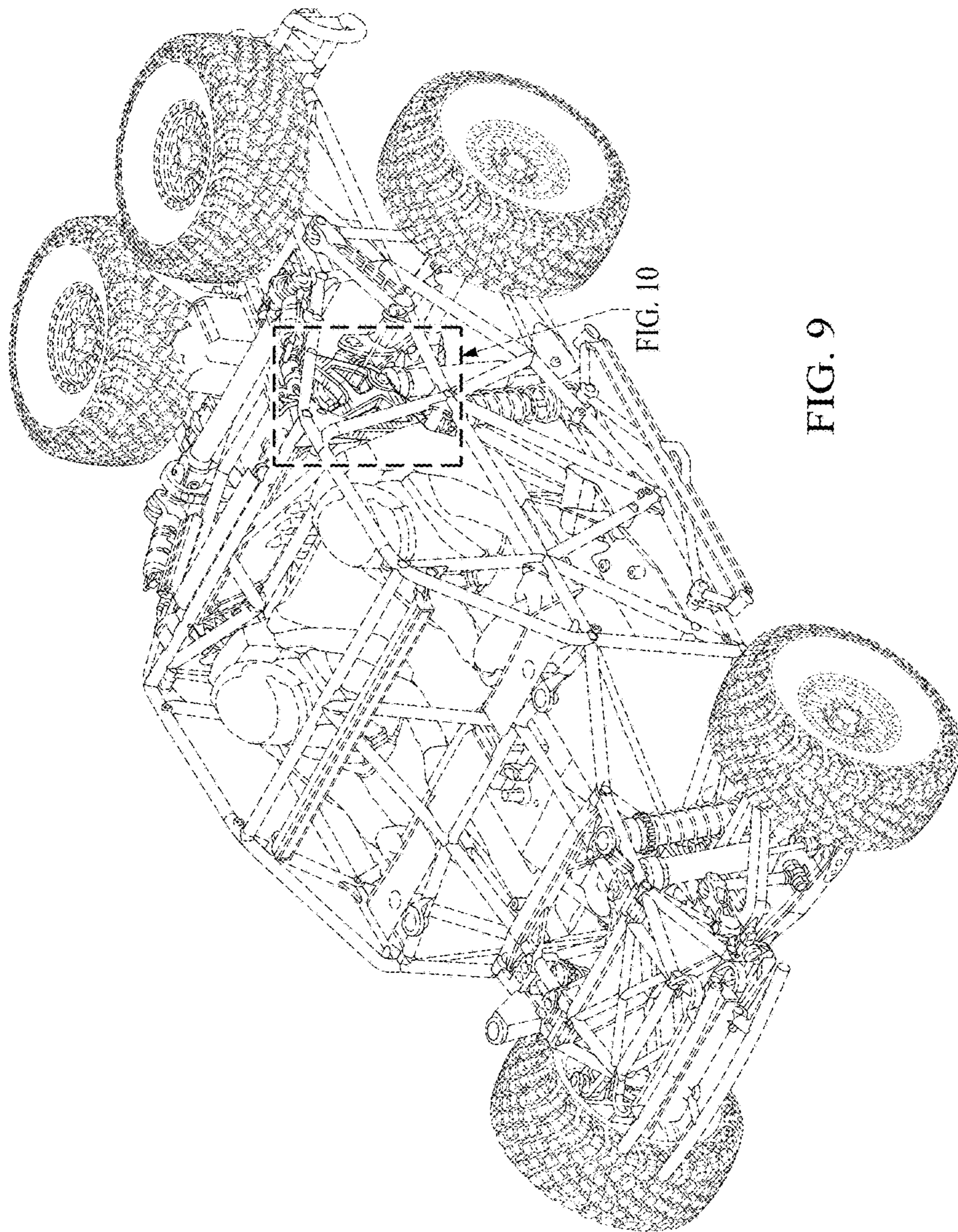


FIG. 8



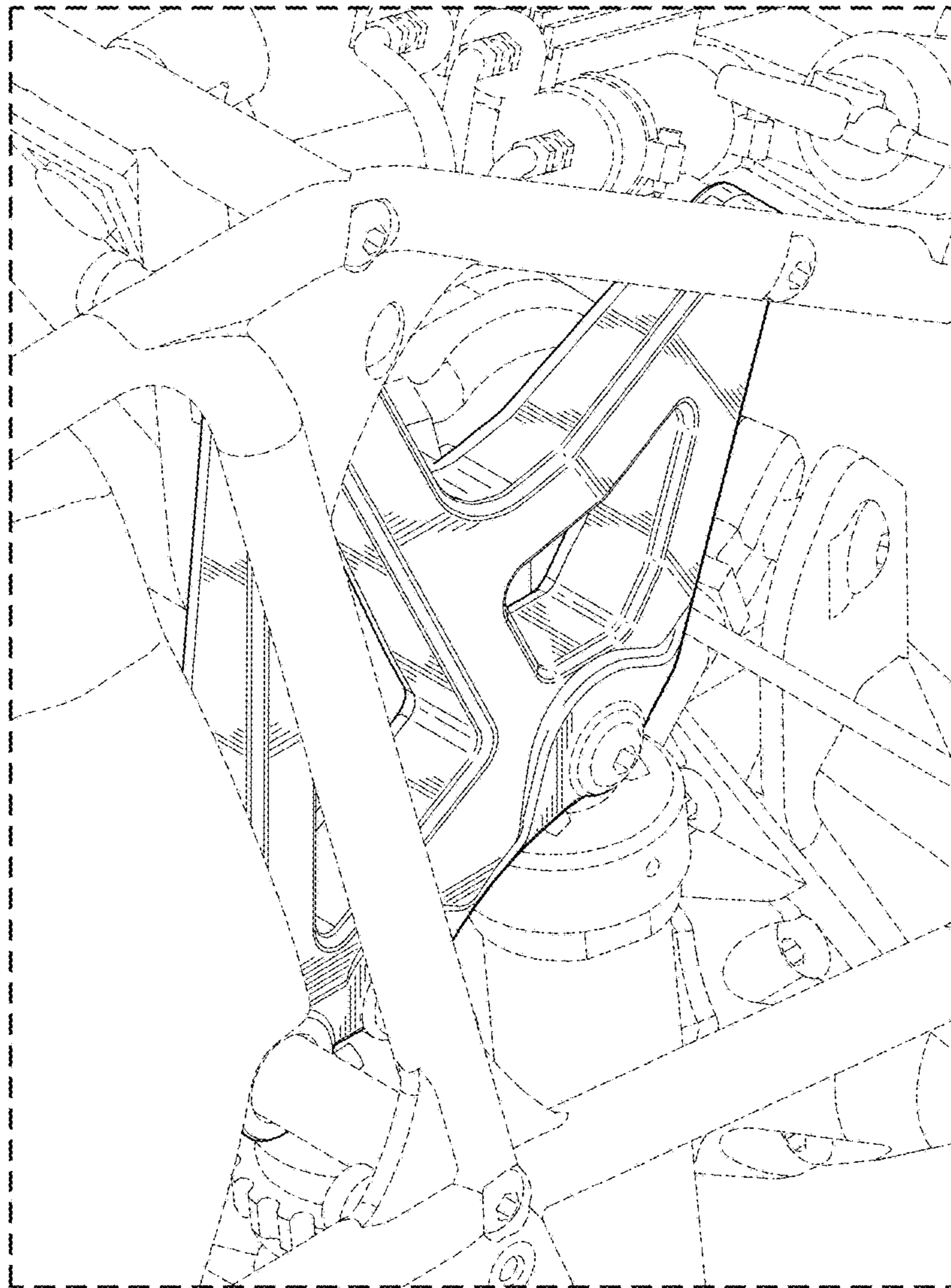


FIG. 10