



US00D865075S

(12) **United States Design Patent**
Mangnall-Schwarz

(10) **Patent No.:** **US D865,075 S**

(45) **Date of Patent:** **** Oct. 29, 2019**

- (54) **BOLT AND NUT STYLE TOY/ACTION FIGURE**
- (71) Applicant: **Christine Leigh Mangnall-Schwarz**,
Henderson, NV (US)
- (72) Inventor: **Christine Leigh Mangnall-Schwarz**,
Henderson, NV (US)
- (**) Term: **15 Years**
- (21) Appl. No.: **29/654,497**
- (22) Filed: **Jun. 25, 2018**
- (51) **LOC (12) Cl.** **21-01**
- (52) **U.S. Cl.**
USPC **D21/493**; D21/621
- (58) **Field of Classification Search**
USPC D21/484-505, 621, 623, 658, 661;
D8/387
CPC A63H 3/16; A63H 33/107; A63H 33/12
See application file for complete search history.

(56) **References Cited**

U.S. PATENT DOCUMENTS

- 2,106,148 A * 1/1938 Kellner A63H 3/16
446/97
- 2,609,638 A * 9/1952 Lindenmeyer A63H 33/107
446/126
- 2,752,726 A * 7/1956 Calverley A63H 3/16
446/99
- 3,789,562 A * 2/1974 De Chicchis A63H 33/107
52/655.2
- 3,946,517 A * 3/1976 Goldfarb A63H 3/16
446/383
- D260,103 S * 8/1981 Appel D11/157
- D269,882 S * 7/1983 Leverton D19/59
- D278,310 S * 4/1985 Allen D8/21
- 4,519,786 A * 5/1985 Larws A63H 33/04
446/376
- D285,226 S * 8/1986 Kassai D21/499

- 4,619,625 A * 10/1986 Seki A63H 17/002
446/197
- D324,553 S * 3/1992 Matie D21/627
- D354,665 S * 1/1995 Greenland D8/51
- 5,913,706 A * 6/1999 Glickman A63H 33/062
446/120
- D442,649 S * 5/2001 Galvan D21/621
- 6,575,810 B1 * 6/2003 Sohn A63H 3/006
273/237
- D532,682 S * 11/2006 Maciag D8/387
- D680,598 S * 4/2013 Geller D21/621
- D753,477 S * 4/2016 Jackson D8/387
- 9,539,520 B2 * 1/2017 Rotbard A63H 33/042
- D834,679 S * 11/2018 Garcia, Jr. D22/108
- 2008/0261484 A1 * 10/2008 Culpepper A63H 3/16
446/373
- 2014/0227936 A1 * 8/2014 Botterill A63H 33/04
446/99

(Continued)

Primary Examiner — Cynthia M. Chin

(74) *Attorney, Agent, or Firm* — Quickpatents, LLC;
Kevin Prince

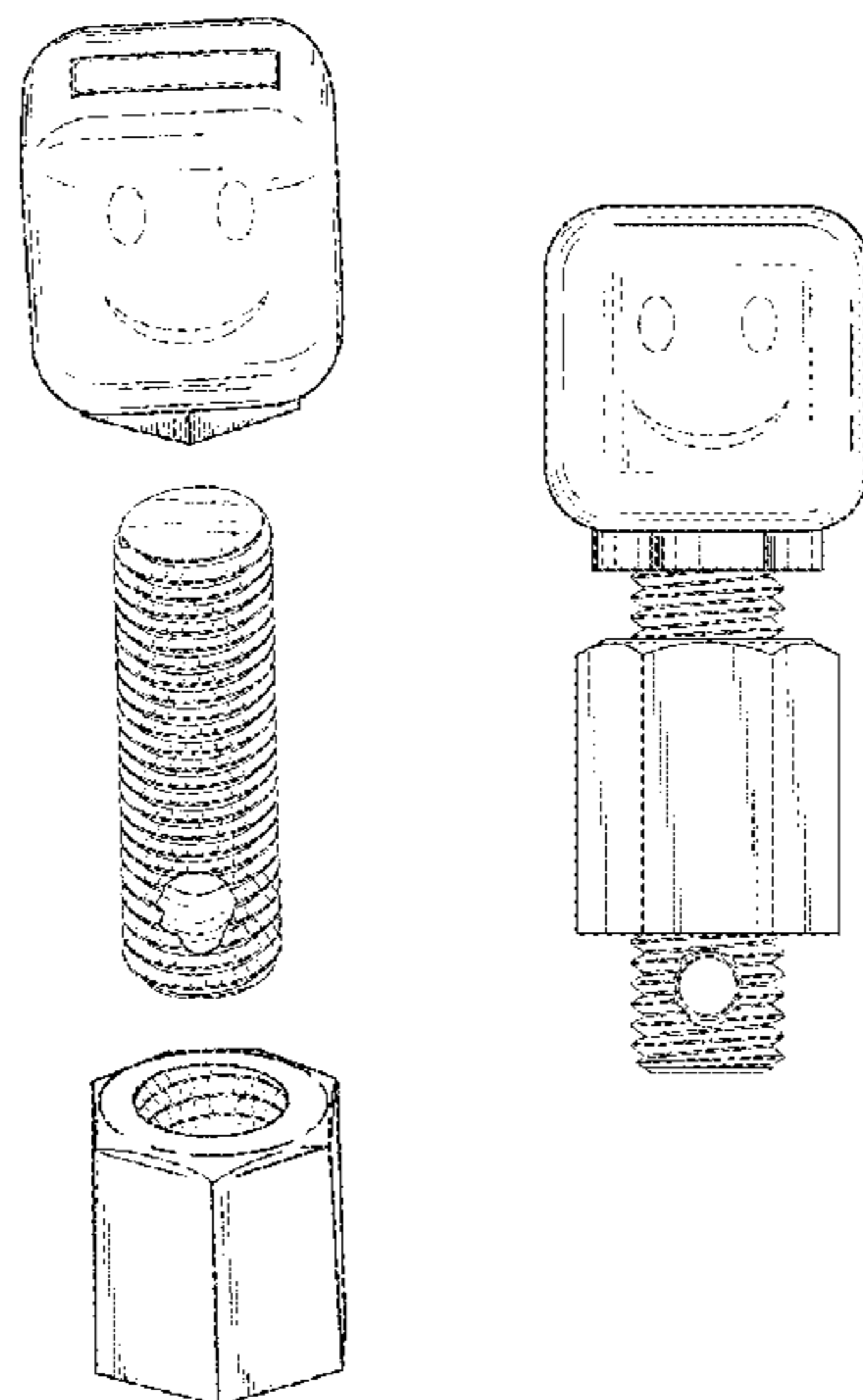
(57) **CLAIM**

I claim the ornamental design for a bolt and nut style toy/action figure, as shown and described.

DESCRIPTION

FIG. 1 is an exploded perspective view of a bolt and nut style toy/action figure, showing my new design;
 FIG. 2 is an exploded elevational view thereof;
 FIG. 3 is an exploded rear elevational view thereof;
 FIG. 4 is an exploded left-side elevational view thereof;
 FIG. 5 is an exploded right-side elevational view thereof;
 FIG. 6 is an exploded top plan view thereof;
 FIG. 7 is an exploded bottom plan view thereof; and,
 FIG. 8 is a front elevational view thereof.
 The broken lines depict portions of the bolt and nut style toy/action figure that form no part of the claimed design.

1 Claim, 4 Drawing Sheets



(56)

References Cited

U.S. PATENT DOCUMENTS

2015/0196847 A1* 7/2015 Diaz A63H 3/16
446/97

* cited by examiner

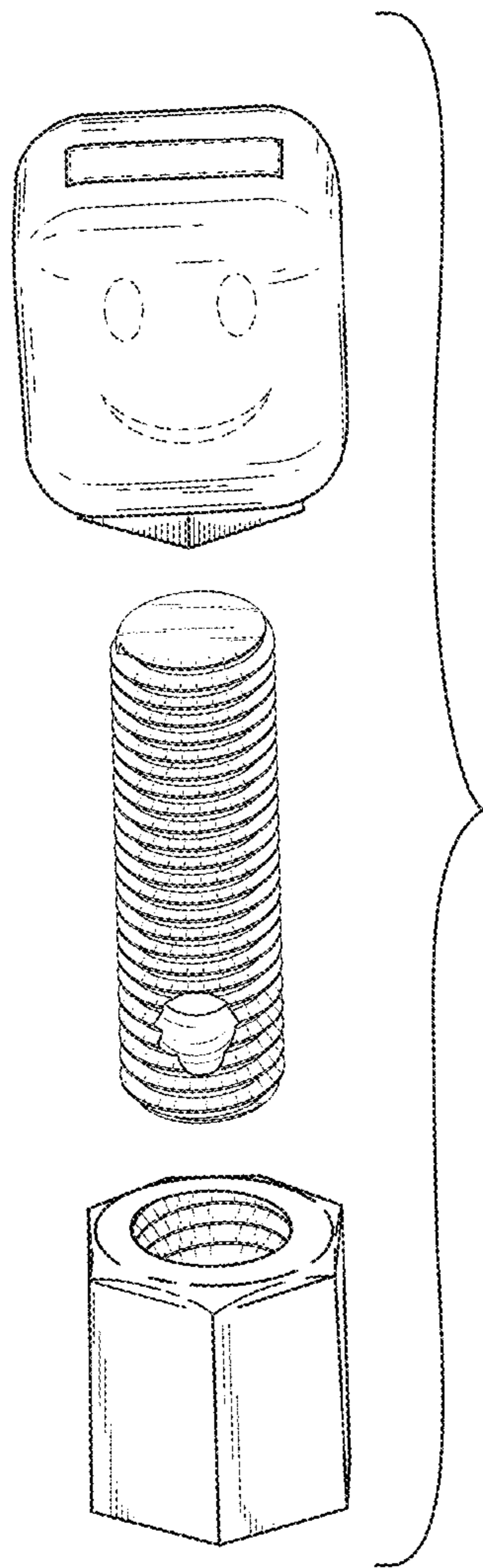


FIG. 1

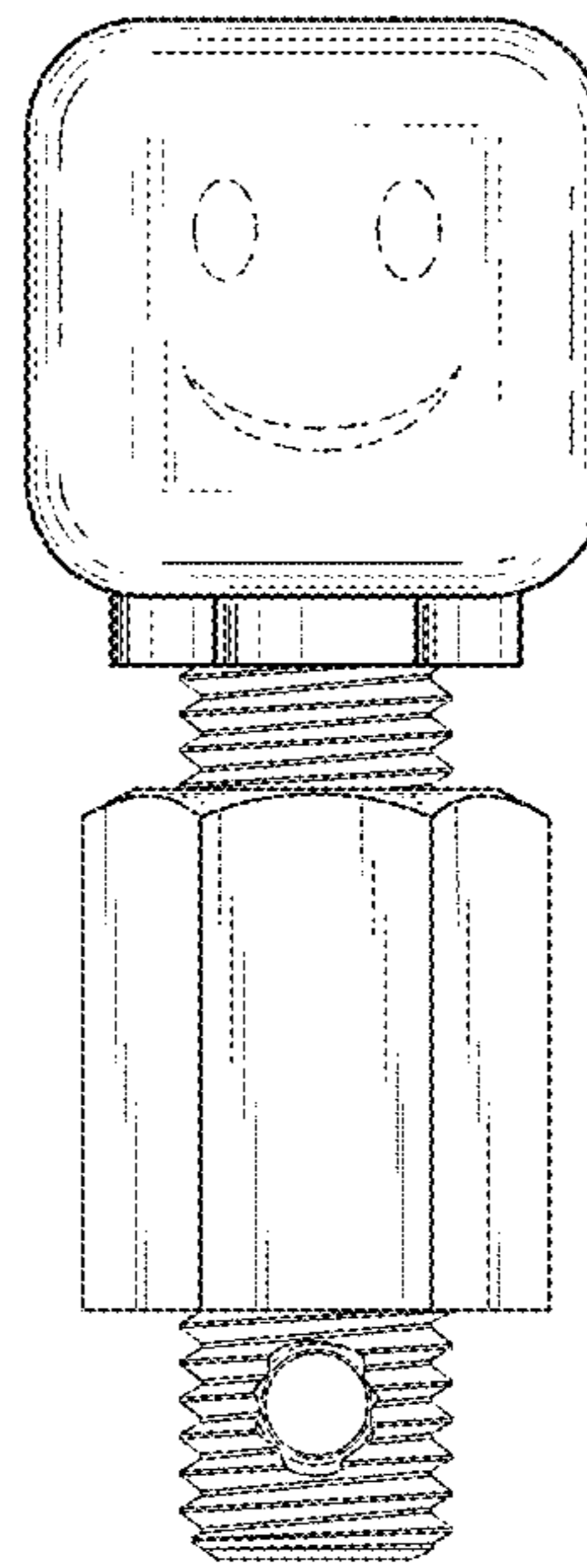
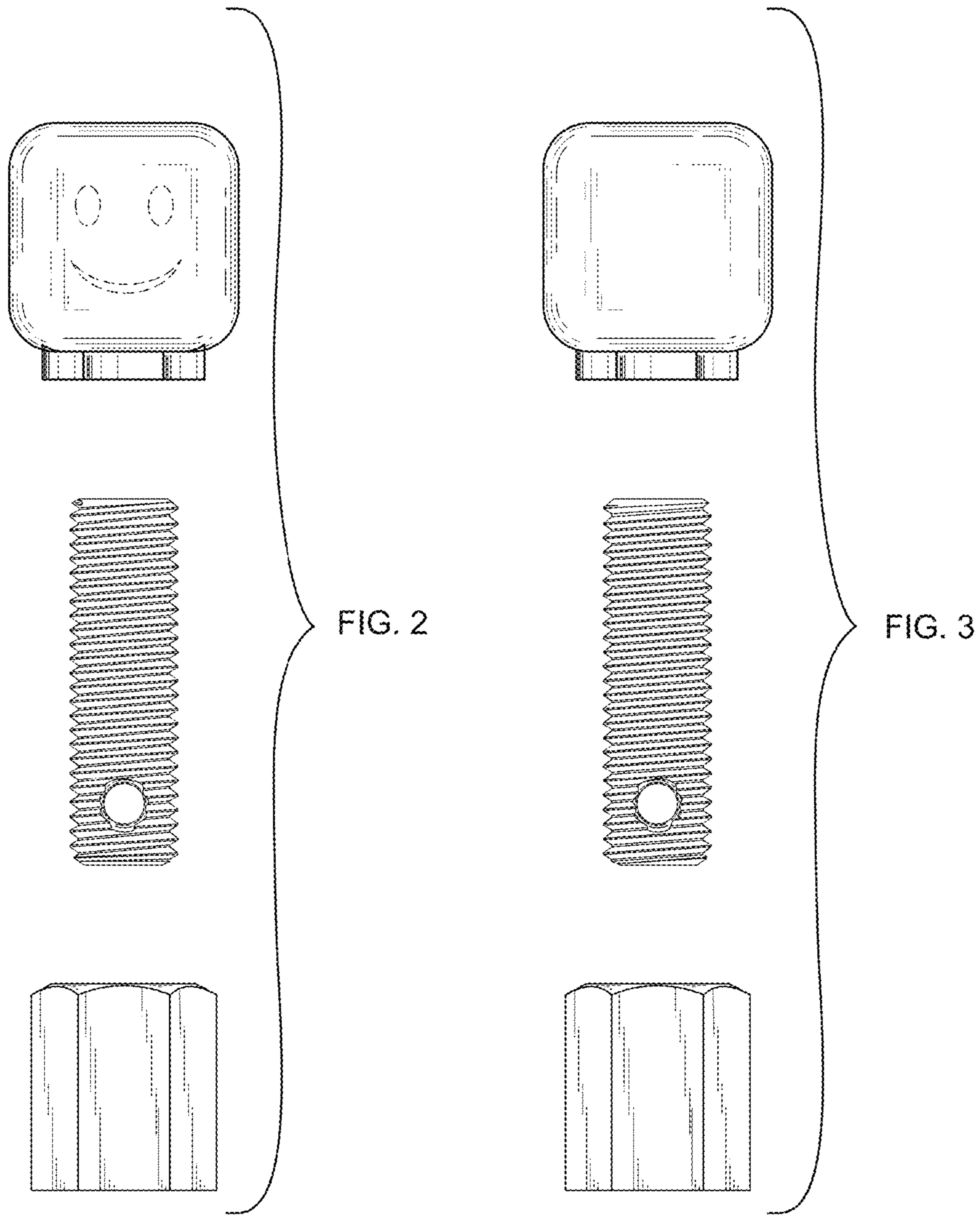


FIG. 8



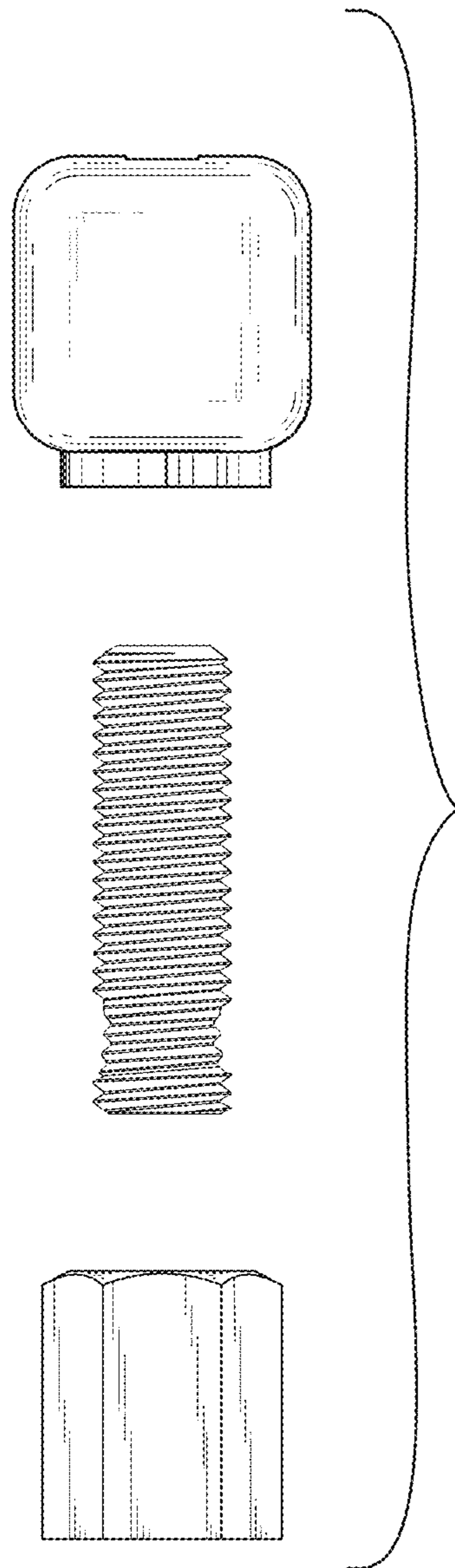


FIG. 4

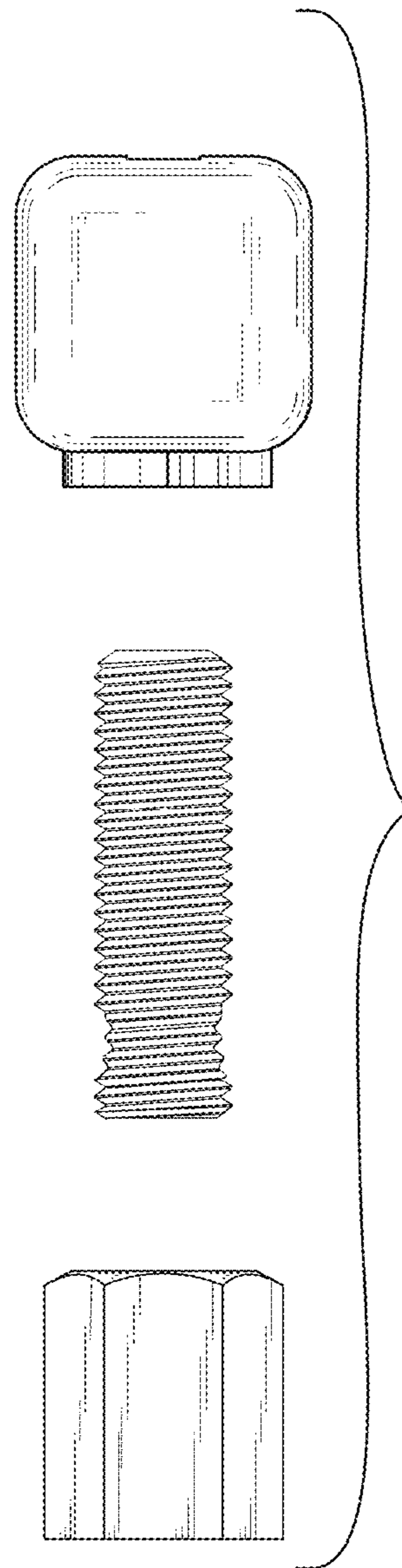


FIG. 5

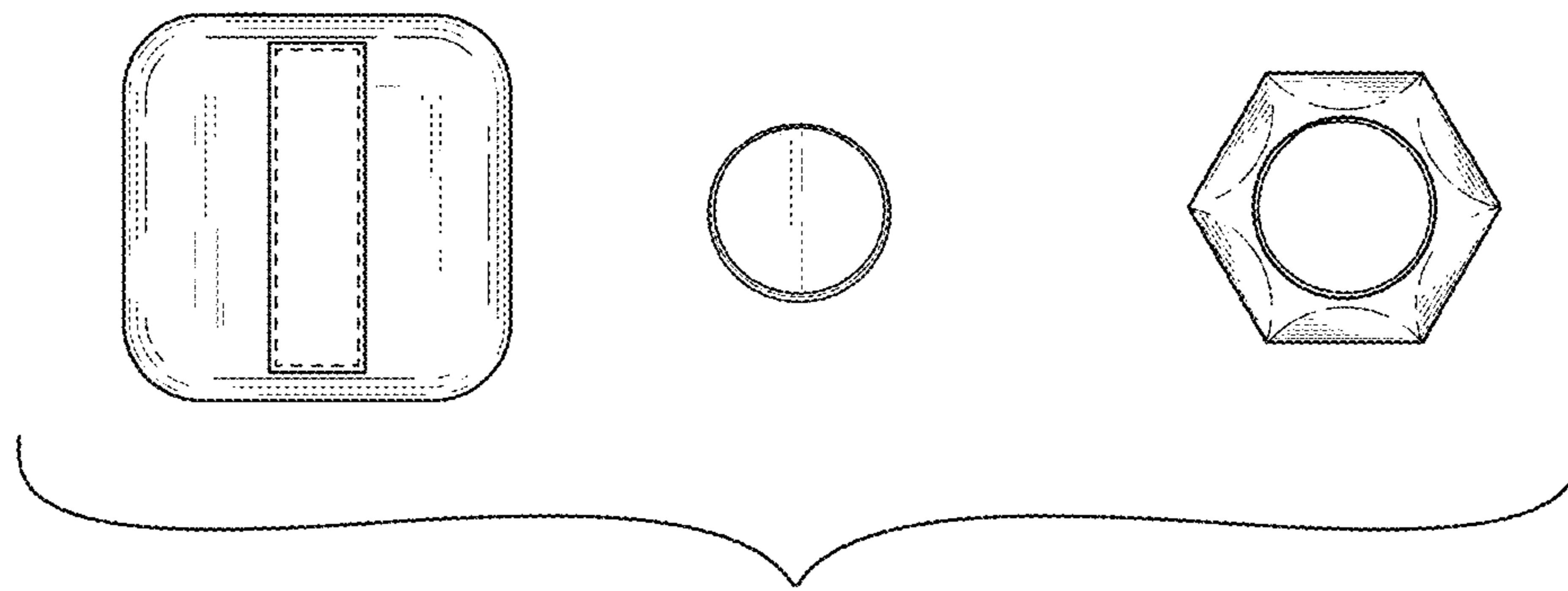


FIG. 6

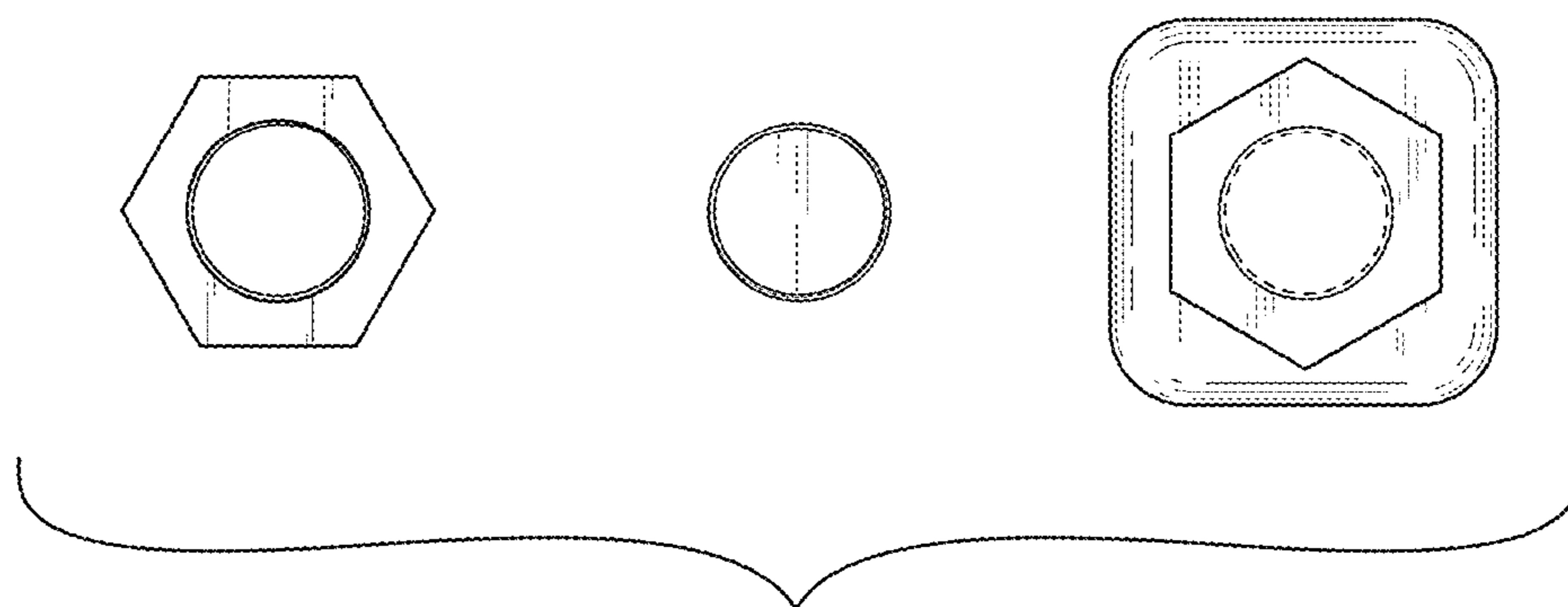


FIG. 7