



US00D865073S

(12) **United States Design Patent** (10) **Patent No.:** **US D865,073 S**
Weisman et al. (45) **Date of Patent:** **** Oct. 29, 2019**

(54) **IMMERSIBLE ELEPHANT WATER PUMP**

(71) Applicant: **Global Marketing Enterprise (GME) Ltd., Tel Aviv (IL)**

(72) Inventors: **Zafrira Weisman, Tel Aviv (IL); Israel Zanger, Tel Aviv (IL)**

(**) Term: **15 Years**

(21) Appl. No.: **29/646,622**

(22) Filed: **May 6, 2018**

(30) **Foreign Application Priority Data**

Jan. 2, 2018 (IL) 61459

(51) **LOC (12) Cl.** **21-01**

(52) **U.S. Cl.**
USPC **D21/473; D21/616; D23/222**

(58) **Field of Classification Search**
USPC D21/304, 401, 406, 407, 411, 473-476, D21/483, 493, 507, 576, 585, 586, 616, D21/801, 808, 814, 816, 820, 827, 832; D23/212, 231, 215, 222, 228, 239, 251, D23/256; D7/301-303, 595, 599; D9/610, 441, 451; D11/158; 446/72-74, 446/153, 156, 158, 159, 176, 180, 183, 446/185, 197, 198, 227, 267, 268, 320, 446/323, 327, 330, 424, 475, 483; 239/211

CPC A63H 3/003; A63H 3/005; A63H 3/26; A63H 13/02; A63H 23/00; A63H 23/005; A63H 23/10; A63H 23/16; A63H 29/14; A63H 33/3022; A63H 33/3038

See application file for complete search history.

(56) **References Cited**

U.S. PATENT DOCUMENTS

D60,573 S * 3/1922 Roth D23/215
D83,435 S * 2/1931 Gaba D11/158

1,893,972 A * 1/1933 Whitman B67D 7/84 222/36
D97,824 S * 12/1935 Ross D9/610
D163,527 S * 6/1951 Lewandowski D23/215
D216,883 S * 3/1970 Katzmann D23/215
D231,938 S * 6/1974 Smith et al. D21/616
D284,656 S * 7/1986 Lee D11/134
D298,161 S * 10/1988 Garcia D21/616
D314,019 S * 1/1991 Young D21/415
D314,035 S * 1/1991 Young D21/816
D323,205 S * 1/1992 Klose D23/222
D326,312 S * 5/1992 Frankel D23/256
D326,313 S * 5/1992 Frankel D23/256
D338,589 S * 8/1993 Ancona D7/301
5,385,472 A * 1/1995 Mullin G09B 23/12 434/126

(Continued)

FOREIGN PATENT DOCUMENTS

CN 301433607 * 1/2011
CN 304483414 * 1/2018

(Continued)

Primary Examiner — Catherine A Tuttle

(74) *Attorney, Agent, or Firm* — Haim M. Factor

(57) **CLAIM**

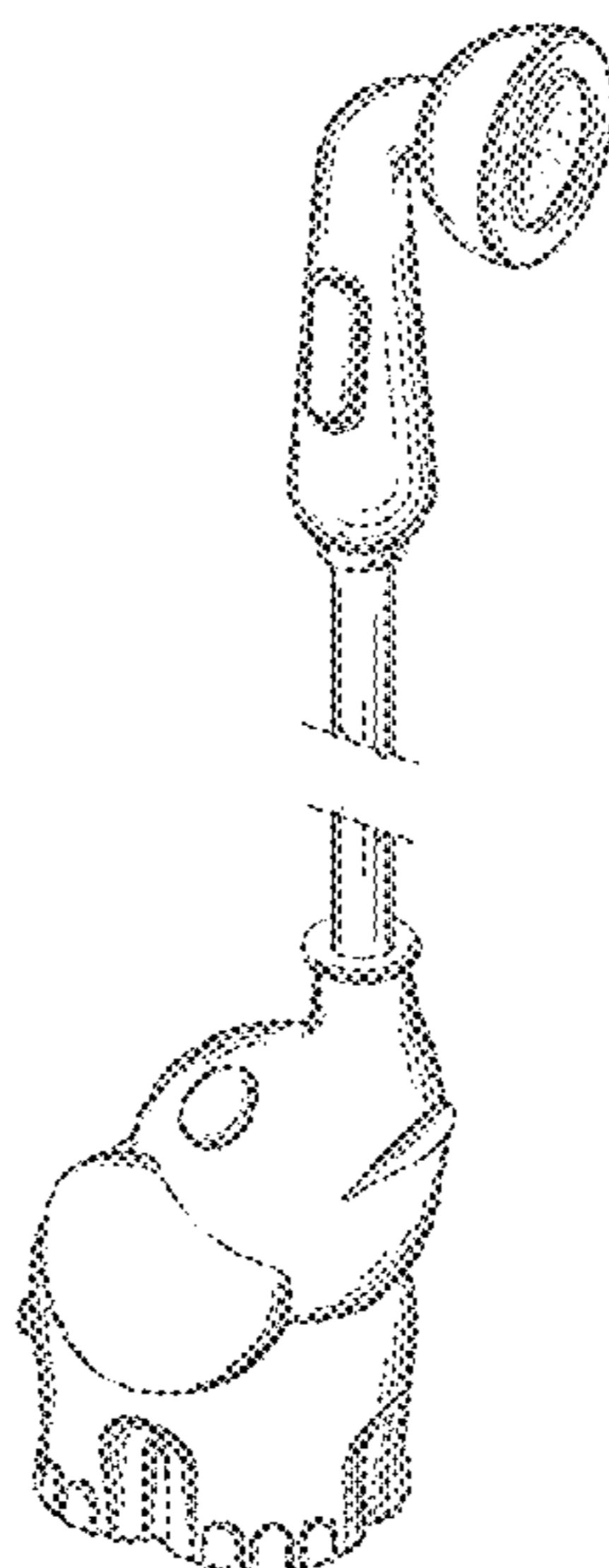
The ornamental design for an immersible elephant water pump, as shown and described.

DESCRIPTION

FIG. 1 is a frontal perspective view of the new design;
FIG. 2 is a right view thereof;
FIG. 3 is a left view thereof;
FIG. 4 is a front view thereof;
FIG. 5 is a back view thereof;
FIG. 6 is a top view thereof; and,
FIG. 7 is a bottom view thereof.

The appearance of any portion of the article between the symbolic break lines forms no part of the claimed design.

1 Claim, 7 Drawing Sheets



(56)

References Cited

U.S. PATENT DOCUMENTS

6,520,639 B2 * 2/2003 Avner A61B 1/227
351/205
D625,781 S * 10/2010 Ruckelshausen D23/256
8,100,343 B2 * 1/2012 Michelsen B05B 17/085
239/16
D796,587 S * 9/2017 Weisman D21/473

FOREIGN PATENT DOCUMENTS

EM 004750974-0006 * 3/2018
GB 2031866 * 10/1993
KR 300924001.0000 * 9/2017
WO WO-2016038619 A2 * 3/2016 A63H 23/14

* cited by examiner

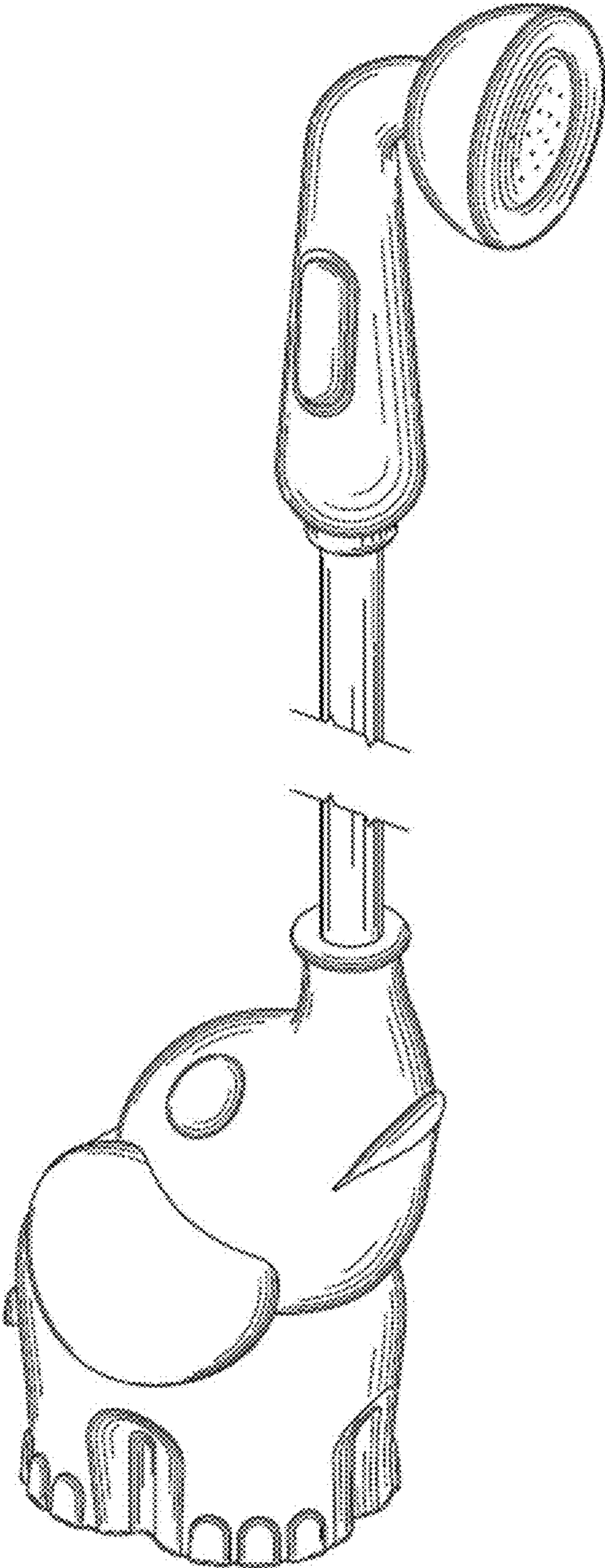


FIG 1

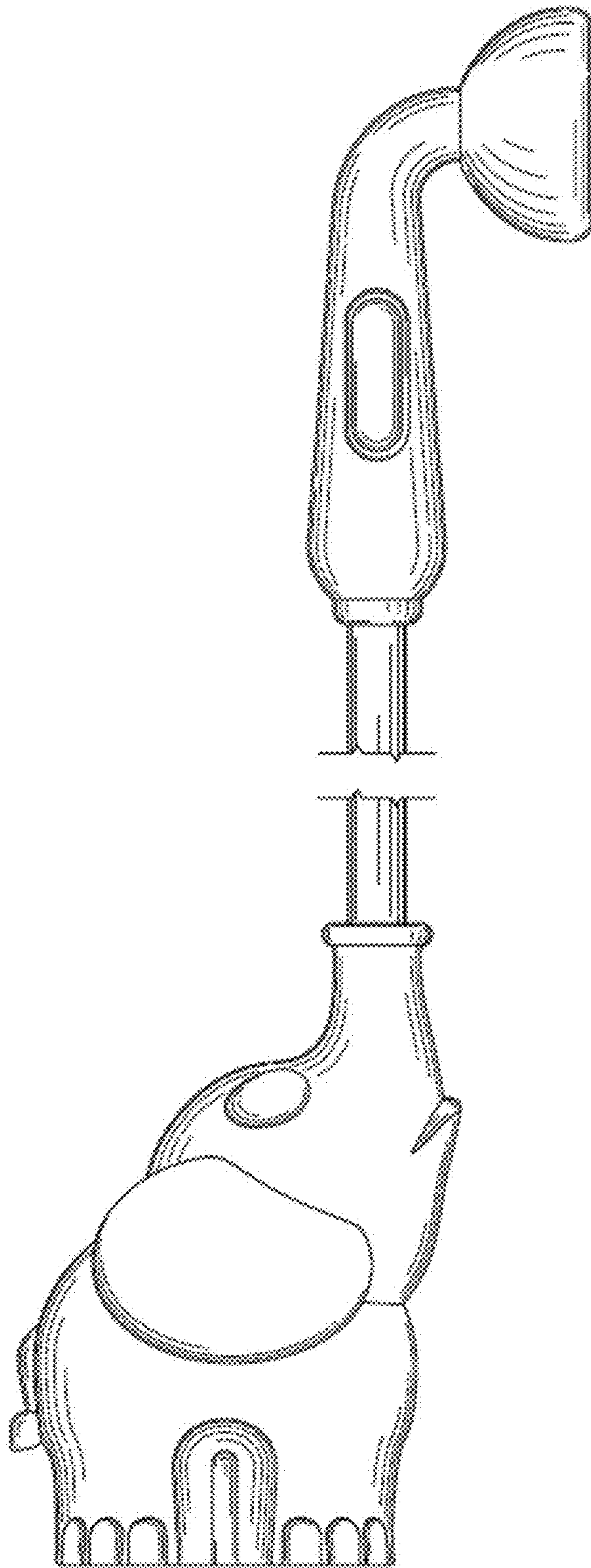


FIG 2

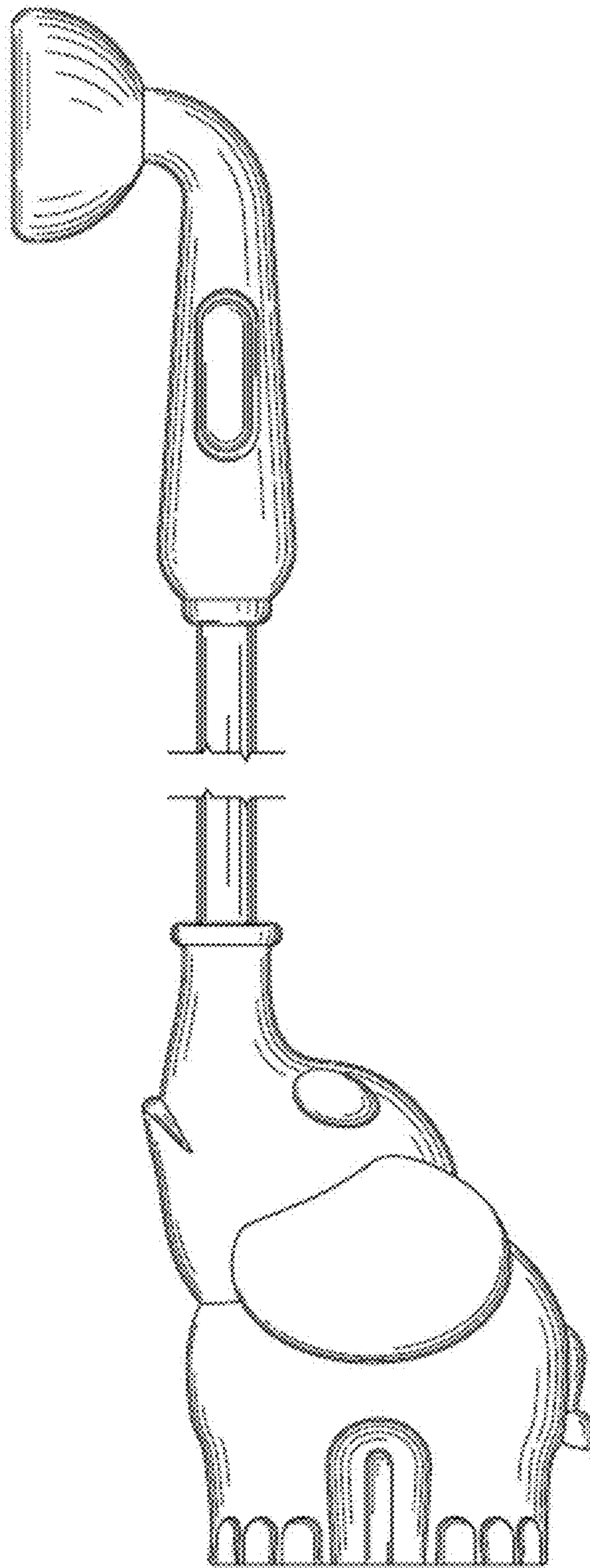


FIG 3

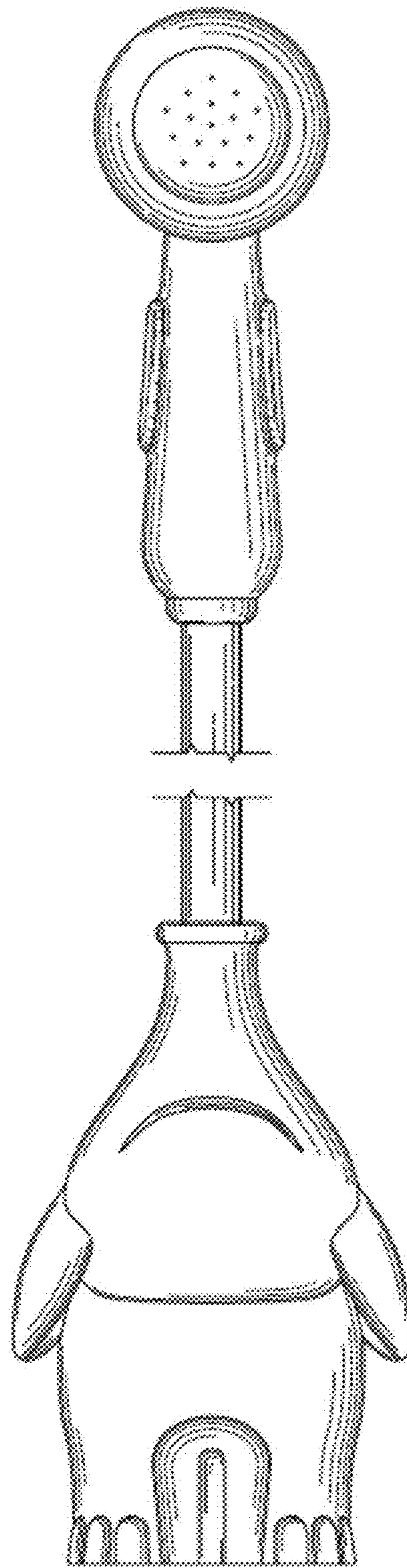


FIG 4

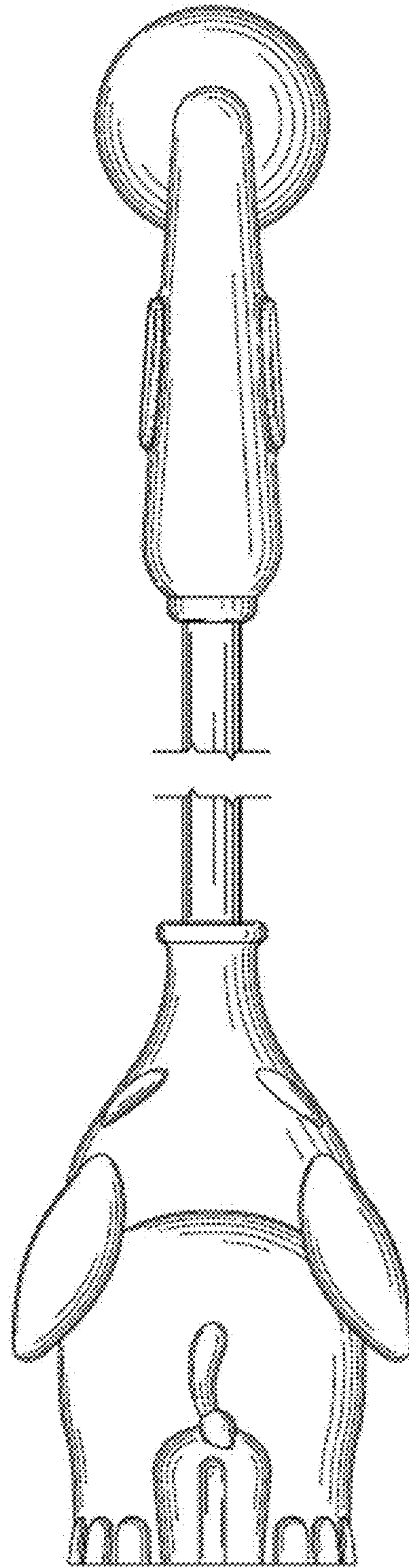


FIG 5

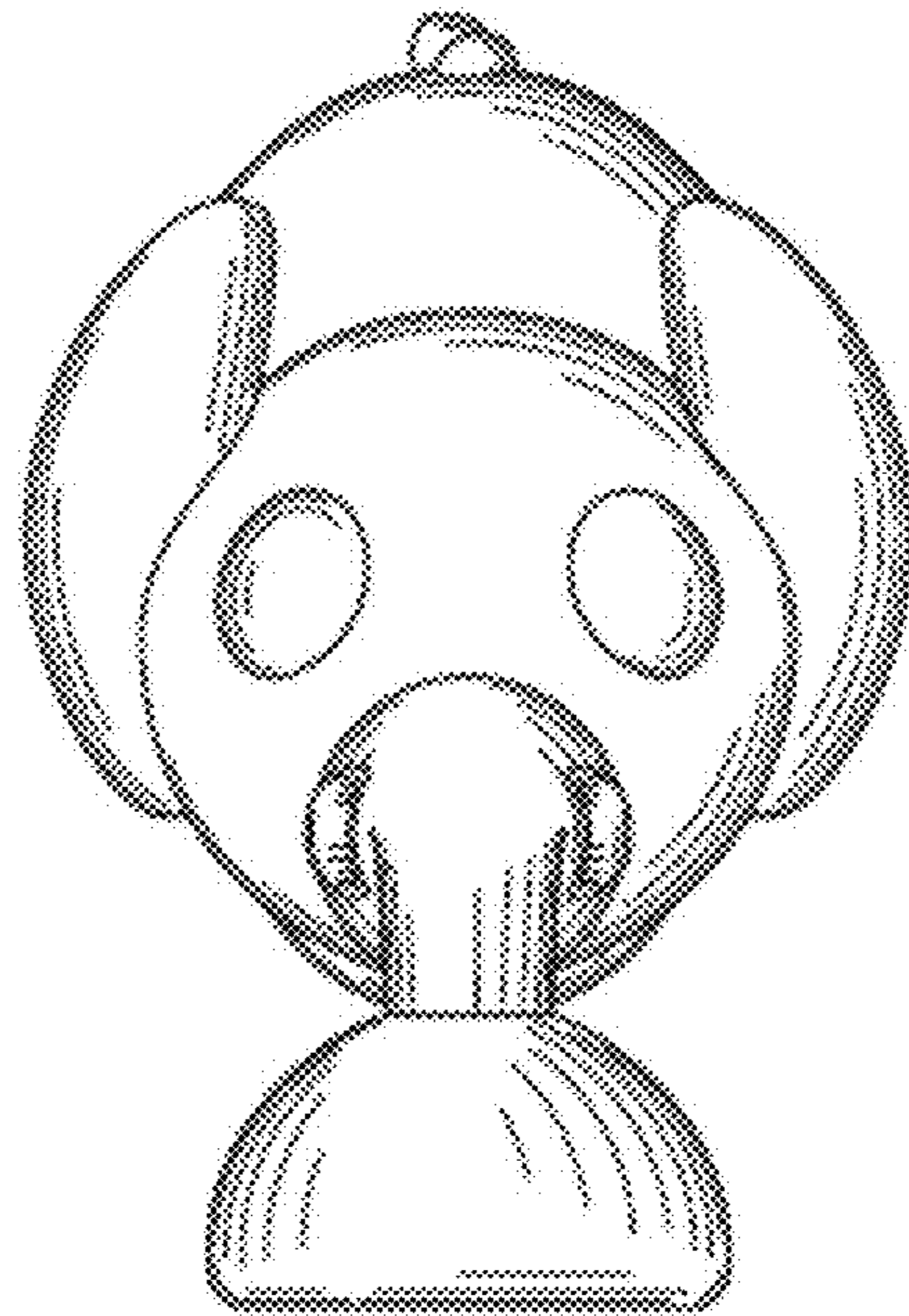


FIG 6

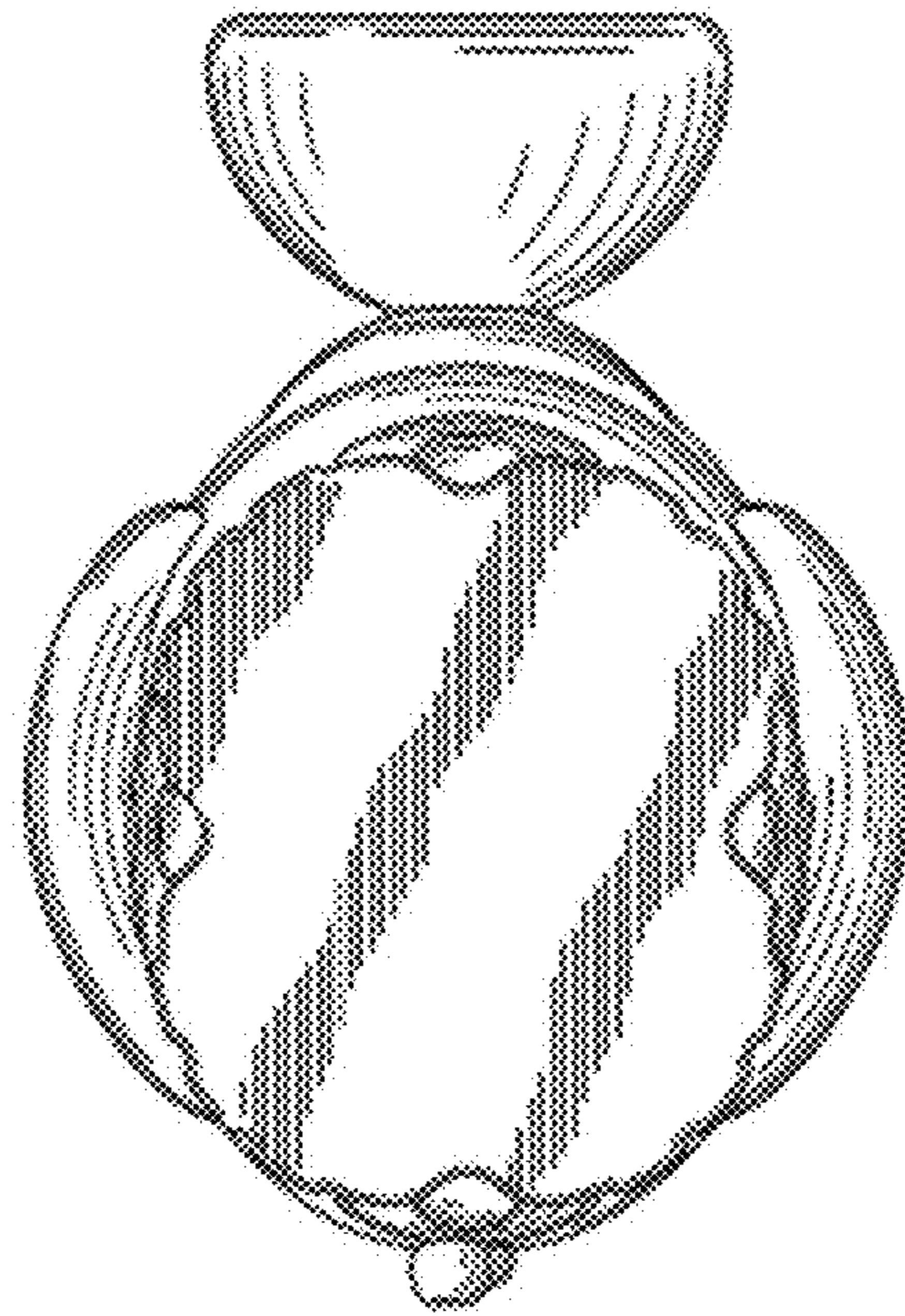


FIG 7