



US00D865071S

(12) **United States Design Patent** (10) **Patent No.:** **US D865,071 S**  
**Moelmann** (45) **Date of Patent:** **\*\* Oct. 29, 2019**

(54) **ROTATING FIDGET DEVICE**

(56) **References Cited**

(71) Applicant: **Connor Moelmann**, Glen Ellyn, IL (US)

U.S. PATENT DOCUMENTS

(72) Inventor: **Connor Moelmann**, Glen Ellyn, IL (US)

D192,929	S	*	5/1962	Head	280/821
D214,746	S	*	7/1969	Montgomery	D21/461
D247,754	S	*	4/1978	Talesfore	D14/412
D250,213	S	*	11/1978	Takagi	D28/50
D351,549	S	*	10/1994	Lee	D8/107
D406,394	S	*	3/1999	Mulaisho	D28/56
D411,260	S	*	6/1999	Thomas	D21/455
D444,688	S	*	7/2001	Boehler	D8/61
D473,348	S	*	4/2003	Lang	D1/199
D517,392	S	*	3/2006	Lin	D8/107
D742,021	S	*	10/2015	Labuschagne	D24/200
9,950,556	B1	*	4/2018	Laemle	B43K 29/00
D818,054	S	*	5/2018	McLachlan	D21/468
D819,143	S	*	5/2018	Lyon	D21/398
D841,104	S	*	2/2019	Tuma	D21/662
2018/0043729	A1	*	2/2018	Perez	B43K 29/00

(\*\*) Term: **15 Years**

(21) Appl. No.: **29/646,613**

(22) Filed: **May 5, 2018**

(51) **LOC (12) Cl.** ..... **21-01**

(52) **U.S. Cl.**  
USPC ..... **D21/468; D21/455**

(58) **Field of Classification Search**  
USPC ..... D21/333, 398, 400, 404, 405, 406, 407, D21/441, 453, 455-466, 468, 662, 684, D21/694, 756, 758, 759; D30/160; D8/61, 62, 80, 83, 94, 97, 98, 300, 301, D8/303, 305, 307, 310, 312, 313, DIG. 4, D8/DIG. 5, DIG. 6, DIG. 7, DIG. 8, 107; D7/393, 395; D24/133, 186, 188, 193, D24/195, 200, 211, 214, 215; D14/405, D14/412, 415, 416, 426, 428, 454; D28/24, 30, 34, 35, 37, 39, 44-54, D28/56-59; D19/123, 136, 158, 187, D19/189, 199, 203; 446/236-266, 487, 446/491; 601/40, 134, 135, 137; 482/44, 482/47, 49, 50  
CPC .. A63H 1/00-32; A63H 33/00; A63H 33/002; A63H 33/22; A63H 33/26; A63H 33/30; A63H 33/3072; A63H 33/42; B43K 31/00; B43K 29/00; B43K 29/004; B43K 29/18; A63B 23/16; A63B 21/00189; A63B 21/028; G09B 15/06; A61H 2205/065; A61H 2205/067; A61H 39/04; A61H 7/001

See application file for complete search history.

\* cited by examiner

*Primary Examiner* — Catherine A Tuttle

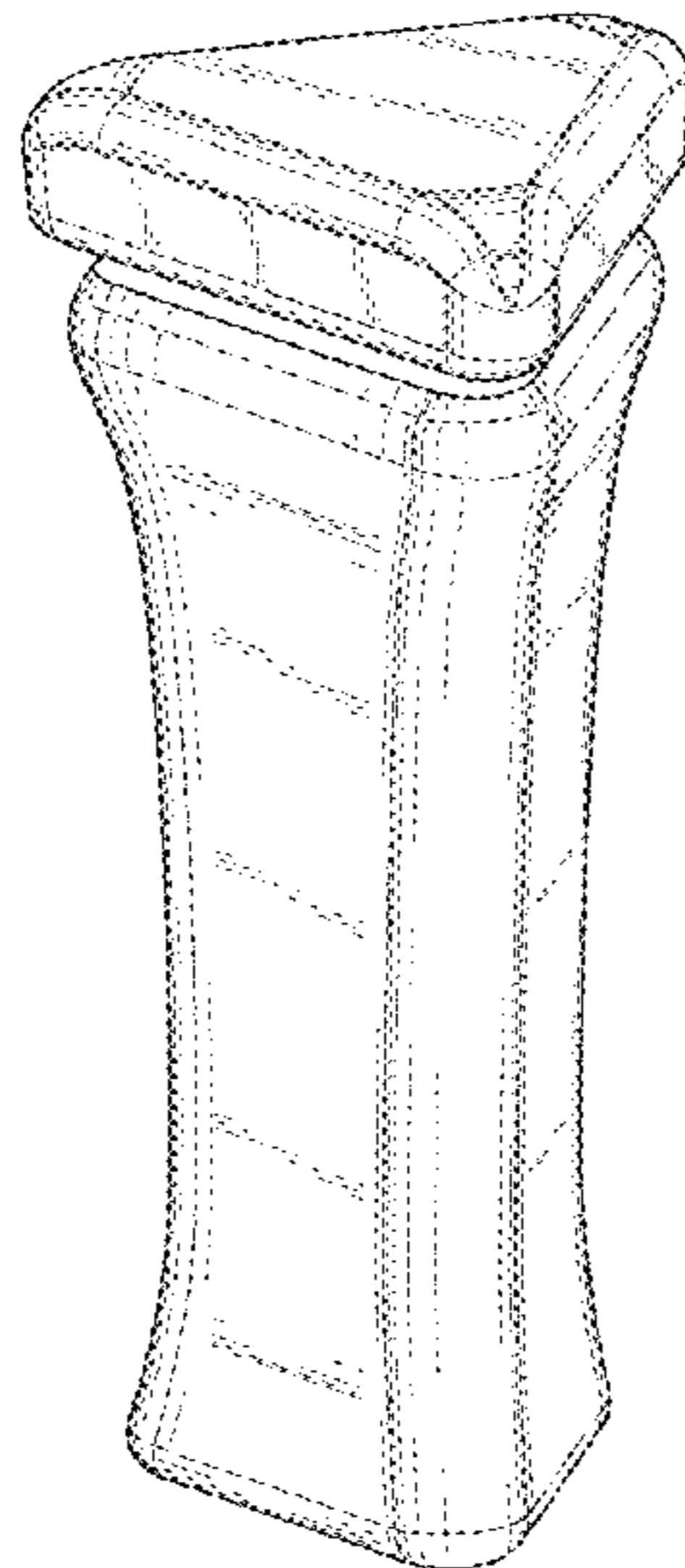
(57) **CLAIM**

The ornamental design for a rotating fidget device, as shown and described.

**DESCRIPTION**

FIG. 1 is a perspective view of the rotating fidget device embodying my new design  
FIG. 2. is a front view thereof;  
FIG. 3. is a rear view thereof;  
FIG. 4 is a right view thereof;  
FIG. 5 is a left view thereof; and,  
FIG. 6 is a top view thereof.  
My rotating fidget device is characterized by triangular prism body with a rotatable triangular prism attachment.

**1 Claim, 6 Drawing Sheets**



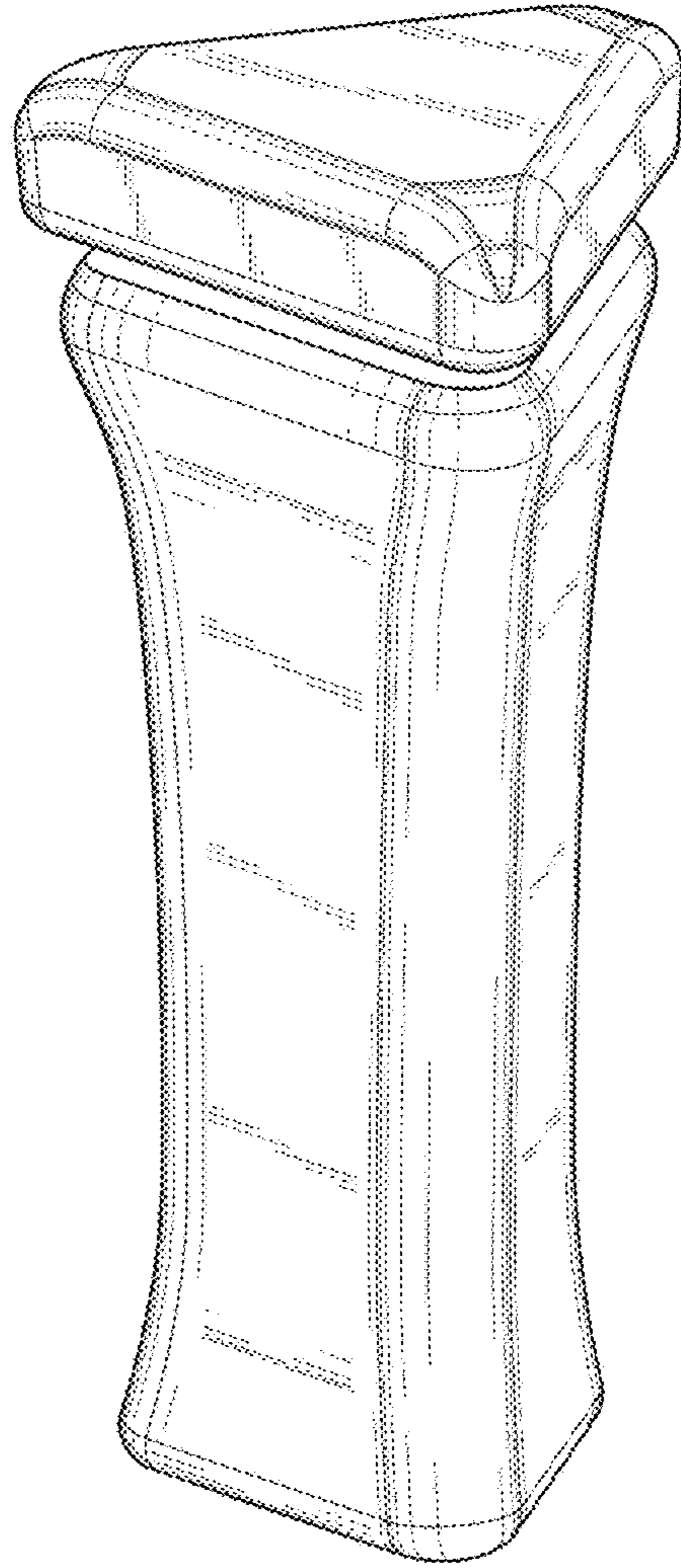


Fig. 1

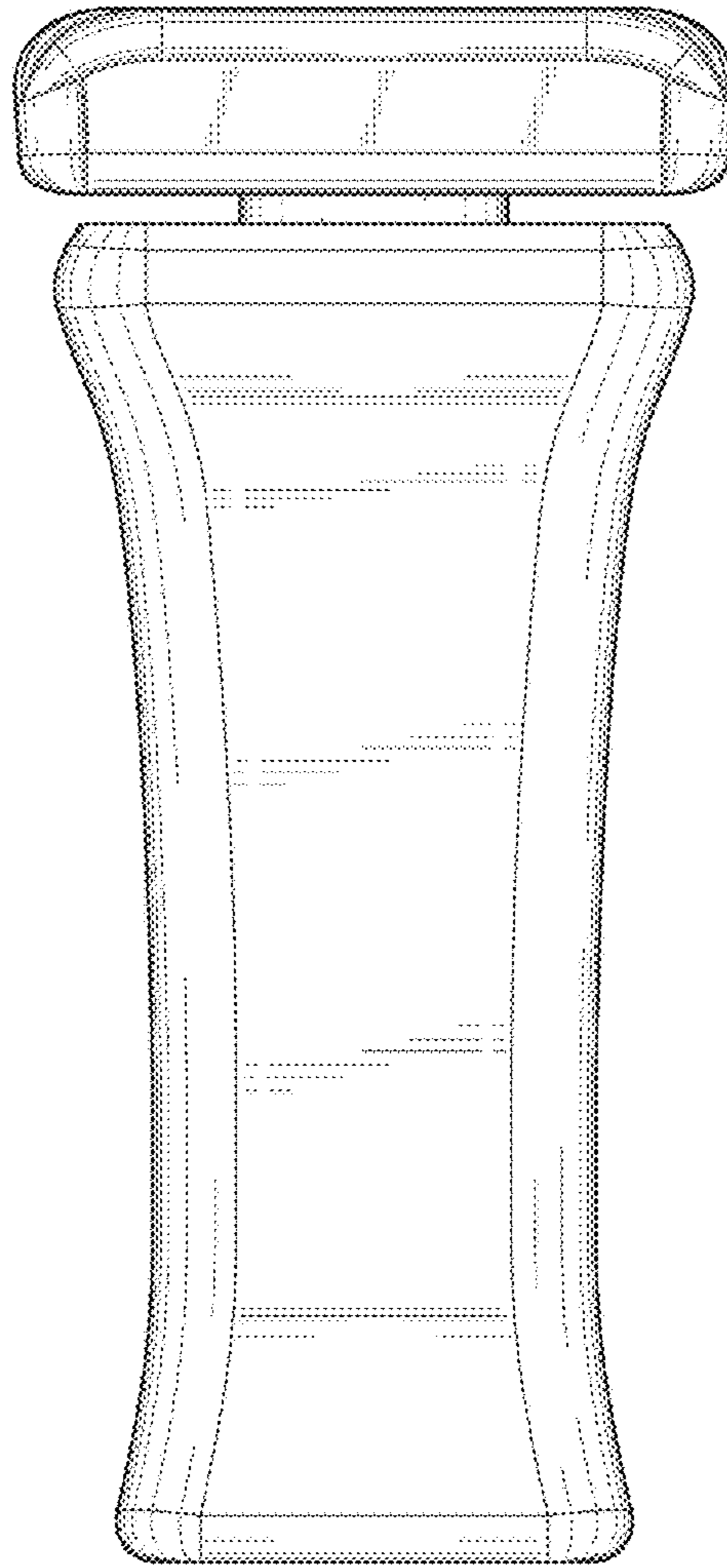


Fig. 2

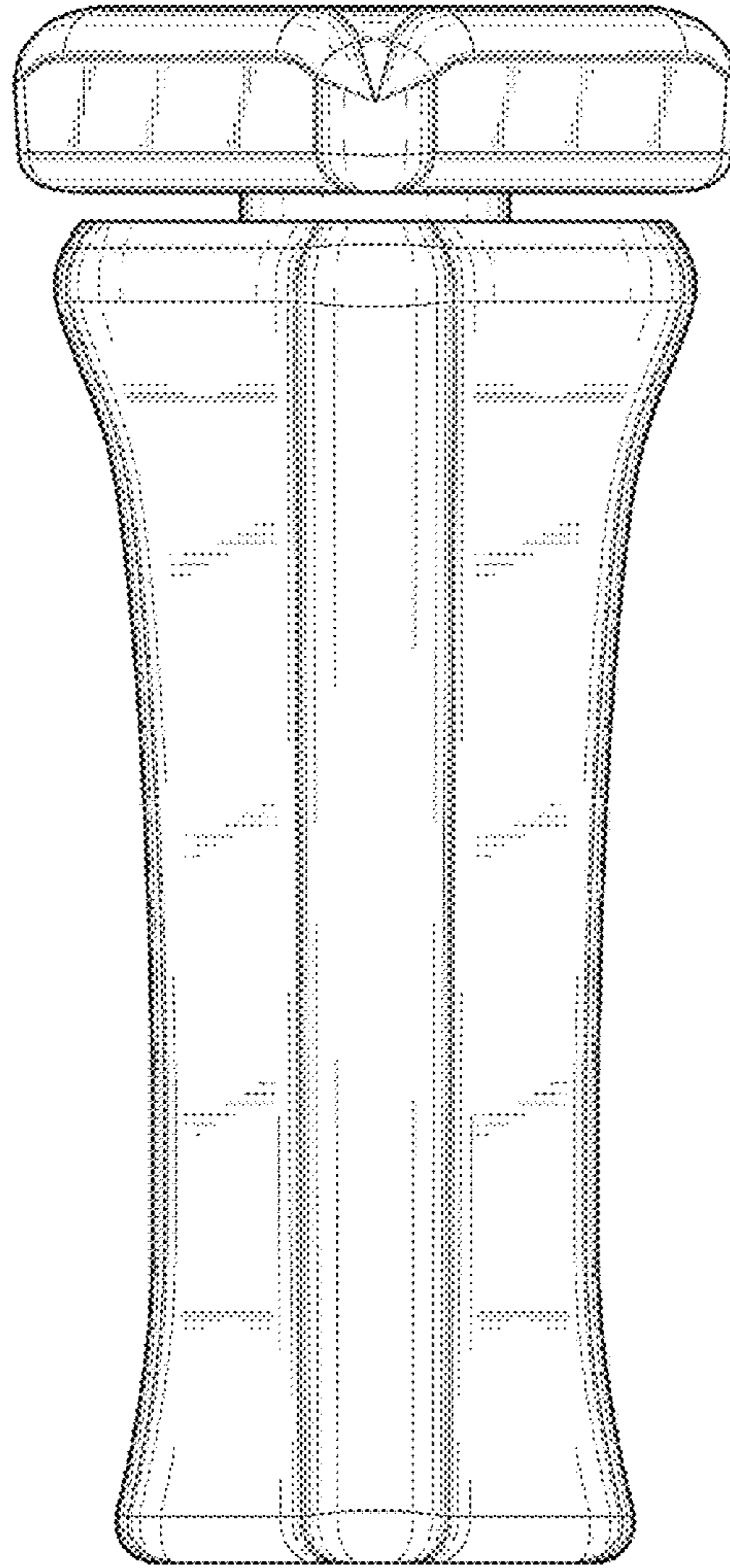


Fig. 3

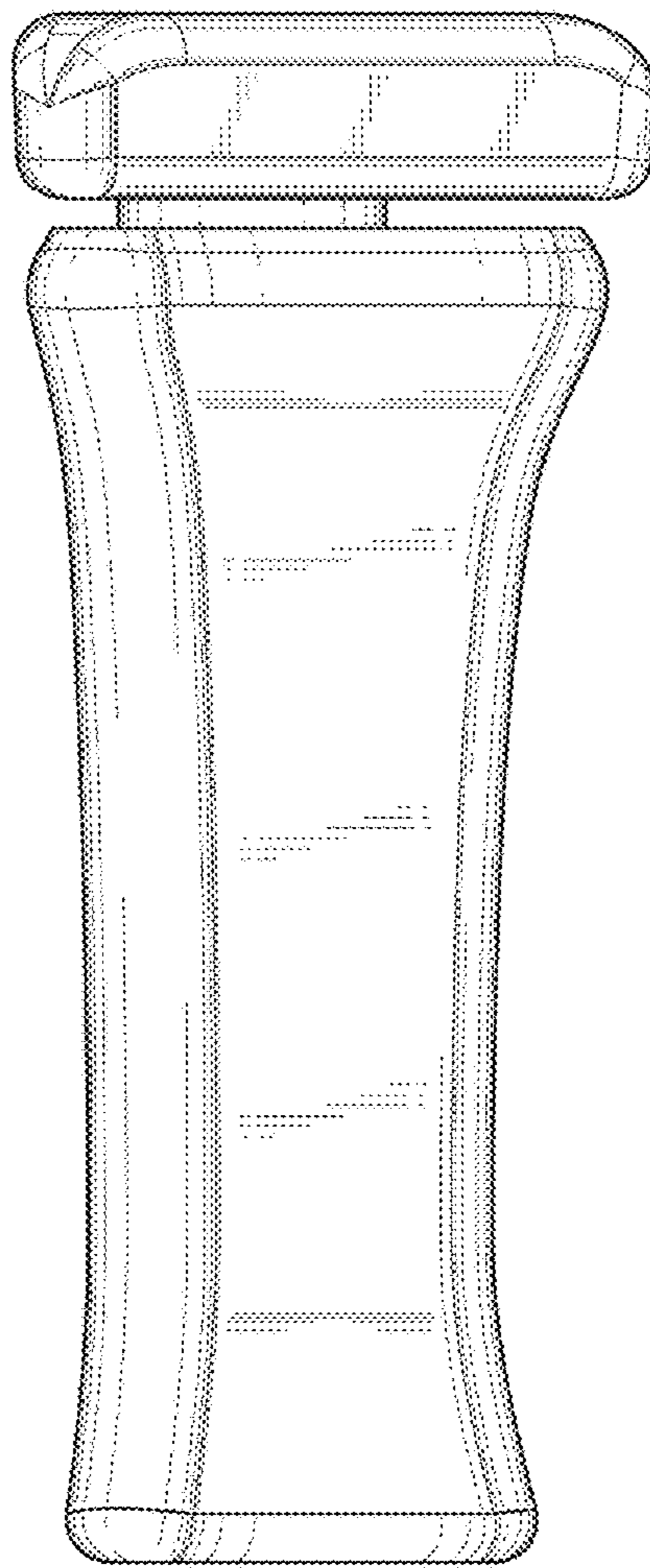


Fig. 4



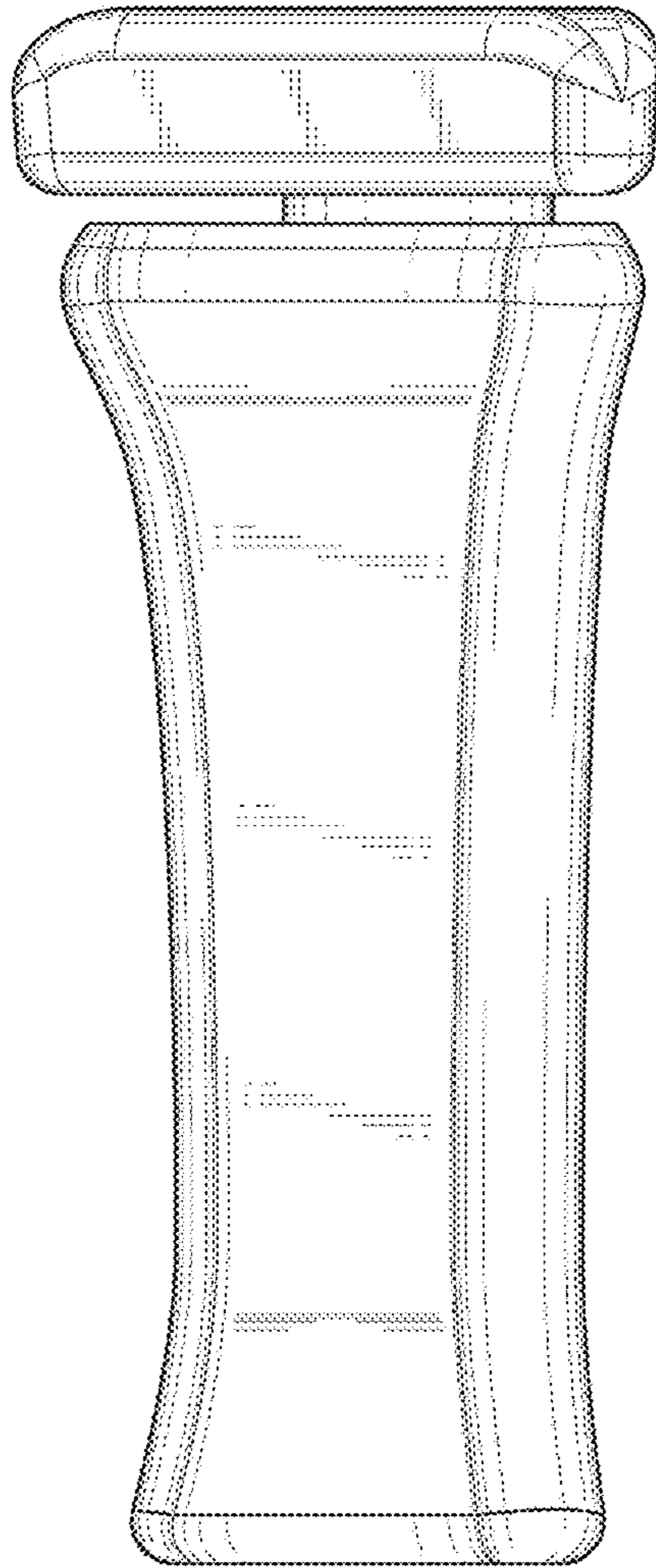


Fig. 5

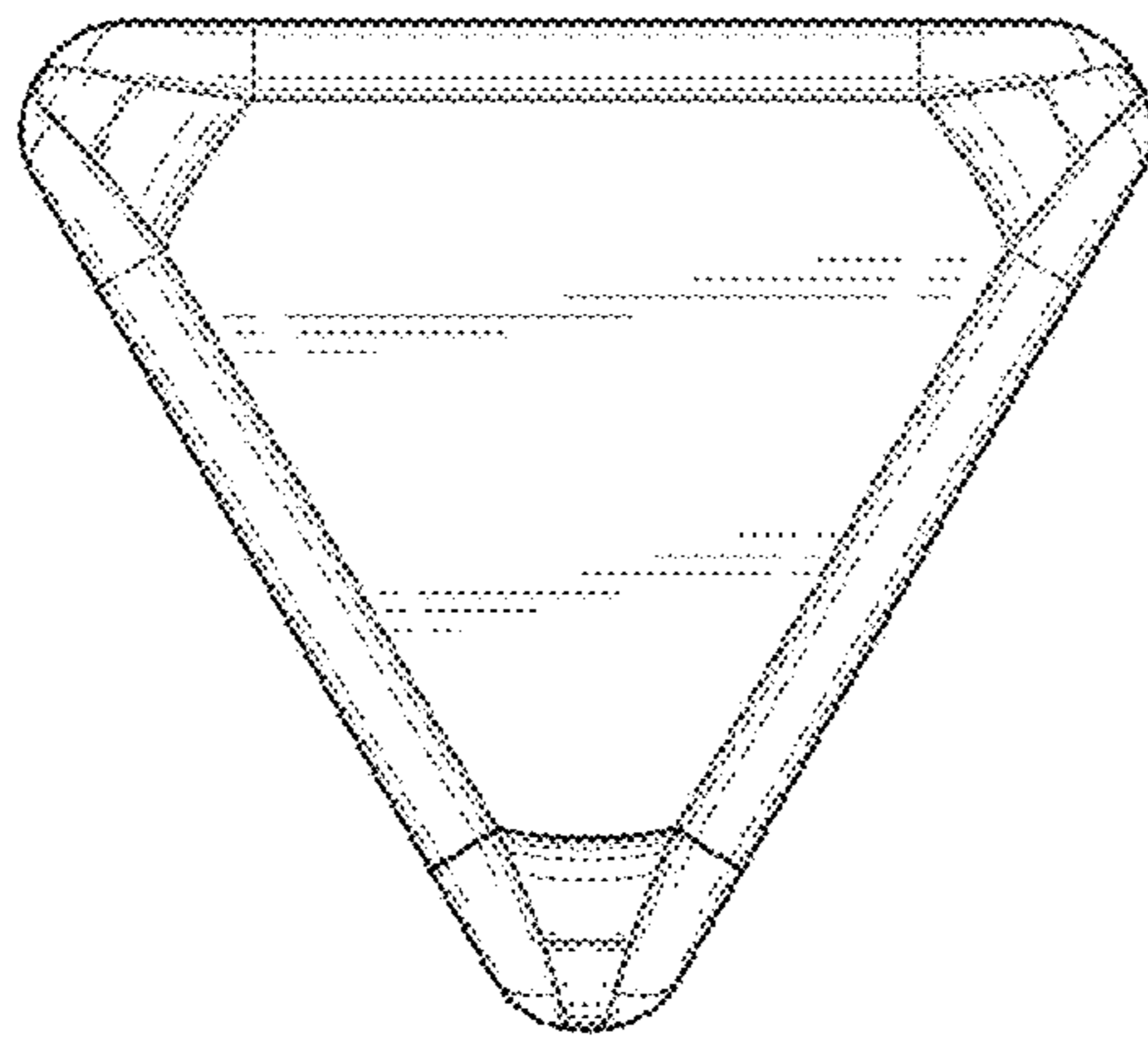


Fig. 6