



US00D865070S

(12) **United States Design Patent**
Horikoshi

(10) **Patent No.:** **US D865,070 S**

(45) **Date of Patent:** **** Oct. 29, 2019**

- (54) **ACCESSORY FOR SPINNING TOP TOY**
- (71) Applicant: **TOMY COMPANY, LTD.**, Tokyo (JP)
- (72) Inventor: **Kenji Horikoshi**, Tokyo (JP)
- (73) Assignee: **TOMY COMPANY, LTD.**, Tokyo (JP)
- (**) Term: **15 Years**
- (21) Appl. No.: **29/654,897**
- (22) Filed: **Jun. 28, 2018**
- (30) **Foreign Application Priority Data**

Feb. 26, 2018 (JP) 2018-003892

(51) **LOC (12) Cl.** **21-01**

(52) **U.S. Cl.**
USPC **D21/461**; D21/454; D21/463

(58) **Field of Classification Search**
USPC D21/454, 455-464, 561, 566, 568, 570,
D21/606; 446/38-45, 236-266, 429, 430,
446/462, 489
CPC A63H 1/00-06; A63H 1/12; A63H 17/008;
A63H 27/14; A63H 29/00; A63H 29/20;
A63H 29/24; A63H 31/06; A63H 31/08;
A63F 9/16
See application file for complete search history.

(56) **References Cited**

U.S. PATENT DOCUMENTS

- D4,730 S * 3/1871 Warrens D22/118
- D32,881 S * 6/1900 Griswold, Jr. D11/107
- D68,875 S * 11/1925 Schnell D12/199
- D70,455 S * 6/1926 Schnell D12/199
- D130,930 S * 12/1941 Balcom D11/107
- D302,191 S * 7/1989 Lakin D21/461
- D637,661 S * 5/2011 Horikoshi D21/453

- D825,674 S * 8/2018 Horikoshi D21/461
- D825,675 S * 8/2018 Kitamura D21/461
- 2012/0264351 A1 * 10/2012 Ichikawa A63H 29/20
446/465

FOREIGN PATENT DOCUMENTS

- CN 3480889 * 10/2005
- CN 300885207 * 2/2009

(Continued)

Primary Examiner — Catherine A Tuttle
(74) *Attorney, Agent, or Firm* — Oliff PLC

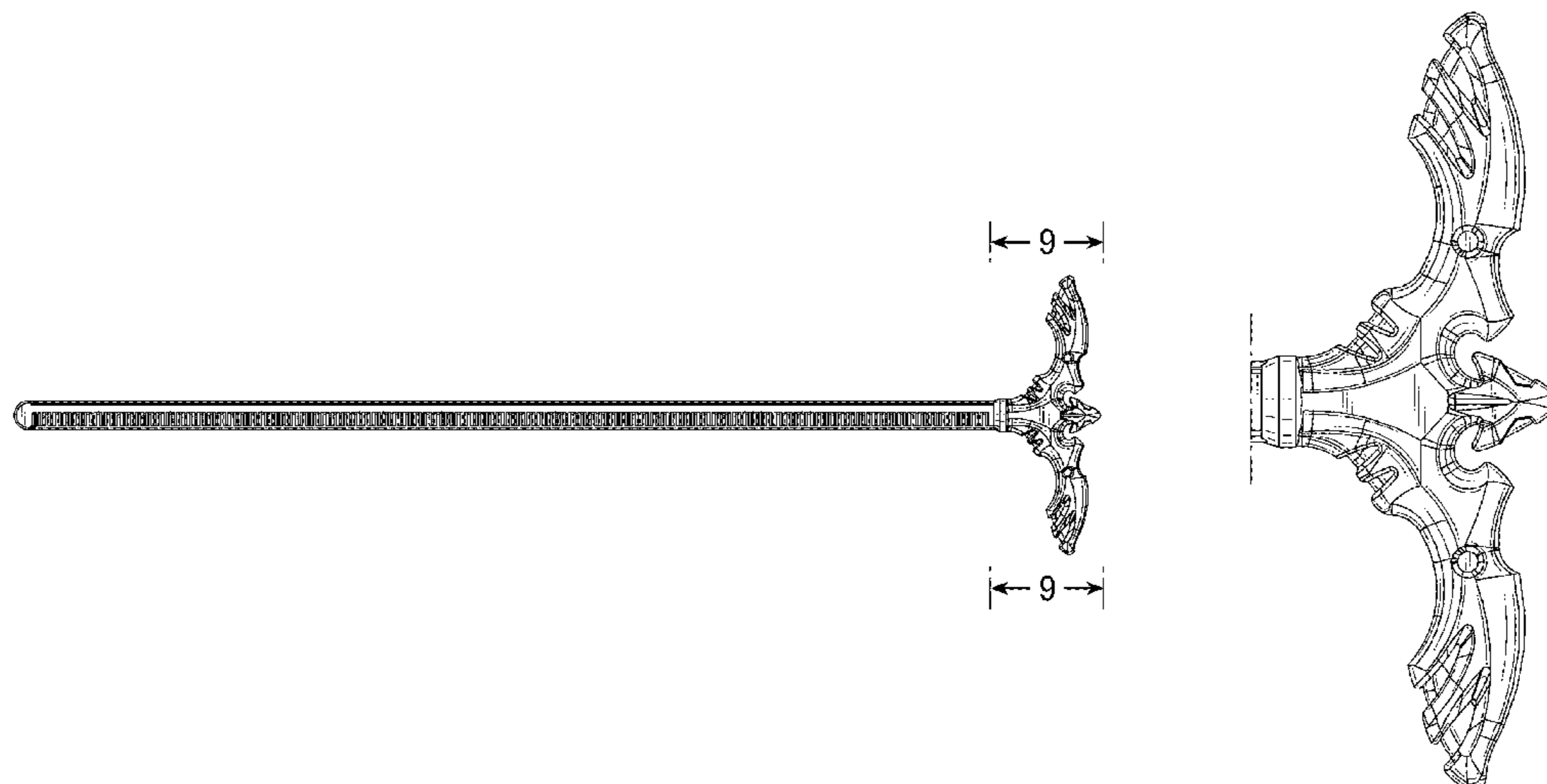
(57) **CLAIM**

The ornamental design for an accessory for spinning top toy, as shown and described.

DESCRIPTION

FIG. 1 is a front elevational view of the accessory for spinning top toy;
FIG. 2 is a rear elevational view thereof;
FIG. 3 is a left-side elevational view thereof;
FIG. 4 is a right-side elevational view thereof;
FIG. 5 is a top plan view thereof;
FIG. 6 is a bottom plan view thereof;
FIG. 7 is a front, top, right-side perspective view thereof;
FIG. 8 is a rear, bottom, left-side perspective view thereof;
FIG. 9 is an enlarged view of area 9 in FIG. 1;
FIG. 10 is an enlarged view of area 10 in FIG. 2;
FIG. 11 is an enlarged left-side elevational view thereof;
FIG. 12 is an enlarged right-side elevational view thereof;
FIG. 13 is an enlarged view of area 13 in FIG. 5;
FIG. 14 is an enlarged view of area 14 in FIG. 6;
FIG. 15 is an enlarged view of area 15 in FIG. 7; and,
FIG. 16 is an enlarged view of area 16 in FIG. 8.
The dot-dash chain lines depict boundaries of the enlarged areas, and thus form no part of the claimed design.

1 Claim, 16 Drawing Sheets



(56)

References Cited

FOREIGN PATENT DOCUMENTS

CN	302044640	*	8/2012	
CN	303648727	*	4/2016	
JP	2017056065	A *	3/2017	
JP	2017169775	A *	9/2017	
JP	304607466	*	5/2018	
WO	WO-2015068270	A1 *	5/2015 A63H 29/20

* cited by examiner

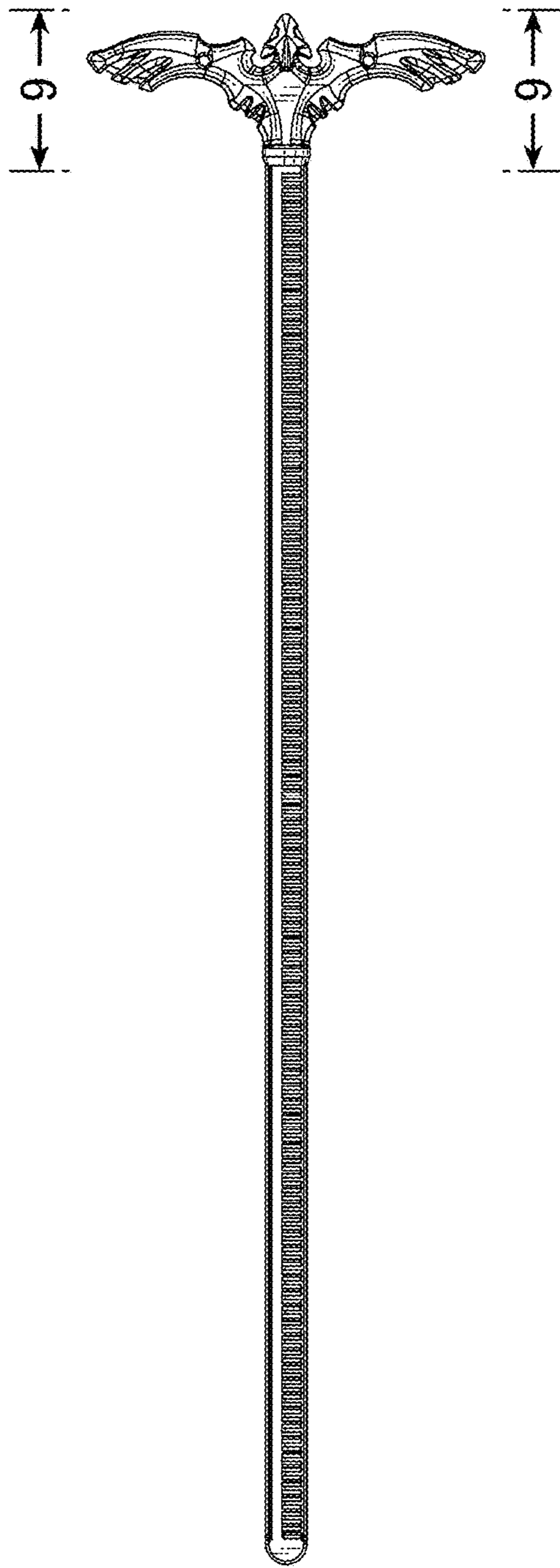


FIG. 1

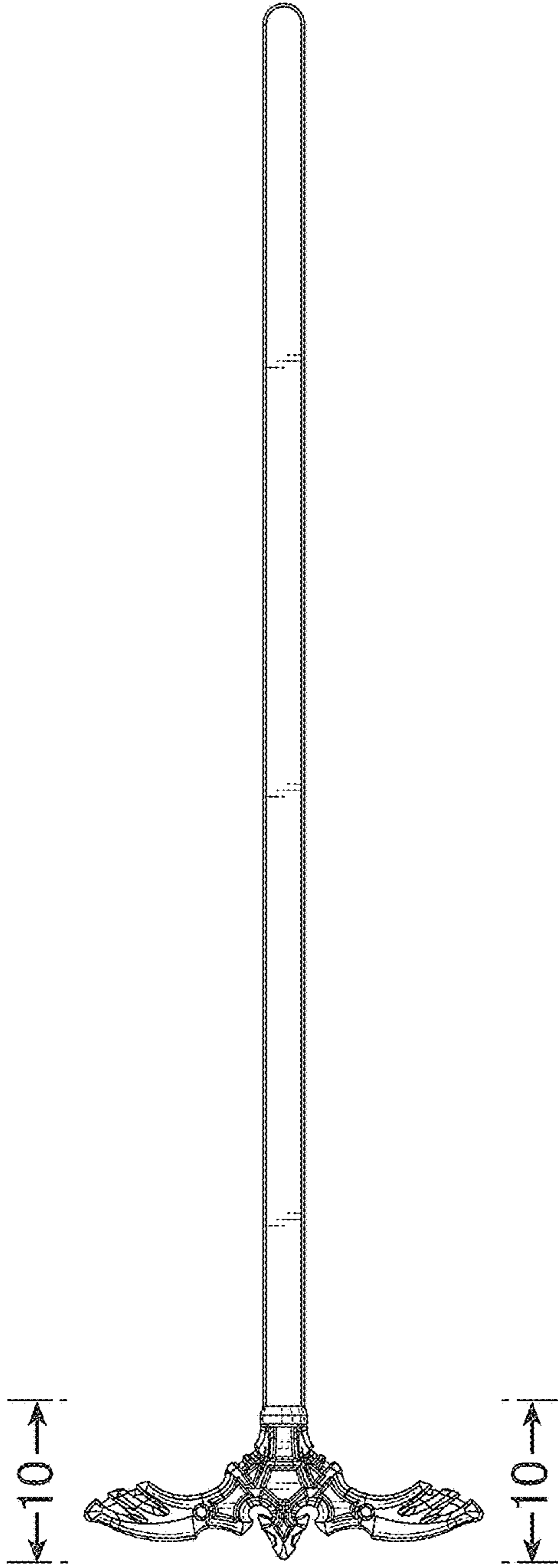


FIG. 2



FIG. 3



FIG. 4

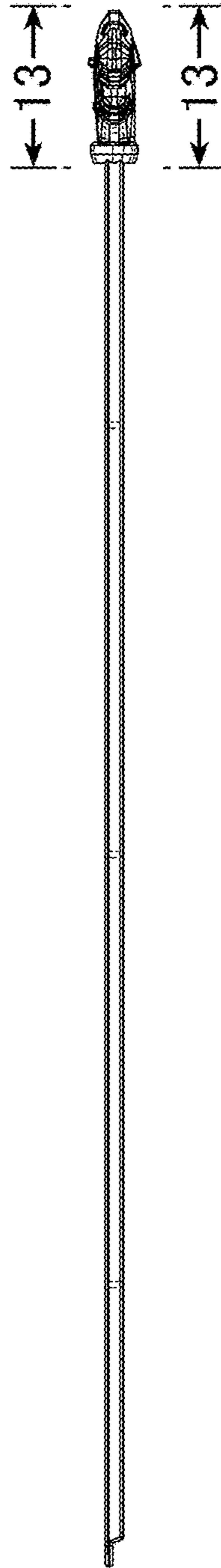


FIG. 5

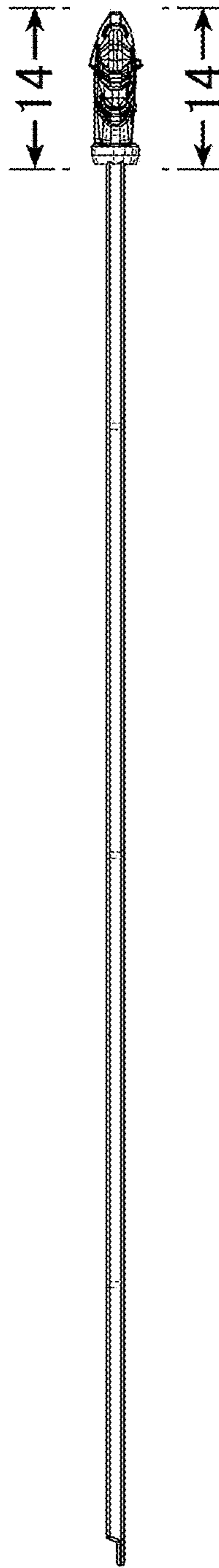


FIG. 6

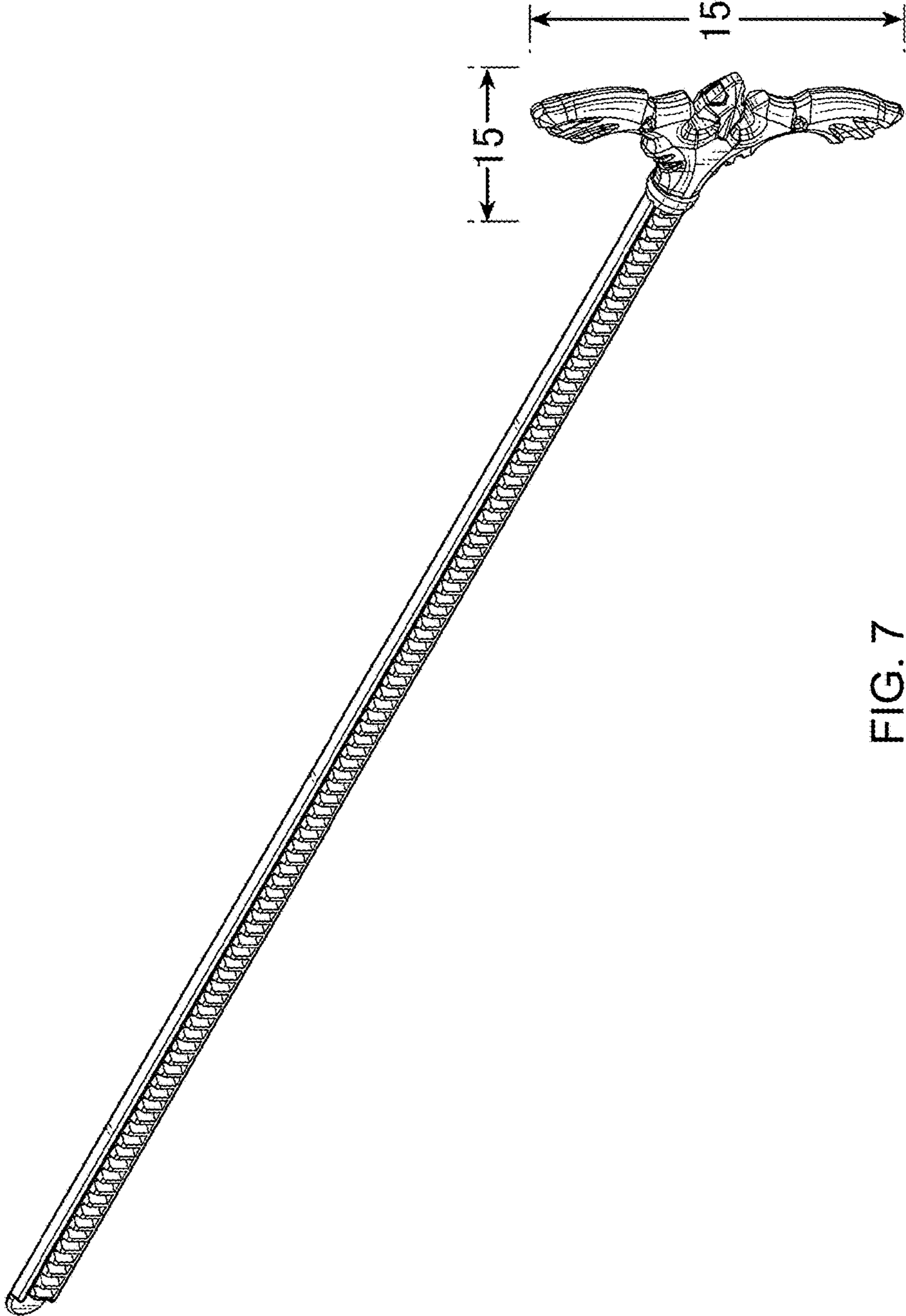


FIG. 7

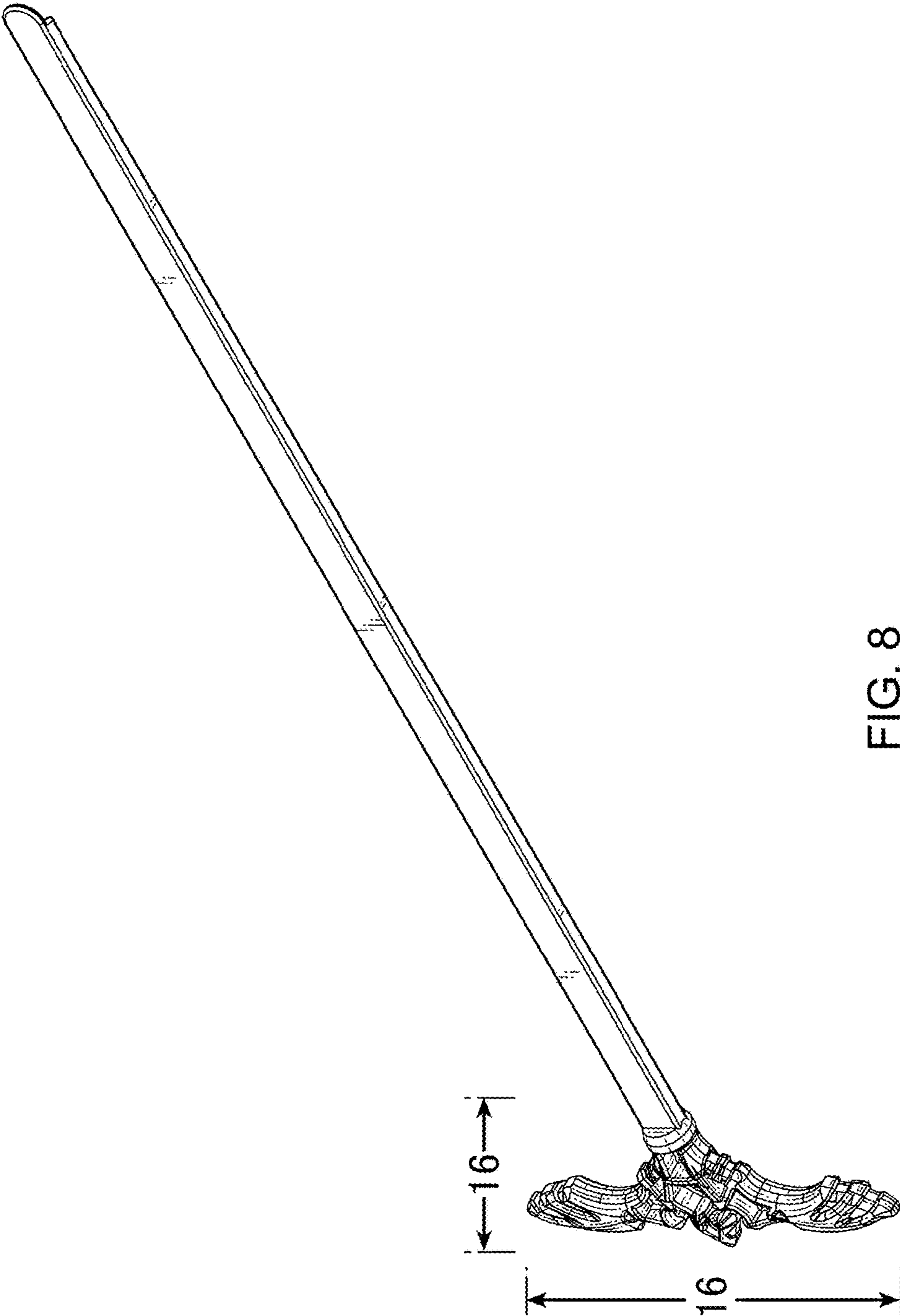


FIG. 8

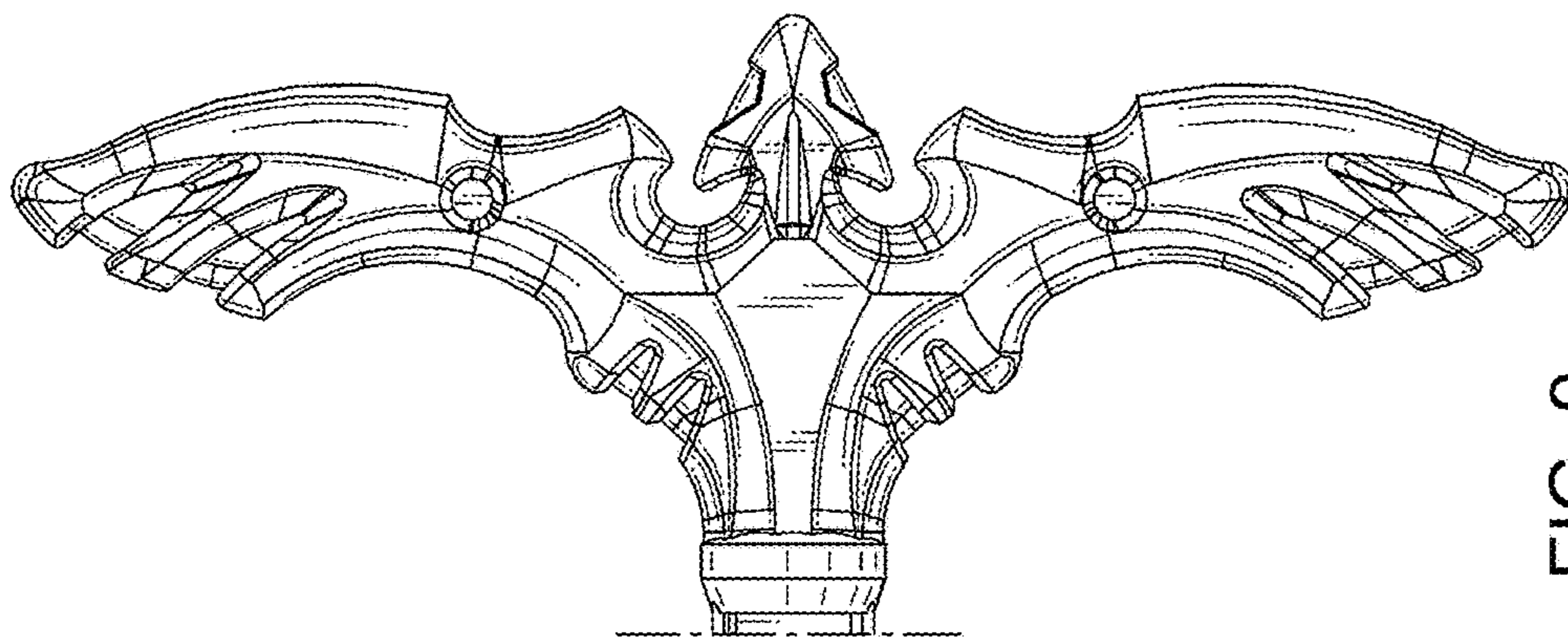


FIG. 9

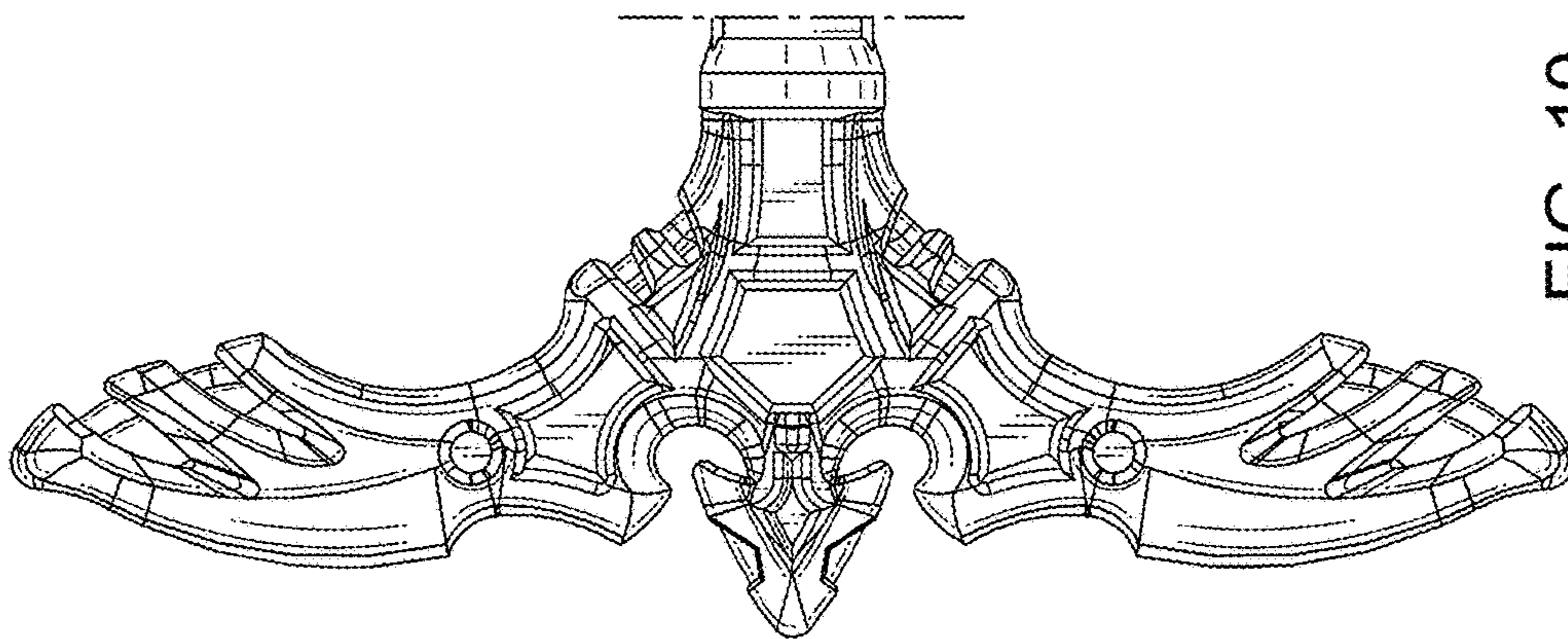


FIG. 10

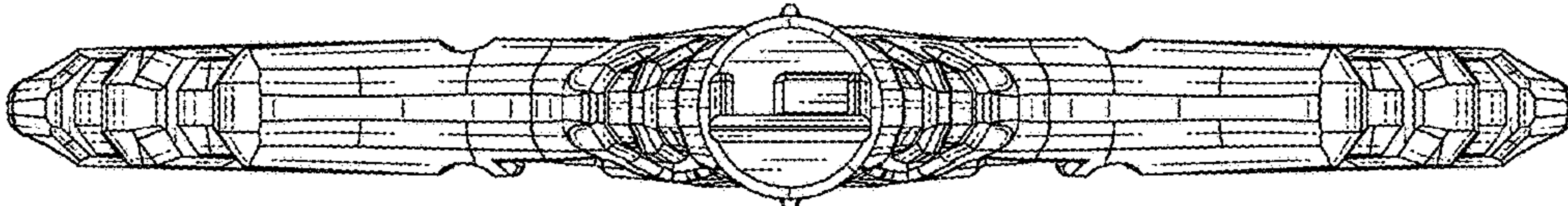


FIG. 11

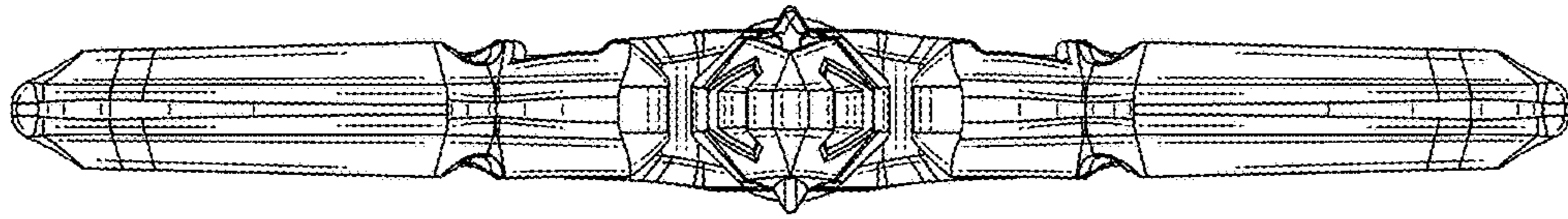


FIG. 12

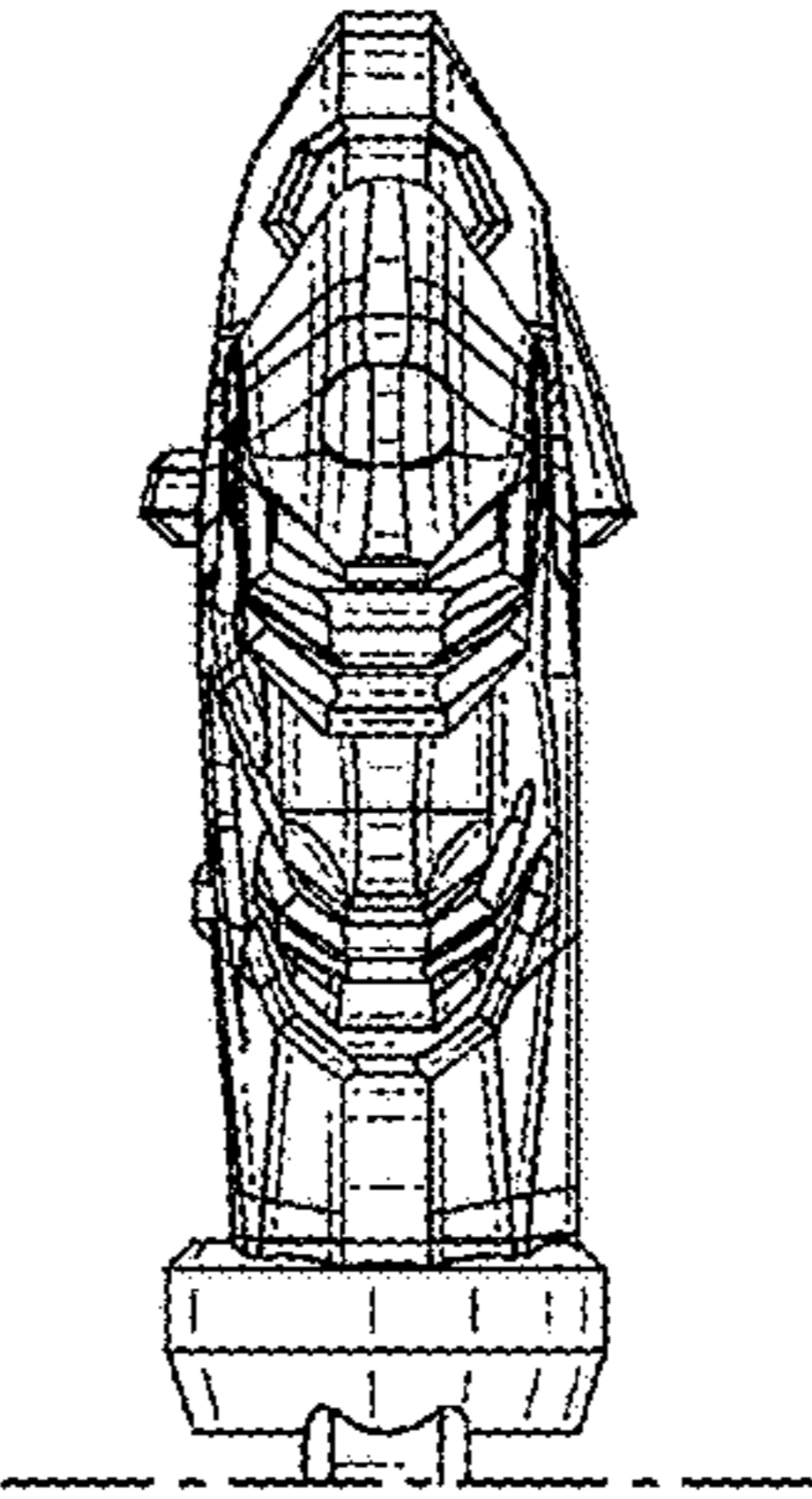


FIG. 13

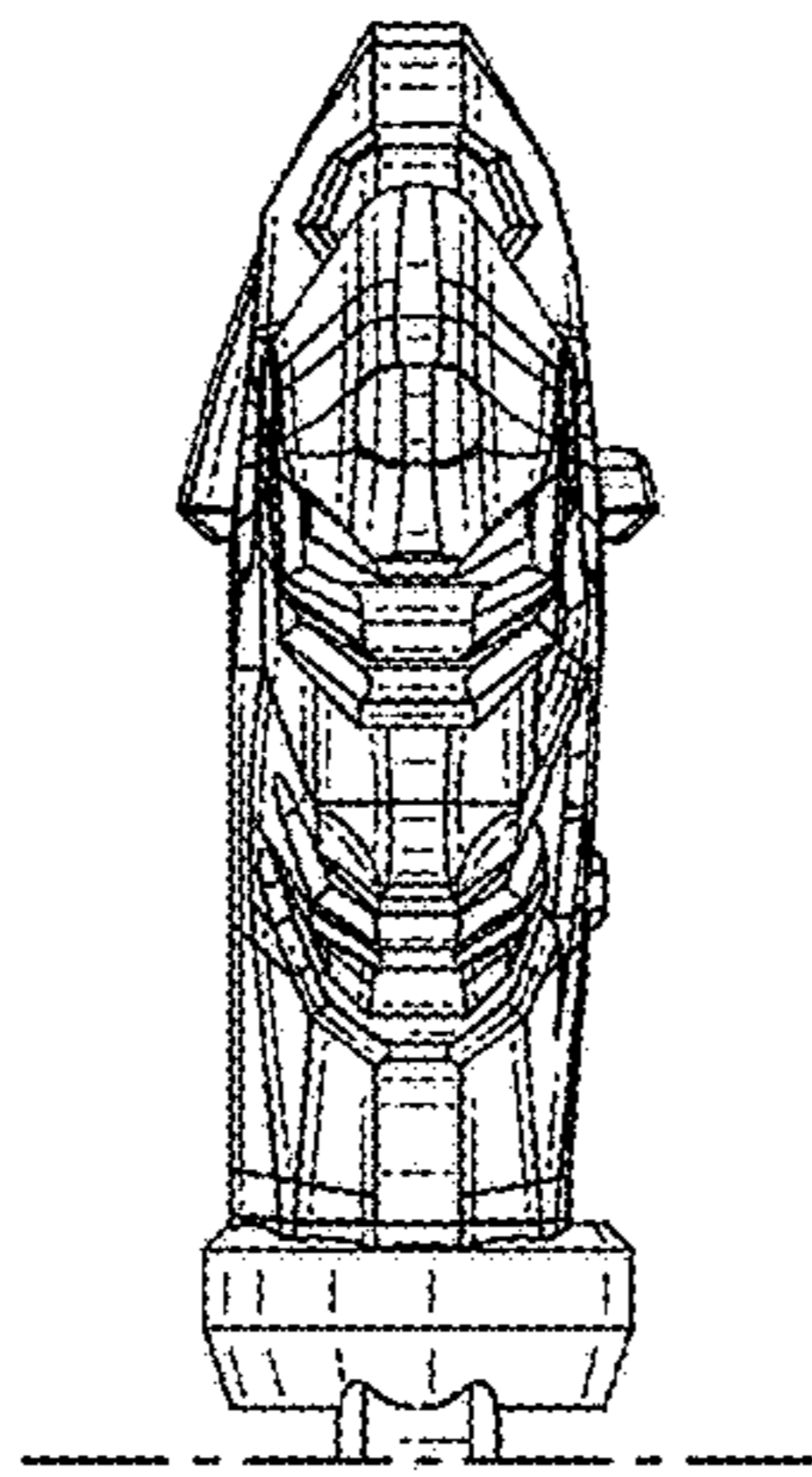


FIG. 14

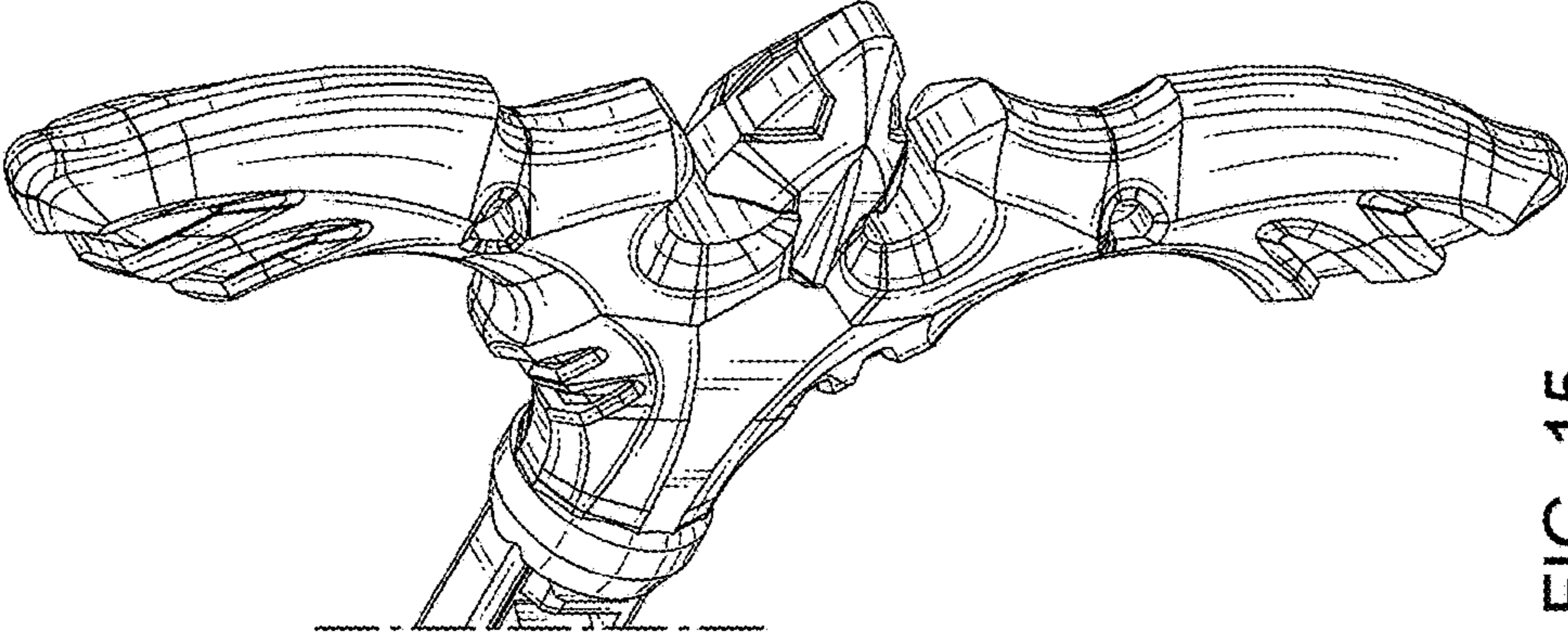


FIG. 15

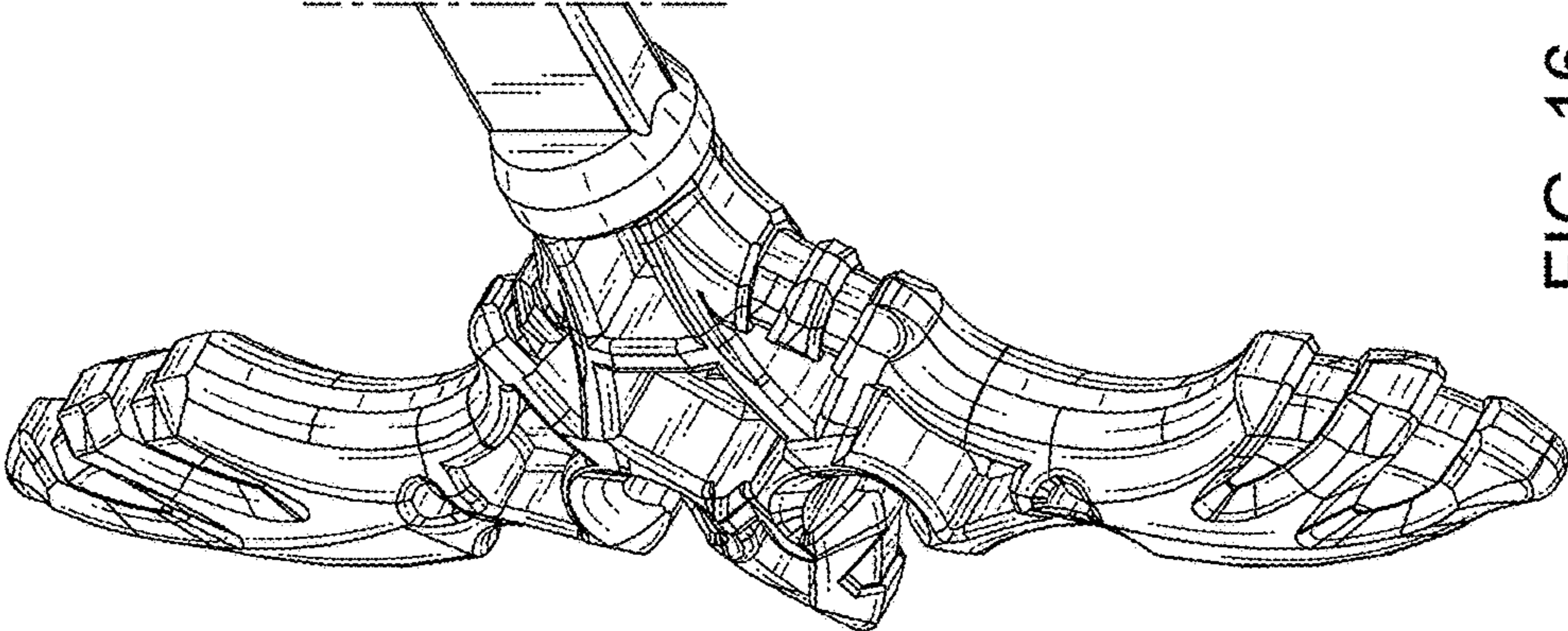


FIG. 16