



US00D865068S

(12) **United States Design Patent**
Goldstein

(10) **Patent No.:** **US D865,068 S**

(45) **Date of Patent:** **** Oct. 29, 2019**

(54) **BOARD GAME STRAP**

Primary Examiner — George D. Kirschbaum

(71) Applicant: **Avraham Goldstein**, Flushing, NY
(US)

(72) Inventor: **Avraham Goldstein**, Flushing, NY
(US)

(**) Term: **15 Years**

(21) Appl. No.: **29/653,054**

(22) Filed: **Jun. 12, 2018**

(51) **LOC (12) Cl.** **21-03**

(52) **U.S. Cl.**
USPC **D21/385**

(58) **Field of Classification Search**
USPC D21/385; D3/327; D9/631
See application file for complete search history.

(56) **References Cited**

U.S. PATENT DOCUMENTS

D770,299 S * 11/2016 Andrews D9/631
D787,829 S * 5/2017 Kohn D3/327

OTHER PUBLICATIONS

NoMA X-Shaped Rubber Bands, www.amazon.com/MoMA-X-Shaped-Rubber-Assorted-Colors/dp/B003335MZ4 (Year: 2014).*
Box Bands, www.flyingbuffalo.com/other (Year: 2016).*

* cited by examiner

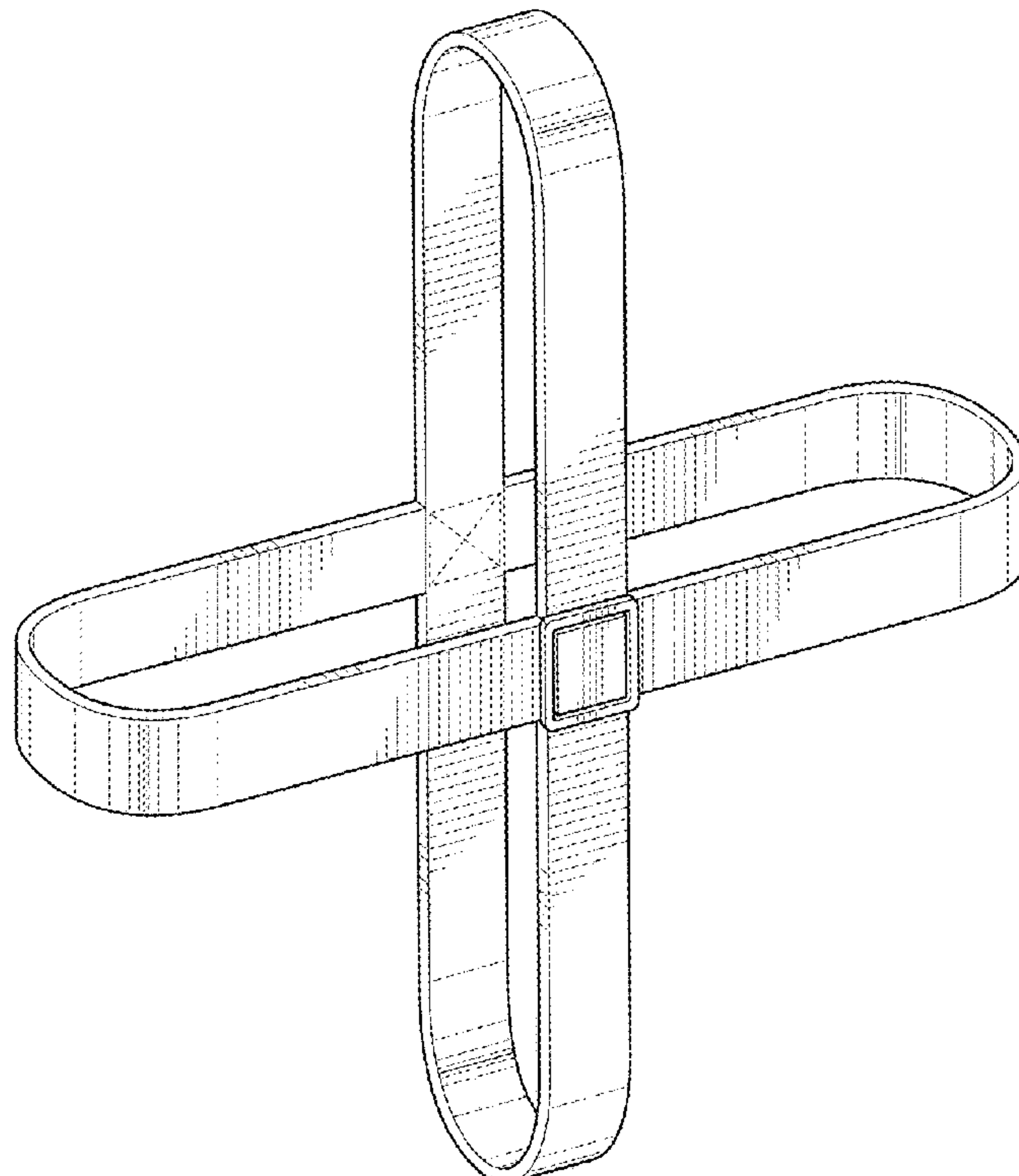
(57) **CLAIM**

I claim the ornamental design for a board game strap, as shown and described.

DESCRIPTION

FIG. 1 is a perspective view of the board game strap of the claimed design;
FIG. 2 is a perspective view of the board game strap of FIG. 1, which has been applied to a board game;
FIG. 3 is a front side view of the board game strap of FIG. 1;
FIG. 4 is a back side view of the board game strap of FIG. 1;
FIG. 5 is a left side view of the board game strap of FIG. 1;
FIG. 6 is a right side view of the board game strap of FIG. 1;
FIG. 7 is a bottom side view of the board game strap of FIG. 1; and,
FIG. 8 is a top side view of the board game strap of FIG. 1. The broken line showing a board game in FIG. 2 is for the purpose of illustrating environmental structure and forms no part of the claimed design.

1 Claim, 6 Drawing Sheets



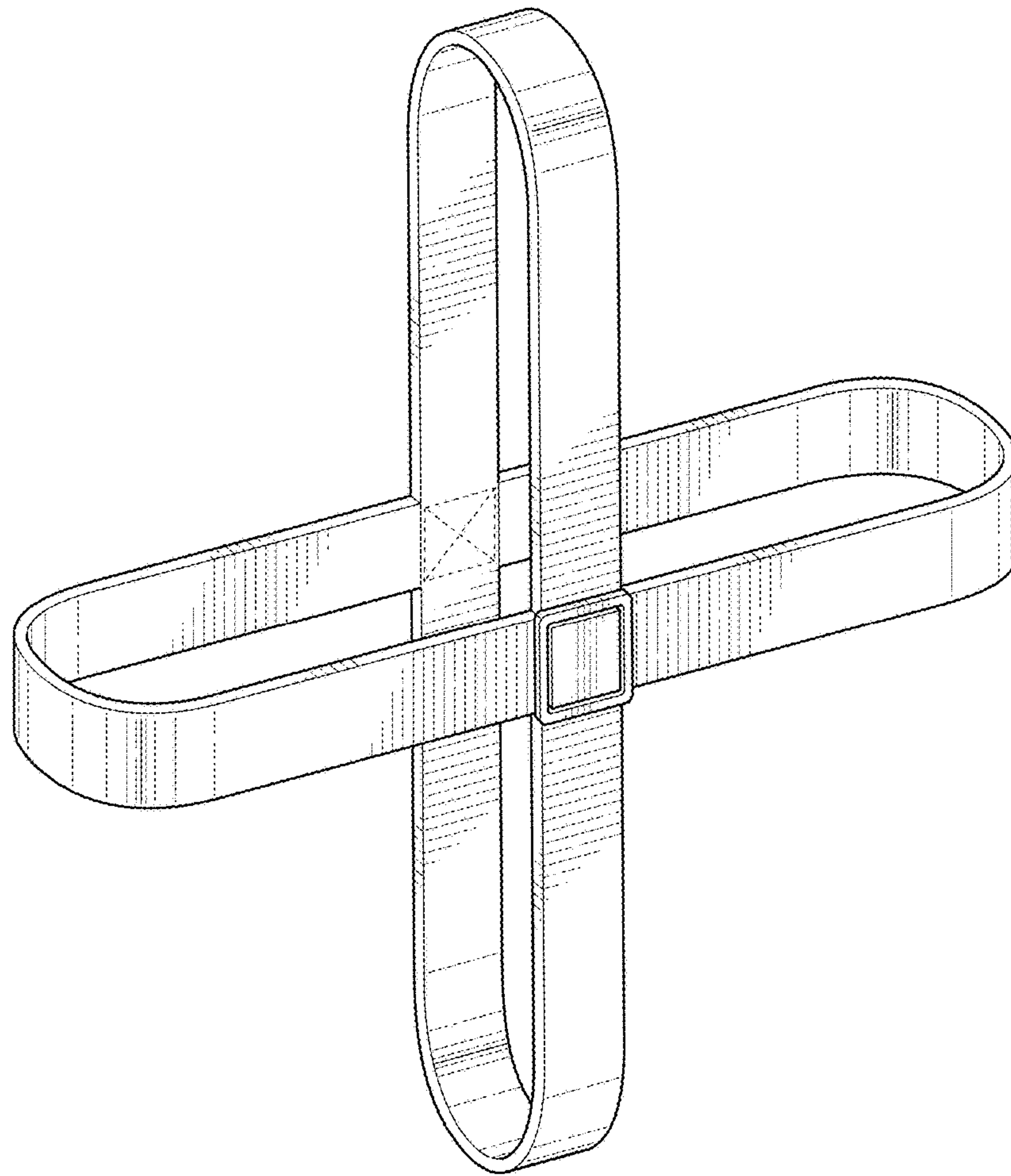


FIG. 1

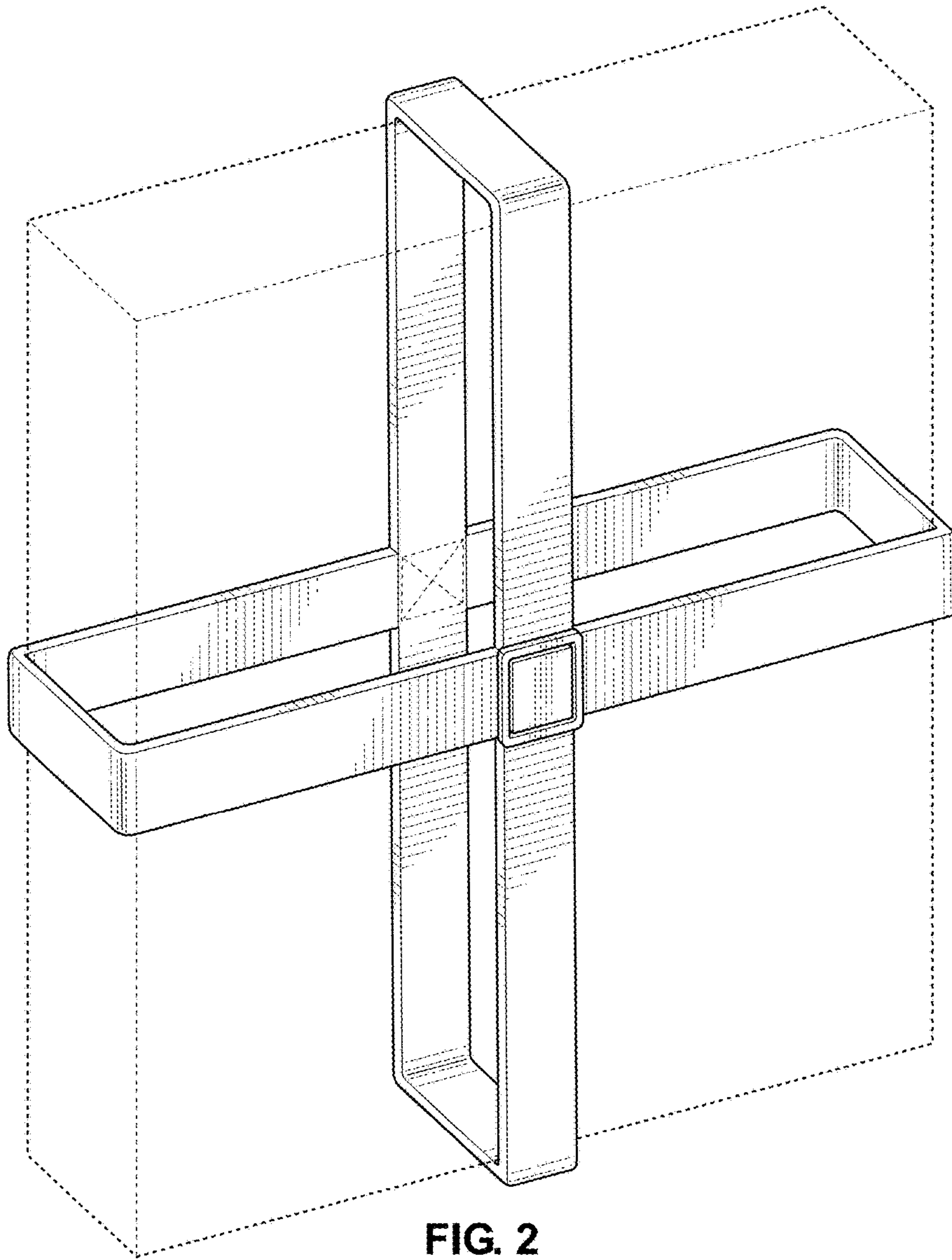


FIG. 2

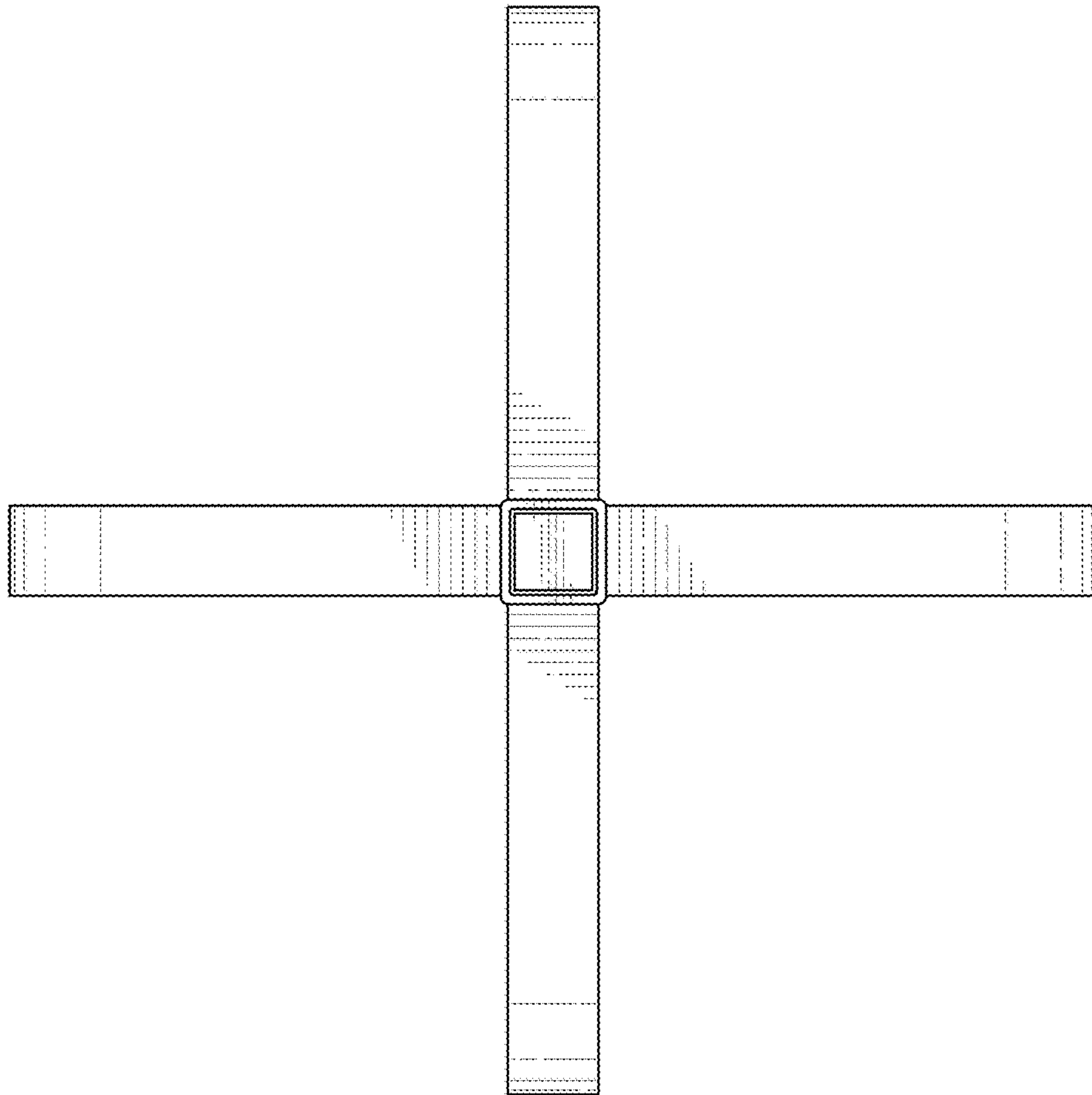


FIG. 3

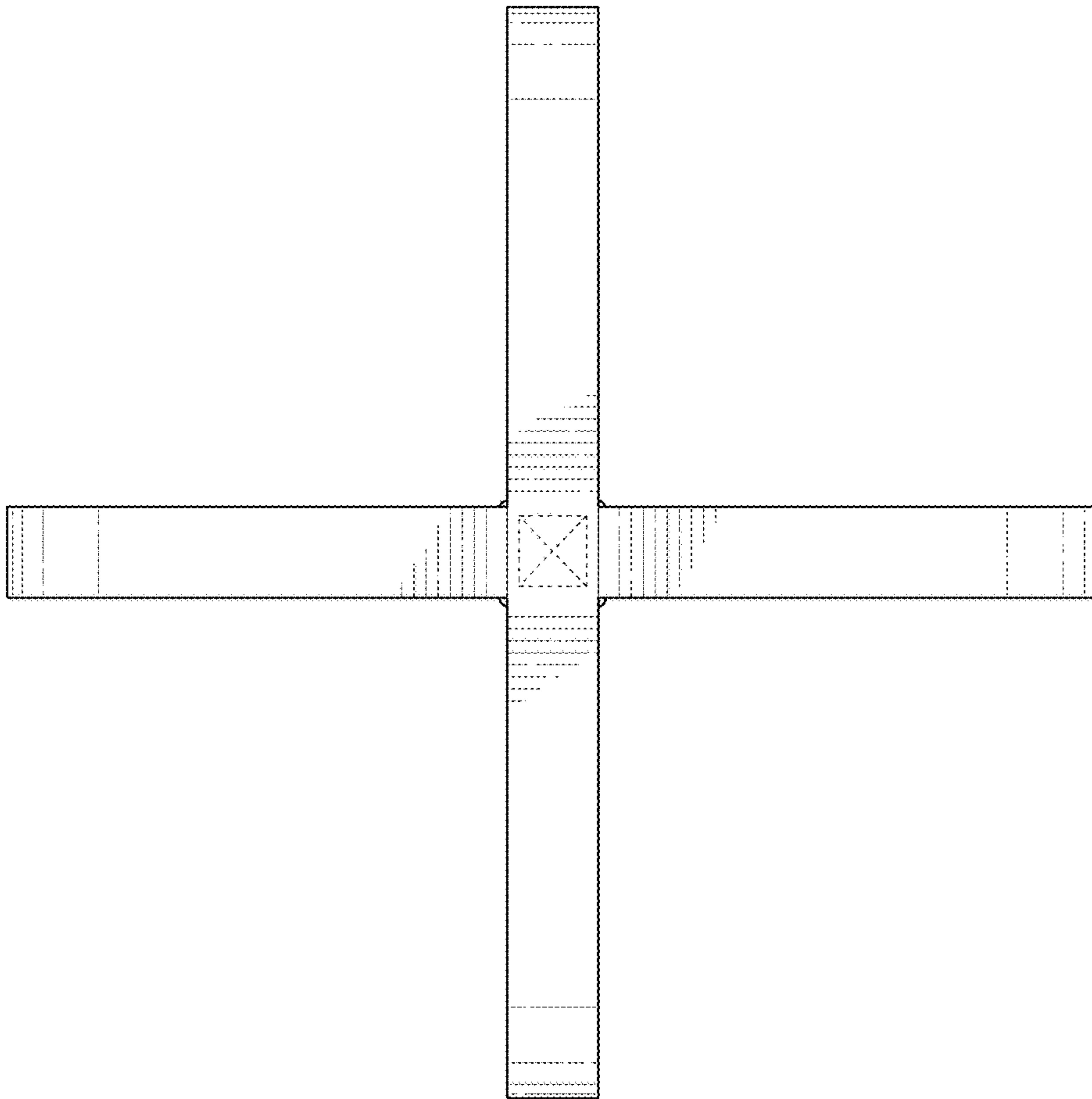


FIG. 4

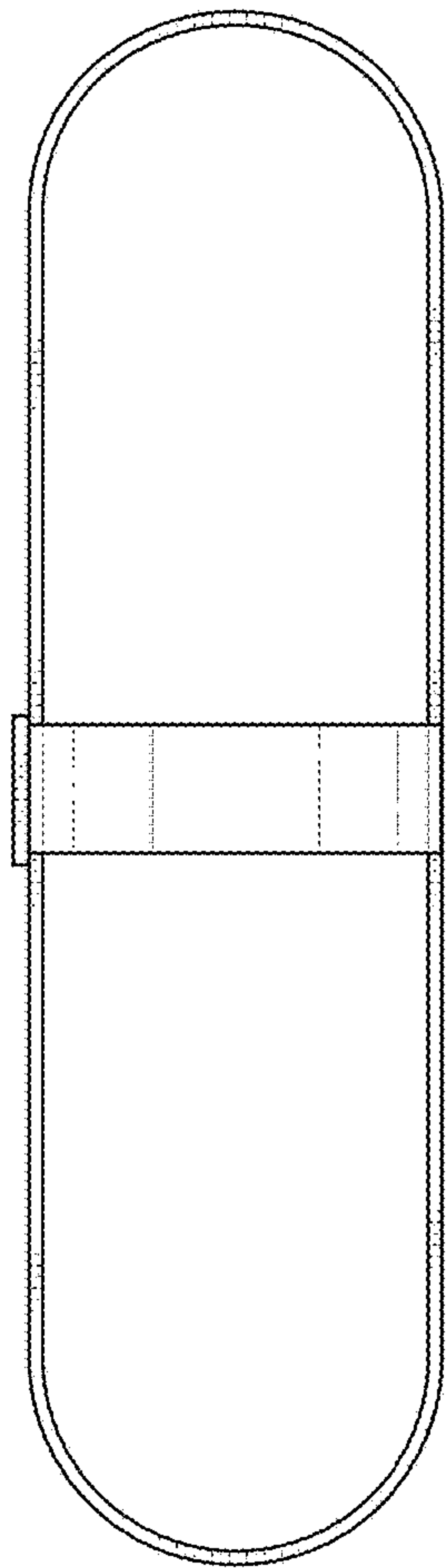


FIG. 5

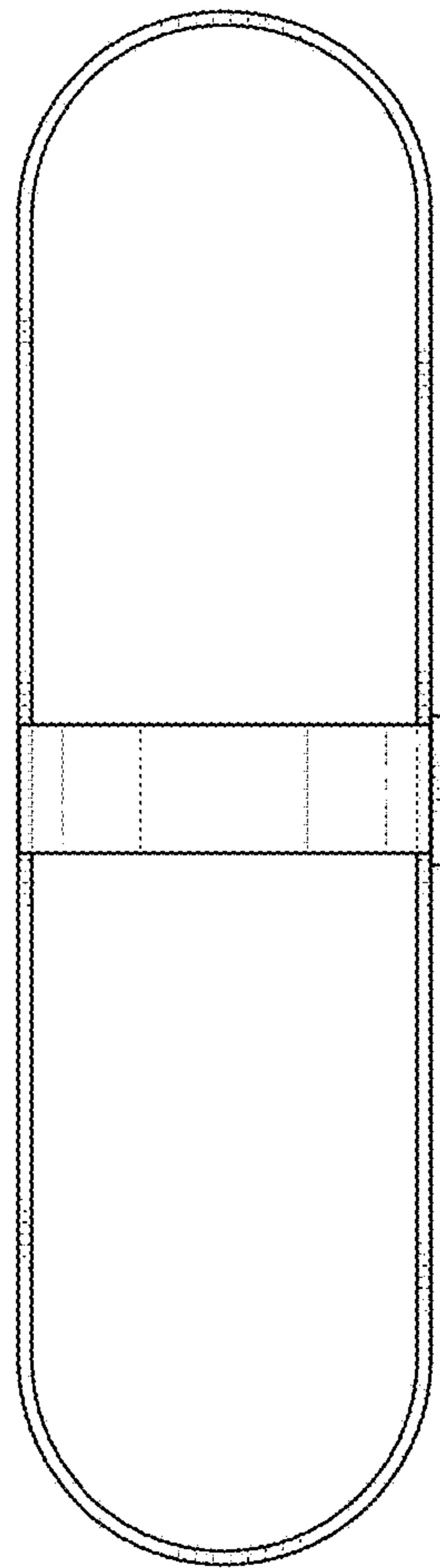


FIG. 6

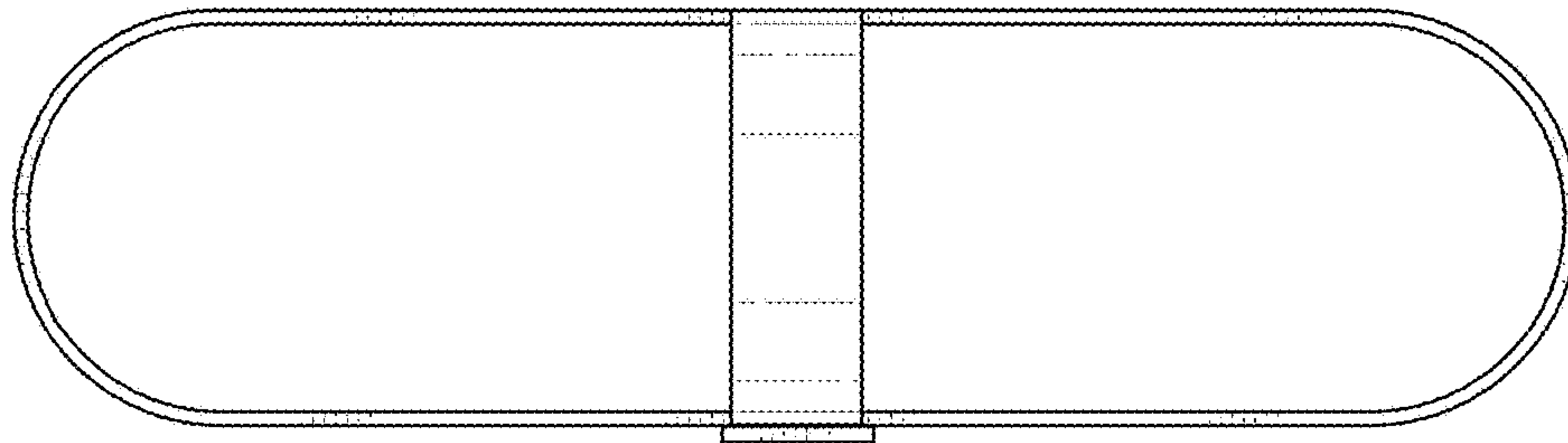


FIG. 7

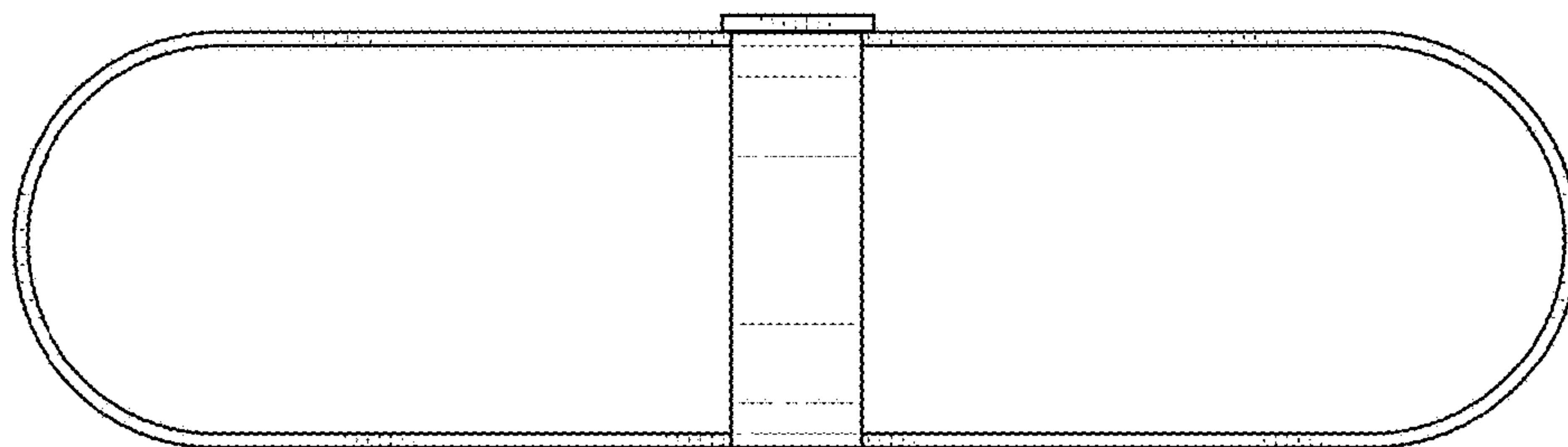


FIG. 8