

US00D865066S

(12) **United States Design Patent** (10) **Patent No.:** **US D865,066 S**
Ortiz De Viveiros et al. (45) **Date of Patent:** **** Oct. 29, 2019**

(54) **GAMING MACHINE**

(56) **References Cited**

(71) Applicant: **ZITRO IP S.à.r.l.**, Luxembourg (LU)

U.S. PATENT DOCUMENTS

(72) Inventors: **Johnny Ortiz De Viveiros**, Madrid (ES); **Fidel Raül García Álvarez**, Madrid (ES)

D378,604 S * 3/1997 Brettschneider D21/370
D380,014 S * 6/1997 Yang D21/370
D381,697 S * 7/1997 Brettschneider D21/370
D388,469 S * 12/1997 Dickenson D21/325
5,890,715 A * 4/1999 Gomez A63F 7/027
273/118 A

(73) Assignee: **ZITRO IP S.à.r.l.**, Luxembourg (LU)

D442,640 S * 5/2001 Hayashi D21/305
D481,078 S 10/2003 Stephan
D496,407 S * 9/2004 Gadda D21/325
D508,268 S * 8/2005 Hanchar D21/369

(**) Term: **15 Years**

(Continued)

(21) Appl. No.: **29/669,583**

OTHER PUBLICATIONS

(22) Filed: **Nov. 9, 2018**

Fusion Slant by Zitrogames dated Sep. 15, 2017. Found online [Aug. 21, 2018]https://www.youtube.com/watch?v=72WVrMw16b (Year: 2017).

Related U.S. Application Data

(Continued)

(62) Division of application No. 29/610,738, filed on Jul. 14, 2017.

Primary Examiner — Ryan Harvey

(74) *Attorney, Agent, or Firm* — Davis & Bujold PLLC; Michael J. Bujold

(30) **Foreign Application Priority Data**

Jan. 16, 2017 (EM) 003641265-0001
Jan. 16, 2017 (EM) 003641265-0002
Jan. 16, 2017 (EM) 003641265-0003

(57) **CLAIM**

(51) **LOC (12) Cl.** **21-03**
(52) **U.S. Cl.**
USPC **D21/369**

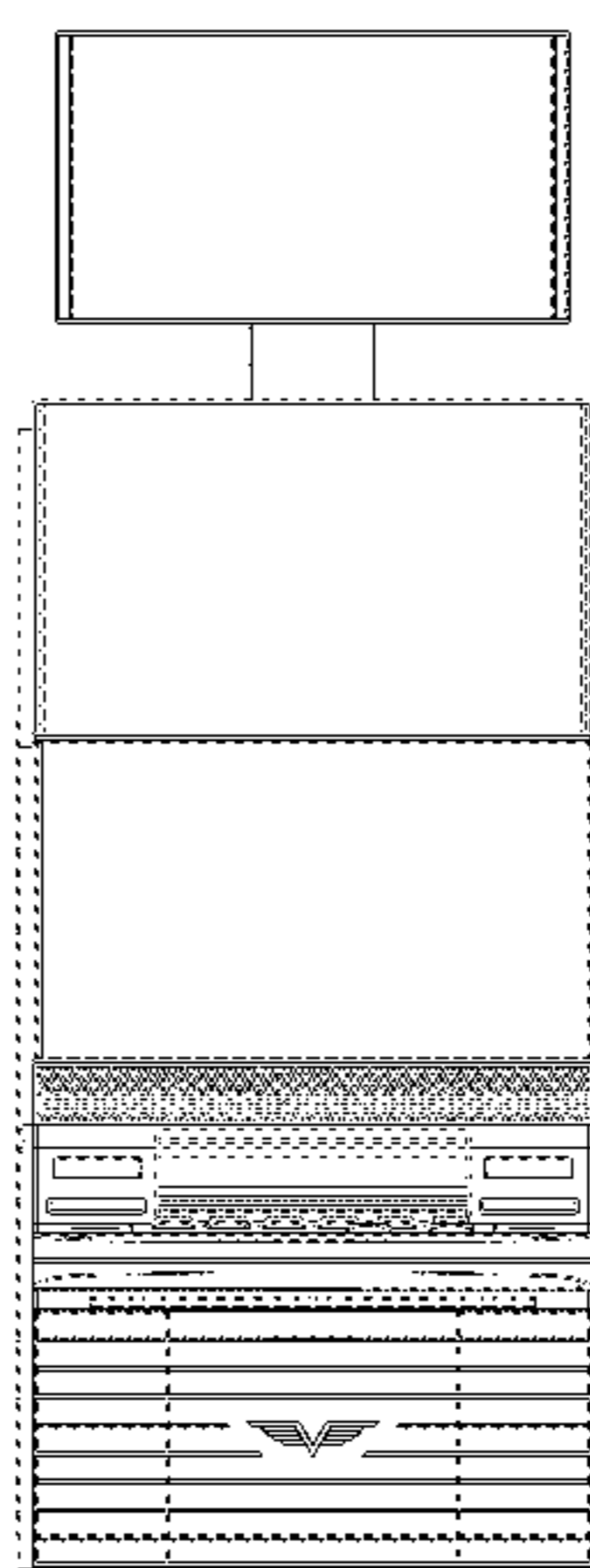
We claim the ornamental design for a gaming machine, as shown and described.

(58) **Field of Classification Search**
USPC D21/369, 370, 371, 385, 329, 325, 394;
D14/307, 172, 129, 325, 401, 371, 126,
D14/439, 432, 450, 128, 375, 248, 374,
D14/341, 138 G, 127; 463/28, 13, 11,
463/16, 20, 25, 31, 46, 23, 30, 17, 36, 29,
463/42, 34, 32, 35, 19, 21, 22; 273/292,
273/203, 138.2, 143 R, 142 R, 138.1;
D8/335, 331, 334
CPC G07F 17/32; G07F 17/34; G07F 17/3211;
G07F 17/3244; G07F 17/3267
See application file for complete search history.

DESCRIPTION

FIG. 1 is a front elevation view of the gaming machine according to the present invention;
FIG. 2 is a rear elevation view of FIG. 1;
FIG. 3 is a right side elevational view of FIG. 1;
FIG. 4 is a left side elevation view of FIG. 1;
FIG. 5 is a top, front, left side perspective view of FIG. 1; and,
FIG. 6 is a top plan view of FIG. 1.

(Continued)



No claim is made to the bottom surface of the gaming machine.

1 Claim, 6 Drawing Sheets

(56)

References Cited

U.S. PATENT DOCUMENTS

D535,338 S * 1/2007 Linard D21/369
 D554,708 S * 11/2007 Gutknecht D21/370
 D573,201 S * 7/2008 Hashimoto D21/370
 D586,866 S 2/2009 Hsu
 D599,859 S 9/2009 Lesley et al.
 D603,909 S * 11/2009 De Viveiros Ortiz D21/325
 D613,802 S * 4/2010 Meyers D21/370
 D615,598 S 5/2010 McComb et al.
 D616,039 S * 5/2010 Bruzzese D21/370
 D619,177 S 7/2010 Lee
 D622,323 S * 8/2010 De Viveiros Ortiz D21/325
 D626,183 S * 10/2010 Cole D21/370
 D627,008 S * 11/2010 Bruzzese D21/385
 D632,342 S * 2/2011 Wen D21/370
 D677,736 S 3/2013 Dorn et al.
 D684,216 S 6/2013 Terpstra et al.
 D684,637 S 6/2013 Shelley et al.
 D685,435 S * 7/2013 Hohman D21/370
 D697,558 S 1/2014 Myers et al.
 D704,273 S * 5/2014 Chudek D21/369
 D705,872 S 5/2014 Ortiz
 D708,676 S 7/2014 Ballman et al.
 D721,766 S * 1/2015 Ferrazoli D21/370
 D721,767 S * 1/2015 Ferrazoli D21/370

D727,431 S 4/2015 Themann
 D730,993 S * 6/2015 Castro D21/370
 D732,520 S 6/2015 Themann
 D740,887 S 10/2015 Randazzo
 D760,846 S * 7/2016 Castro D21/370
 9,679,435 B2 6/2017 Schrementi et al.
 D803,323 S * 11/2017 Bussey D21/369
 D803,324 S * 11/2017 Bussey D21/370
 D818,048 S * 5/2018 Calhoun D21/369
 D822,117 S * 7/2018 Costa D21/325
 2007/0060387 A1 * 3/2007 Enzminger G07F 17/32
 463/43
 2007/0287528 A1 * 12/2007 Hirato G07F 17/32
 463/20
 2007/0287544 A1 * 12/2007 Hirato G07F 17/32
 463/46
 2008/0311987 A1 * 12/2008 Hirato G07F 17/32
 463/35
 2009/0179597 A1 * 7/2009 Salmon G02B 6/0008
 315/313
 2009/0247261 A1 * 10/2009 Koami G07F 17/32
 463/20
 2010/0120541 A1 5/2010 Lesley
 2011/0136573 A1 6/2011 McComb et al.
 2015/0087403 A1 * 3/2015 Castro G07F 17/3209
 463/25
 2015/0269810 A1 * 9/2015 Wolf G07F 17/3225
 463/25

OTHER PUBLICATIONS

Fusion by ZITRO (no date found). Found online [Aug. 21, 2018]<http://www.zitrogames.com/cabinets/> (Year: 0).

* cited by examiner

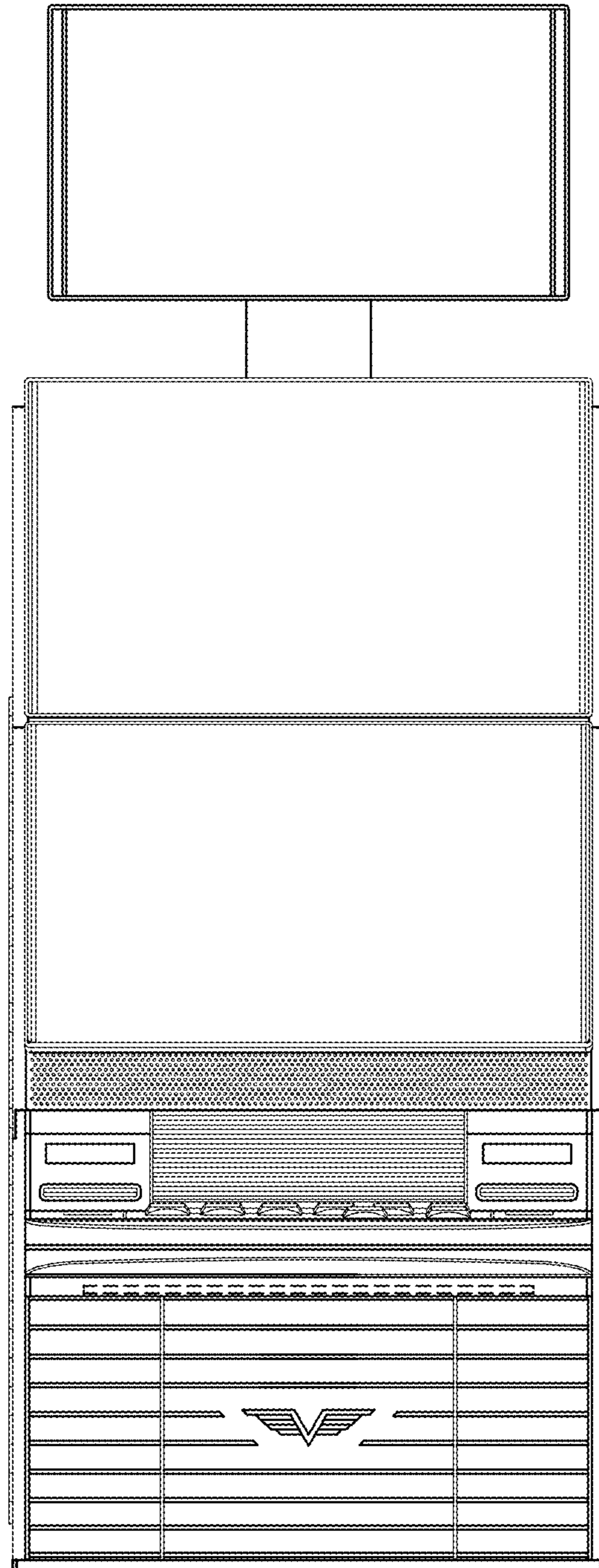


FIG. 1

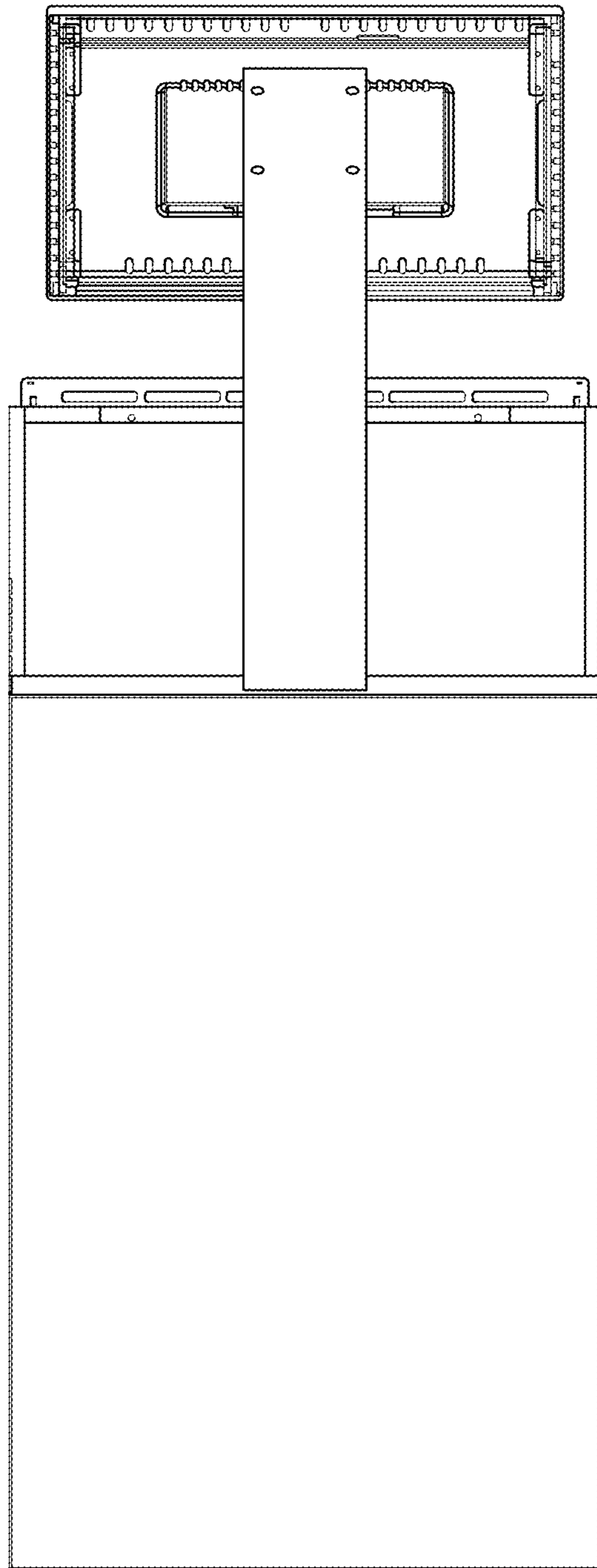
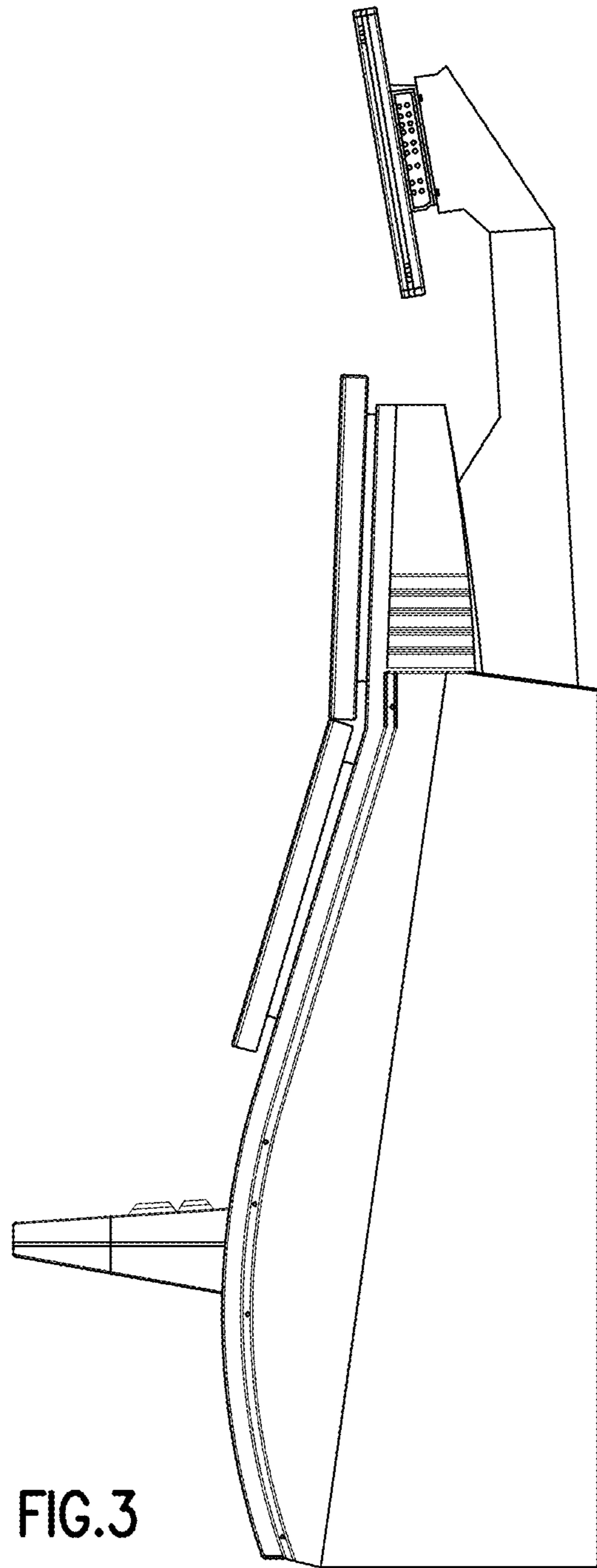


FIG.2



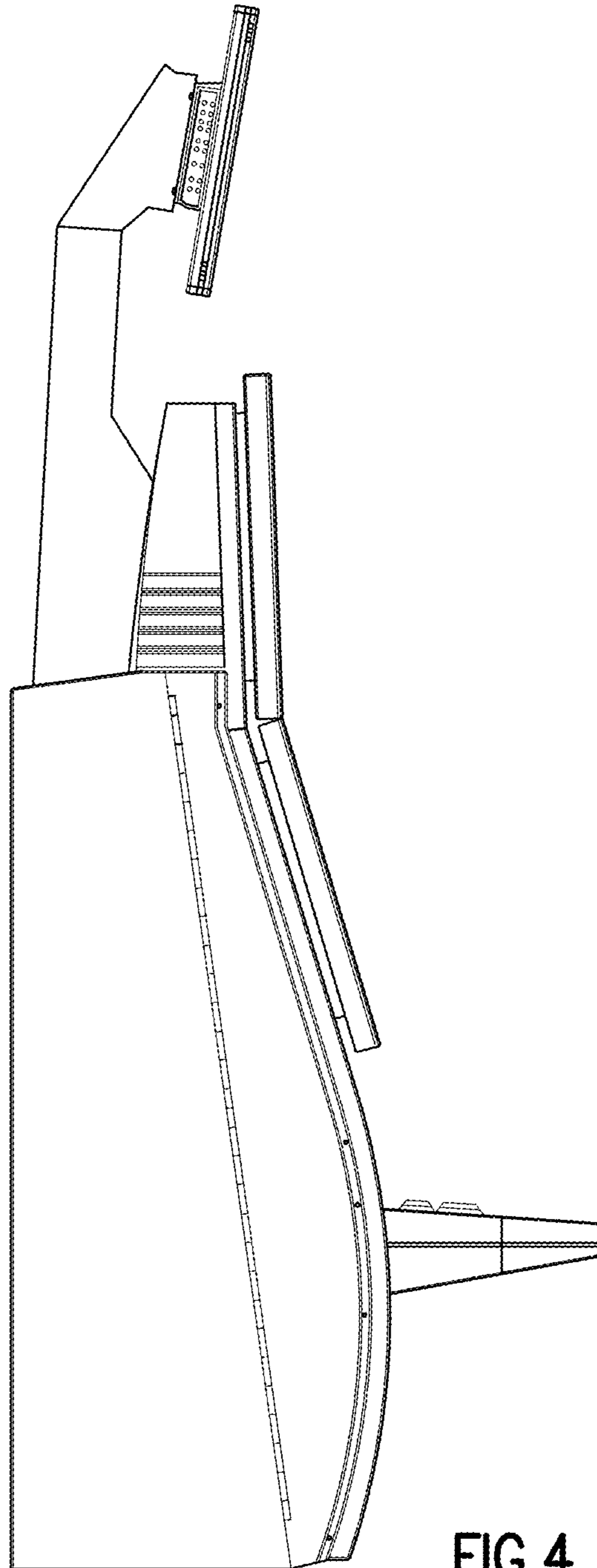


FIG. 4

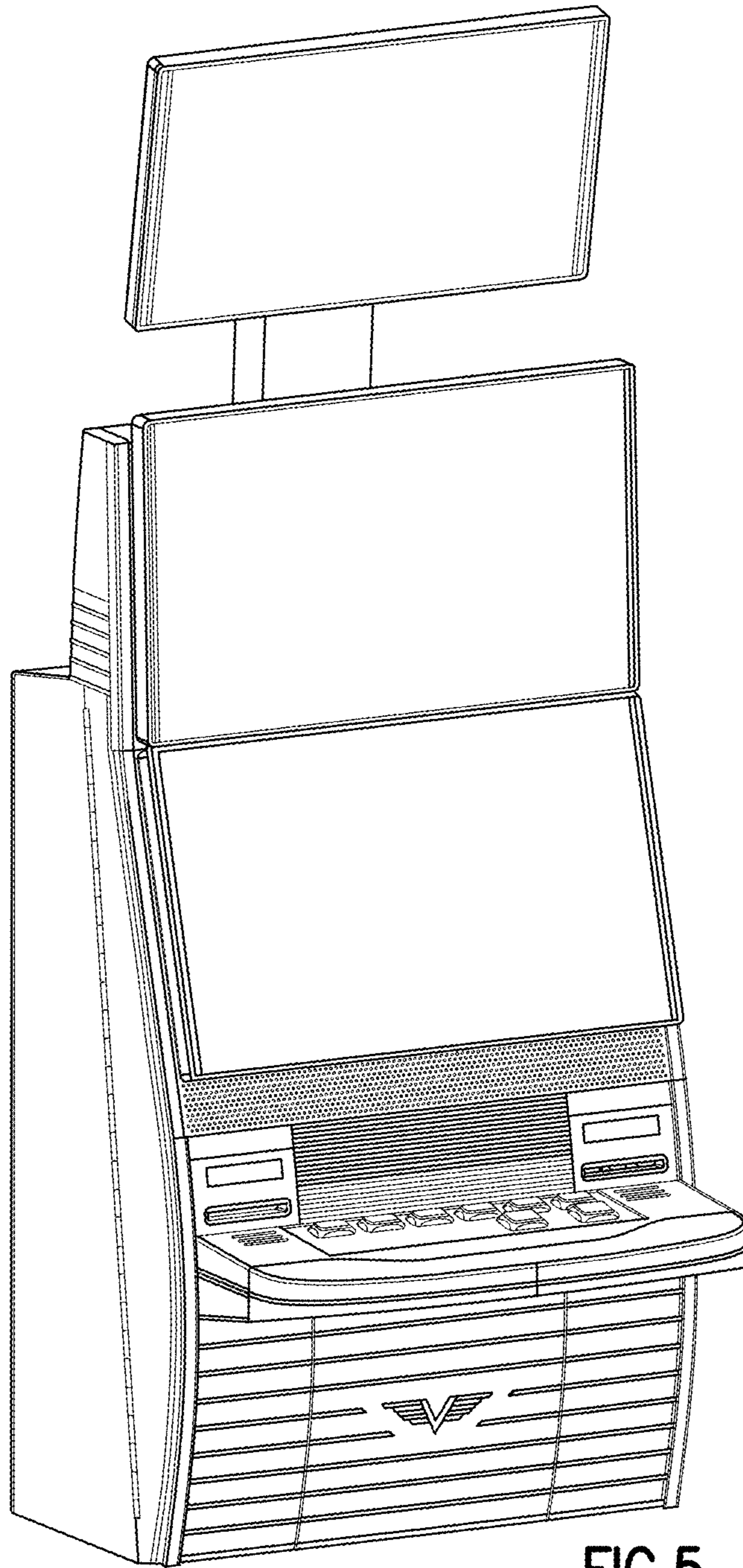


FIG.5

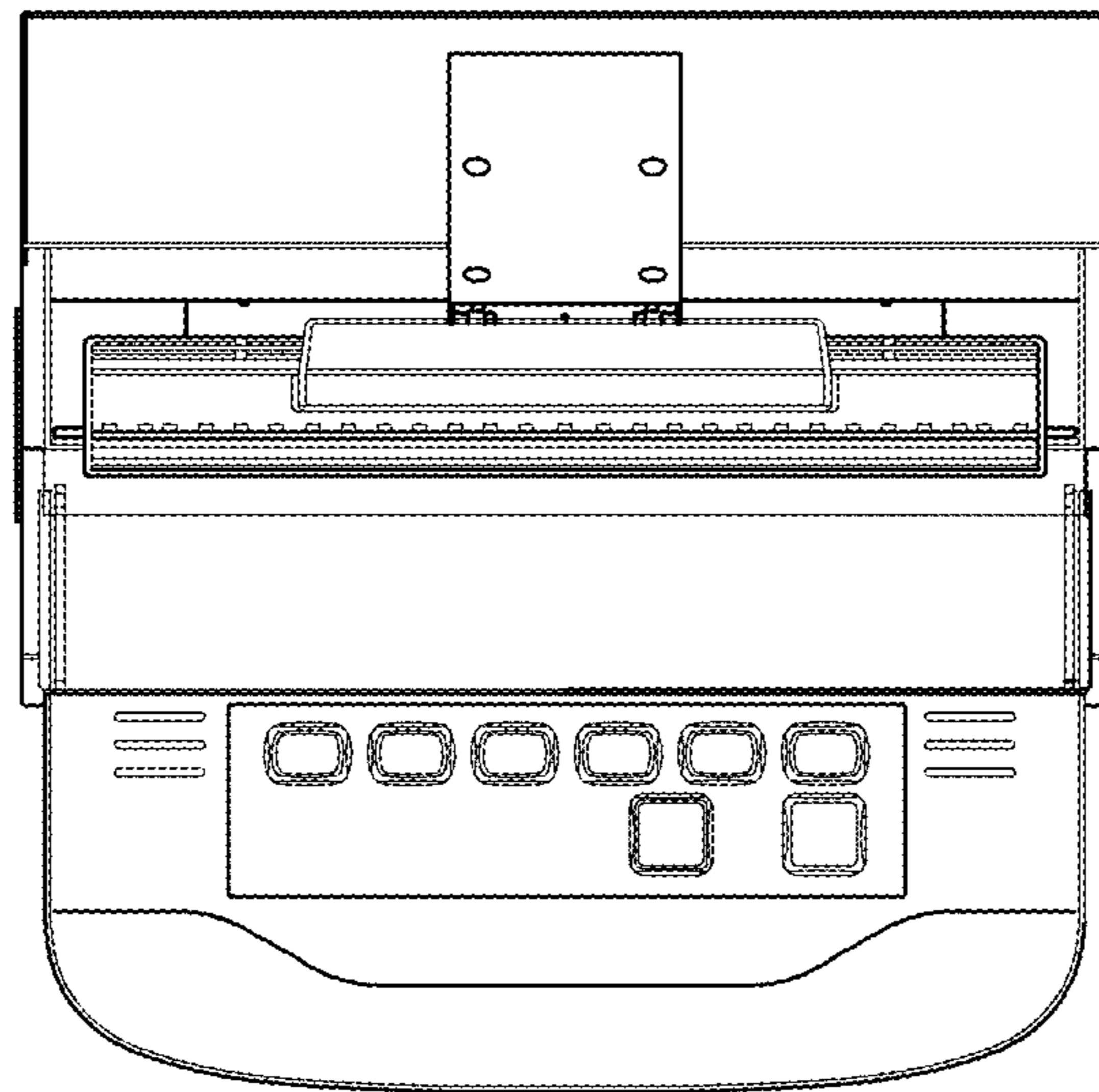


FIG.6