

US00D865065S

(12) **United States Design Patent** (10) **Patent No.:** **US D865,065 S**
Georgiadis et al. (45) **Date of Patent:** **** Oct. 29, 2019**

(54) **BALLISTIC PRESENTATION BOARD**
(71) Applicant: **SAFE PLACE SOLUTIONS LLC**,
Maple Heights, OH (US)
(72) Inventors: **Michael S. Georgiadis**, Lyndhurst, OH
(US); **Herbert C. Neides**, Gates Mills,
OH (US)

5,518,217 A 5/1996 Deutsch et al.
5,697,595 A 12/1997 Sperber
5,714,215 A 2/1998 Sheffield et al.
D401,625 S * 11/1998 Verbeek D19/114
D407,119 S * 3/1999 Kwan D20/21
5,941,713 A 8/1999 Wayner et al.
6,170,379 B1 1/2001 Taylor
D445,837 S * 7/2001 Waterhouse D20/40
(Continued)

(73) Assignee: **SAFE PLACE SOLUTION, LLC**,
Maple Heights, OH (US)

FOREIGN PATENT DOCUMENTS

(**) Term: **15 Years**

WO 2012018986 A1 2/2012
WO 2014127400 A1 8/2014

(21) Appl. No.: **29/644,465**

OTHER PUBLICATIONS

(22) Filed: **Apr. 18, 2018**

“Safe soloutio wonder-board”, posted Feb. 26, 2018 [online], [retrieved Apr. 10, 2019]. Retrieved from internet, https://www.youtube.com/watch?v=MsFIQsNbKx0&feature=youtu.be.*

(51) **LOC (12) Cl.** **21-01**

(52) **U.S. Cl.** **D21/306**; D19/113; D19/114
USPC **D21/306**; D19/113; D19/114

(Continued)

(58) **Field of Classification Search**
USPC D21/302, 303, 306, 322; D32/32, 156,
D32/157; 273/245, 348, 336–339,
273/352–353, 398–400, 402, 403, 407,
273/454; 206/505, 514; 473/197, 422,
473/434, 435, 454, 456, 594; D19/113,
D19/114; D20/10, 21, 27
CPC F41J 3/0004; A63B 69/36; A63B 63/08
See application file for complete search history.

Primary Examiner — Sandra S Snapp
Assistant Examiner — Mehri F Bajoul
(74) *Attorney, Agent, or Firm* — Pearne & Gordon LLP

(57) **CLAIM**

The ornamental design for a ballistic presentation board, as shown and described.

DESCRIPTION

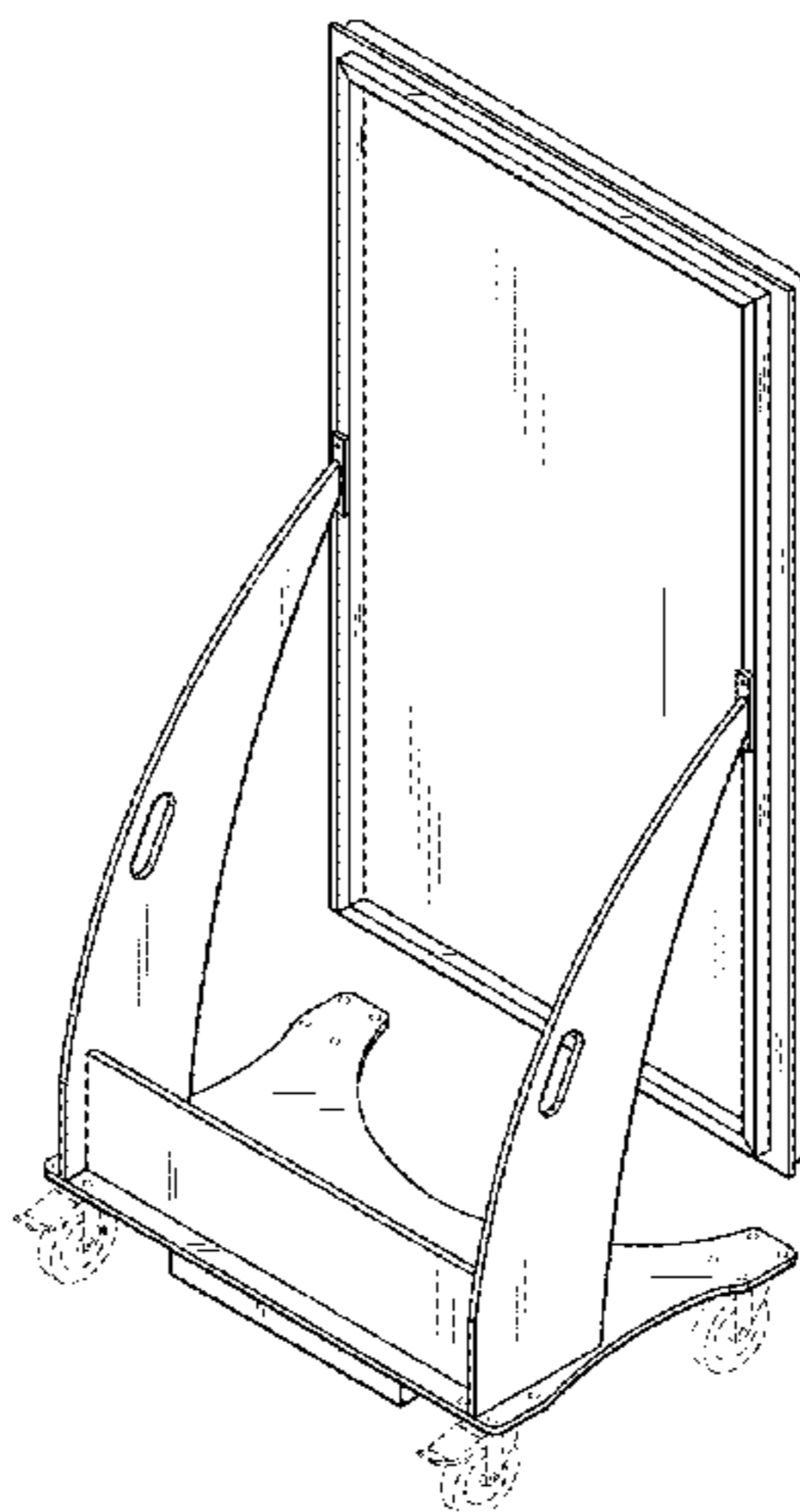
(56) **References Cited**

U.S. PATENT DOCUMENTS

641,683 A * 1/1900 Evans A47B 41/02
434/419
3,148,461 A * 9/1964 Johnson G09B 1/00
359/872
D221,191 S * 7/1971 Nutt D19/91
4,138,083 A 2/1979 Spiegel
4,596,372 A 6/1986 Ford
D284,875 S * 7/1986 Howard D16/241
D358,513 S * 5/1995 Hansen D6/708
5,501,603 A 3/1996 Mueller et al.

FIG. 1 is a back-right-top perspective view of a ballistic presentation board, showing our new design;
FIG. 2 is a top plan view thereof;
FIG. 3 is a bottom plan view thereof;
FIG. 4 is a right side elevational view thereof, the left side elevational view being a mirror image thereof;
FIG. 5 is a front elevational view thereof; and,
FIG. 6 is a back elevational view thereof.
The broken lines in the drawings represent unclaimed subject matter and form no part of the claimed design.

1 Claim, 2 Drawing Sheets



(56)

References Cited

U.S. PATENT DOCUMENTS

D450,776 S * 11/2001 Albrecht D20/10
 6,626,303 B1 9/2003 Moodie
 6,647,652 B1 11/2003 Seiber et al.
 6,837,809 B2 * 1/2005 Majumdar A63B 69/0002
 273/348
 6,941,691 B2 9/2005 Arko et al.
 6,969,037 B2 11/2005 Eby et al.
 D551,716 S * 9/2007 Diller D19/91
 D580,991 S * 11/2008 Smith D19/91
 D589,723 S * 4/2009 Zealer D6/683
 8,701,544 B2 4/2014 Peters et al.
 8,850,949 B1 10/2014 Lopez
 8,959,813 B2 * 2/2015 Denby A47F 5/10
 211/175
 9,027,810 B1 5/2015 Piersol
 D735,833 S * 8/2015 Winstead D22/113
 9,175,801 B2 * 11/2015 Adilman G09F 7/22
 9,526,330 B2 12/2016 Weijian
 9,669,650 B2 6/2017 Shen et al.
 9,908,363 B2 3/2018 Oh
 9,982,968 B2 5/2018 Thomas
 D822,109 S * 7/2018 Avallon D19/114

D837,296 S * 1/2019 Martin D19/114
 2005/0187036 A1 * 8/2005 Ziola A63B 63/00
 473/372
 2005/0288129 A1 * 12/2005 Lewis A63B 69/0002
 473/454
 2009/0029338 A1 1/2009 Kang
 2010/0292033 A1 * 11/2010 Sarver A63B 63/00
 473/431
 2012/0043723 A1 * 2/2012 Rakes A63B 63/00
 273/407
 2012/0152096 A1 6/2012 Peters
 2013/0323707 A1 12/2013 Lyons et al.
 2014/0199678 A1 7/2014 Tunis et al.
 2016/0003583 A1 1/2016 Harwood et al.

OTHER PUBLICATIONS

Global; globalindustrial.com; “Mobile Office Partition Panel with Whiteboard”, at least as early as Mar. 19, 2018, one page.
 Uline; “Dry Erase/Dry Erase Partition—4x6’ H-5860”; at least as early as Mar. 19, 2018; one page.
 Safe Place Solutions; “Functional & Practical Front-line Ballistic Protection Solutions”; Sep. 6, 2016; three pages.

* cited by examiner

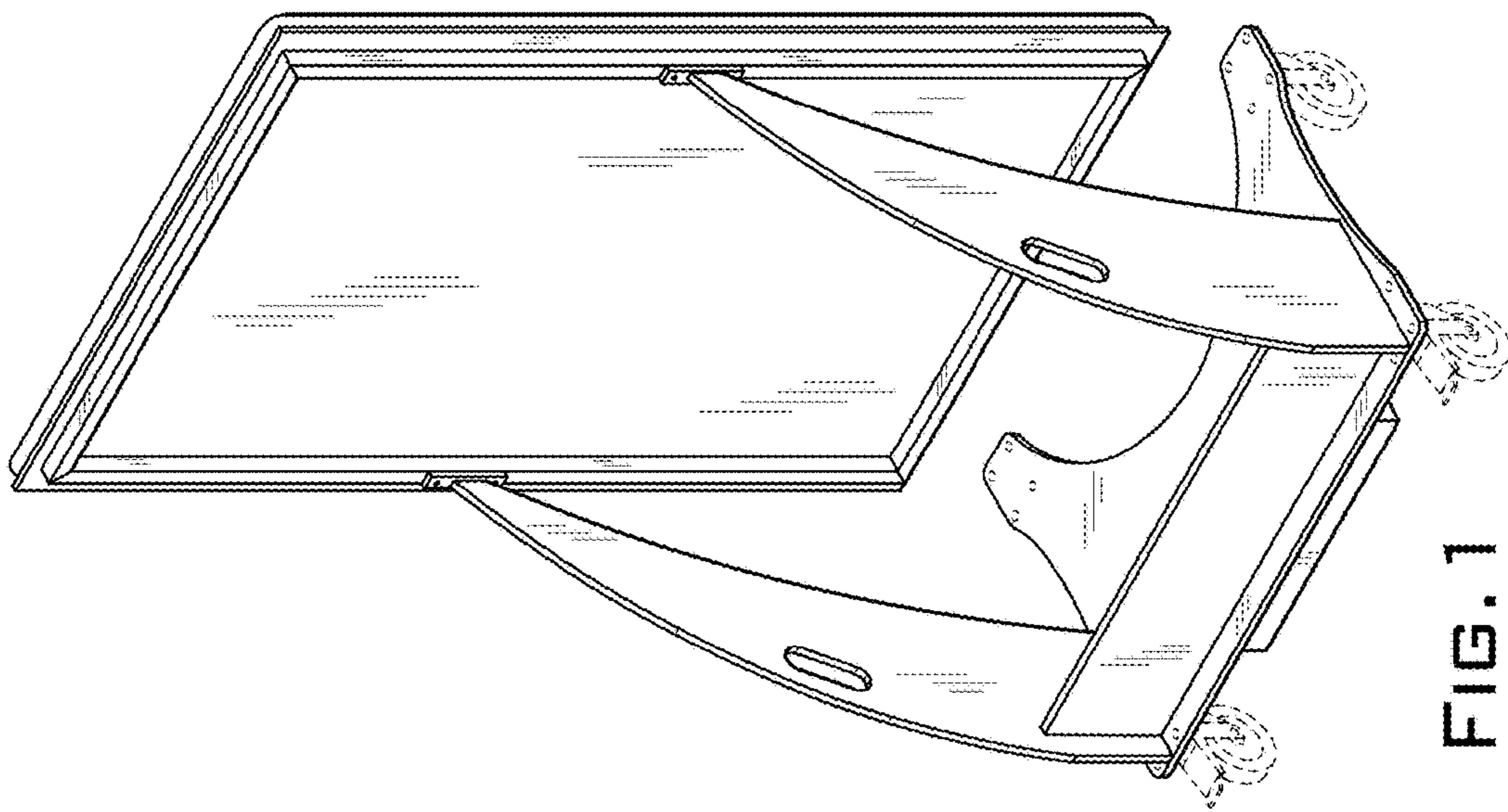


FIG. 1

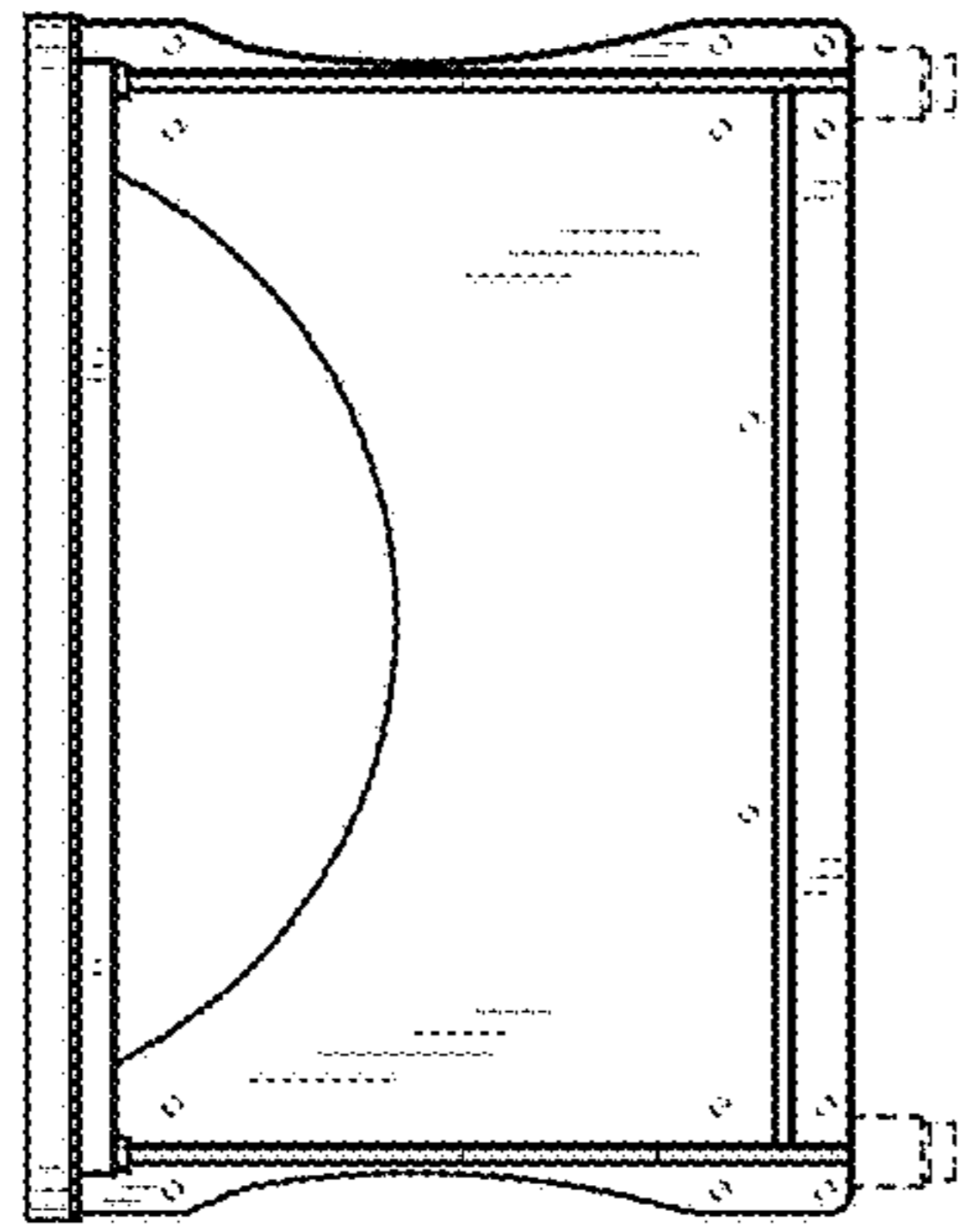


FIG. 2

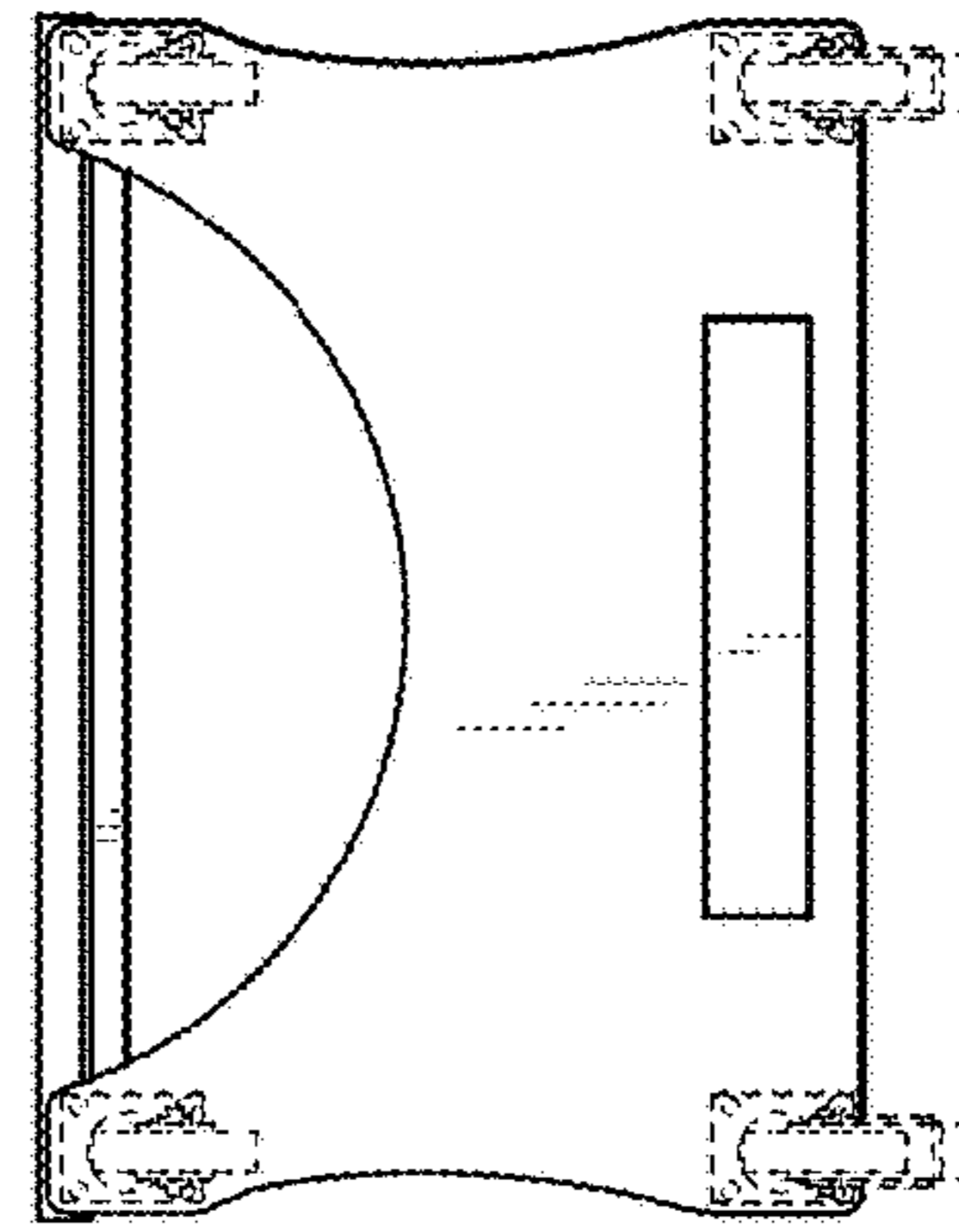


FIG. 3

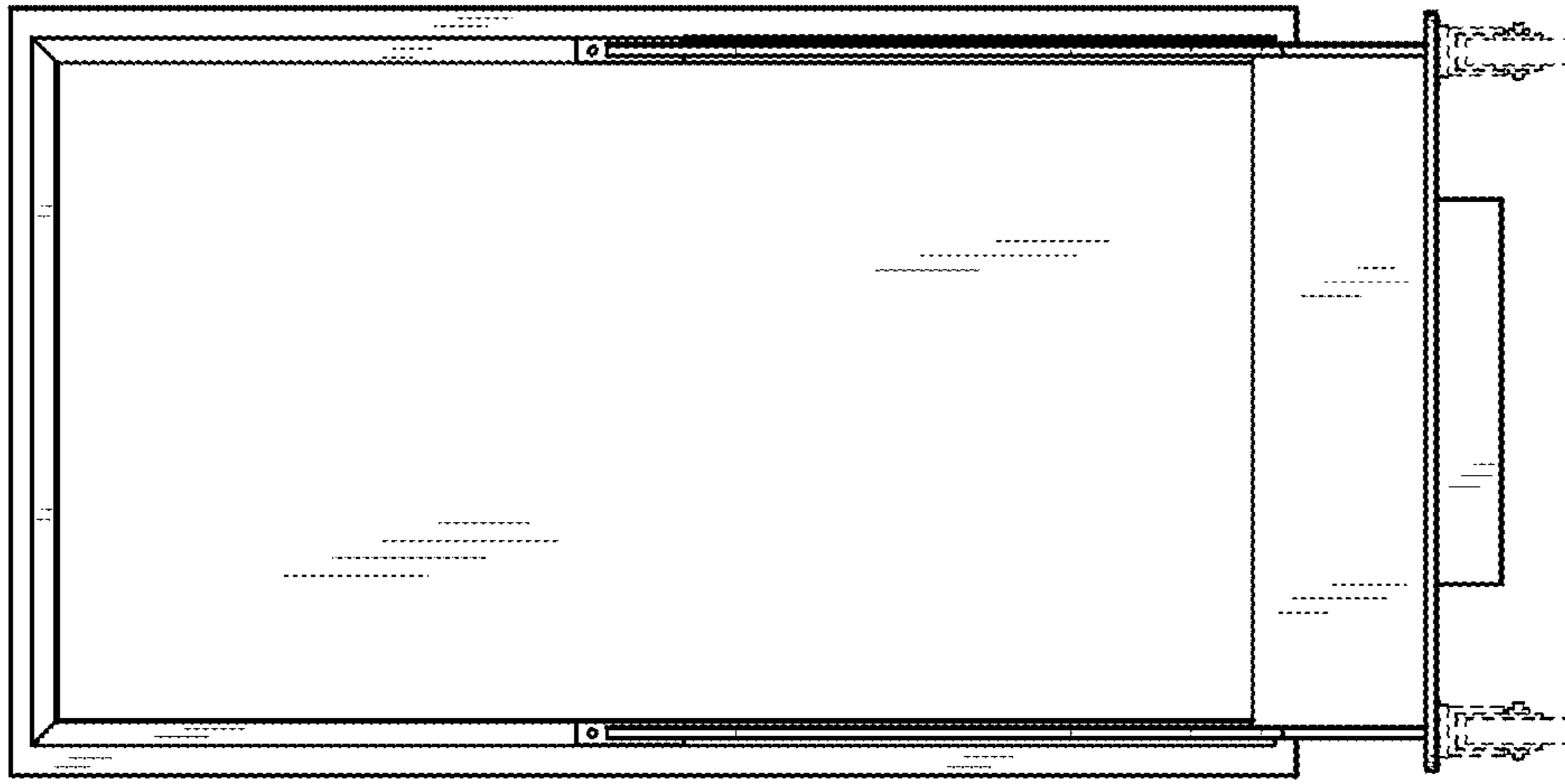


FIG. 6

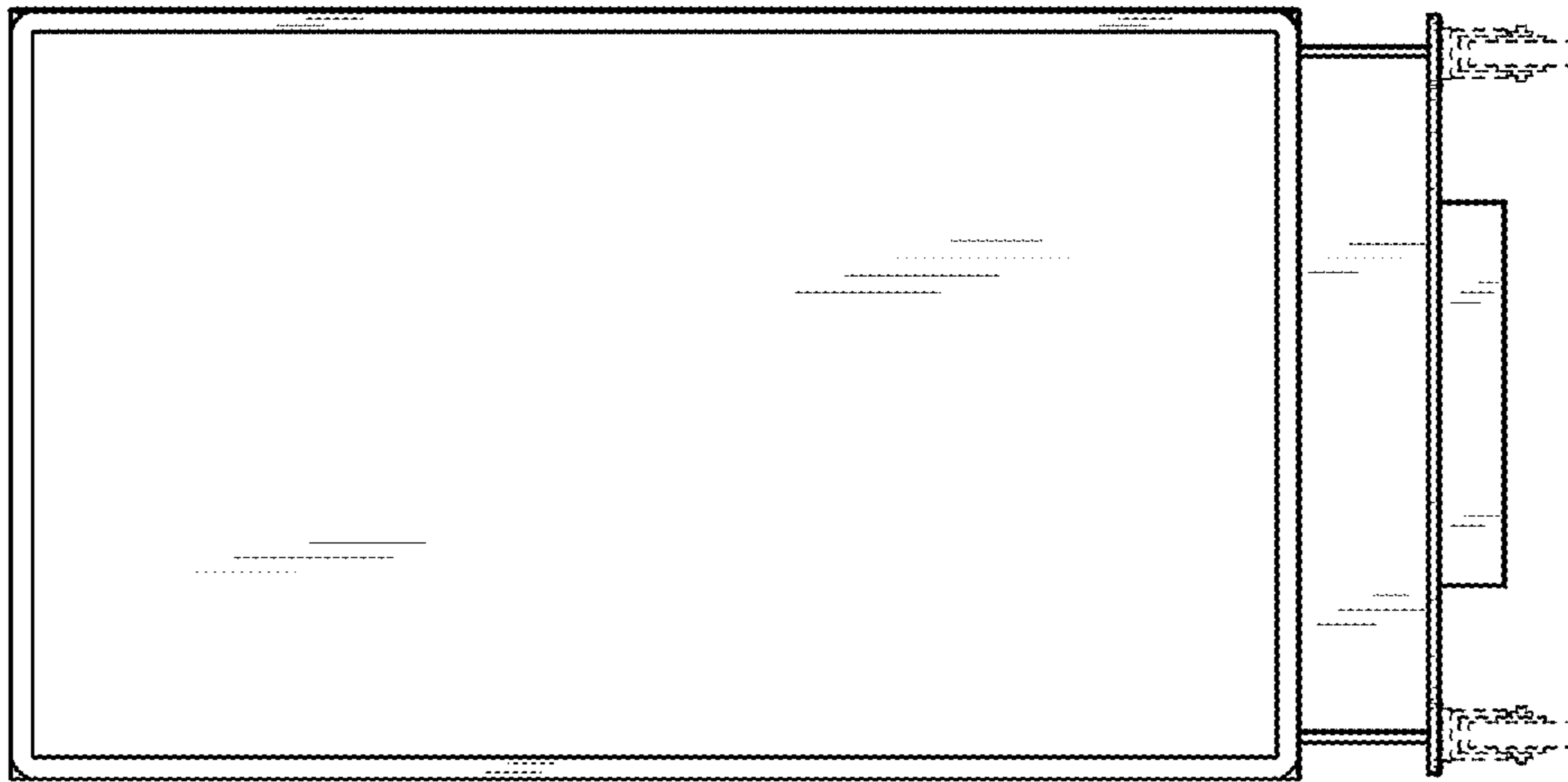


FIG. 5

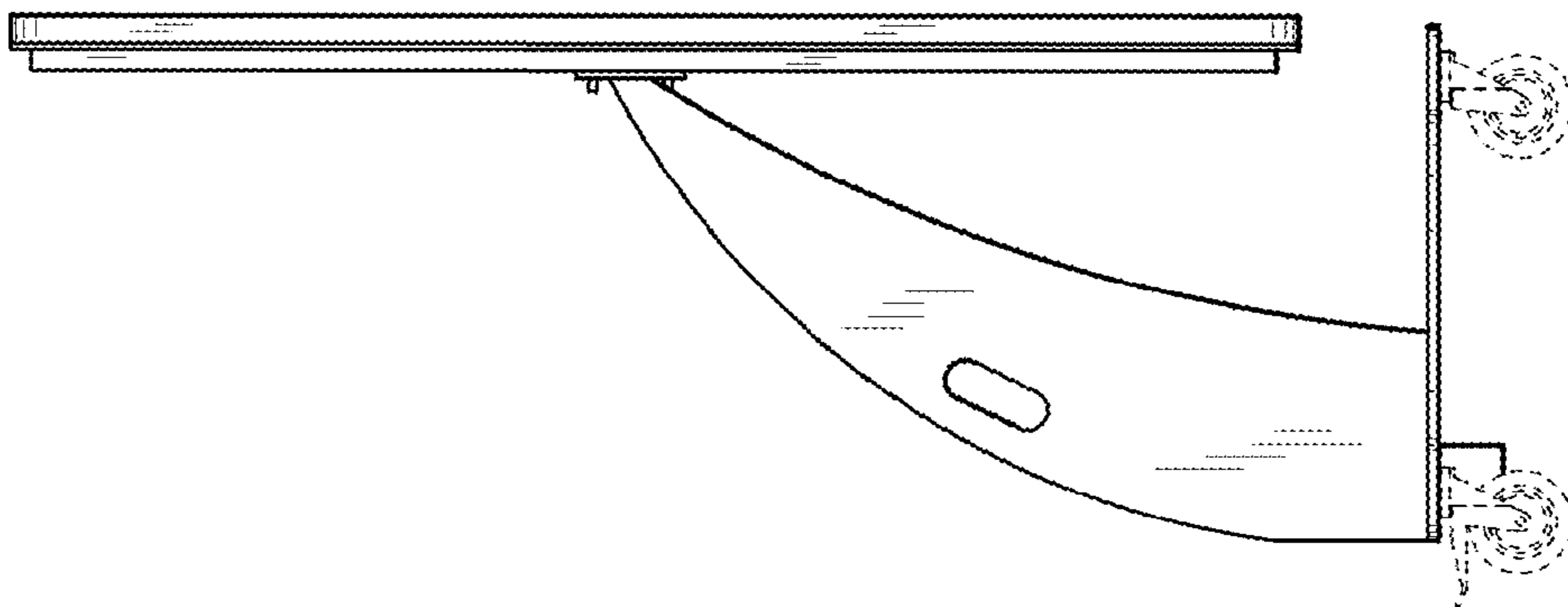


FIG. 4