



US00D865063S

(12) **United States Design Patent** (10) **Patent No.:** **US D865,063 S**
Kihl et al. (45) **Date of Patent:** **** Oct. 29, 2019**

(54) **DIGITAL SIGNAGE**

(71) Applicant: **LG ELECTRONICS INC.**, Seoul (KR)

(72) Inventors: **Hewon Kihl**, Seoul (KR); **Yongho Lee**, Seoul (KR); **Hyeyoung Hong**, Seoul (KR)

(73) Assignee: **LG ELECTRONICS INC.**, Seoul (KR)

(**) Term: **15 Years**

(21) Appl. No.: **35/504,820**

(22) Filed: **Sep. 21, 2017**

(80) **Hague Agreement Data**

Int. Filing Date: **Sep. 21, 2017**

Int. Reg. No.: **DM/100667**

Int. Reg. Date: **Sep. 21, 2017**

Int. Reg. Pub. Date: **Apr. 27, 2018**

(30) **Foreign Application Priority Data**

Mar. 21, 2017 (KR) 30-2017-0013076

(51) **LOC (12) Cl.** **20-02**

(52) **U.S. Cl.**
USPC **D20/42**

(58) **Field of Classification Search**

USPC D20/10, 19, 99, 16, 36, 42; D11/7, 9, D11/15, 40, 43, 79, 141, 142; D26/37, D26/52, 72, 81, 83, 88, 104, 118, 135, D26/138, 154

CPC G09F 1/00; G09F 1/02; G09F 2003/023; G09F 2003/026; G09F 2003/0264; G09F 7/00; G09F 7/12; G09F 7/14; G09F 7/16; G09F 2007/122; G09F 9/00; G09F 9/33; G09F 13/00; G09F 13/04; G09F 13/06; G09F 13/18; G09F 13/22; G09F 13/24; G09F 13/26; G09F 2013/1895; G09F 15/00

See application file for complete search history.

(56) **References Cited**

U.S. PATENT DOCUMENTS

938,710 A * 11/1909 Russell G09F 7/22 40/479

D74,187 S * 1/1928 Nash D20/10

D89,901 S * 5/1933 Lupica D20/16

(Continued)

OTHER PUBLICATIONS

Digital AV Magazine. Digital signage for the future of LG in ISE 2018: transparent, flexible and without edges. Feb. 8, 2018. <URL: <https://www.digitalavmagazine.com/en/2018/02/08/lg-exhibe-carteleria-del-futuro-ise-2018/>>. (Year: 2018).*

(Continued)

Primary Examiner — George D. Kirschbaum

Assistant Examiner — Darcey E Gottschalk

(74) *Attorney, Agent, or Firm* — Birch, Stewart, Kolasch & Birch, LLP

(57) **CLAIM**

The ornamental design for a digital signage, as shown and described.

DESCRIPTION

1. Digital signage

1.1 : Perspective

1.2 : Front

1.3 : Back

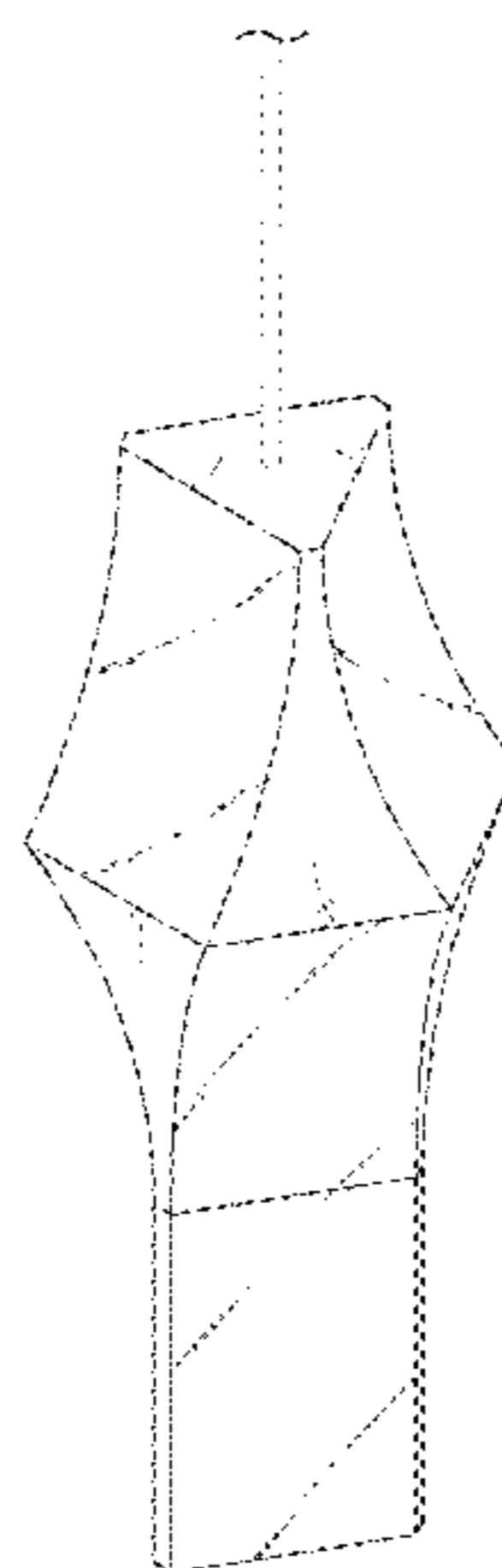
1.4 : Left, the right being a mirror image

1.5 : Top

1.6 : Bottom

The broken lines depict portions of a digital signage that form no part of the claimed design. The digital signage is shown with a symbolic break in the broken lines. The appearance of any portion of the article between the break lines forms no part of the claimed design.

1 Claim, 6 Drawing Sheets



(56)

References Cited

U.S. PATENT DOCUMENTS

D98,139 S * 1/1936 Bruner D11/15
D137,173 S * 2/1944 Buffenbarger D11/137
D206,178 S * 11/1966 Eckert D26/81
D237,003 S * 9/1975 Jahandideh 52/DIG. 10
D276,446 S * 11/1984 Whitford D20/42
D312,316 S * 11/1990 Molony D26/37
D370,285 S * 5/1996 Widdup D10/21
D476,764 S * 7/2003 Khovaylo D10/104.1
D503,011 S * 3/2005 Schonbek D26/154
D531,344 S * 10/2006 House D26/118
D534,670 S * 1/2007 Chengfeng D26/37
D565,235 S * 3/2008 Smith D26/118
D697,662 S * 1/2014 Patterson D26/118
D807,563 S * 1/2018 Amato D26/88
D825,816 S * 8/2018 Sonneman D26/88
D825,817 S * 8/2018 Sonneman D26/88
D825,818 S * 8/2018 Sonneman D26/88
D826,460 S * 8/2018 Velez D26/88
D831,117 S * 10/2018 Yoon D20/10

OTHER PUBLICATIONS

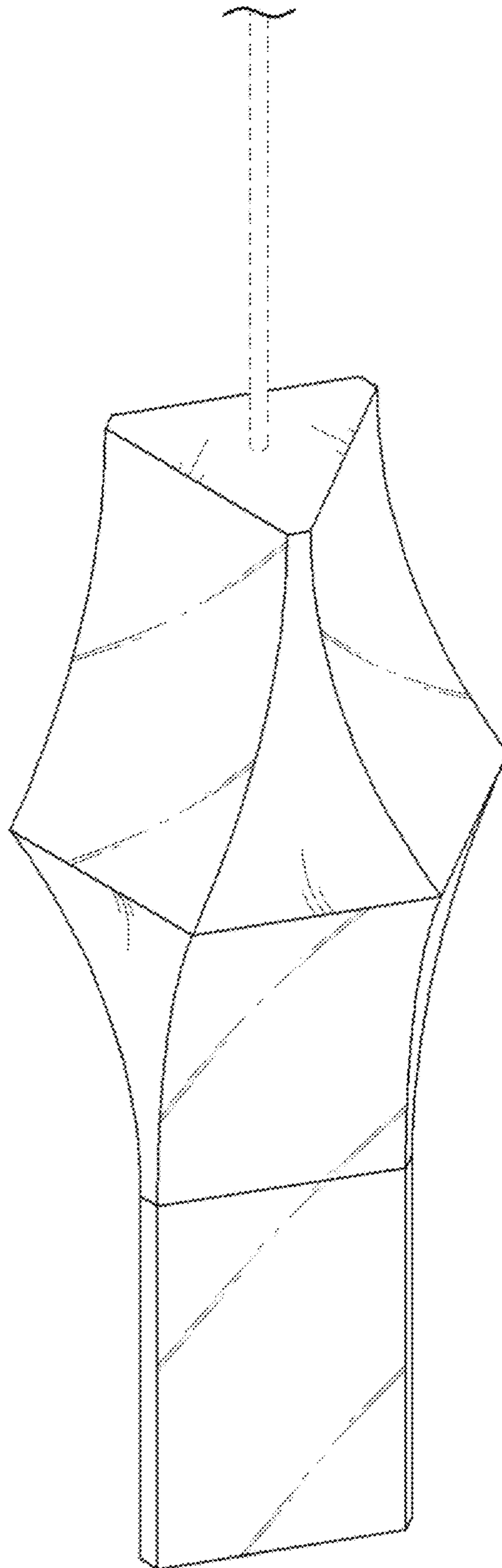
You Sense. Lg Oled Commercial Displays Lg Us Business. 2018.
<URL: <http://yousense.info/6c67/lg-oled-commercial-displays-lg-us-business.html>>. (Year: 2018).*

Get Your Image. Ultra-Thin, Ultra High Definitio. No date specified.
<URL:<http://getyourimage.club/resize-january-18.html>>. (Year: 0).*

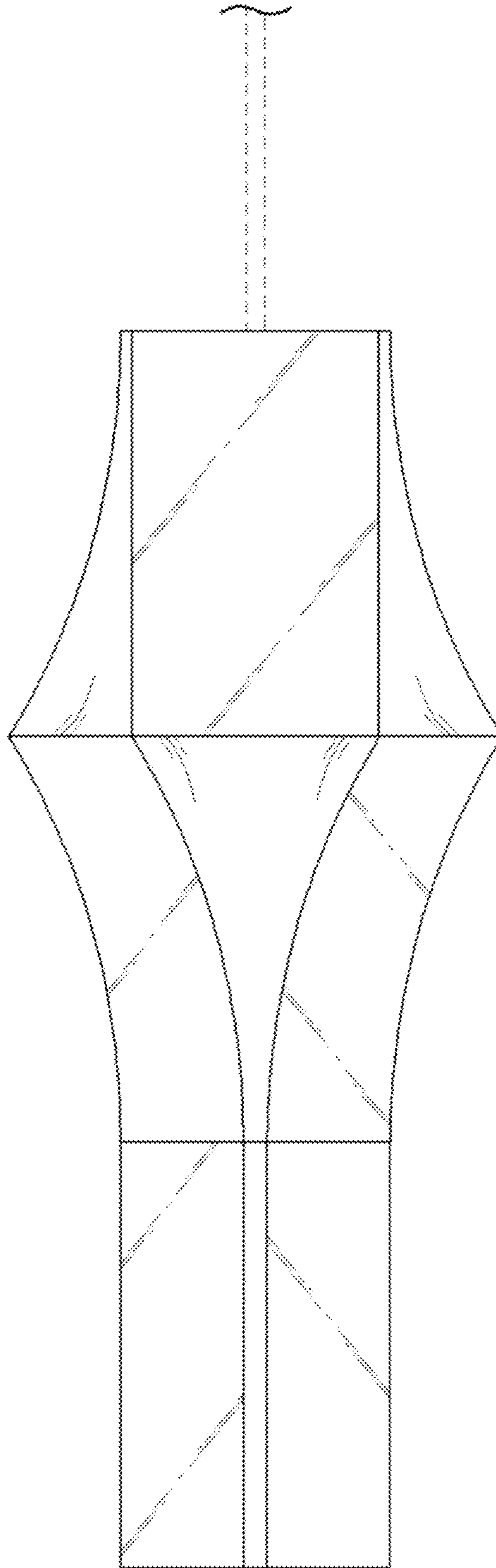
LG. Get Inspired with LG Lookbooks. 2019. <URL:<https://www.lg.com/us/business/commercial-display/lookbook>>. (Year: 2019).*

* cited by examiner

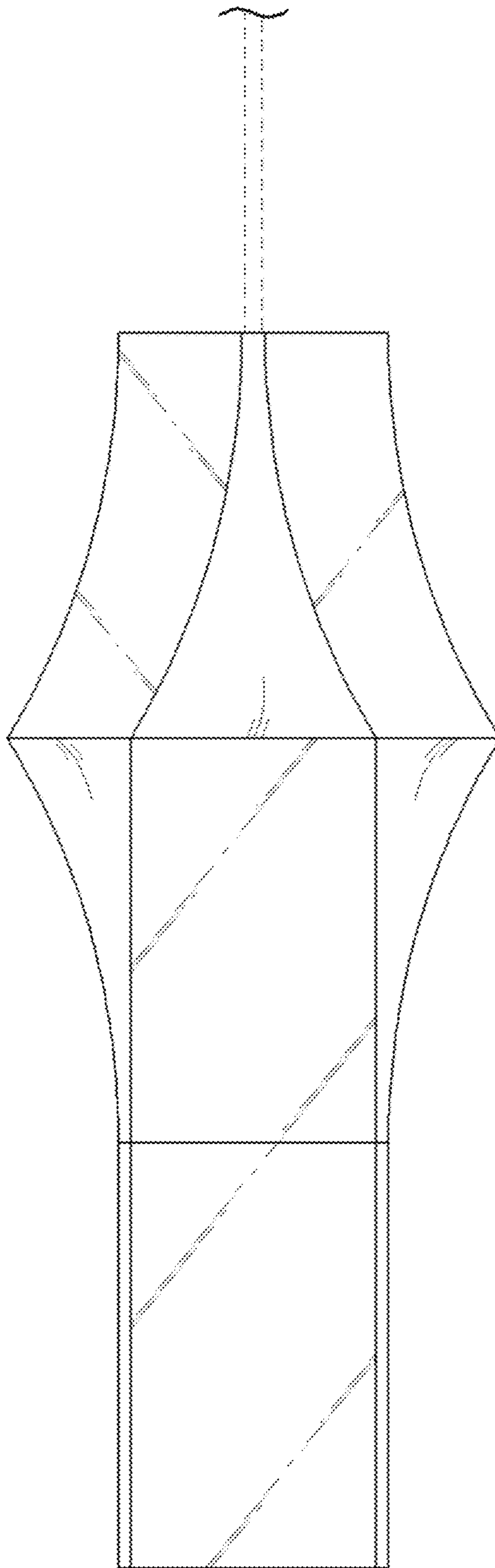
1.1



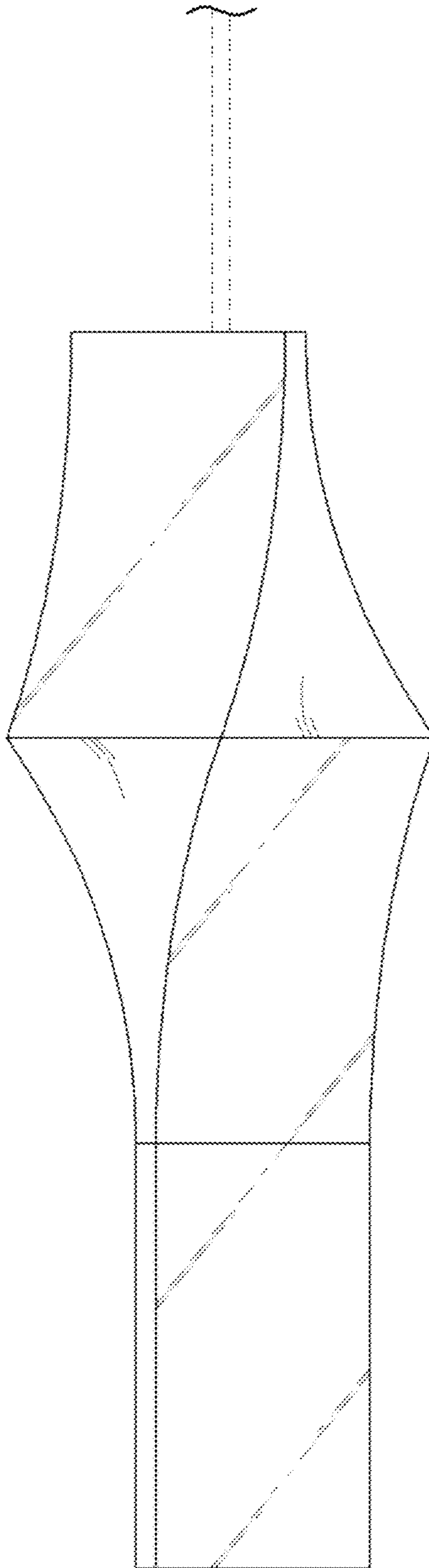
1.2



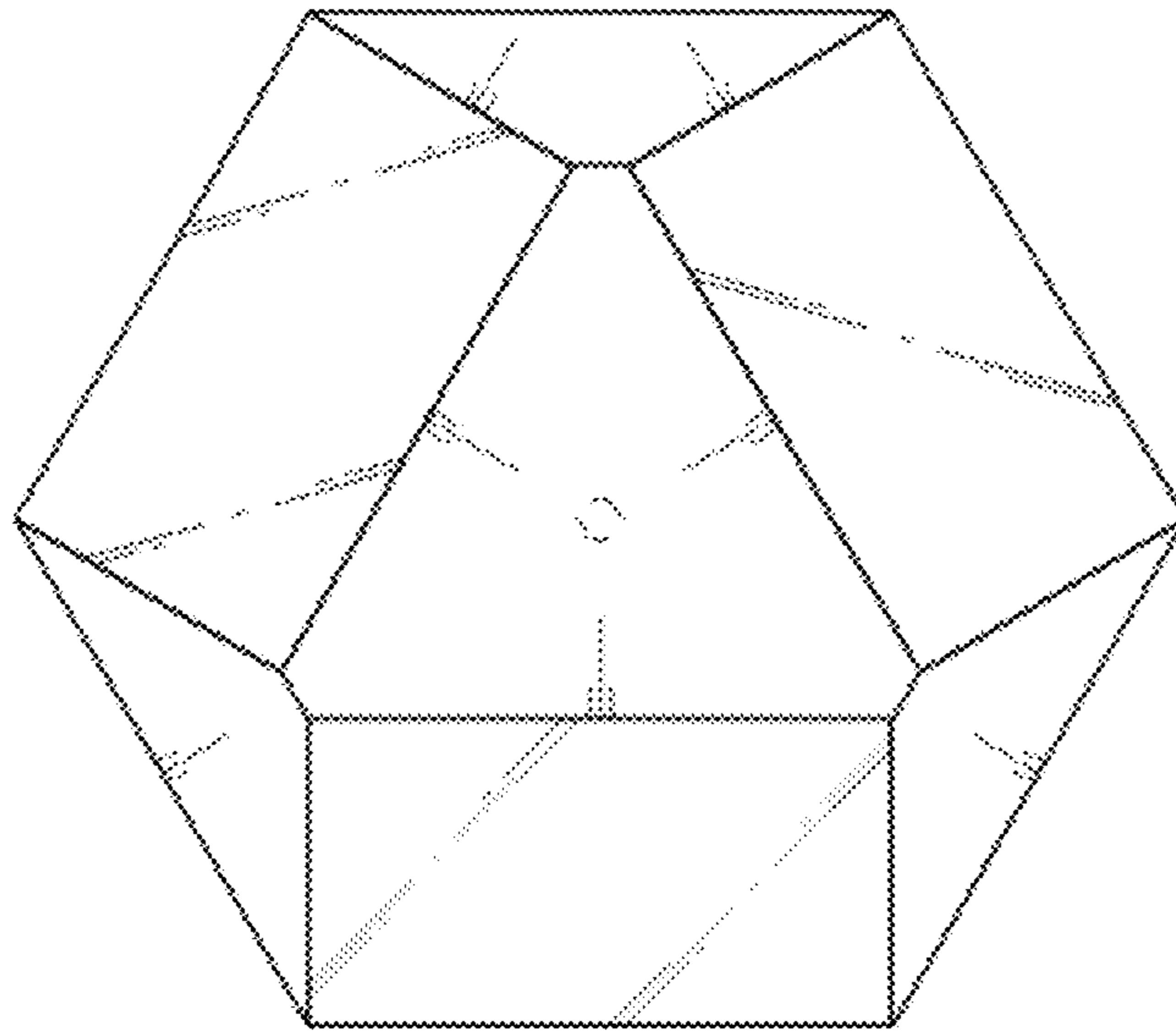
1.3



1.4



1.5



1.6

