



US00D865062S

(12) **United States Design Patent** (10) **Patent No.:** **US D865,062 S**  
**Kihl et al.** (45) **Date of Patent:** **\*\* Oct. 29, 2019**

(54) **DIGITAL SIGNAGE**

(71) Applicant: **LG ELECTRONICS INC.**, Seoul (KR)  
(72) Inventors: **Hewon Kihl**, Seoul (KR); **Yongho Lee**, Seoul (KR); **Hyeyoung Hong**, Seoul (KR)  
(73) Assignee: **LG ELECTRONICS INC.**, Seoul (KR)

(\*\*) Term: **15 Years**

(21) Appl. No.: **35/504,806**

(22) Filed: **Sep. 21, 2017**

(80) **Hague Agreement Data**

Int. Filing Date: **Sep. 21, 2017**  
Int. Reg. No.: **DM/100665**  
Int. Reg. Date: **Sep. 21, 2017**  
Int. Reg. Pub. Date: **Apr. 27, 2018**

(30) **Foreign Application Priority Data**

Mar. 21, 2017 (KR) ..... 30-2017-0013077

(51) **LOC (12) Cl.** ..... **20-02**

(52) **U.S. Cl.**  
USPC ..... **D20/42**

(58) **Field of Classification Search**

USPC ..... D20/10, 19, 99, 16, 36, 42; D11/7, 9, D11/15, 40, 43, 79, 141, 142; D26/37, D26/52, 72, 81, 83, 88, 104, 118, 135, D26/138, 154  
CPC ..... G09F 1/00; G09F 1/02; G09F 2003/023; G09F 2003/026; G09F 2003/0264; G09F 7/00; G09F 7/12; G09F 7/14; G09F 7/16; G09F 2007/122; G09F 9/00; G09F 9/33; G09F 13/00; G09F 13/04; G09F 13/06; G09F 13/18; G09F 13/22; G09F 13/24; G09F 13/26; G09F 2013/1895; G09F 15/00

See application file for complete search history.

(56) **References Cited**

U.S. PATENT DOCUMENTS

938,710 A \* 11/1909 Russell ..... G09F 7/22 40/479  
D74,187 S \* 1/1928 Nash ..... D20/10  
D89,901 S \* 5/1933 Lupica ..... D20/16  
(Continued)

OTHER PUBLICATIONS

Digital AV Magazine. Digital signage for the future of LG in ISE 2018: transparent, flexible and without edges. Feb. 8, 2018. <URL: <https://www.digitalavmagazine.com/en/2018/02/08/lg-exhibe-carteleria-del-futuro-ise-2018/>>. (Year: 2018).\*

(Continued)

*Primary Examiner* — George D. Kirschbaum  
*Assistant Examiner* — Darcey E Gottschalk  
(74) *Attorney, Agent, or Firm* — Birch, Stewart, Kolasch & Birch, LLP

(57) **CLAIM**

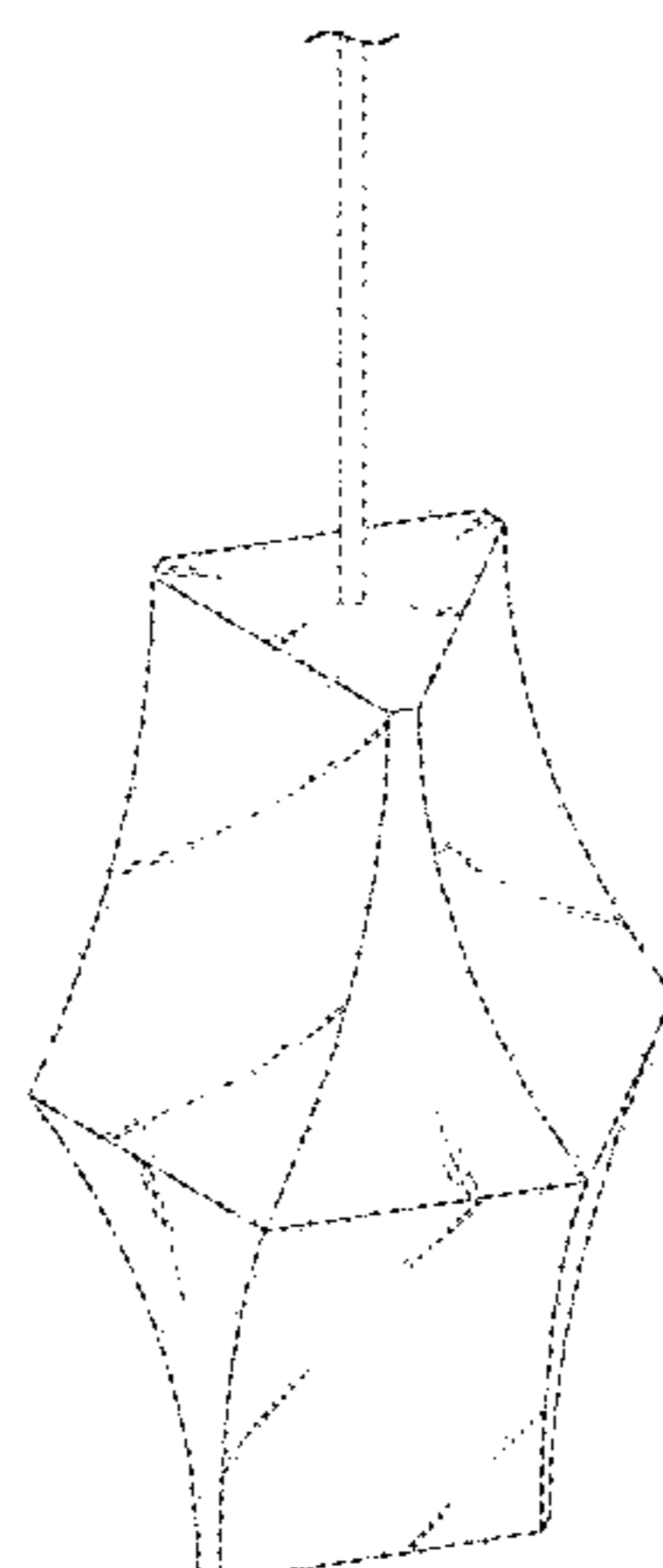
The ornamental design for a digital signage, as shown and described.

**DESCRIPTION**

- 1. Digital signage
- 1.1 : Perspective
- 1.2 : Front
- 1.3 : Back
- 1.4 : Left, the right being a mirror image
- 1.5 : Top
- 1.6 : Bottom

The broken lines depict portions of a digital signage that form no part of the claimed design. The digital signage is shown with a symbolic break in the broken lines. The appearance of any portion of the article between the break lines forms no part of the claimed design.

**1 Claim, 6 Drawing Sheets**



(56)

**References Cited**

## U.S. PATENT DOCUMENTS

D98,139 S \* 1/1936 Bruner ..... D11/15  
D137,173 S \* 2/1944 Buffenbarger ..... D11/137  
D206,178 S \* 11/1966 Eckert ..... D26/81  
D237,003 S \* 9/1975 Jahandideh ..... 52/DIG. 10  
D276,446 S \* 11/1984 Whitford ..... D20/42  
D312,316 S \* 11/1990 Molony ..... D26/37  
D370,285 S \* 5/1996 Widdup ..... D10/21  
D476,764 S \* 7/2003 Khovaylo ..... D10/104.1  
D503,011 S \* 3/2005 Schonbek ..... D26/154  
D531,344 S \* 10/2006 House ..... D26/118  
D534,670 S \* 1/2007 Chengfeng ..... D26/37  
D565,235 S \* 3/2008 Smith ..... D26/118  
D697,662 S \* 1/2014 Patterson ..... D26/118  
D807,563 S \* 1/2018 Amato ..... D26/88  
D825,816 S \* 8/2018 Sonneman ..... D26/88  
D825,817 S \* 8/2018 Sonneman ..... D26/88  
D825,818 S \* 8/2018 Sonneman ..... D26/88  
D826,460 S \* 8/2018 Velez ..... D26/88  
D831,117 S \* 10/2018 Yoon ..... D20/10

## OTHER PUBLICATIONS

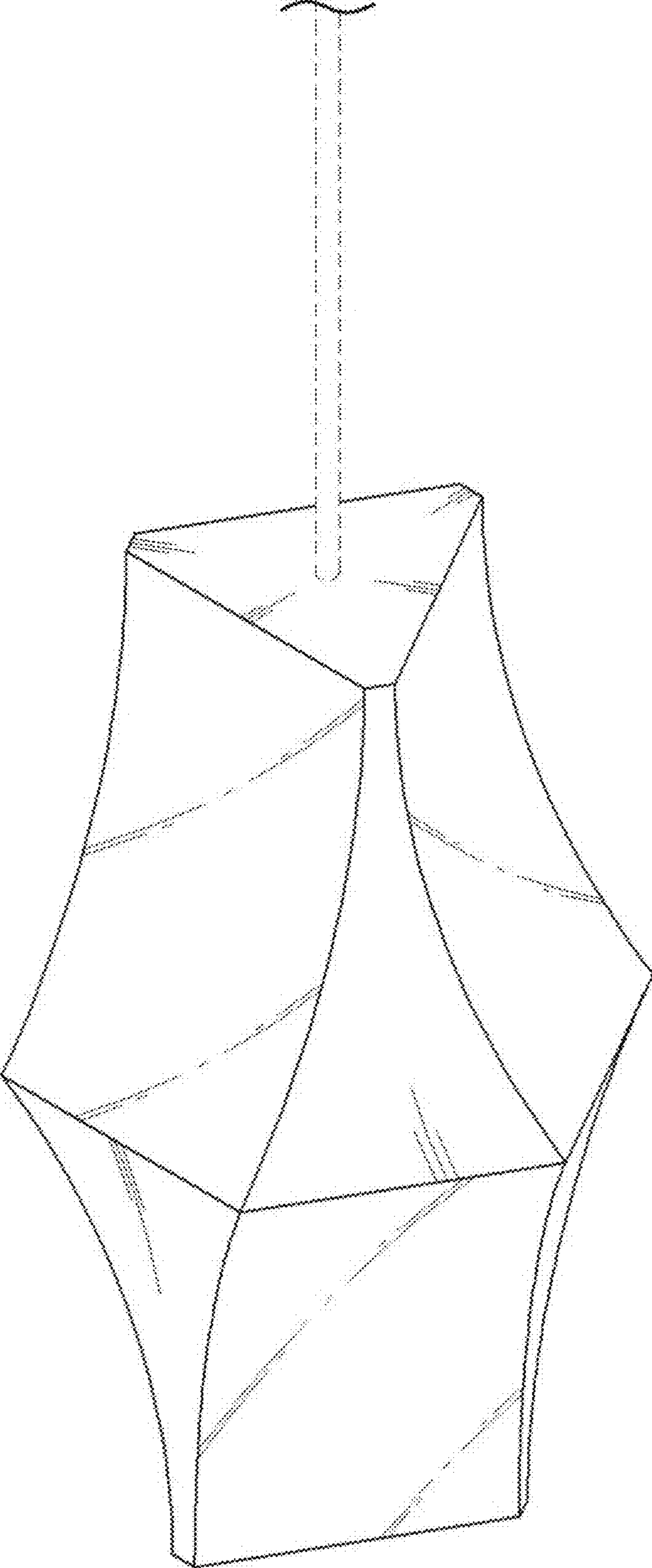
You Sense. Lg Oled Commercial Displays Lg Us Business. 2018.  
<URL: <http://yousense.info/6c67/lg-oled-commercial-displays-lg-us-business.html>>. (Year: 2018).\*

Get Your Image. Ultra-Thin, Ultra High Definitio. No date specified.  
<URL:<http://getyourimage.club/resize-january-18.html>>. (Year: 0).\*

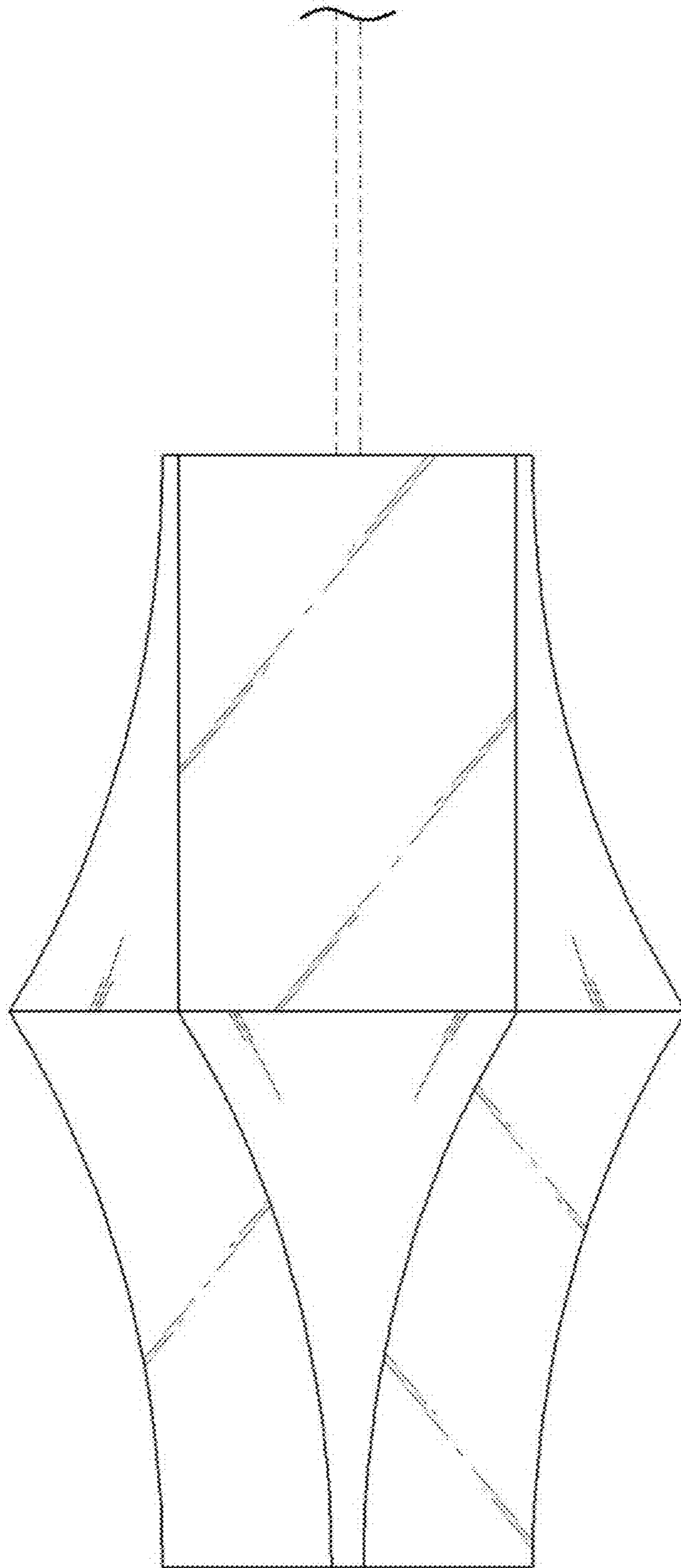
LG. Get Inspired with LG Lookbooks. 2019. <URL:<https://www.lg.com/us/business/commercial-display/lookbook>>. (Year: 2019).\*

\* cited by examiner

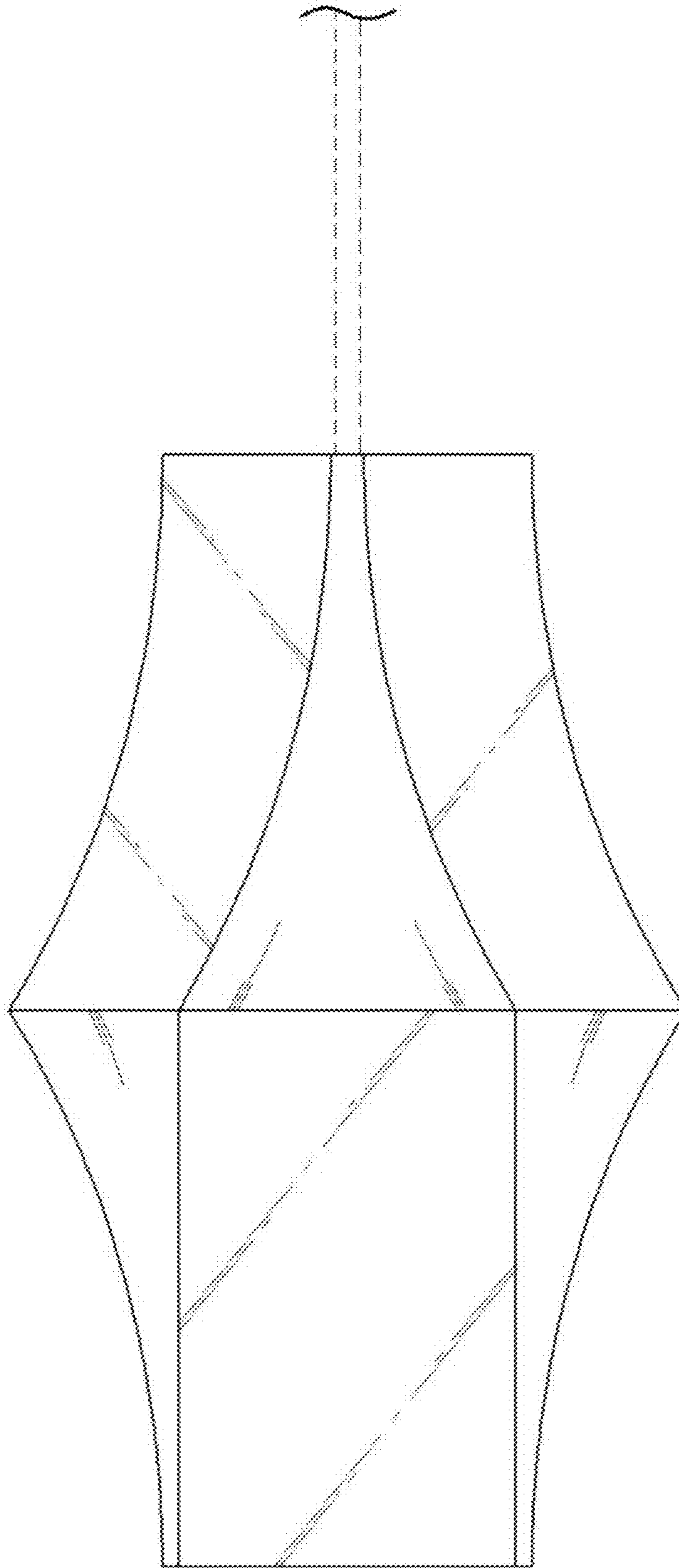
1.1



1.2

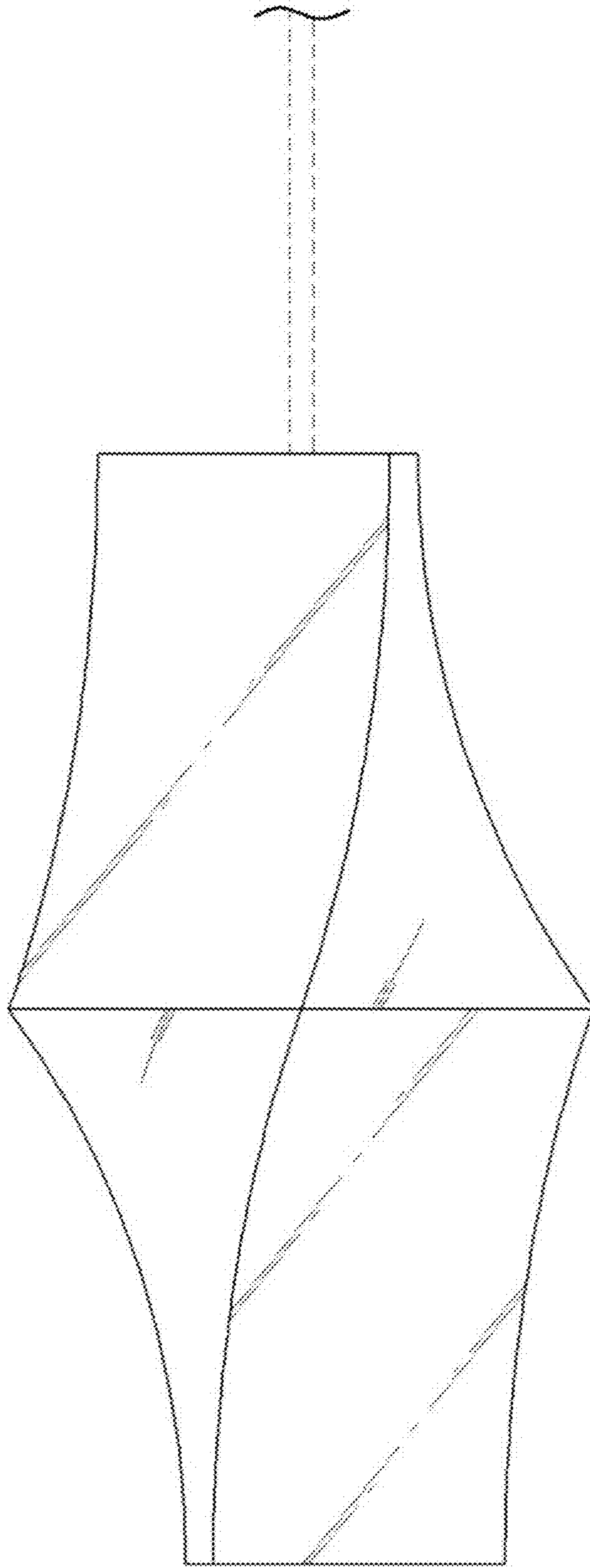


1.3

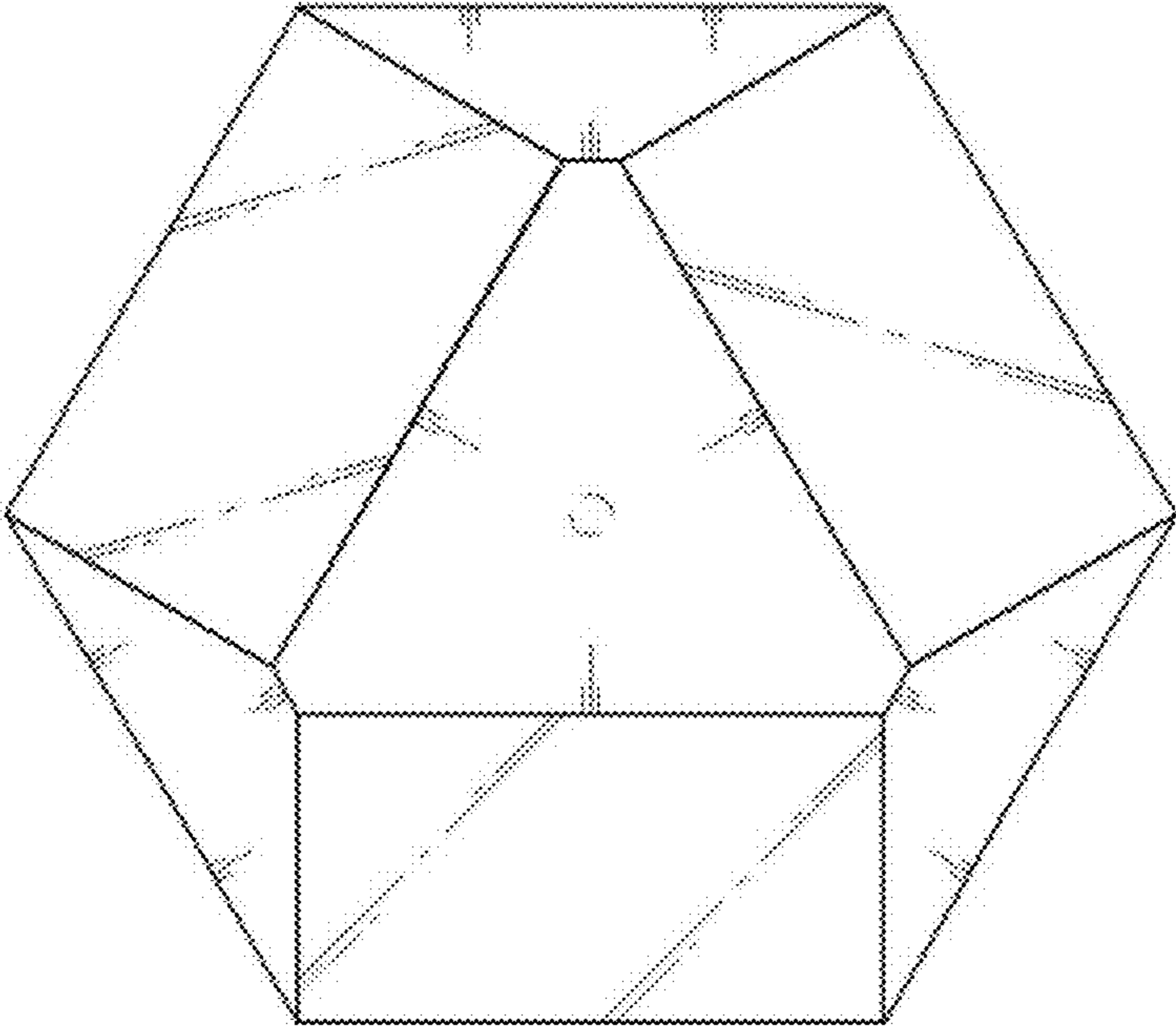




1.4



1.5



1.6

