



US00D865060S

(12) **United States Design Patent** (10) **Patent No.:** **US D865,060 S**
Chang (45) **Date of Patent:** **** Oct. 29, 2019**

(54) **BILL ACCEPTOR** 5,495,929 A * 3/1996 Batalianets G07D 7/04
194/207
(71) Applicant: **INTERNATIONAL CURRENCY** D404,075 S * 1/1999 Hatamachi D20/8
TECHNOLOGIES CORPORATION, D450,907 S * 11/2001 Chou D99/34
Taipei (TW) D476,688 S * 7/2003 Yu D20/8
(72) Inventor: **Chia-Min Chang,** Taipei (TW) D477,030 S * 7/2003 Kolls D20/8
D477,902 S * 7/2003 Bergeron D18/3.3
D483,057 S * 12/2003 Bergeron D18/3.3
(73) Assignee: **International Currency Technologies** D490,101 S * 5/2004 Bergeron D18/3.3
Corporation, Taipei (TW) D490,839 S * 6/2004 Bergeron D18/3.3
(Continued)

(**) Term: **15 Years**

(21) Appl. No.: **29/632,055**

(22) Filed: **Jan. 4, 2018**

(30) **Foreign Application Priority Data**

Sep. 19, 2017 (TW) 106305539

(51) **LOC (12) Cl.** **20-01**

(52) **U.S. Cl.**
USPC **D20/8; D10/97**

(58) **Field of Classification Search**

USPC D18/3.1, 3.2, 3.3, 12, 12.1, 46, 47, 49;
D14/383, 385, 386, 901, 902; D99/28,
D99/34, 36, 43; D10/46, 97; D20/1, 8,
D20/9; D19/78, 86, 99, 100
CPC ... G07F 7/00; G07F 7/04; G07F 1/044; G07F
9/026; G07F 19/20; G07F 19/202; G07F
19/205; G07D 7/121; G07D 7/161; G07D
11/00; G07D 11/0018; G07D 11/0021;
G07D 11/0024; G07D 11/0027; G07D
11/003; G07D 11/0054; G07D 11/0084;
G07D 11/0087; G07D 13/00; G07D
2211/00; G02B 6/0051; G02B 6/0055;
G02B 6/0075; B65H 29/006; B65H 29/46
See application file for complete search history.

(56) **References Cited**

U.S. PATENT DOCUMENTS

5,209,395 A * 5/1993 Zouzoulas G07D 11/0009
109/45
D359,765 S * 6/1995 Izawa D20/9

OTHER PUBLICATIONS

BS7 Installation Guide H6505A-R. ictgroup.com. [online pdf] 24
pgs. Copyright 2013. [Retrieved on Oct. 4, 2018] [http://www.ictgroup.com.tw/download/Installation%20Guide/BS7%20Installation%20Guide%20\(EN\)%20H6505A-R.pdf](http://www.ictgroup.com.tw/download/Installation%20Guide/BS7%20Installation%20Guide%20(EN)%20H6505A-R.pdf).*

(Continued)

Primary Examiner — Marie D. Fast Horse

(74) *Attorney, Agent, or Firm* — Muncy, Geissler, Olds &
Lowe, P.C.

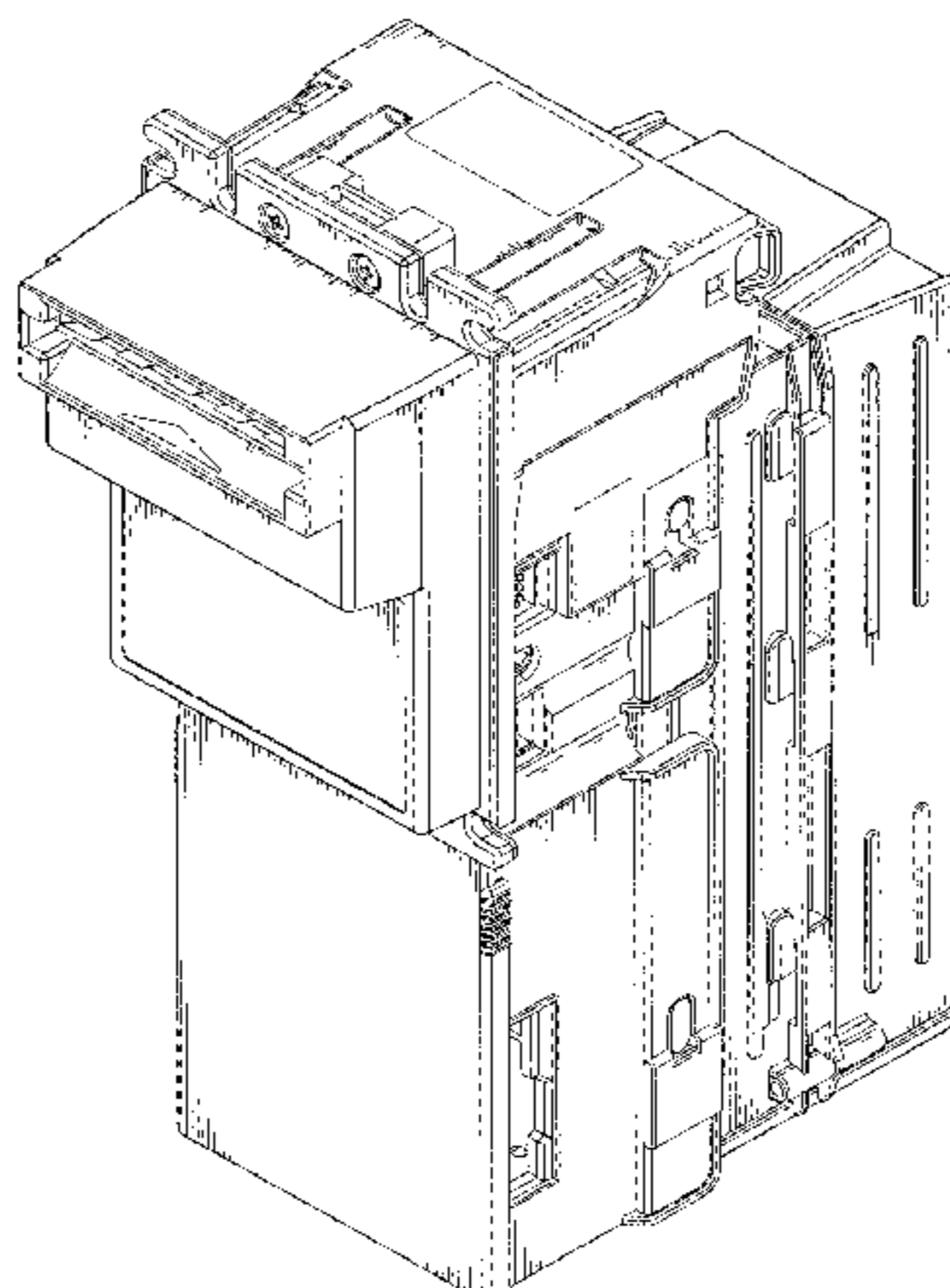
(57) **CLAIM**

The ornamental design for a bill acceptor, as shown and
described.

DESCRIPTION

FIG. 1 is a perspective view of a bill acceptor showing my
design;
FIG. 2 is a front view thereof;
FIG. 3 is a rear view thereof;
FIG. 4 is a left side view thereof;
FIG. 5 is a right side view thereof;
FIG. 6 is a top view thereof; and,
FIG. 7 is a bottom view thereof.
The broken lines in the drawings depict portions of the bill
acceptor that form no part of the claimed design.

1 Claim, 7 Drawing Sheets



(56)

References Cited

U.S. PATENT DOCUMENTS

6,742,645 B2 * 6/2004 Chou G07D 11/0006
194/206
D498,795 S * 11/2004 Nunn D20/8
6,866,201 B2 * 3/2005 Abe G06K 13/08
235/379
D525,659 S * 7/2006 Paczkowski D20/8
D526,359 S * 8/2006 Takeuchi D20/8
7,188,836 B2 * 3/2007 Yamamiya G07D 11/0006
271/177
D543,588 S * 5/2007 Herbert D20/8
D547,806 S * 7/2007 Uemizo D20/8
7,335,903 B1 * 2/2008 Yang G07D 11/0018
109/45
7,494,059 B2 * 2/2009 Chang G07F 11/045
235/379
D604,367 S * 11/2009 Thawley D20/8
D614,702 S * 4/2010 Tomiyoshi D20/8
D624,968 S * 10/2010 Tomiyoshi D20/8
8,684,156 B1 * 4/2014 Chang G07F 7/04
194/207
D734,396 S * 7/2015 Seki D20/8
D736,318 S * 8/2015 Seki D20/8
9,218,702 B2 * 12/2015 Bird G07F 7/04
D764,468 S * 8/2016 Yamamiya D14/385
D771,629 S * 11/2016 Yang D14/385
9,708,125 B2 * 7/2017 Yamamiya B65G 13/071
9,898,883 B1 * 2/2018 Chang G07D 11/0018
D815,966 S * 4/2018 Chang D10/97
D816,526 S * 5/2018 Chang D10/97
D849,839 S * 5/2019 Chang D20/8
D849,840 S * 5/2019 Chang D20/8
2004/0050651 A1 * 3/2004 Heidel G07D 7/00
194/217
2004/0119225 A1 * 6/2004 Yamamiya G07D 11/0006
271/180
2005/0224311 A1 * 10/2005 Tsai G07F 7/04
194/203
2006/0219516 A1 * 10/2006 Saltsov G07D 11/0072
194/207
2006/0272921 A1 * 12/2006 Chien G07F 7/04
194/207
2007/0084695 A1 * 4/2007 Yu G07F 7/04
194/206
2008/0084022 A1 * 4/2008 Yang G07D 11/0045
271/181
2009/0218395 A1 * 9/2009 Chien G07F 7/04
235/380
2009/0223776 A1 * 9/2009 Lin G07F 7/04
194/206
2009/0242353 A1 * 10/2009 Yu G07D 11/0018
194/207
2009/0294242 A1 * 12/2009 Yu G07D 11/0018
194/206
2010/0108462 A1 * 5/2010 Hsieh G07F 7/04
194/206
2010/0176197 A1 * 7/2010 Huang G07F 7/04
235/381

2010/0320056 A1 * 12/2010 Yu G07D 11/0018
194/202
2014/0054459 A1 * 2/2014 Scott G07D 11/00
250/338.1
2014/0083815 A1 * 3/2014 Chang G07F 7/04
194/344
2014/0090950 A1 * 4/2014 Johnson G07D 11/0018
194/344
2014/0097063 A1 * 4/2014 Chiang G07D 11/0063
194/206
2014/0311860 A1 * 10/2014 Tsou G07D 11/0027
198/395
2015/0062960 A1 * 3/2015 Chang G07D 11/0018
362/602
2015/0063672 A1 * 3/2015 Chang G07D 7/2033
382/135
2018/0108201 A1 * 4/2018 Kamihigashi G07D 11/0018
2018/0148290 A1 * 5/2018 Sackfield G07D 11/0033

OTHER PUBLICATIONS

A6-V6 Series Installation Guide H4458k-R. ictgroup.com. [online pdf] 13 pgs. Copyright 2003. [Retrieved on Oct. 4, 2018] [http://www.ictgroup.com.tw/download/Installation%20Guide/A6.V6%20Installation%20Guide\(EN\)%20H4458K-R.pdf](http://www.ictgroup.com.tw/download/Installation%20Guide/A6.V6%20Installation%20Guide(EN)%20H4458K-R.pdf).*

XBA mini_ Installation Guide H6673D-R. ictgroup.com. [online pdf] 12 pgs. Copyright 2015. [Retrieved on Oct. 4, 2018] [http://www.ictgroup.com.tw/download/Installation%20Guide/XBA-mini%20Installation%20Guide%20\(EN\)%20H6673D-R.pdf](http://www.ictgroup.com.tw/download/Installation%20Guide/XBA-mini%20Installation%20Guide%20(EN)%20H6673D-R.pdf).*

L70 L77 L83 Installation Guide H4908U-R. eurocoin.ro [online pdf] 27 pgs. Copyright 2007. [Retrieved on Oct. 4, 2018] <http://www.eurocoin.ro/sites/default/files/2018-05/L%20Series%20Installation%20Guide%20%28EN%29%20H4908U-R.pdf>.*

P Series Installation Guide H4814J-R. ictgroup.com. [online pdf] 17 pgs. Copyright 2005. [Retrieved on Oct. 4, 2018] [http://www.ictgroup.com.tw/download/Installation%20Guide/P%20Series%20Installation%20Guide\(EN\)%20H4814J-R.pdf](http://www.ictgroup.com.tw/download/Installation%20Guide/P%20Series%20Installation%20Guide(EN)%20H4814J-R.pdf).*

P Series Installation Guide H4814C-R. es.co.th. [online pdf] 14 pgs. Copyright 2005. [Retrieved on Oct. 4, 2018] <http://www.es.co.th/schemetic/pdf/P-SSERIES.pdf>.*

XBA Quick Start Guide H6486C-R. ictgroup.com. [online pdf] 19 pgs. Copyright 2013. [Retrieved on Oct. 4, 2018] [http://www.ictgroup.com.tw/download/Installation%20Guide/XBA%20Quick%20Start%20Guide\(EN\)%20H6486C-R.pdf](http://www.ictgroup.com.tw/download/Installation%20Guide/XBA%20Quick%20Start%20Guide(EN)%20H6486C-R.pdf).*

Bill Acceptors Bill Acceptors ICT and Pyramid. www.reelgaming.com. [online] 3 pgs. Uploaded/Posted as early as Apr. 5, 2013. [Retrieved on Oct. 9, 2018] <https://web.archive.org/web/20130405060931/http://www.reelgaming.com/gaming-products/bill-acceptors/>.*

ICT V638-F0M-USD4-T2- 800 Note. suzohapp.com. [online] 4 pgs. Available as early as 2012 and 2014 per reviews. [Retrieved on Oct. 9, 2018] https://na.suzohapp.com/products/bill_validators/42/0001-00.*

Bill acceptors. (Design—© Questel) orbit.com.[online PDF] 20 pgs. Print Dates range Feb. 23, 2018-Jun. 22, 2018 [Retrieved on Oct. 11, 2018] <https://sobjprd.questel.fr/export/QPTUJ214/pdf2/ec21e3cb-fc7e-4ef4-b307-d7370c0ae0e4-002806.pdf>.*

* cited by examiner

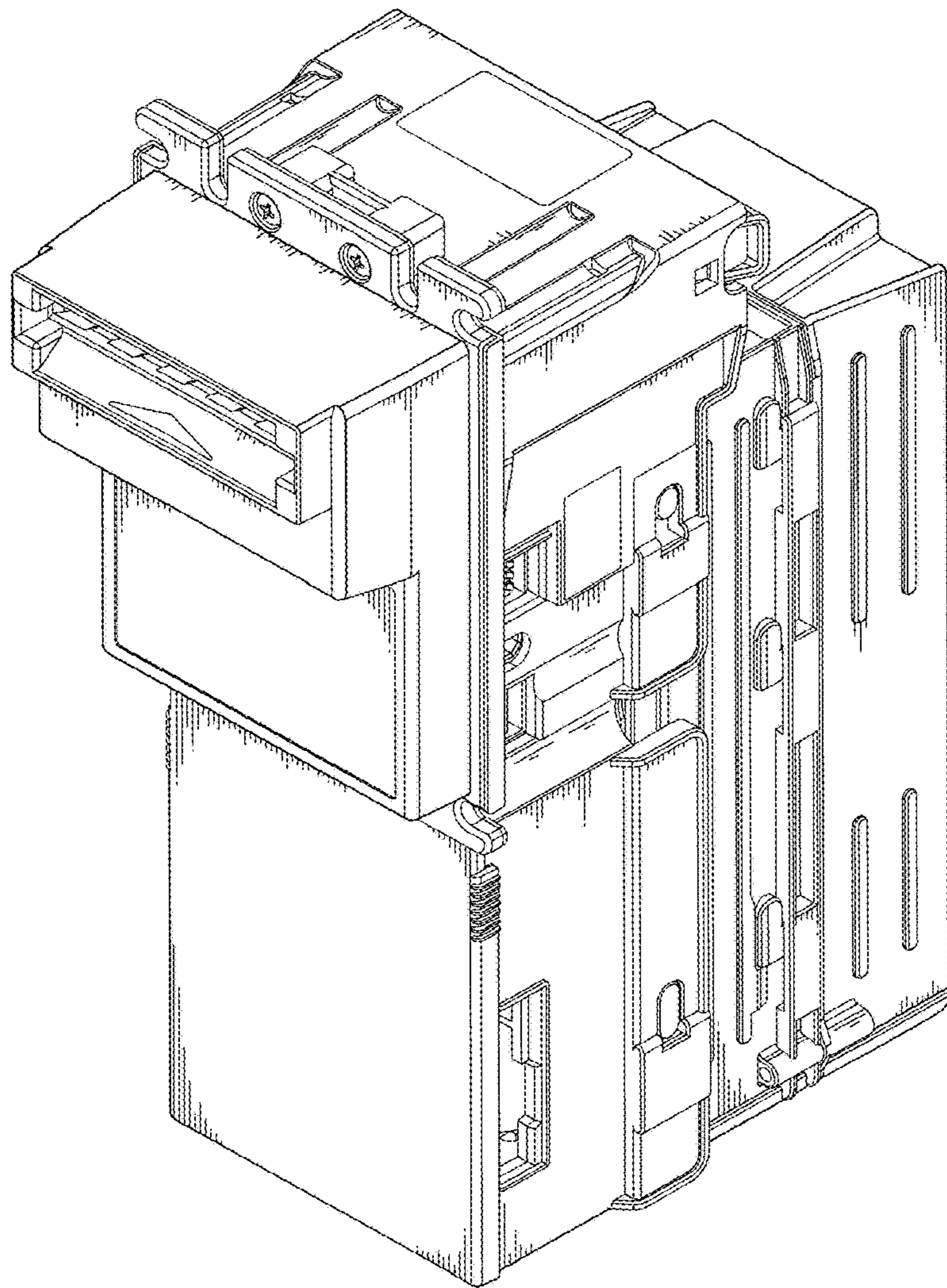


FIG. 1

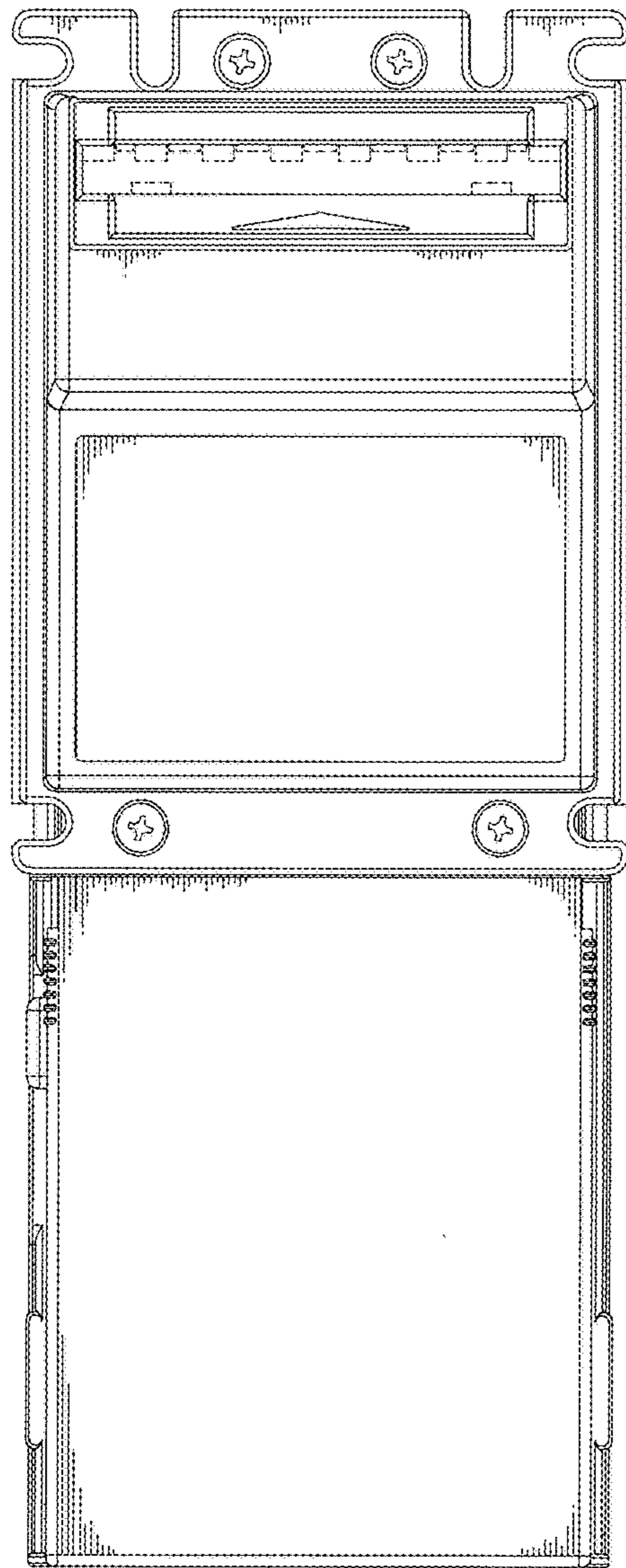


FIG. 2

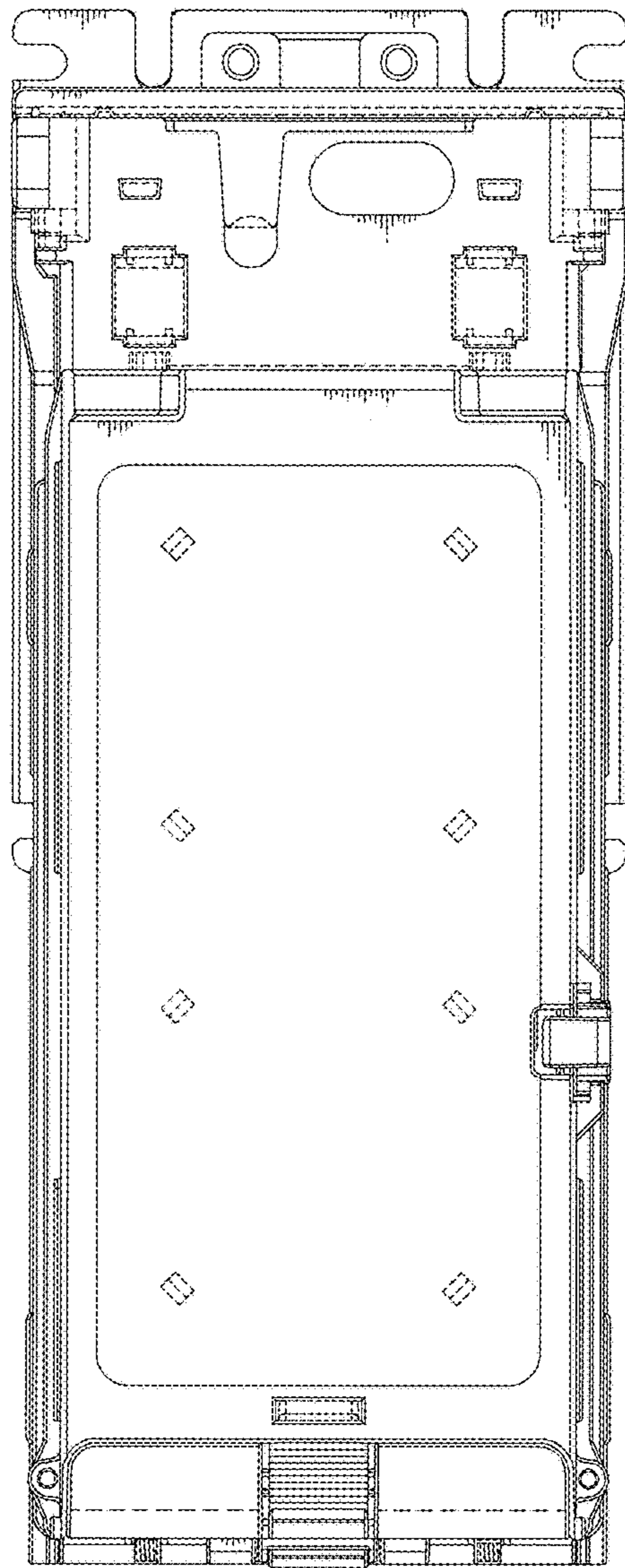


FIG. 3

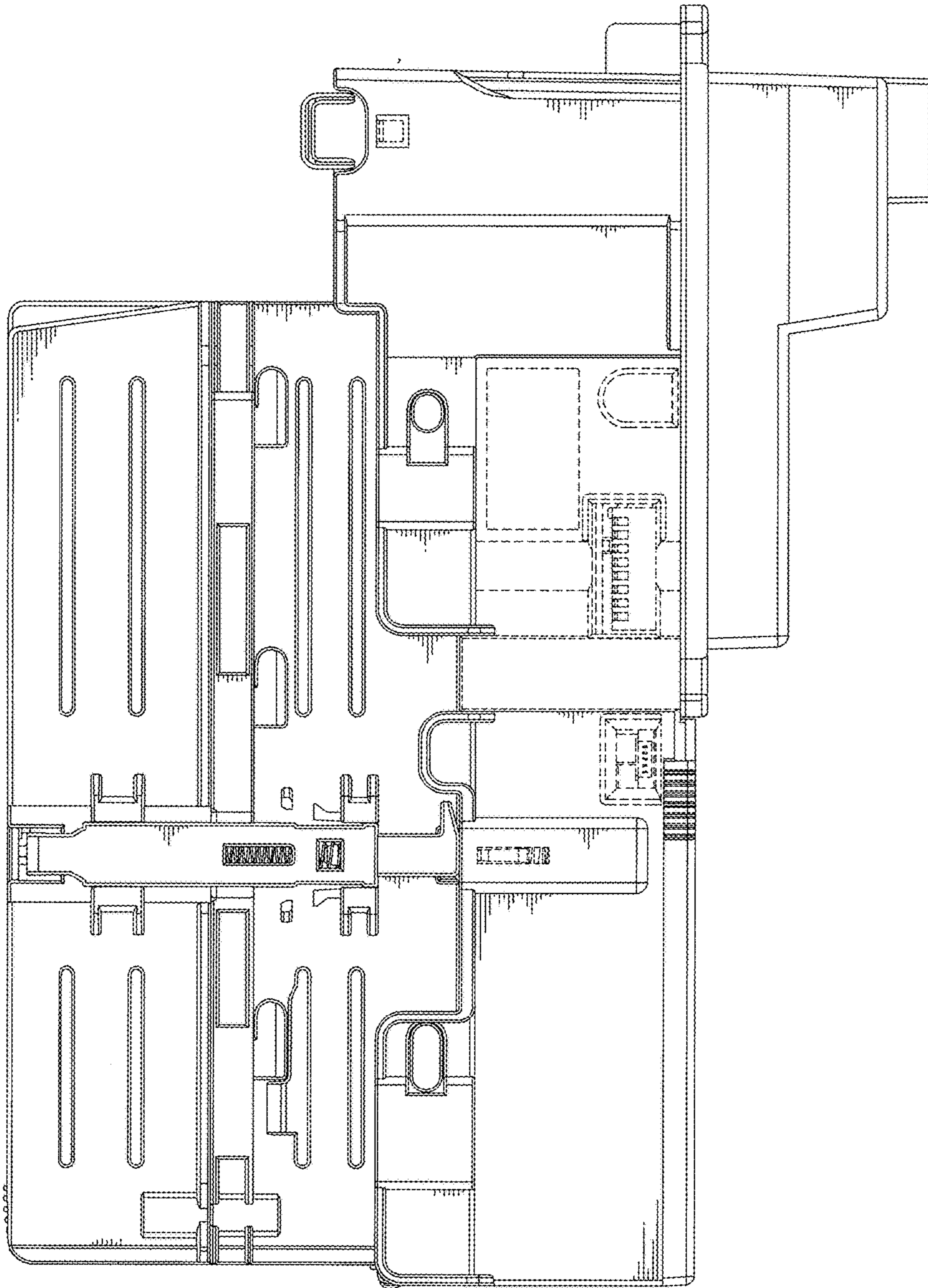


FIG. 4

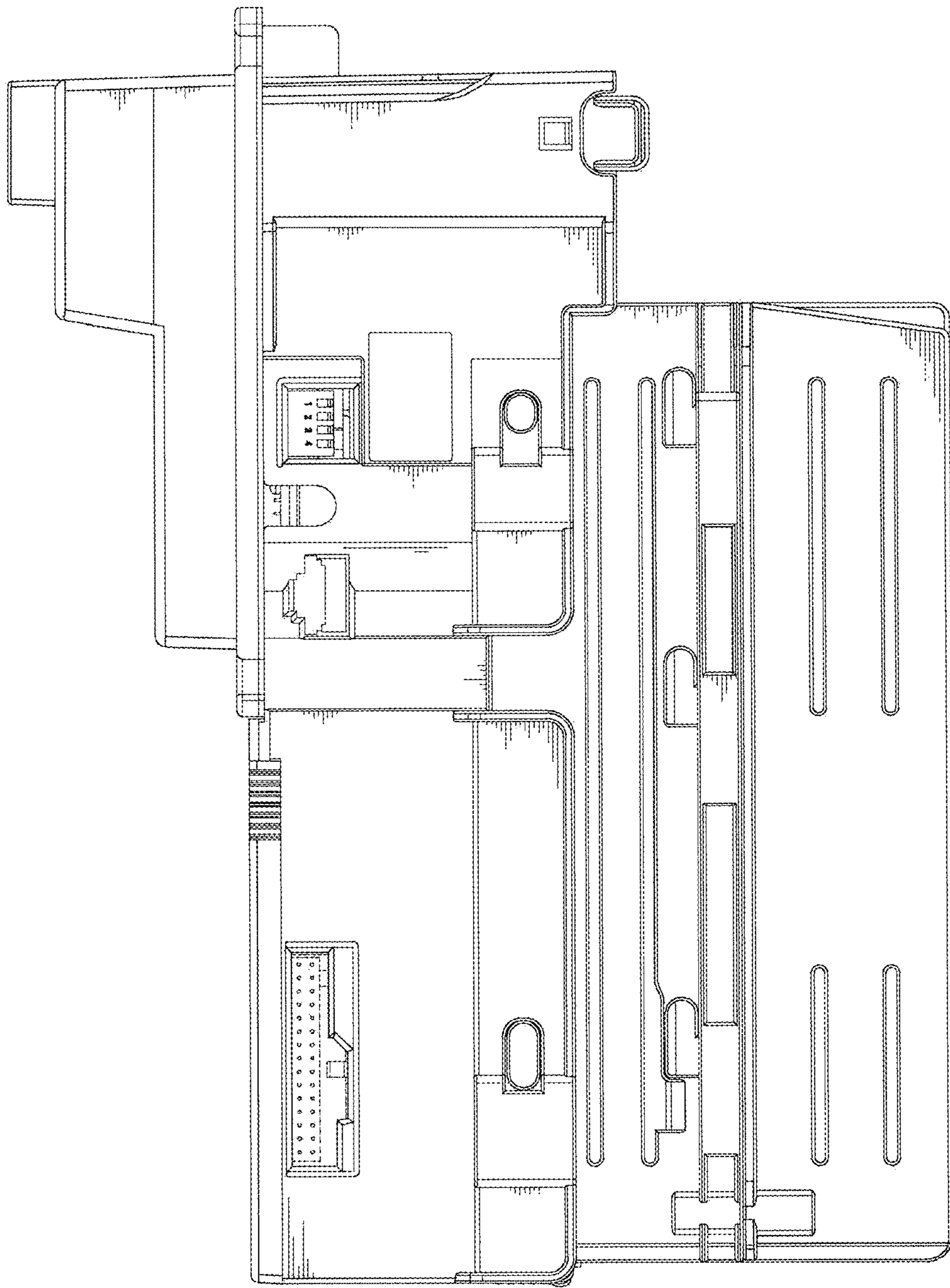


FIG. 5

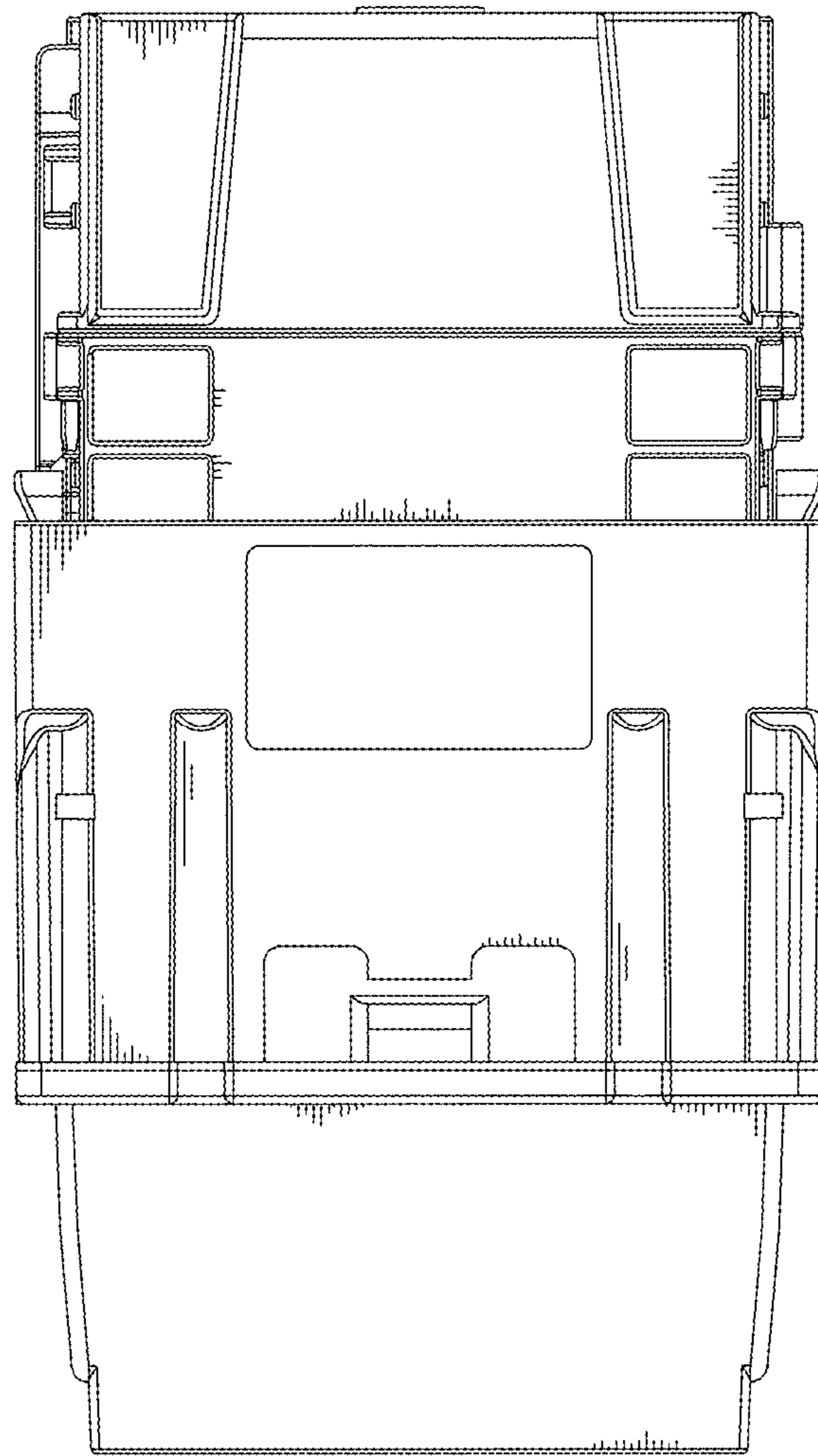


FIG. 6

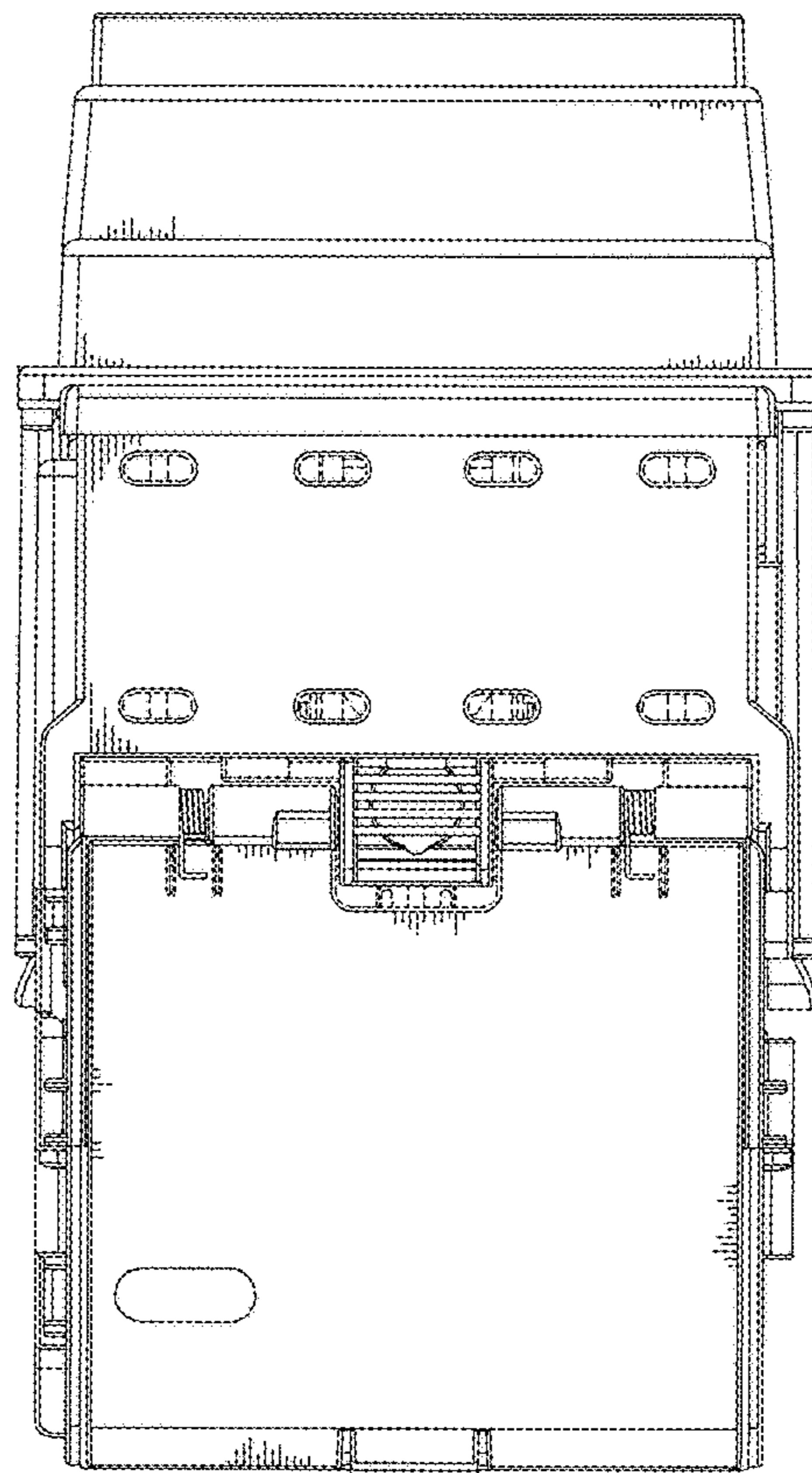


FIG. 7