



US00D865057S

(12) **United States Design Patent**  
**Sheldon**

(10) **Patent No.:** **US D865,057 S**

(45) **Date of Patent:** **\*\* Oct. 29, 2019**

(54) **ORGANIZER**

(71) Applicant: **UGMONK INC.**, Downingtown, PA  
(US)

(72) Inventor: **Jeffrey Sheldon**, Downingtown, PA  
(US)

(73) Assignee: **Ugmonk Inc.**, Downingtown, PA (US)

(\*\*) Term: **15 Years**

(21) Appl. No.: **29/646,193**

(22) Filed: **May 2, 2018**

(51) **LOC (12) Cl.** ..... **19-02**

(52) **U.S. Cl.**

USPC ..... **D19/75**

(58) **Field of Classification Search**

USPC ..... D3/206, 304, 306; D6/553, 567, 573,  
D6/574, 672, 673, 675, 675.1, 683, 703.5,  
D6/705.4, 705.7, 706; D7/640, 641;  
D8/396; D10/71; D19/75, 77-87, 90-92,  
D19/95-97; D21/392-394

CPC ..... A47B 23/042; A47B 55/06; A47B 63/00;  
A47F 5/005; A47F 7/14; A47F 7/146;  
A47F 7/147; B42F 17/08; B43M 99/00;  
B43M 99/001; B43M 99/003; B43M  
99/004; B43M 99/006; B43M 99/007;  
B43M 99/008; B43M 99/009

See application file for complete search history.

(56) **References Cited**

**U.S. PATENT DOCUMENTS**

242,120 A \* 5/1881 Eastman ..... B65D 1/36  
206/564  
D33,770 S \* 12/1900 Jones ..... D19/83  
D71,240 S \* 10/1926 Curry ..... 211/72  
2,975,089 A \* 3/1961 Hargreaves ..... A47G 27/0212  
428/168

D232,974 S \* 9/1974 Salz ..... D10/70  
4,125,192 A \* 11/1978 Dayen ..... A63B 71/0045  
211/14  
D271,638 S \* 12/1983 Basaldua, Jr. .... D19/77  
D271,895 S \* 12/1983 Runions ..... D21/392  
4,507,330 A \* 3/1985 Schaaf ..... H05K 3/187  
211/41.1  
4,586,616 A \* 5/1986 Cooper ..... A47J 47/16  
211/88.04  
D285,745 S \* 9/1986 Friedman ..... D19/83  
D293,185 S \* 12/1987 Morin ..... D6/553  
D309,389 S \* 7/1990 Hockenberry ..... D6/705.7  
D335,896 S \* 5/1993 Evenson ..... D19/83  
5,215,198 A \* 6/1993 Sutton ..... A47F 7/146  
206/425  
D337,619 S \* 7/1993 Evenson ..... D19/86  
D350,374 S \* 9/1994 Comeau ..... D19/90  
D401,451 S \* 11/1998 Sherman ..... D6/682.4

(Continued)

*Primary Examiner* — Elizabeth A. Albert

(74) *Attorney, Agent, or Firm* — Saxton & Stump LLC;  
Bruce J. Wolstoncroft

(57) **CLAIM**

The ornamental design for an organizer, as shown and described.

**DESCRIPTION**

FIG. 1 is a top-front-right side perspective view of an organizer, showing the design;

FIG. 2 is a top view of the organizer of FIG. 1;

FIG. 3 is a bottom view of the organizer of FIG. 1;

FIG. 4 is a front view of the organizer of FIG. 1;

FIG. 5 is a rear view of the organizer of FIG. 1;

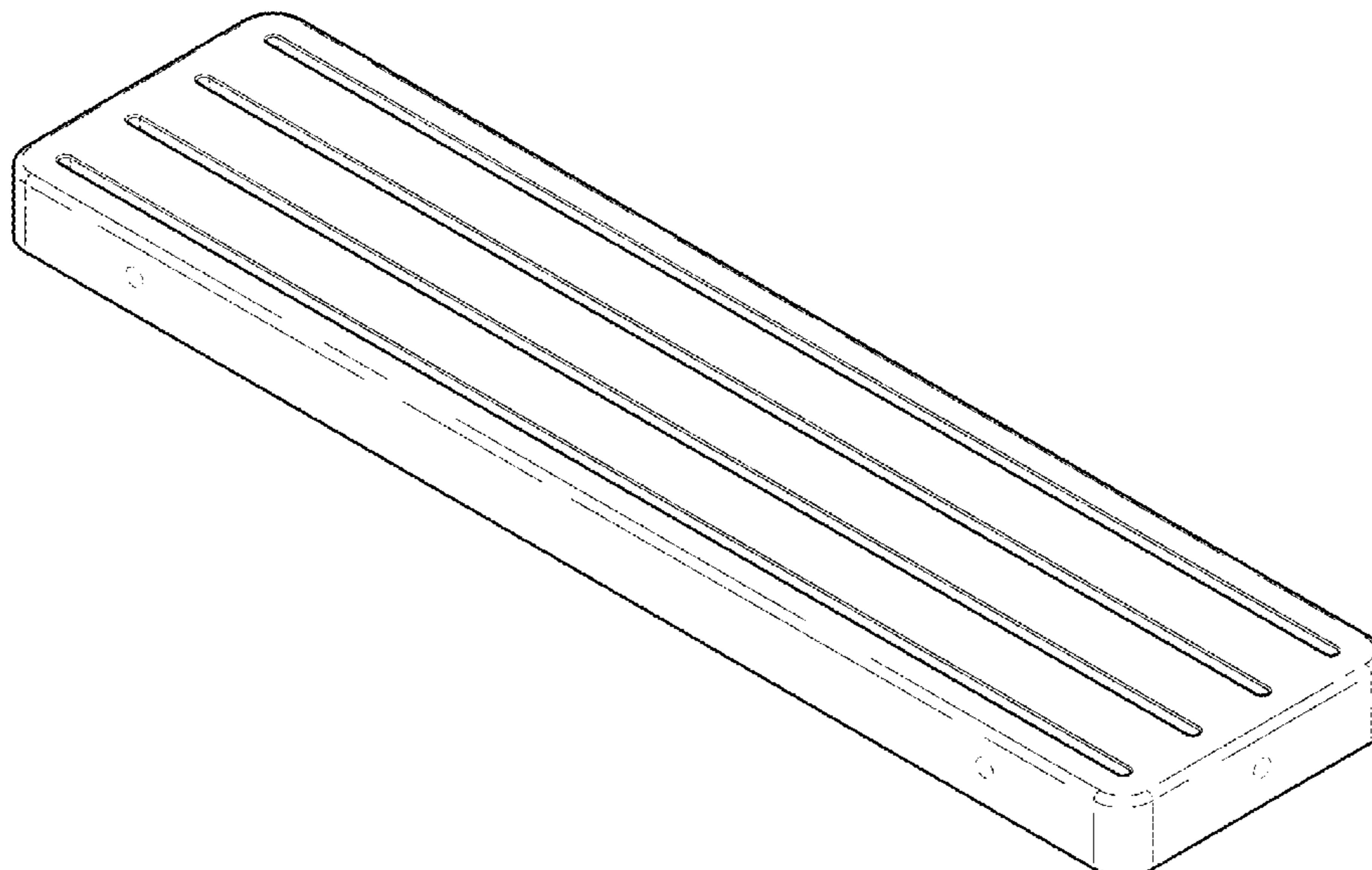
FIG. 6 is a left side view of the organizer of FIG. 1;

FIG. 7 is a right side view of the organizer of FIG. 1; and,

FIG. 8 is a top-front-left side view of the organizer of FIG. 1.

The broken lines in the drawings depict environmental matter that forms no part of the claimed design.

**1 Claim, 4 Drawing Sheets**



(56)

**References Cited**

U.S. PATENT DOCUMENTS

D415,203 S \* 10/1999 Sherman ..... D19/90  
6,607,084 B1 \* 8/2003 Spinelli ..... A47F 7/0021  
211/71.01  
D507,145 S \* 7/2005 Prata dos Santos ..... D6/629  
D507,921 S \* 8/2005 Cardoso Prata dos Santos .....  
D6/629  
7,243,920 B2 \* 7/2007 Braun ..... A63F 1/10  
273/148 A  
D557,963 S \* 12/2007 Hoernig ..... D6/574  
D578,817 S \* 10/2008 Gravel ..... D6/574  
D680,356 S \* 4/2013 Stravitz ..... D6/571  
D828,059 S \* 9/2018 Lunardi ..... D6/682.4  
D834,823 S \* 12/2018 Cavazos, III ..... D3/313  
2005/0127013 A1 \* 6/2005 Krapf ..... A47F 7/146  
211/45

\* cited by examiner

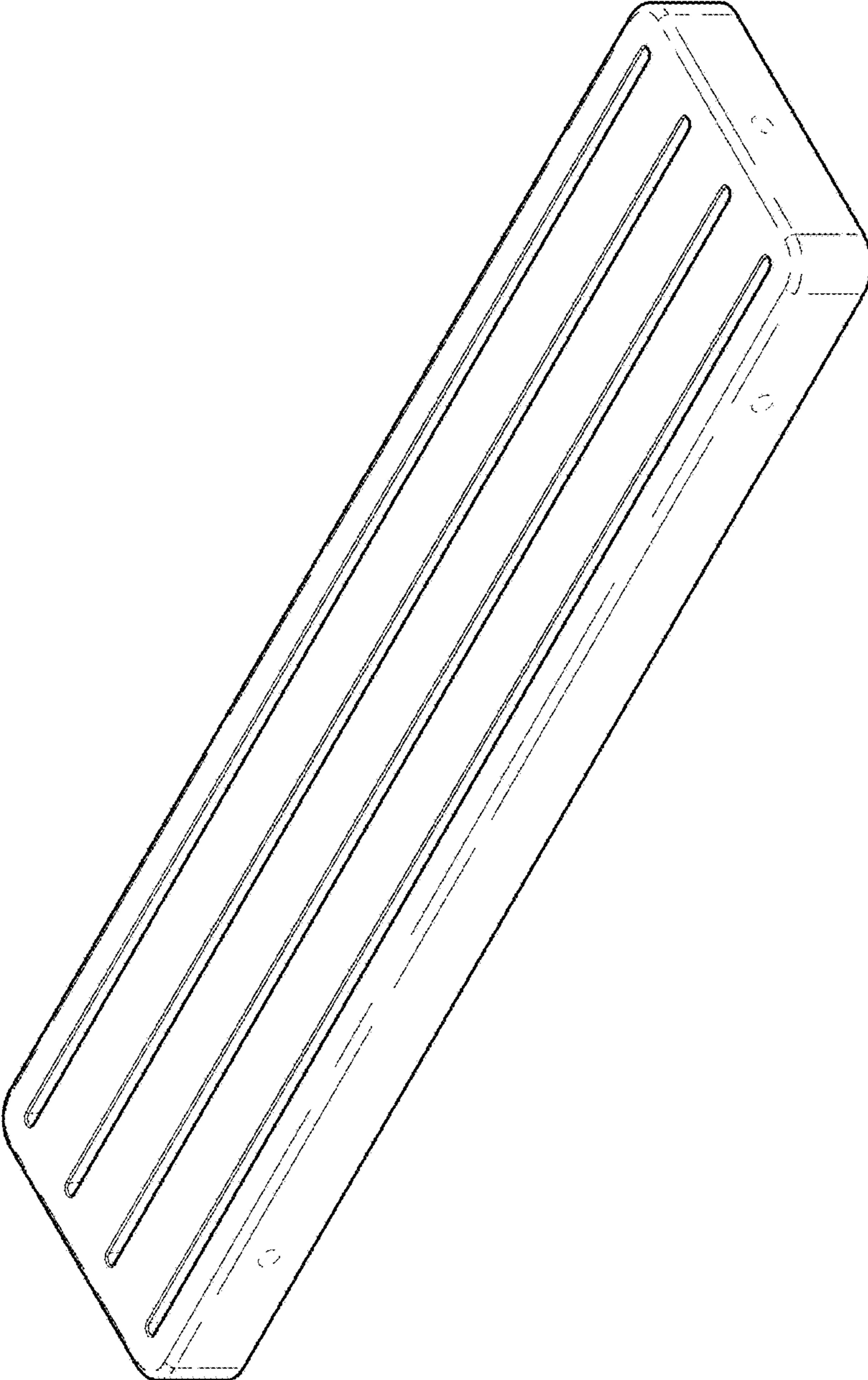


FIG. 1

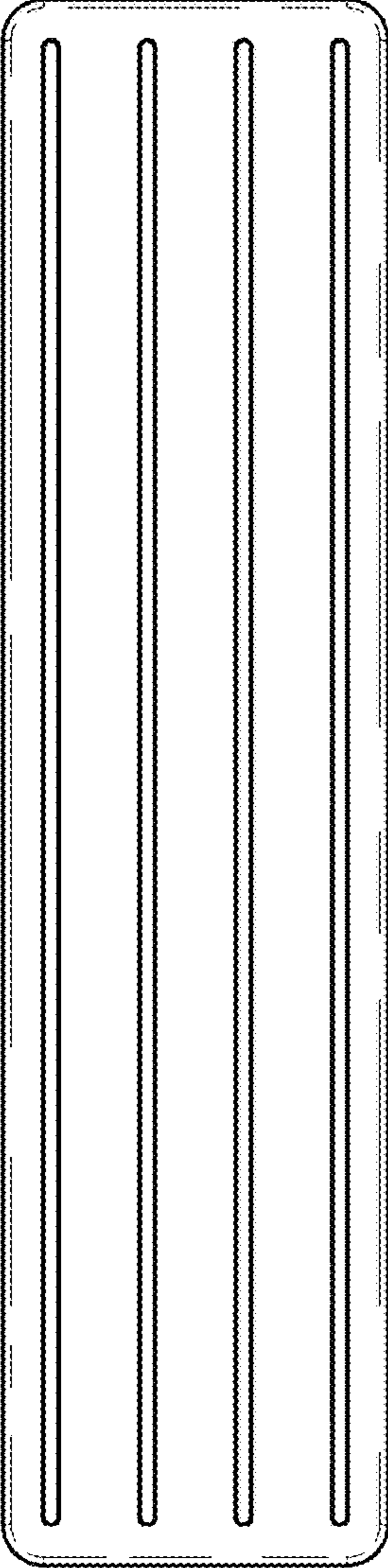


FIG. 2

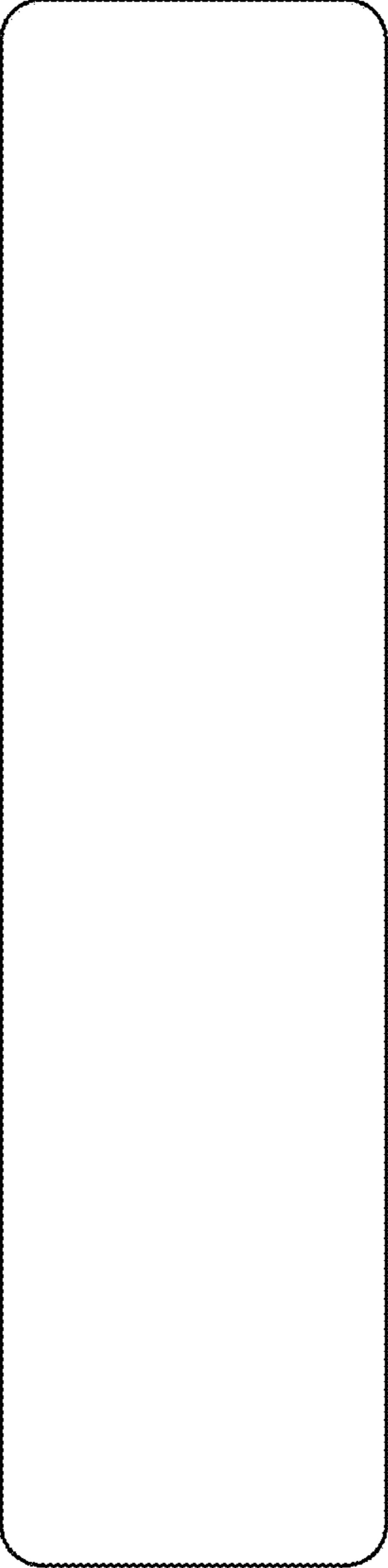


FIG. 3



FIG. 4



FIG. 6

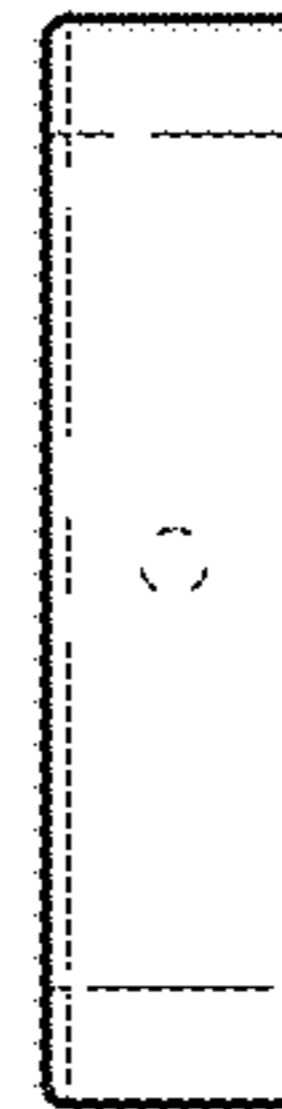


FIG. 7



FIG. 5

