



US00D865054S

(12) **United States Design Patent** (10) **Patent No.:** **US D865,054 S**  
**Takahashi et al.** (45) **Date of Patent:** **\*\* Oct. 29, 2019**

(54) **INK CARTRIDGE**  
(71) Applicant: **BROTHER INDUSTRIES, LTD.**,  
Nagoya-shi, Aichi-ken (JP)  
(72) Inventors: **Hiroaki Takahashi**, Nagoya (JP);  
**Toshiya Inada**, Nagoya (JP); **Masahide**  
**Asano**, Nagoya (JP)  
(73) Assignee: **BROTHER INDUSTRIES, LTD.**,  
Nagoya (JP)  
(\*\*) Term: **15 Years**  
(21) Appl. No.: **29/626,764**  
(22) Filed: **Nov. 20, 2017**  
(51) **LOC (12) Cl.** ..... **18-02**  
(52) **U.S. Cl.**  
USPC ..... **D18/56**  
(58) **Field of Classification Search**  
USPC ..... D14/299, 301-303, 307, 332, 386,  
D14/420-425, 432, 439, 441, 443, 447,  
D14/462-471, 474, 480.5, 483-484;  
D18/12, 14, 18-19, 36-41, 43-54, 54.1,  
D18/55-59, 99  
CPC .. G06K 15/12; G06K 15/14; B41J 3/00; B41J  
3/28; B41J 11/00; B41J 11/58; B41J  
15/12; B41J 15/042; G03G 15/00; G03G  
15/0142; H04N 1/00129; H04N 1/00135;  
H04N 1/00204; H04N 1/00278  
See application file for complete search history.

D783,090 S \* 4/2017 Okazaki ..... D18/56  
D783,091 S \* 4/2017 Okazaki ..... D18/56  
D786,347 S \* 5/2017 Okazaki ..... D18/56  
D829,816 S \* 10/2018 Takahashi ..... D18/56  
D830,452 S \* 10/2018 Ono ..... D18/56  
D830,453 S \* 10/2018 Takahashi ..... D18/56  
D833,522 S \* 11/2018 Takahashi ..... D18/56

(Continued)

**OTHER PUBLICATIONS**

Design U.S. Appl. No. 29/614,125, filed Aug. 16, 2017 in the name  
of Takahashi et al.

(Continued)

*Primary Examiner* — Cathron C Brooks  
*Assistant Examiner* — Andrew T Nemeth  
(74) *Attorney, Agent, or Firm* — Oliff PLC

(57) **CLAIM**

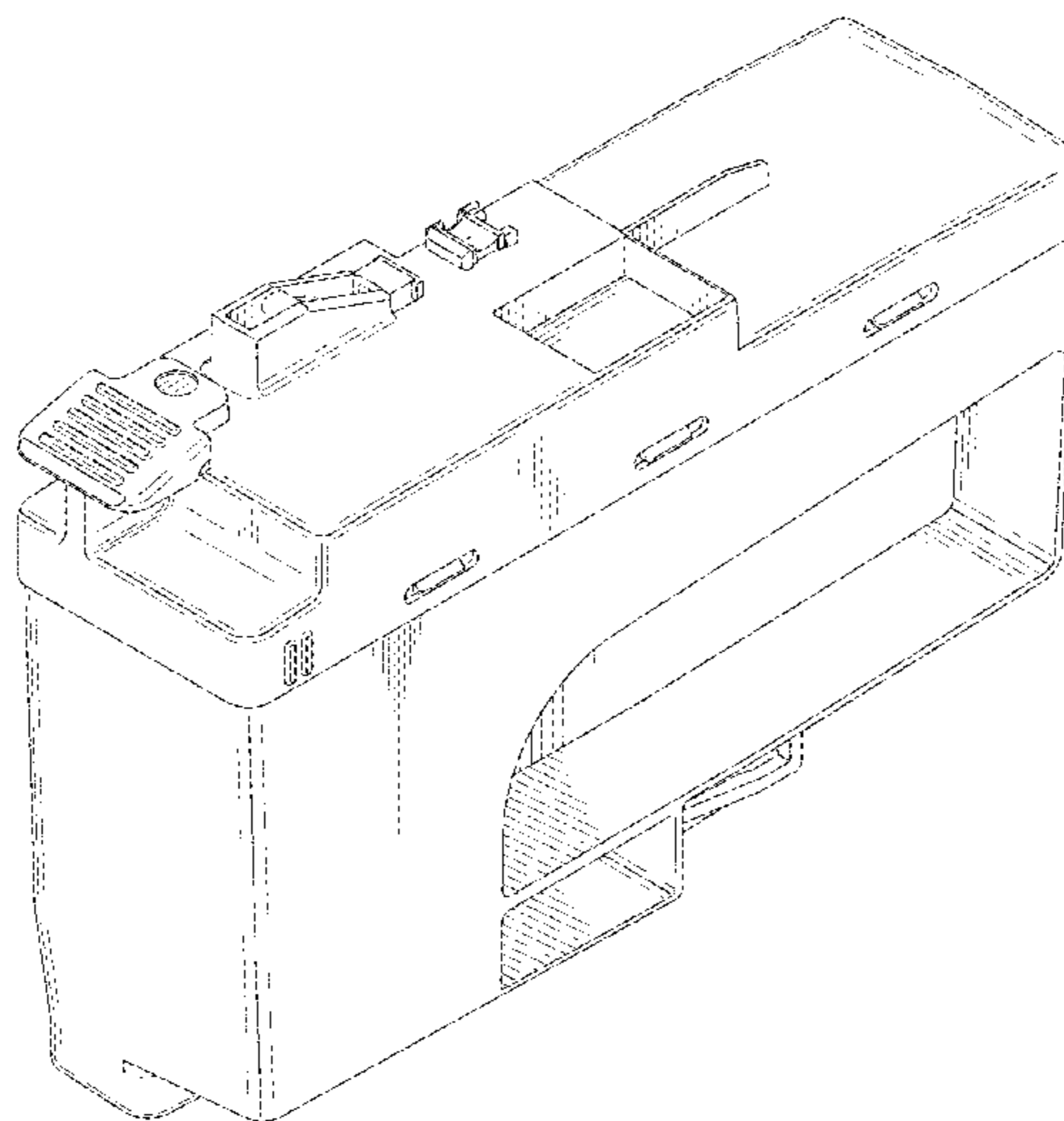
The ornamental design for an ink cartridge, as shown and  
described.

**DESCRIPTION**

FIG. 1 is a front, left-side perspective view of an ink  
cartridge;  
FIG. 2 is a front view thereof;  
FIG. 3 is a top view thereof;  
FIG. 4 is a right-side view thereof;  
FIG. 5 is a left-side view thereof;  
FIG. 6 is a rear view thereof;  
FIG. 7 is a bottom view thereof;  
FIG. 8 is a cross-sectional view taken along line 8-8 in FIG.  
5;  
FIG. 9 is a cross-sectional view taken along line 9-9 in FIG.  
2;  
FIG. 10 is a rear, right-side perspective view thereof; and,  
FIG. 11 is a bottom, left-side perspective view thereof.  
The broken lines depict unclaimed portions of the ink  
cartridge and form no part of the claimed design.

**1 Claim, 10 Drawing Sheets**

(56) **References Cited**  
U.S. PATENT DOCUMENTS  
D549,280 S \* 8/2007 Morino ..... 347/86  
D556,258 S \* 11/2007 Morino ..... D18/56  
D570,408 S \* 6/2008 Morino ..... 347/86  
D680,165 S \* 4/2013 Takagi ..... D18/56  
D681,728 S \* 5/2013 Takagi ..... 347/86  
D721,132 S \* 1/2015 Kobayashi ..... D18/56  
D783,089 S \* 4/2017 Okazaki ..... D18/56



(56)

**References Cited**

U.S. PATENT DOCUMENTS

D833,523 S \* 11/2018 Takahashi ..... D18/56  
D842,927 S \* 3/2019 Takahashi ..... D18/56  
D843,445 S \* 3/2019 Takahashi ..... D18/56  
D847,255 S \* 4/2019 Takahashi ..... D18/56  
2018/0288869 A1 \* 10/2018 Ota ..... B41J 2/17523

OTHER PUBLICATIONS

Design U.S. Appl. No. 29/614,077, filed Aug. 16, 2017 in the name of Takahashi et al.

Design U.S. Appl. No. 29/614,544, filed Aug. 21, 2017 in the name of Takahashi.

Design U.S. Appl. No. 29/614,558, filed Aug. 21, 2017 in the name of Takahashi.

Design U.S. Appl. No. 29/613,786, filed Aug. 14, 2017 in the name of Takahashi.

Design U.S. Appl. No. 29/613,770, filed Aug. 14, 2017 in the name of Ono.

Design U.S. Appl. No. 29/623,697, filed Oct. 26, 2017 in the name of Takahashi et al.

Design U.S. Appl. No. 29/623,694, filed Oct. 26, 2017 in the name of Takahashi et al.

\* cited by examiner

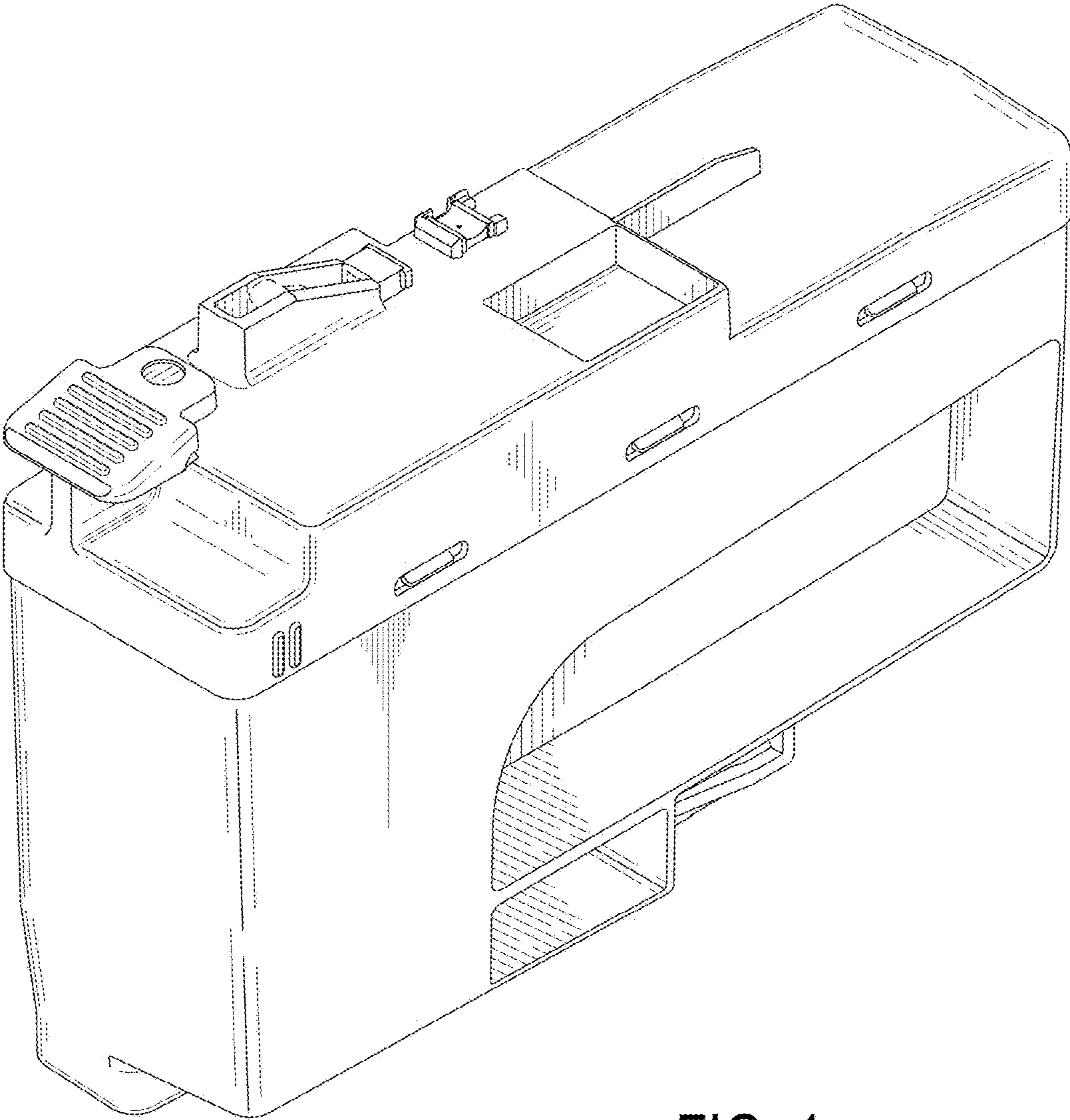


FIG. 1

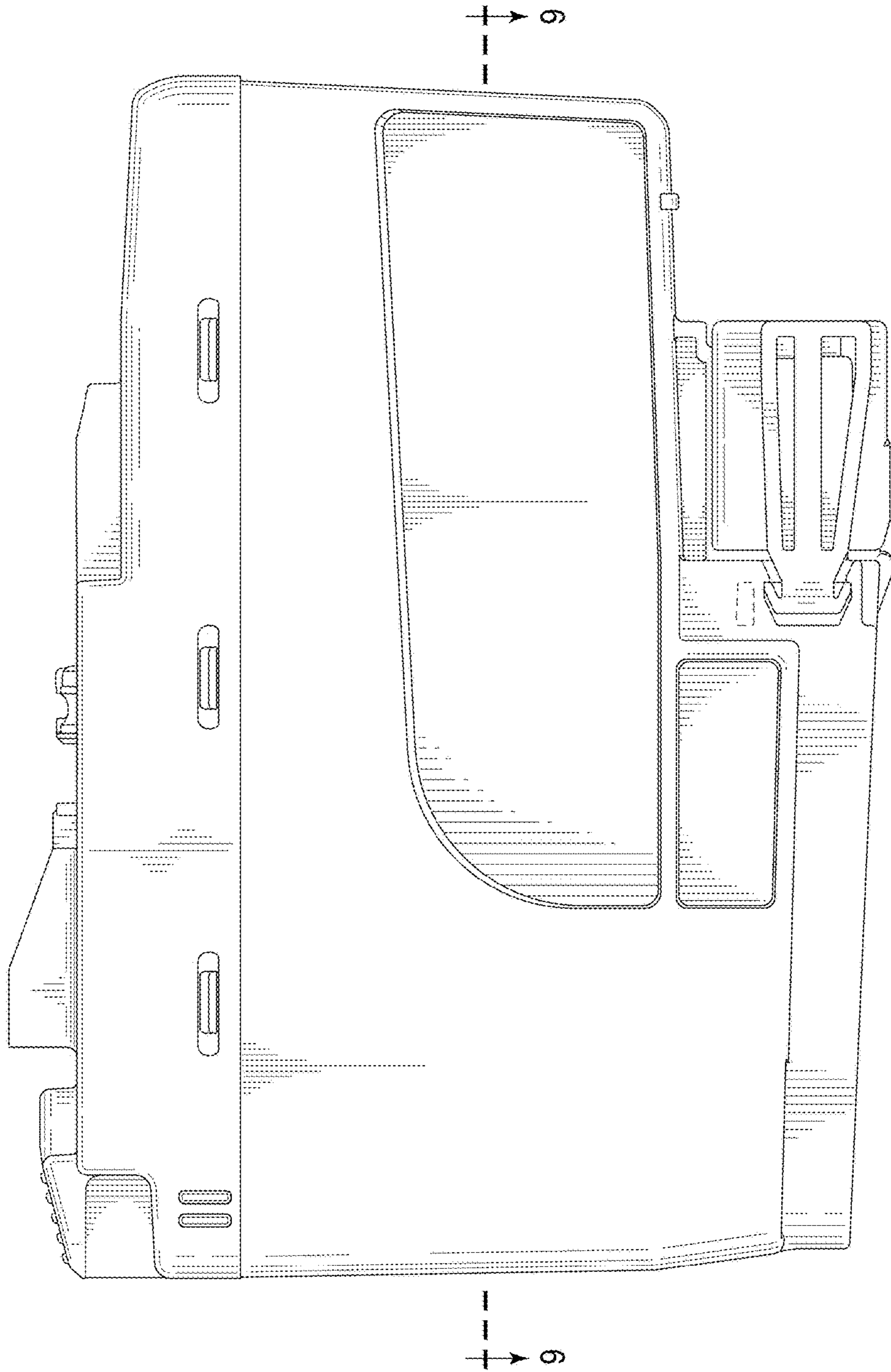


FIG. 2

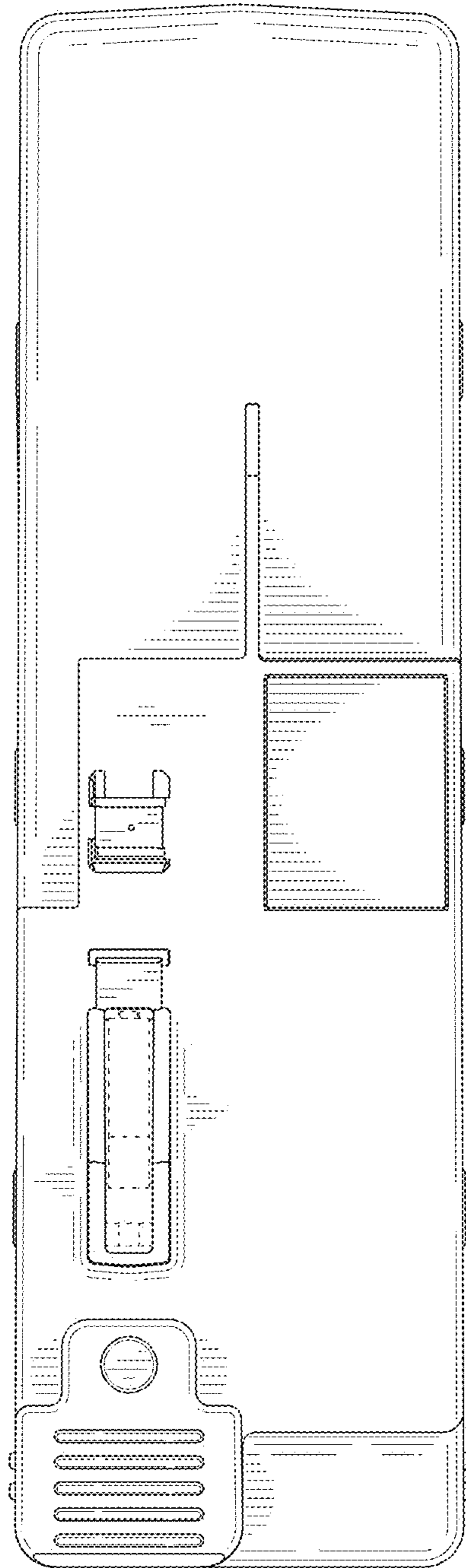


FIG. 3

FIG. 5

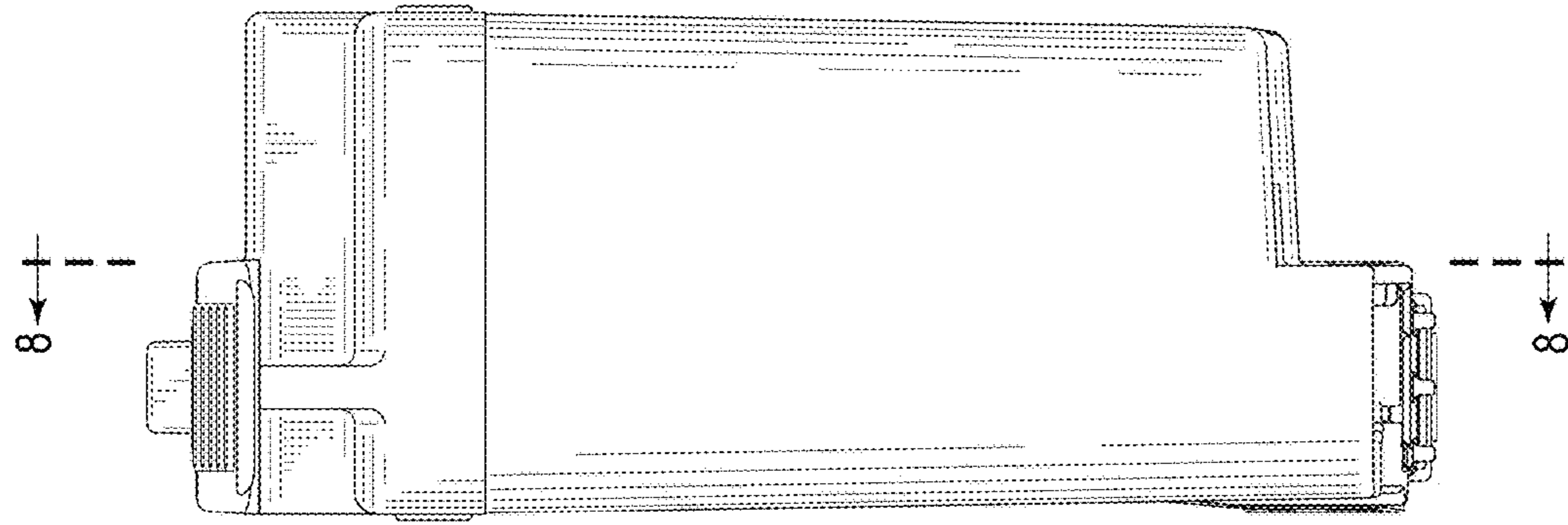
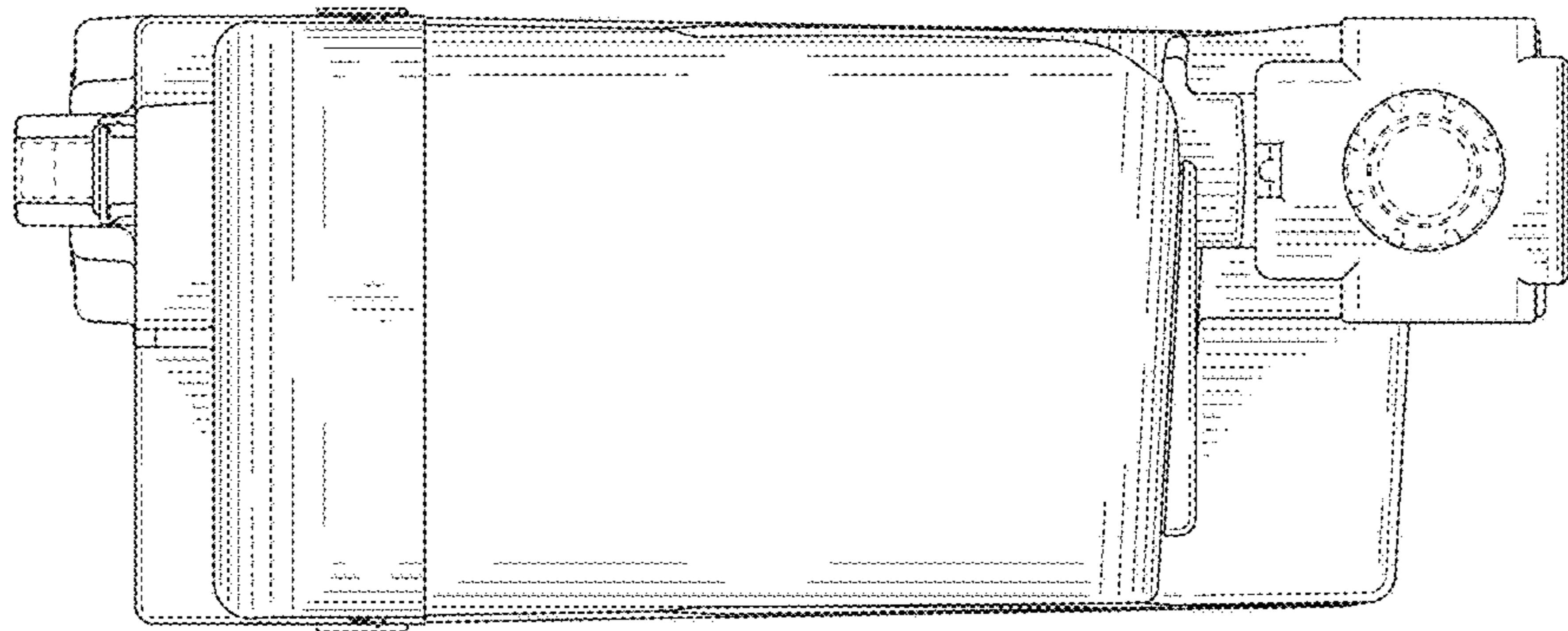


FIG. 4



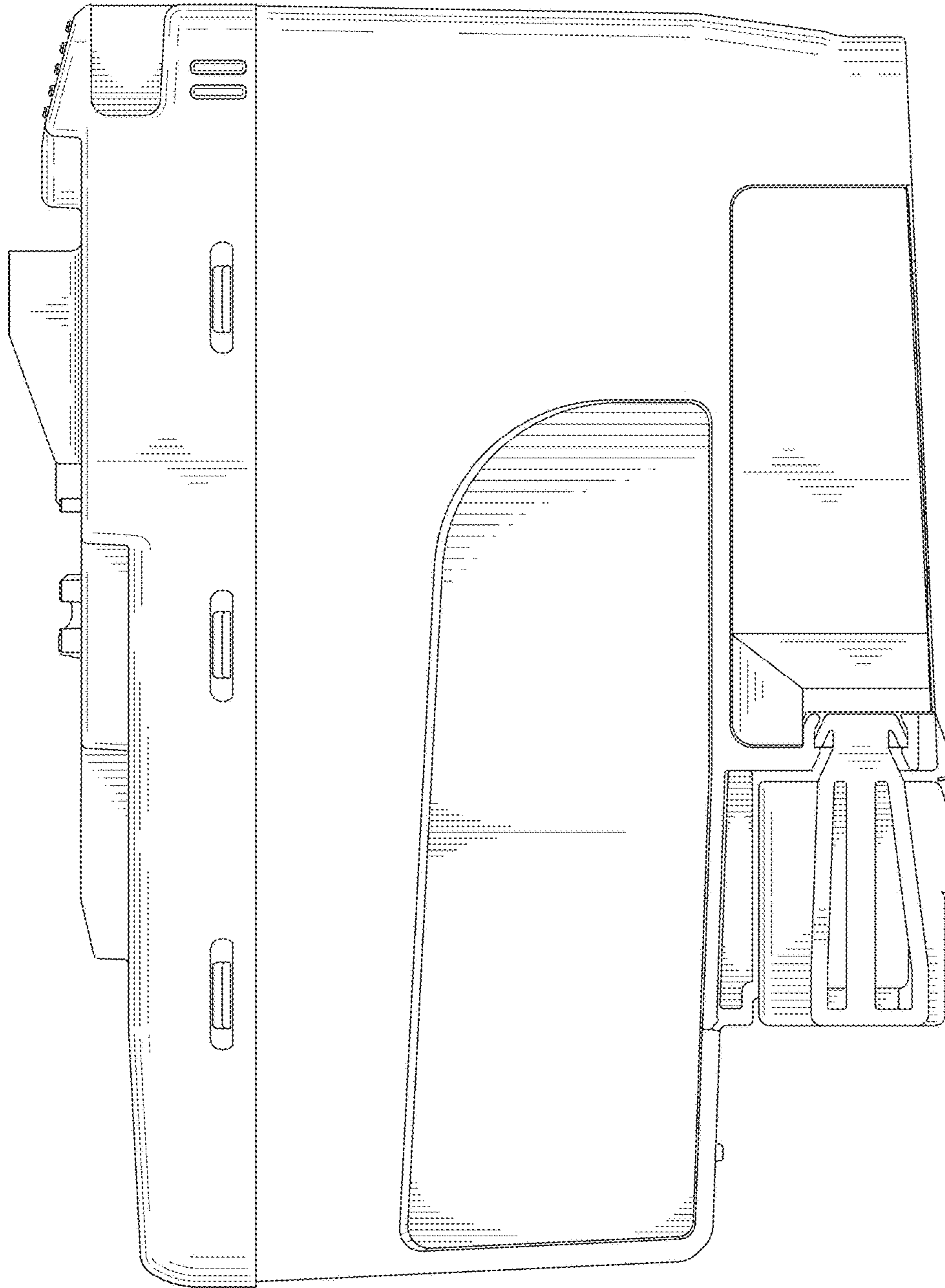


FIG. 6

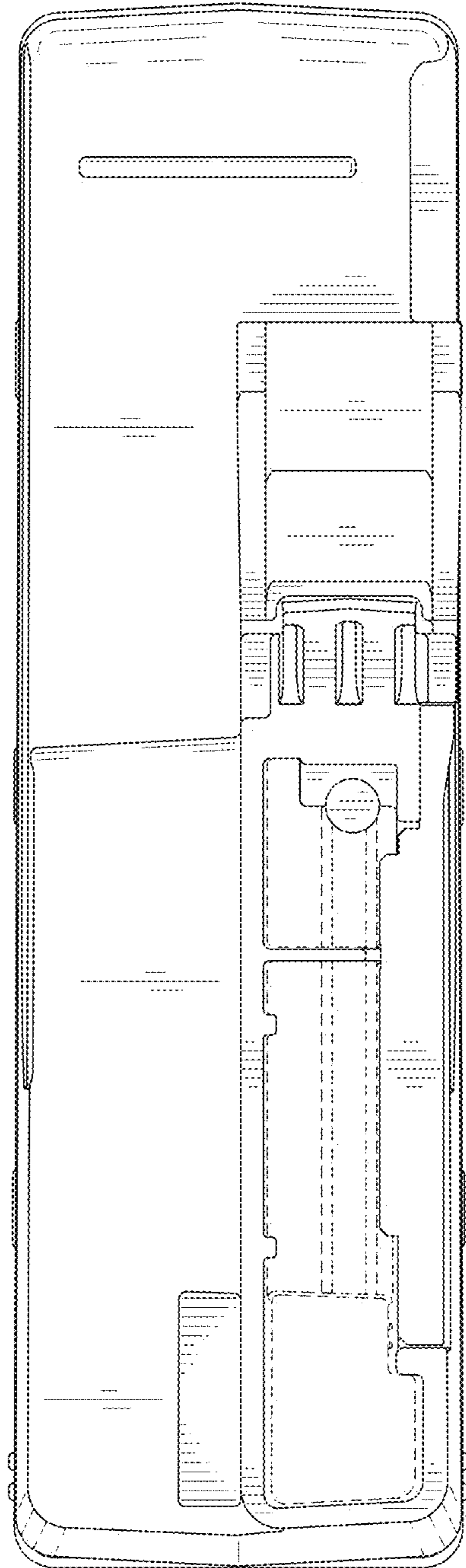


FIG. 7



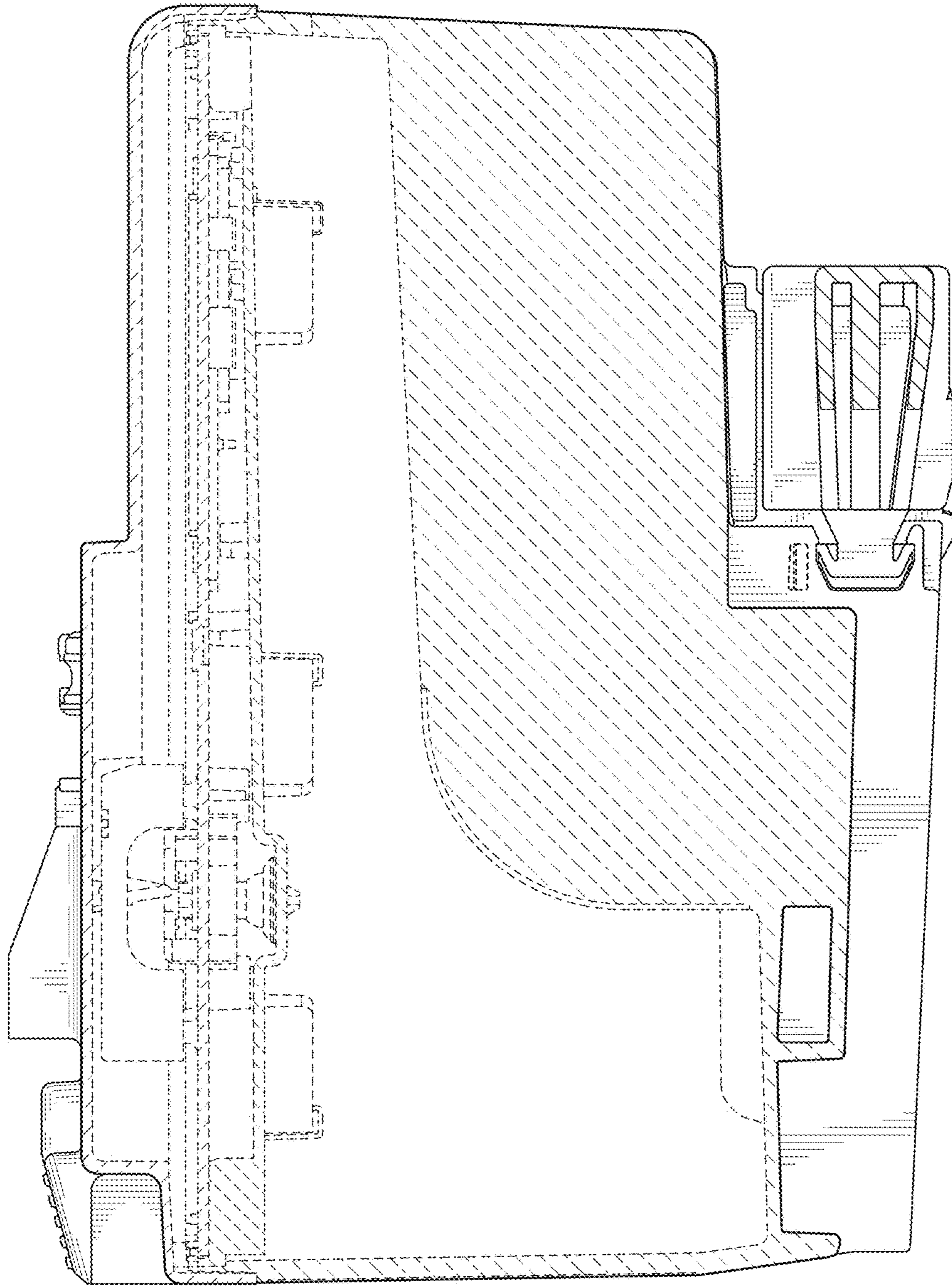


FIG. 8

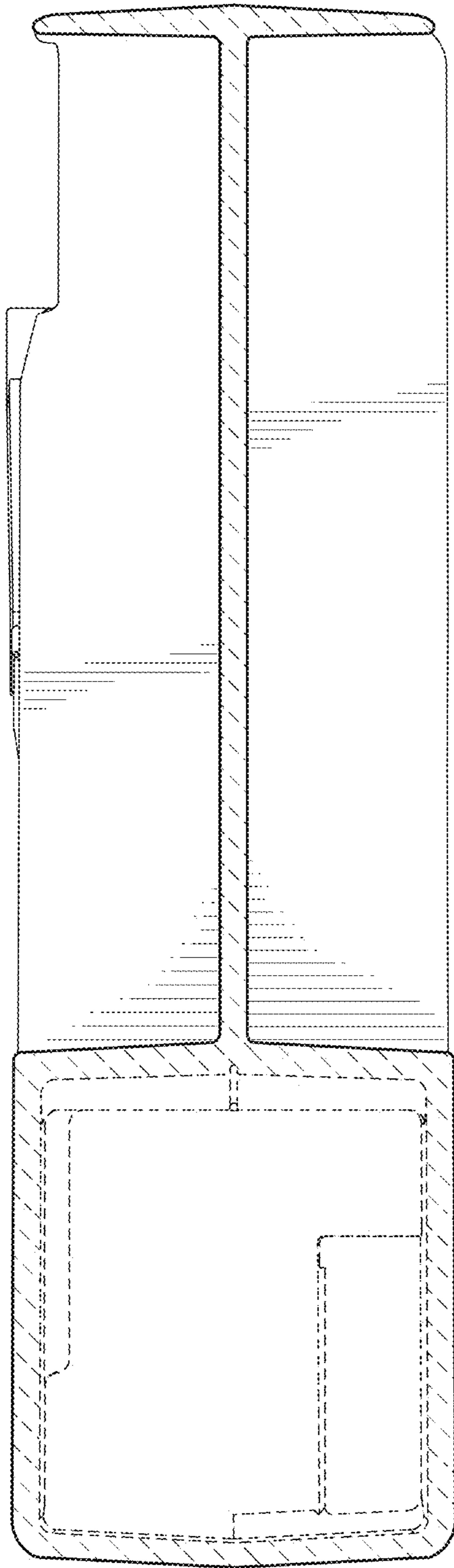


FIG. 9

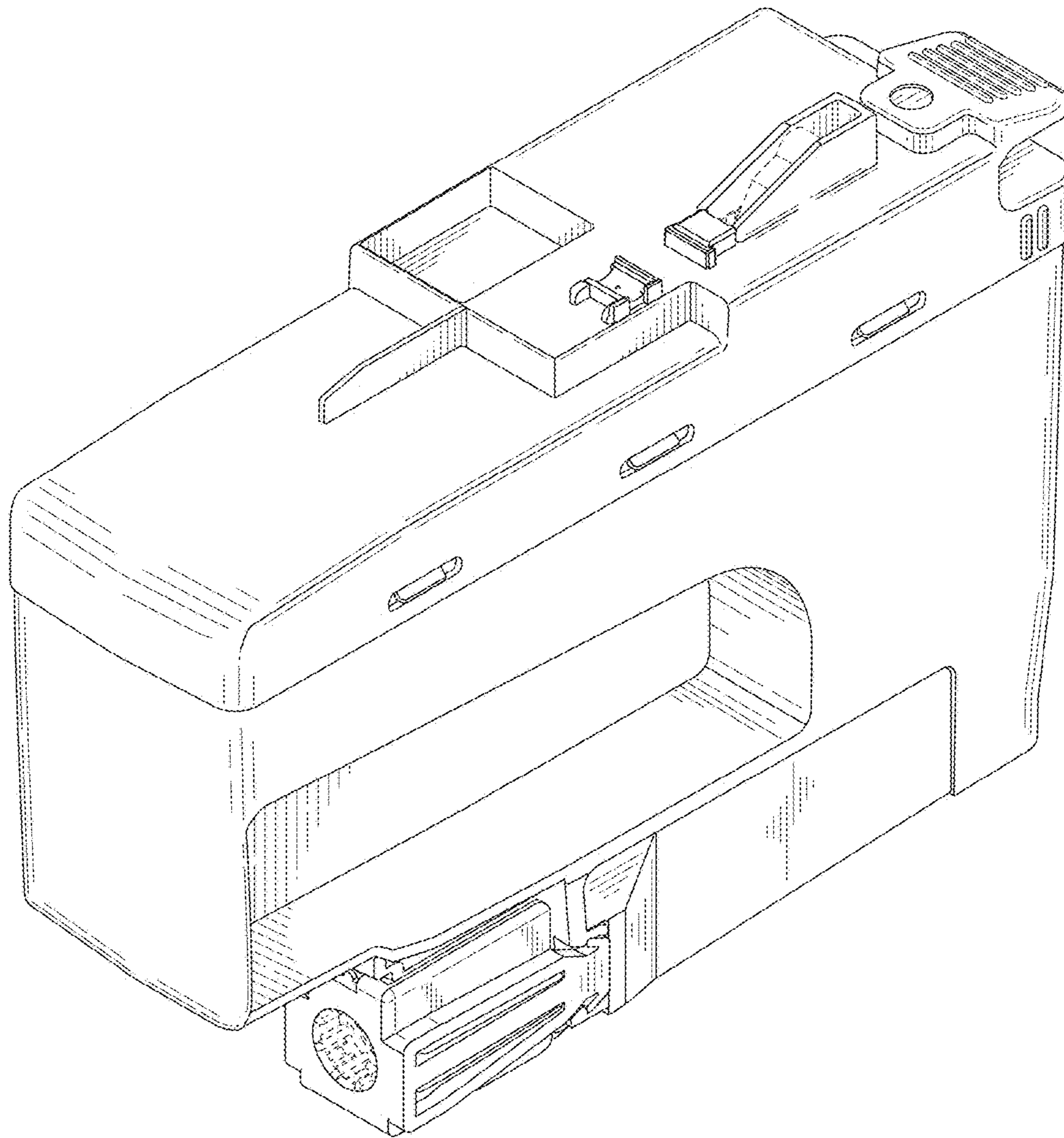


FIG. 10

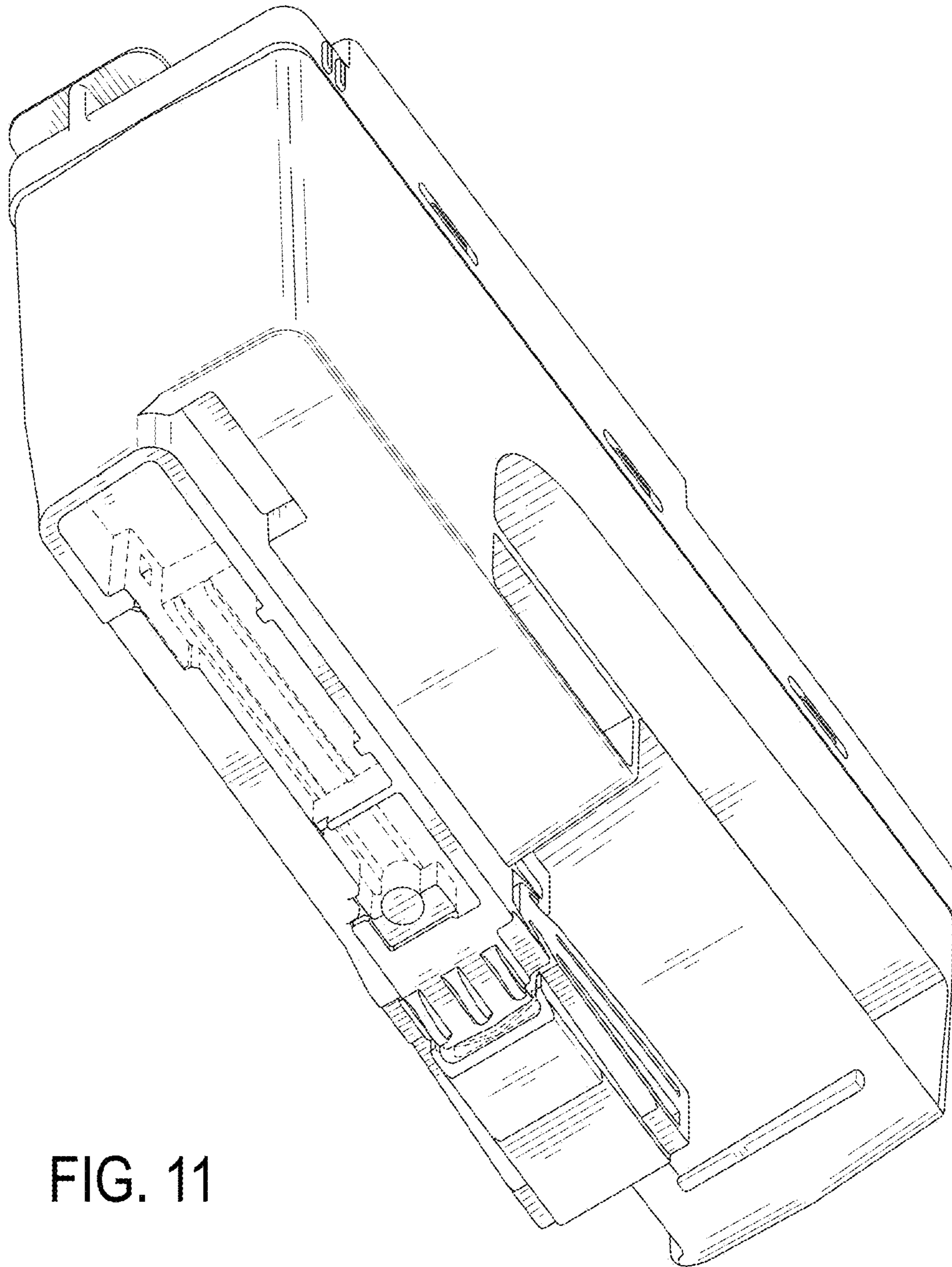


FIG. 11