



US00D865051S

(12) **United States Design Patent** (10) **Patent No.:** **US D865,051 S**
Yokoi et al. (45) **Date of Patent:** **** Oct. 29, 2019**

(54) **TONER CARTRIDGE**

(71) Applicant: **BROTHER INDUSTRIES, LTD.**,
Nagoya-shi, Aichi-ken (JP)

(72) Inventors: **Junichi Yokoi**, Nagoya (JP); **Takuro Kusama**, Kitanagoya (JP); **Hiromitsu Mizutani**, Ichinomiya (JP); **Hiroki Mori**, Nagoya (JP)

(73) Assignee: **BROTHER INDUSTRIES, LTD.**,
Nagoya (JP)

(**) Term: **15 Years**

(21) Appl. No.: **29/632,696**

(22) Filed: **Jan. 9, 2018**

(30) **Foreign Application Priority Data**

Jul. 10, 2017 (JP) 2017-014828

(51) **LOC (12) Cl.** **16-03**

(52) **U.S. Cl.**
USPC **D18/43**

(58) **Field of Classification Search**
USPC D14/299, 301–303, 307, 332, 386,
D14/420–425, 432, 439, 441, 443, 447,
D14/462–471, 474, 480.5, 483–484;
D18/12, 14, 18–19, 36–41, 43–54, 54.1,
D18/55–59, 99

CPC .. G06K 15/12; G06K 15/14; B41J 3/00; B41J
3/28; B41J 11/00; B41J 11/58; B41J
15/12; B41J 15/042; G03G 15/00; G03G
15/0142; H04N 1/00129; H04N 1/00135;
H04N 1/00204; H04N 1/00278
See application file for complete search history.

(56) **References Cited**

U.S. PATENT DOCUMENTS

D506,776 S * 6/2005 Kobayashi D18/43
D507,296 S * 7/2005 Ishii D18/43

D507,595 S * 7/2005 Kobayashi D18/43
D507,596 S * 7/2005 Kobayashi D18/43
D531,661 S * 11/2006 Ishii D18/43
D533,215 S * 12/2006 Ishii D18/43
D638,051 S * 5/2011 Sato D18/43
D638,052 S * 5/2011 Sato D18/43
D638,054 S * 5/2011 Sato D18/43
D638,055 S * 5/2011 Sato et al.
D647,956 S * 11/2011 Kweon D18/43
D705,349 S * 5/2014 Choi D18/43
D718,381 S * 11/2014 Itabashi D18/43
D723,614 S * 3/2015 Shimizu D18/43
D772,336 S * 11/2016 Fan D18/43
D810,193 S * 2/2018 Etoh D18/43
D823,381 S * 7/2018 Shao D18/43
D833,519 S * 11/2018 Yang D18/43
D833,520 S * 11/2018 Yang D18/43

* cited by examiner

Primary Examiner — Cathron C Brooks

Assistant Examiner — Andrew T Nemeth

(74) *Attorney, Agent, or Firm* — Oliff PLC

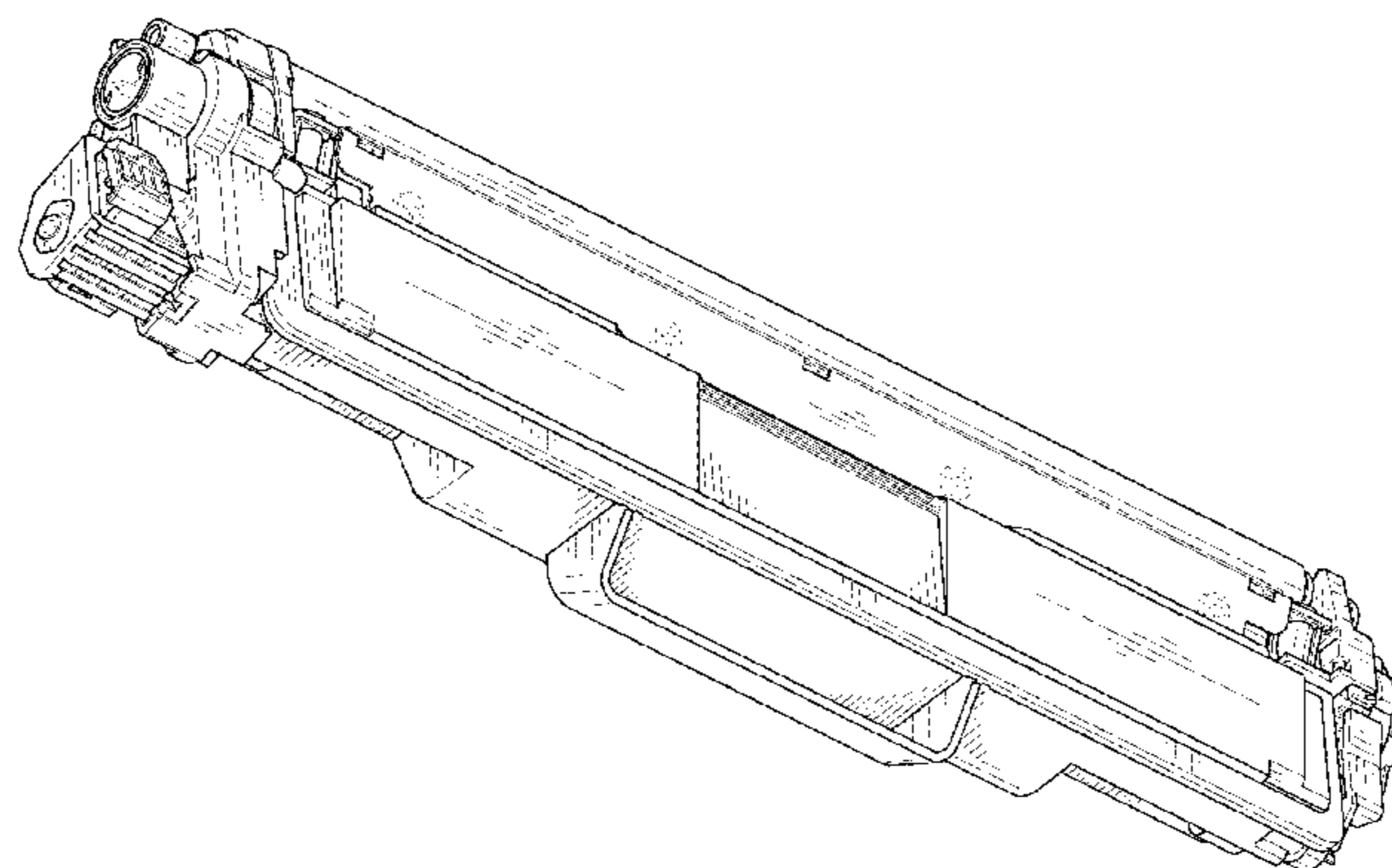
(57) **CLAIM**

The ornamental design for a toner cartridge, as shown and described.

DESCRIPTION

FIG. 1 is a front perspective view of a toner cartridge;
FIG. 2 is a front view thereof;
FIG. 3 is a top view thereof;
FIG. 4 is a right-side view thereof;
FIG. 5 is a left-side view thereof;
FIG. 6 is a rear view thereof;
FIG. 7 is a bottom view thereof; and,
FIG. 8 is a rear perspective view thereof.
The evenly spaced broken lines depict environmental subject matter only and form no part of the claimed design.

1 Claim, 5 Drawing Sheets



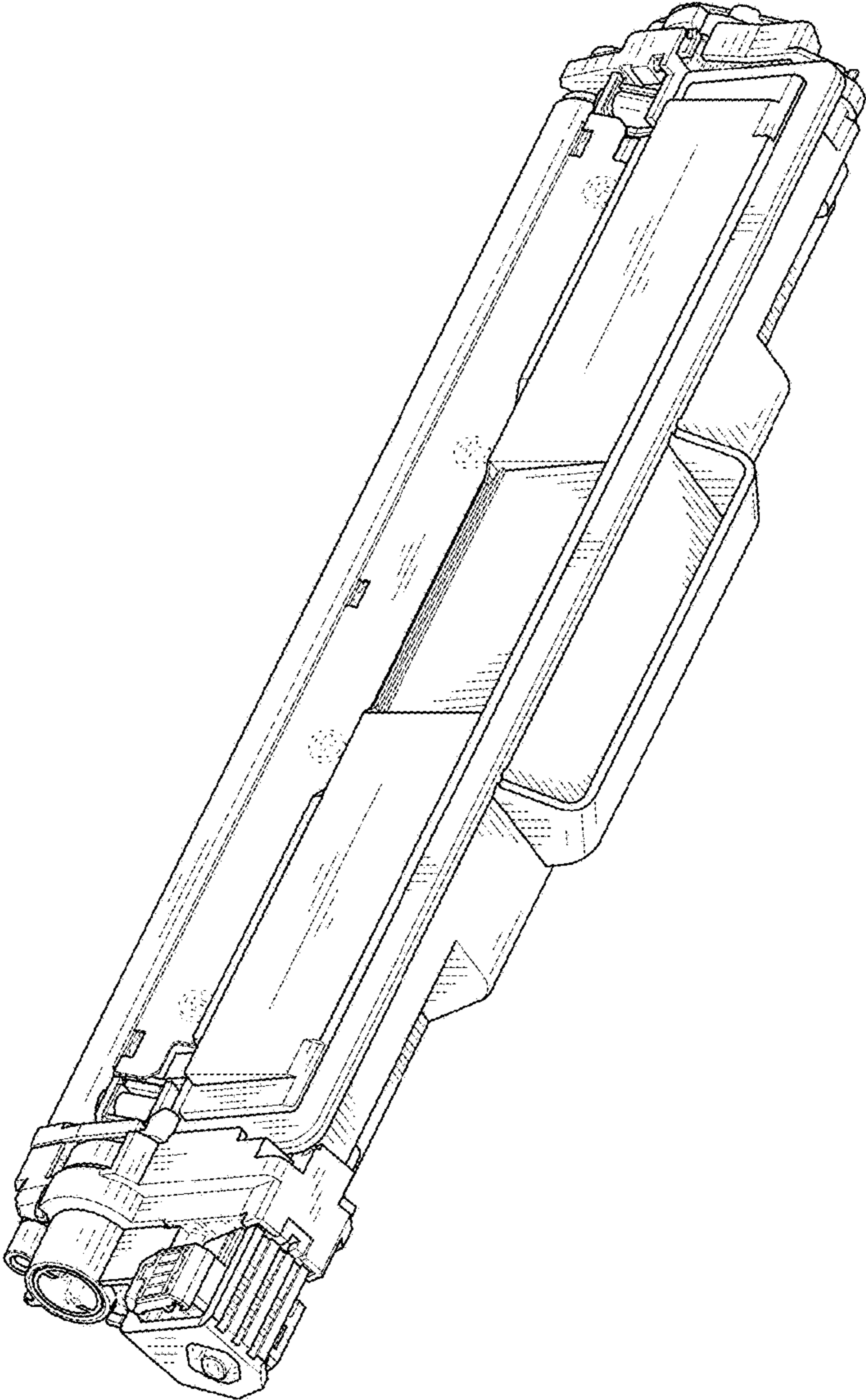


FIG. 1

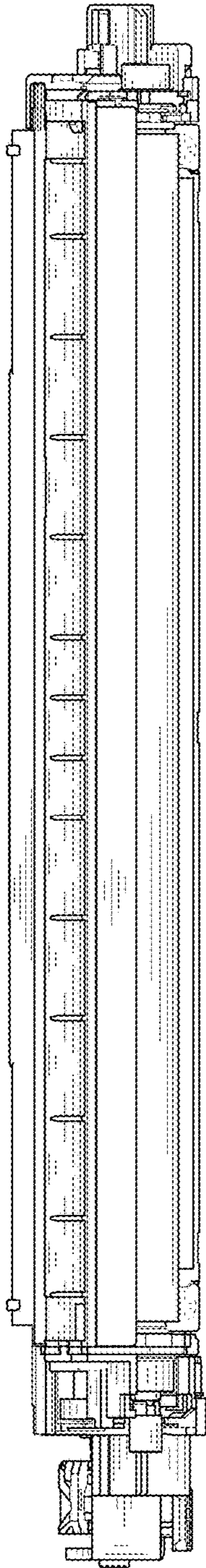


FIG. 3

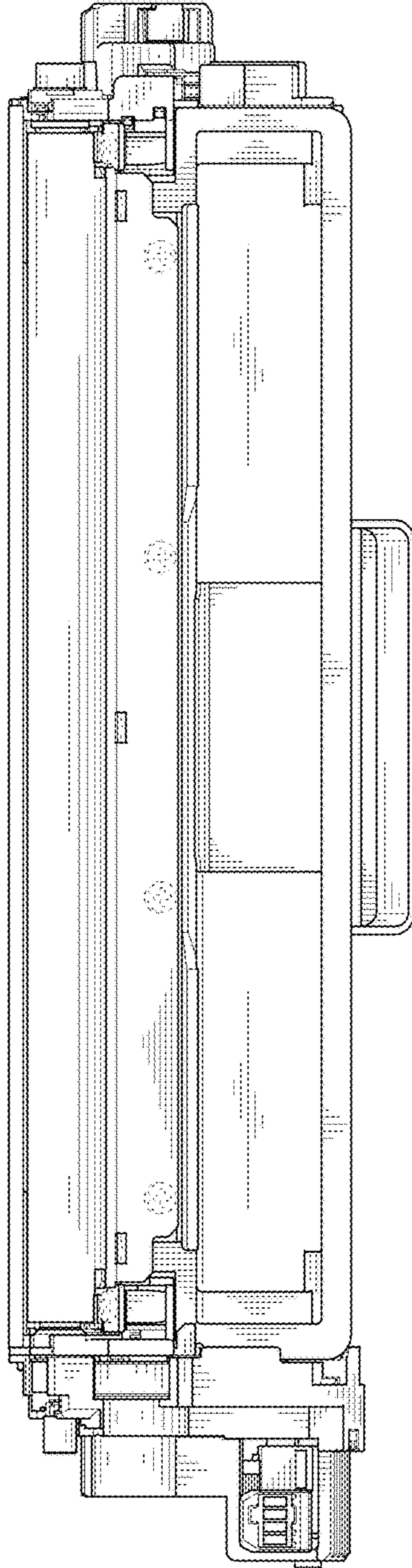


FIG. 2

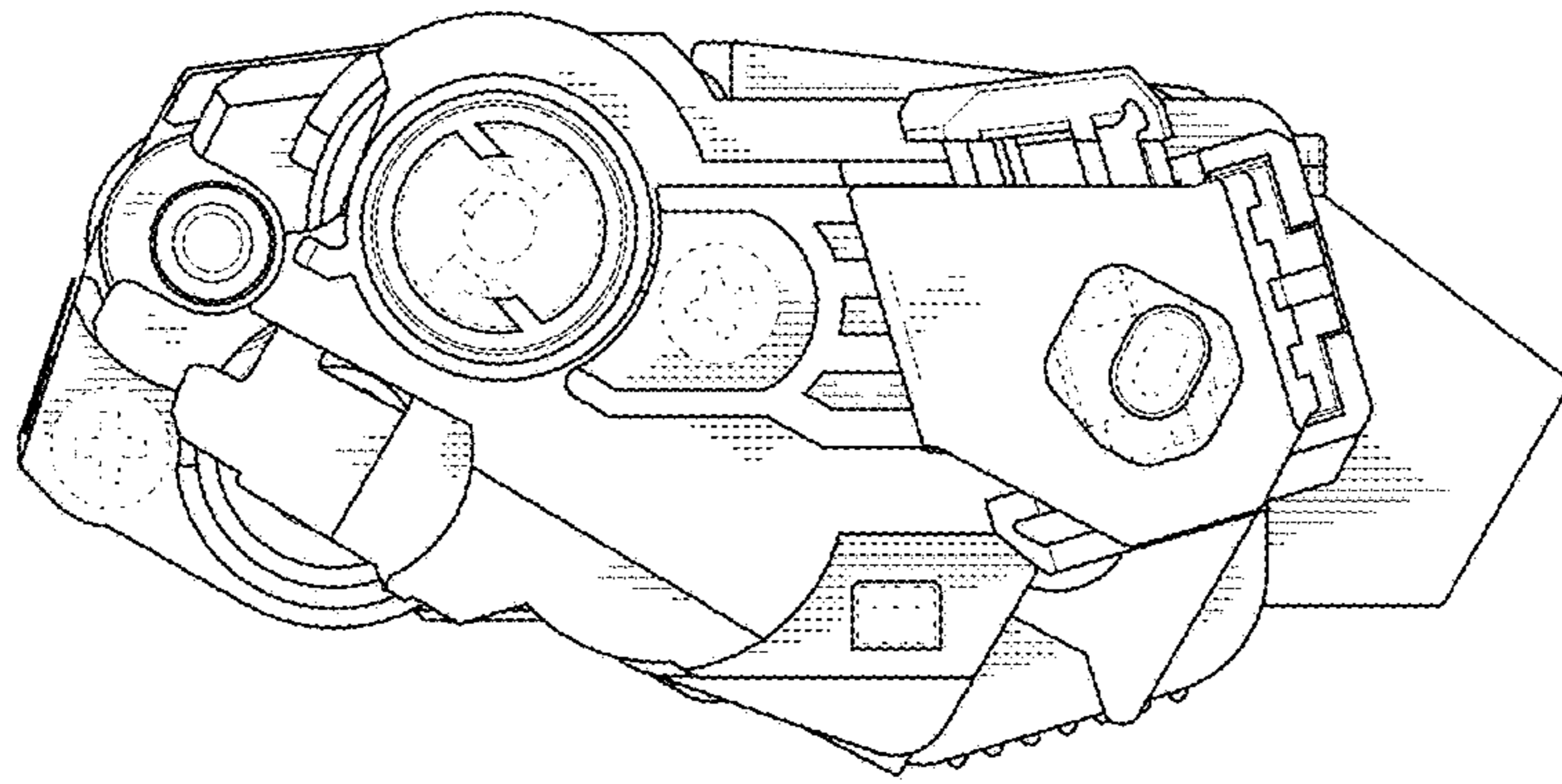


FIG. 5

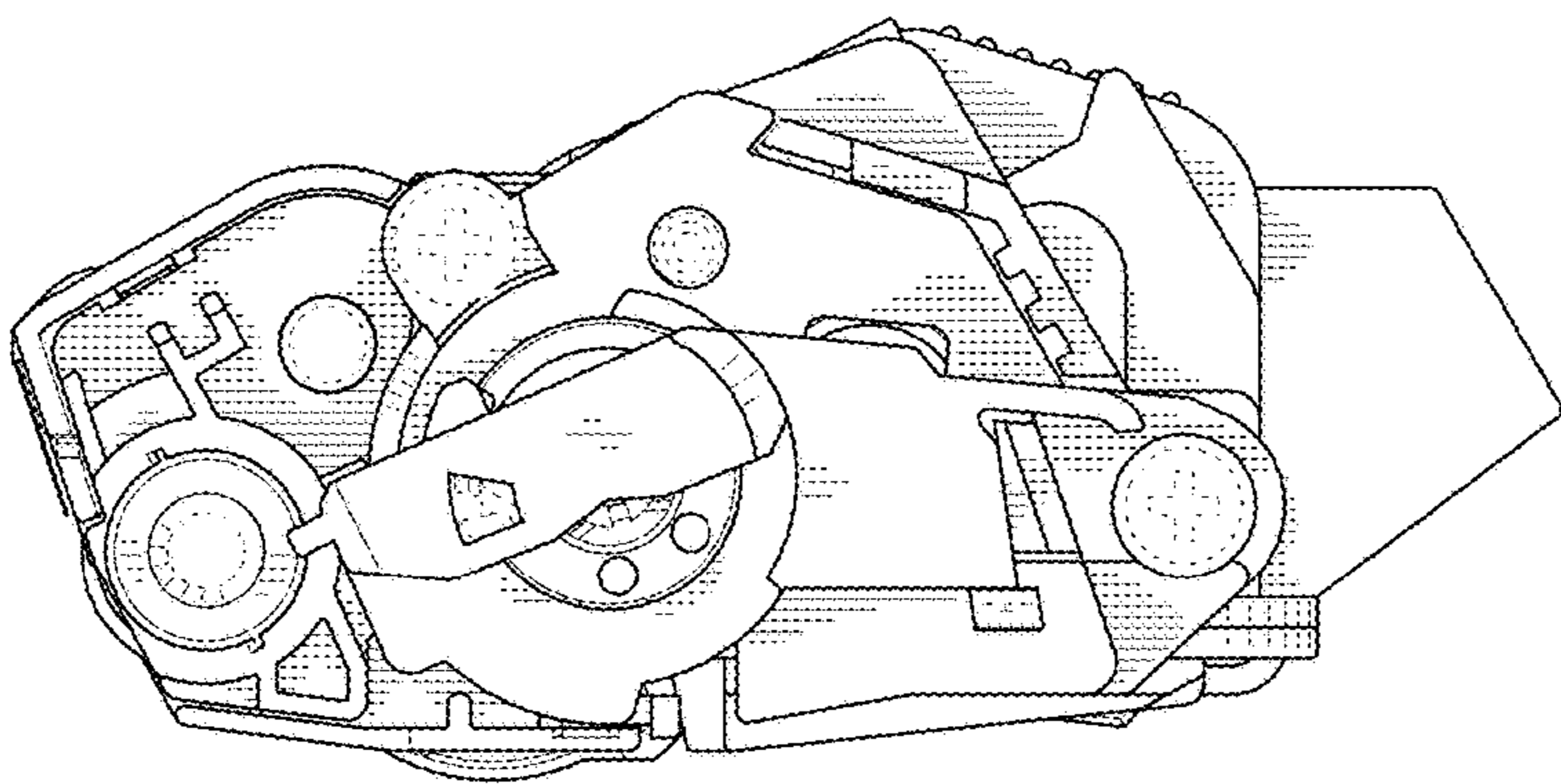


FIG. 4

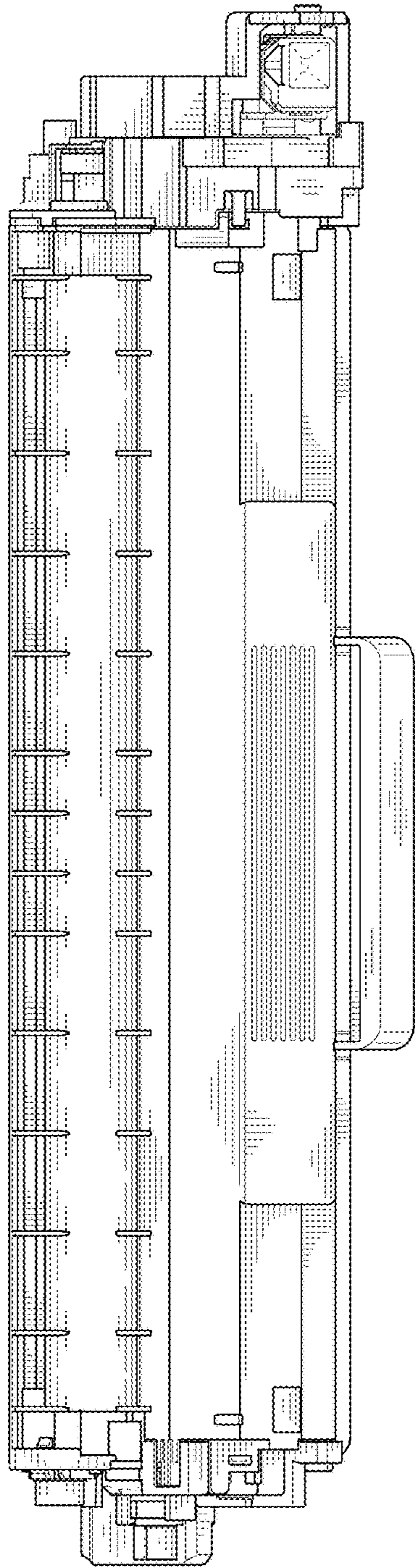


FIG. 6

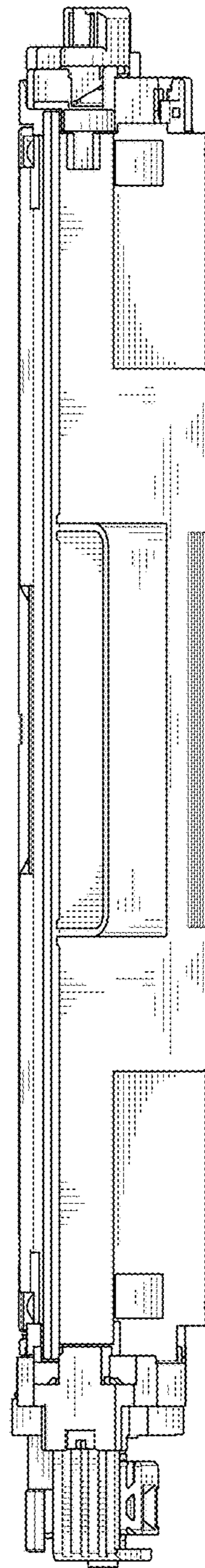


FIG. 7

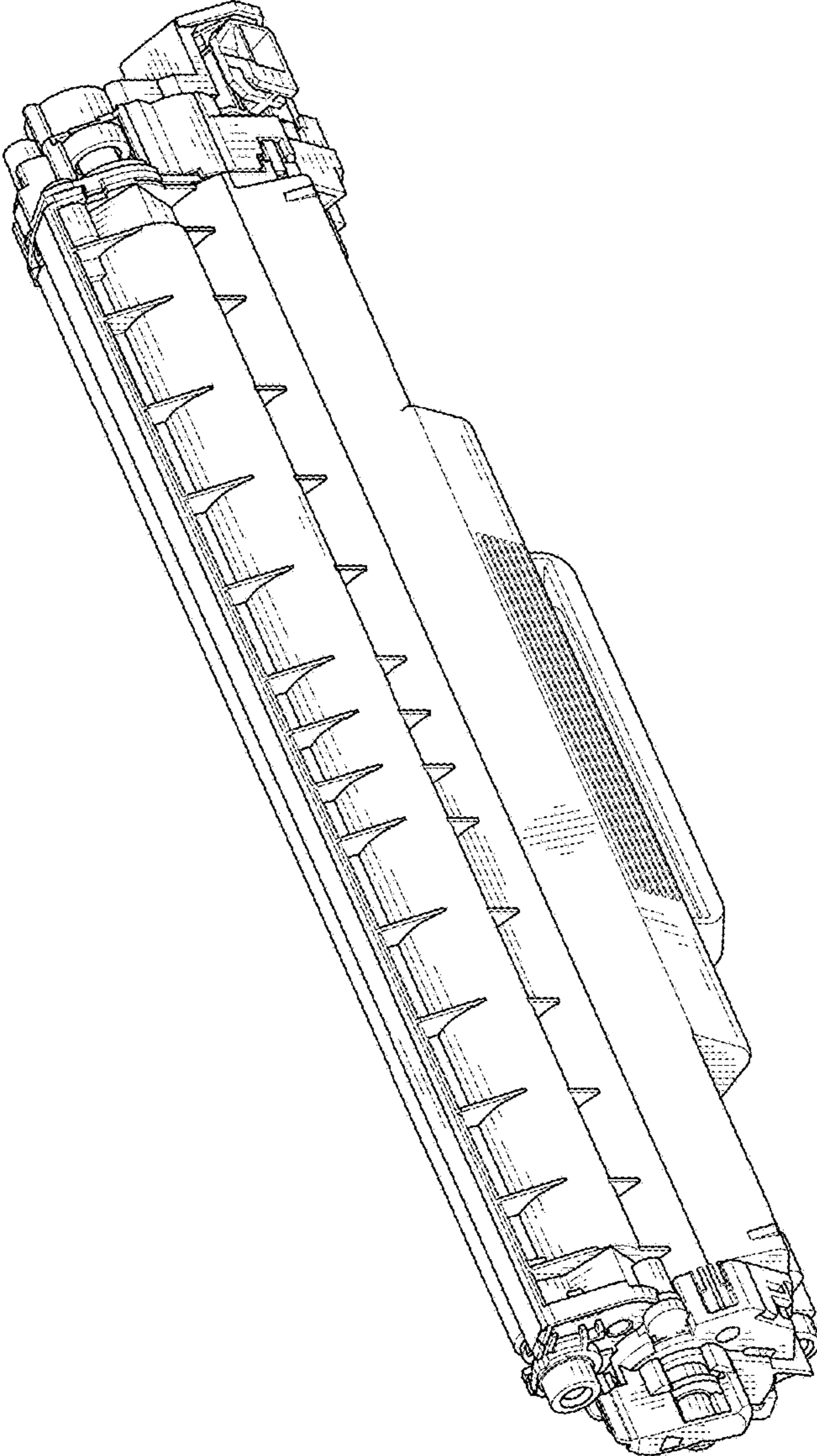


FIG. 8