



US00D865050S

(12) **United States Design Patent** (10) **Patent No.:** **US D865,050 S**
Tashima et al. (45) **Date of Patent:** **** *Oct. 29, 2019**

- (54) **TONER CARTRIDGE**
- (71) Applicant: **BROTHER INDUSTRIES, LTD.**,
Nagoya-shi, Aichi-ken (JP)
- (72) Inventors: **Kazuhisa Tashima**, Nagoya (JP);
Yasutake Yamaguchi, Nagoya (JP)
- (73) Assignee: **BROTHER INDUSTRIES, LTD.**,
Nagoya (JP)
- (*) Notice: This patent is subject to a terminal disclaimer.
- (**) Term: **15 Years**
- (21) Appl. No.: **29/605,384**
- (22) Filed: **May 25, 2017**
- (30) **Foreign Application Priority Data**
Nov. 29, 2016 (JP) 2016-25835
- (51) **LOC (12) Cl.** **16-03**
- (52) **U.S. Cl.**
USPC **D18/43**
- (58) **Field of Classification Search**
USPC D18/40-45, 56; D5/61
CPC G03G 15/0894; G03G 15/0896; G03G 15/0898; G03G 21/1661; G03G 21/1666; G03G 21/1671; G03G 21/1676; G03G 21/168; G03G 21/1685; G03G 21/169; G03G 21/1695; G03G 21/18; G03G 21/1803; G03G 21/1807; G03G 15/0868; G03G 15/087; G03G 15/0872; G03G 15/0874; G03G 15/0875; G03G 15/0877
See application file for complete search history.

- (56) **References Cited**
U.S. PATENT DOCUMENTS
4,611,219 A * 9/1986 Sugitani B05B 1/14
347/40

5,177,323 A * 1/1993 Kohyama G03G 15/0815
399/222

(Continued)

FOREIGN PATENT DOCUMENTS

GB 2084178 * 9/1999

OTHER PUBLICATIONS

Trademark Electronic Search System. <URL: <http://tess2.uspto.gov/>> Brother Industries, Ltd. serial No. 87282009, filed Dec. 27, 2016.*

(Continued)

Primary Examiner — Susan Bennett Hattan
Assistant Examiner — Lauren D McVey
(74) *Attorney, Agent, or Firm* — Oliff PLC

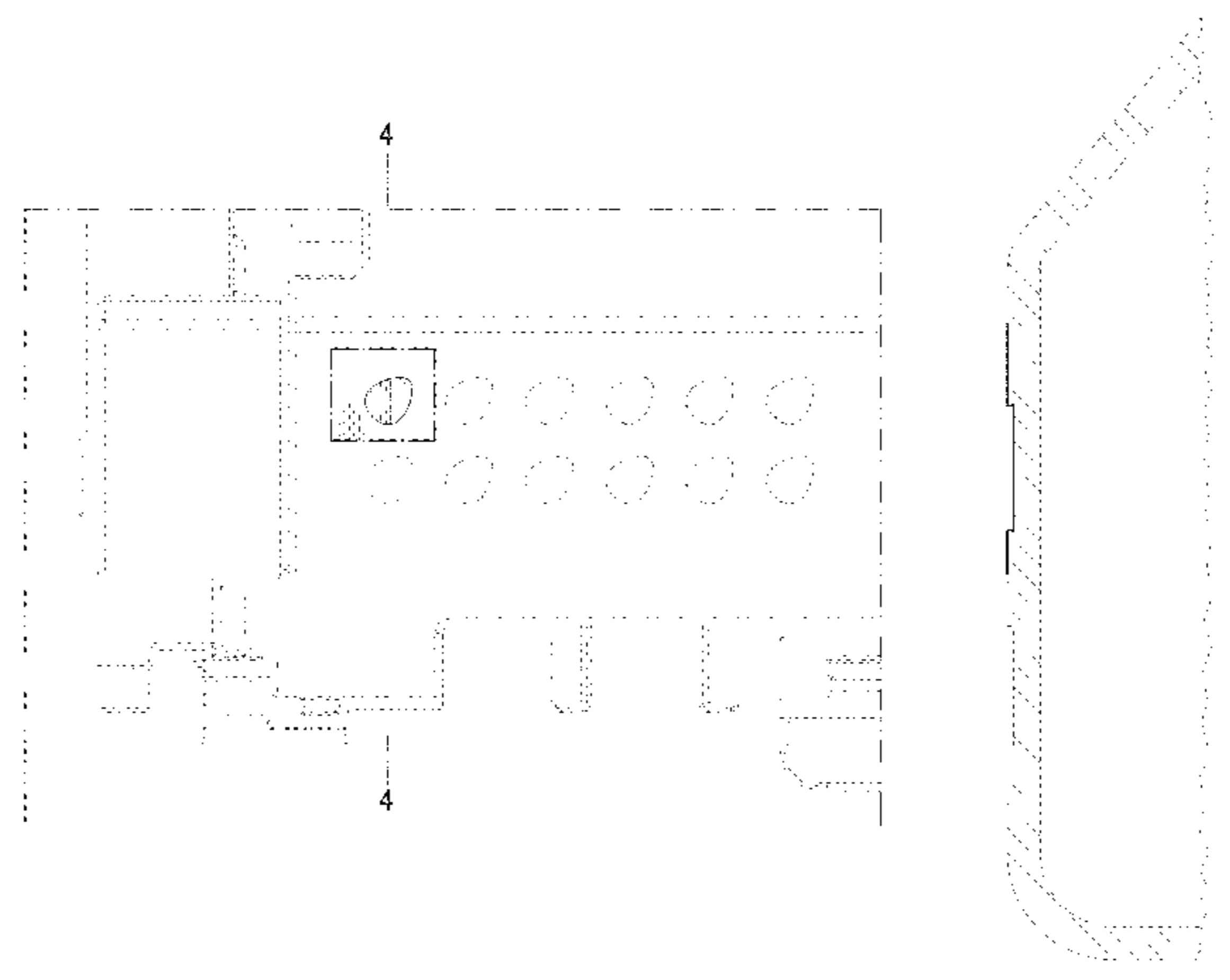
(57) **CLAIM**

The ornamental design for a toner cartridge, as shown and described.

DESCRIPTION

FIG. 1 is a perspective view of a toner cartridge, showing our new design;
FIG. 2 is a top plan view thereof;
FIG. 3 is an enlarged, partial view of FIG. 2 thereof; and, FIG. 4 is a cross-sectional view shown along line 4-4 in FIG. 3.
The broken lines depict unclaimed portions of the toner cartridge and form no part of the claimed design. The dot-dash chain lines immediately adjacent to the claim represent the bounds of the claimed design, while all evenly spaced broken lines are directed to environment. The dot-dot-dash broken lines encircling portions of FIG. 2 and FIG. 3 are for the purpose of illustrating a partially enlarged view, are for illustrative purposes only, and form no part of the claimed design. In addition, the dot-dot-dash broken lines in FIG. 3 are used to identify the cross-sectional view, are for illustrative purposes only, and form no part of the claimed design.

1 Claim, 4 Drawing Sheets



(56)

References Cited

U.S. PATENT DOCUMENTS

D358,418 S * 5/1995 Broder D18/56
 D359,304 S * 6/1995 Smith D18/43
 D412,010 S * 7/1999 Lindley 206/820
 D464,370 S * 10/2002 Kunihiro D18/43
 D477,358 S * 7/2003 Cahill 347/86
 6,763,215 B1 * 7/2004 Jones G03G 15/0886
 222/DIG. 1
 7,078,604 B2 * 7/2006 Rapaport G10D 3/163
 84/322
 D568,928 S * 5/2008 Hori D18/43
 D611,092 S * 3/2010 Nakazawa D18/56
 9,835,980 B2 * 12/2017 Daniels G03G 15/0884
 2009/0003873 A1 * 1/2009 Martinez G03G 21/181
 399/109

OTHER PUBLICATIONS

Pick Collecting Quarterly. <URL: [displaying-guitar-picks.> Feb. 28, 2010. Pixxs Guitar Pick Collector holder.*](http://pickcollecting.presspublisher.us/issue/spring-2010/article/ultra-cool-inserts-and-frames-for-</p>
</div>
<div data-bbox=)

Creating Emorelle. <URL: <https://creatingemorelle.wordpress.com/2016/07/29/diy-guitar-picks-display-tutorial/>> Jul. 29, 2016. Guitar picks display tutorial.*

Trademark Electronic Search System. <URL: <http://tess2.uspto.gov/>> SmithKline Beecham Limited Incorporated Company. serial No. 79147643, filed Aug. 23, 2013.*

Sora Shop. <URL: <http://www.sora-shop.com/SORA-Magnetic-Frames/Guitar-Pick-Case-for-12-Picks.html>> visited Mar. 13, 2018. Acrylic guitar pick holder.*

Etsy. <URL: <https://www.etsy.com/listing/200753510/guitar-pick-holder-black-walnut-hard>> Jul. 17, 2017. Wood and felt magnetic guitar pick holder.*

USPTO Trademarks. Link: http://tsdr.uspto.gov/#caseNumber=79147643&caseType=SERIAL_NO&searchType=statusSearch. May 5, 2015. Trademark serial No. 79147643. (Year: 2015).*

U.S. Trademark Application No. 87282009 filed on Dec. 27, 2016 in the name of Brother Industries, Ltd.

* cited by examiner

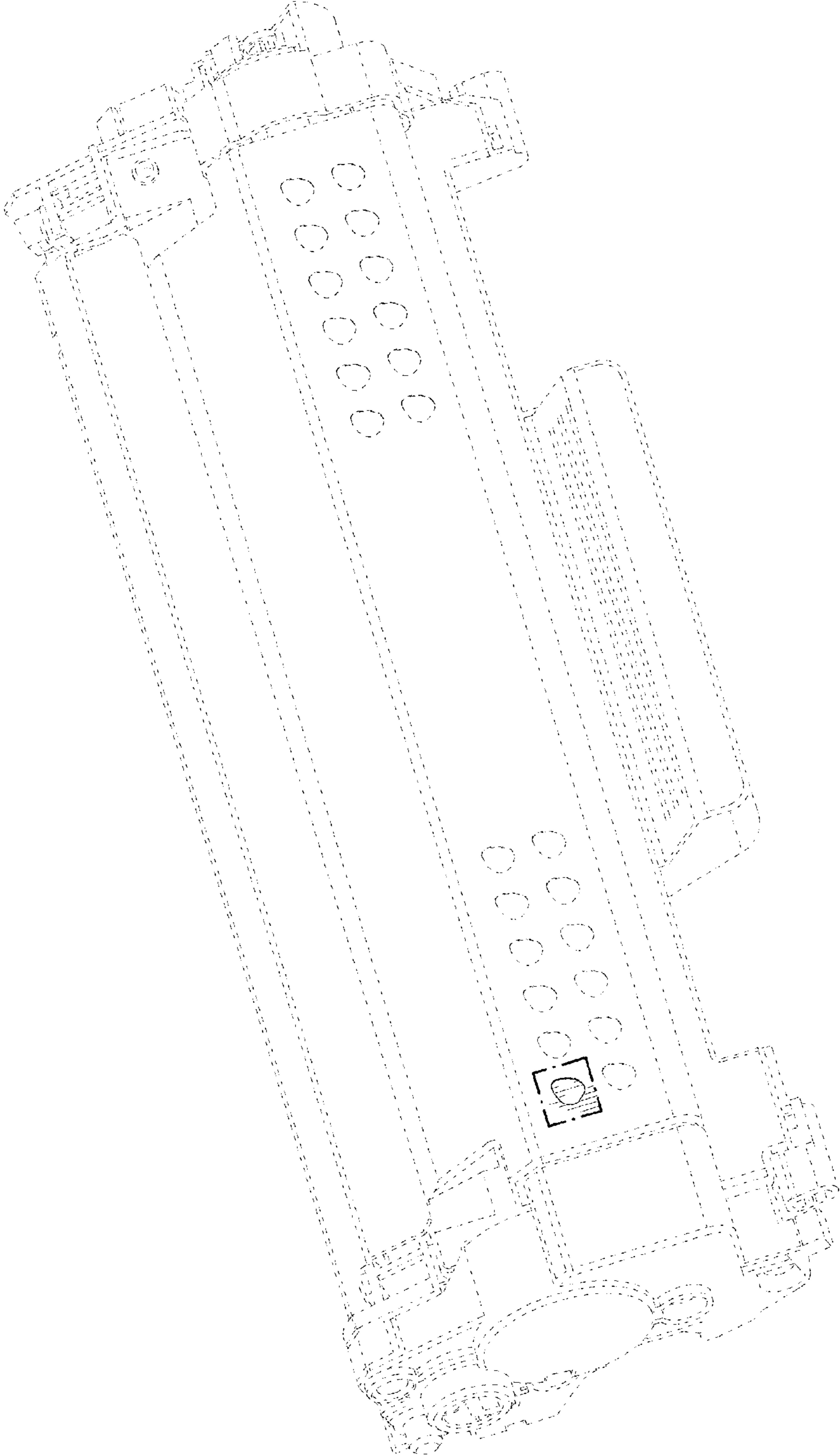


FIG. 1

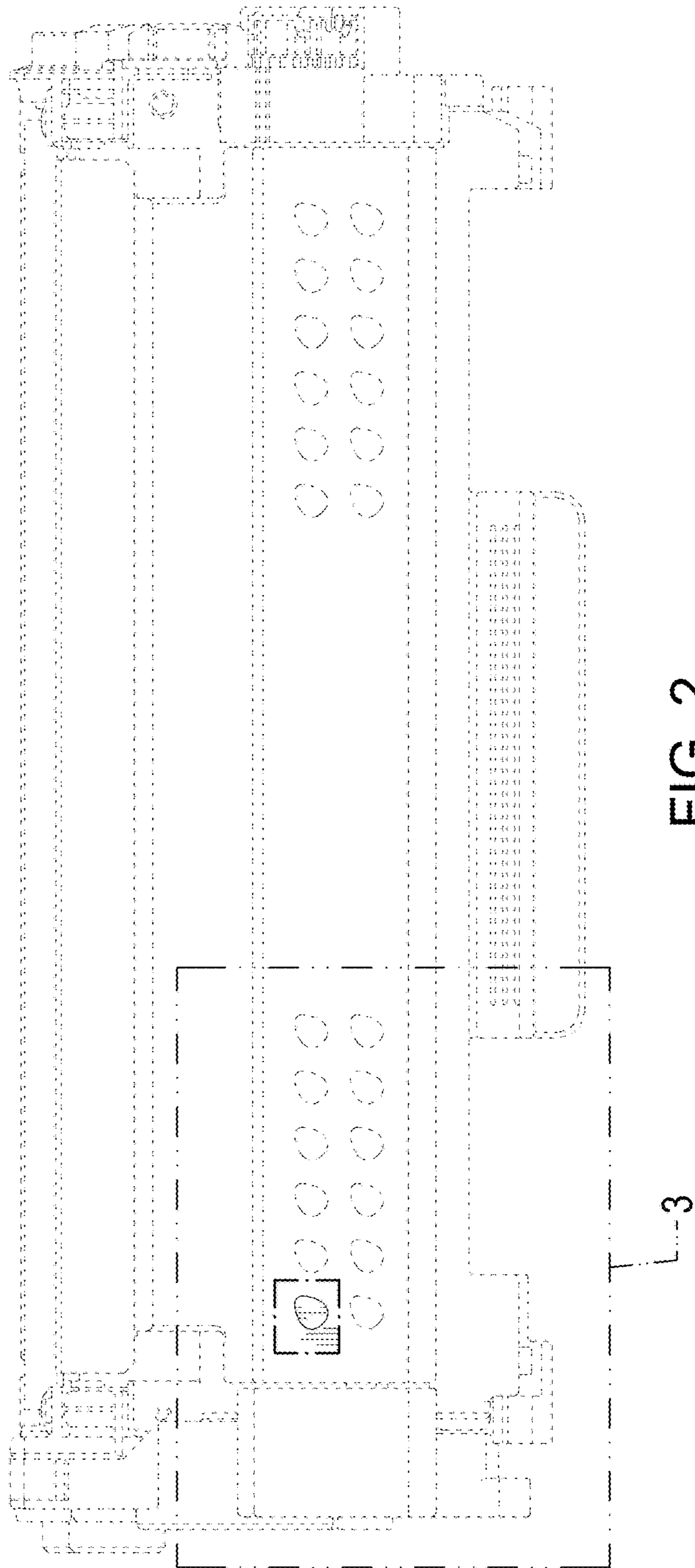


FIG. 2

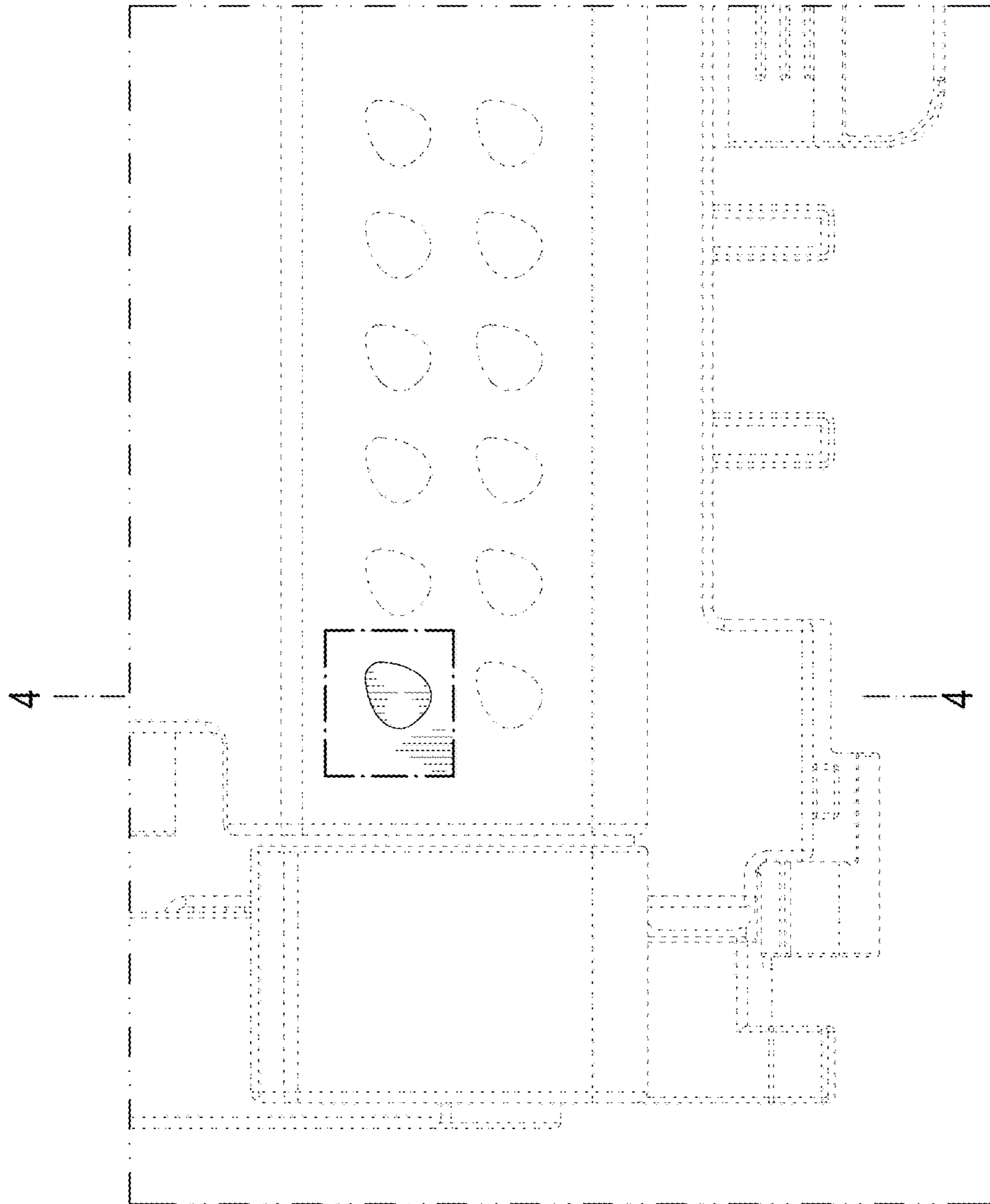


FIG. 3

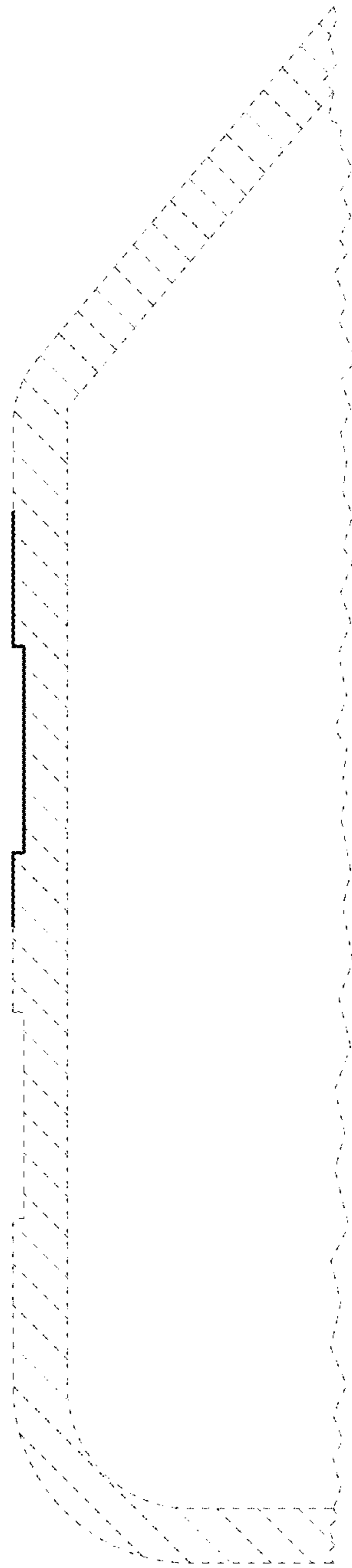


FIG. 4