



US00D865048S

(12) **United States Design Patent**
Nakamura

(10) **Patent No.:** **US D865,048 S**

(45) **Date of Patent:** **** Oct. 29, 2019**

(54) **WEIGHT FOR PERCUSSION**

(71) Applicant: **YAMAHA CORPORATION,**
Hamamatsu-shi (JP)

(72) Inventor: **Risa Nakamura,** Hamamatsu (JP)

(73) Assignee: **YAMAHA CORPORATION,**
Hamamatsu-shi, Shizuoka (JP)

(**) Term: **15 Years**

(21) Appl. No.: **29/645,803**

(22) Filed: **Apr. 30, 2018**

(51) **LOC (12) Cl.** **17-04**

(52) **U.S. Cl.**
USPC **D17/22**

(58) **Field of Classification Search**
USPC D17/22, 99; D21/405, 406
CPC G10D 13/00; G10D 13/003; G10D 13/023;
G10D 13/024; G10D 13/025; G10D
13/026

See application file for complete search history.

(56) **References Cited**

U.S. PATENT DOCUMENTS

- D353,612 S * 12/1994 Yanagisawa D17/22
- D387,375 S * 12/1997 Bacco D17/22
- D453,178 S * 1/2002 Reyes D17/22
- D464,986 S * 10/2002 Hagiwara D17/22
- D489,751 S * 5/2004 Liao D17/22
- D490,838 S * 6/2004 Liao D17/22

- D516,116 S * 2/2006 Webb D17/22
- D720,390 S * 12/2014 Hudson D17/22
- D763,953 S * 8/2016 Kenkman D17/22
- D780,836 S * 3/2017 Kenkman D17/22
- D835,711 S * 12/2018 Kenkman D17/22

* cited by examiner

Primary Examiner — R. Johnson

(74) *Attorney, Agent, or Firm* — Sughrue Mion, PLLC

(57) **CLAIM**

The ornamental design for a weight for percussion, as shown and described.

DESCRIPTION

FIG. 1 is a perspective view of the front, bottom and left side of a weight for percussion showing my new design;
 FIG. 2 is a front view thereof;
 FIG. 3 is a rear view thereof;
 FIG. 4 is a left side view thereof;
 FIG. 5 is a right side view thereof;
 FIG. 6 is a top view thereof;
 FIG. 7 is a bottom view thereof; and,
 FIG. 8 is a perspective view thereof, showing the design in use.

The broken lines illustrate the portions of the weight for percussion and the environmental structure that form no part of the claimed design.

1 Claim, 6 Drawing Sheets

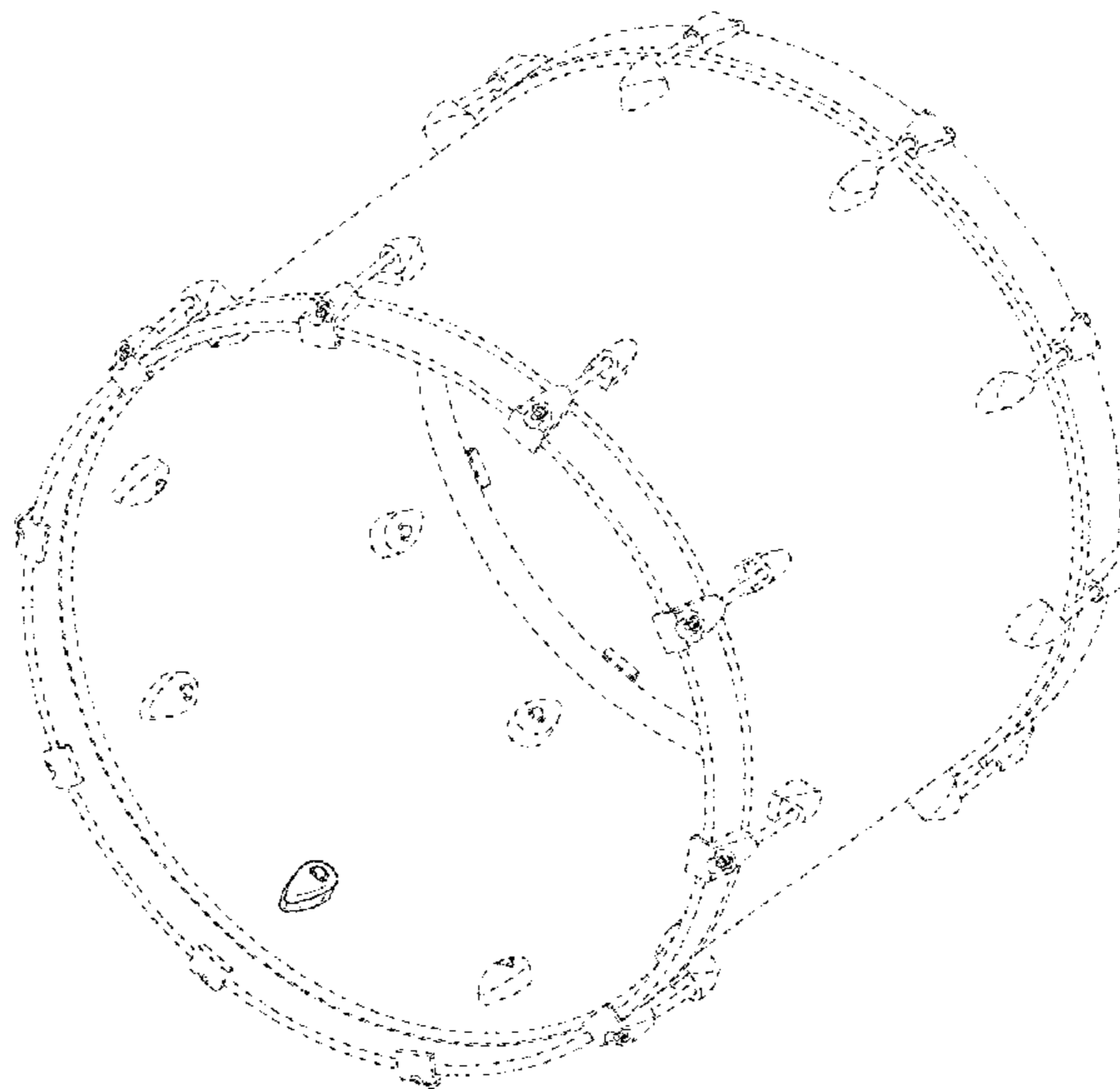
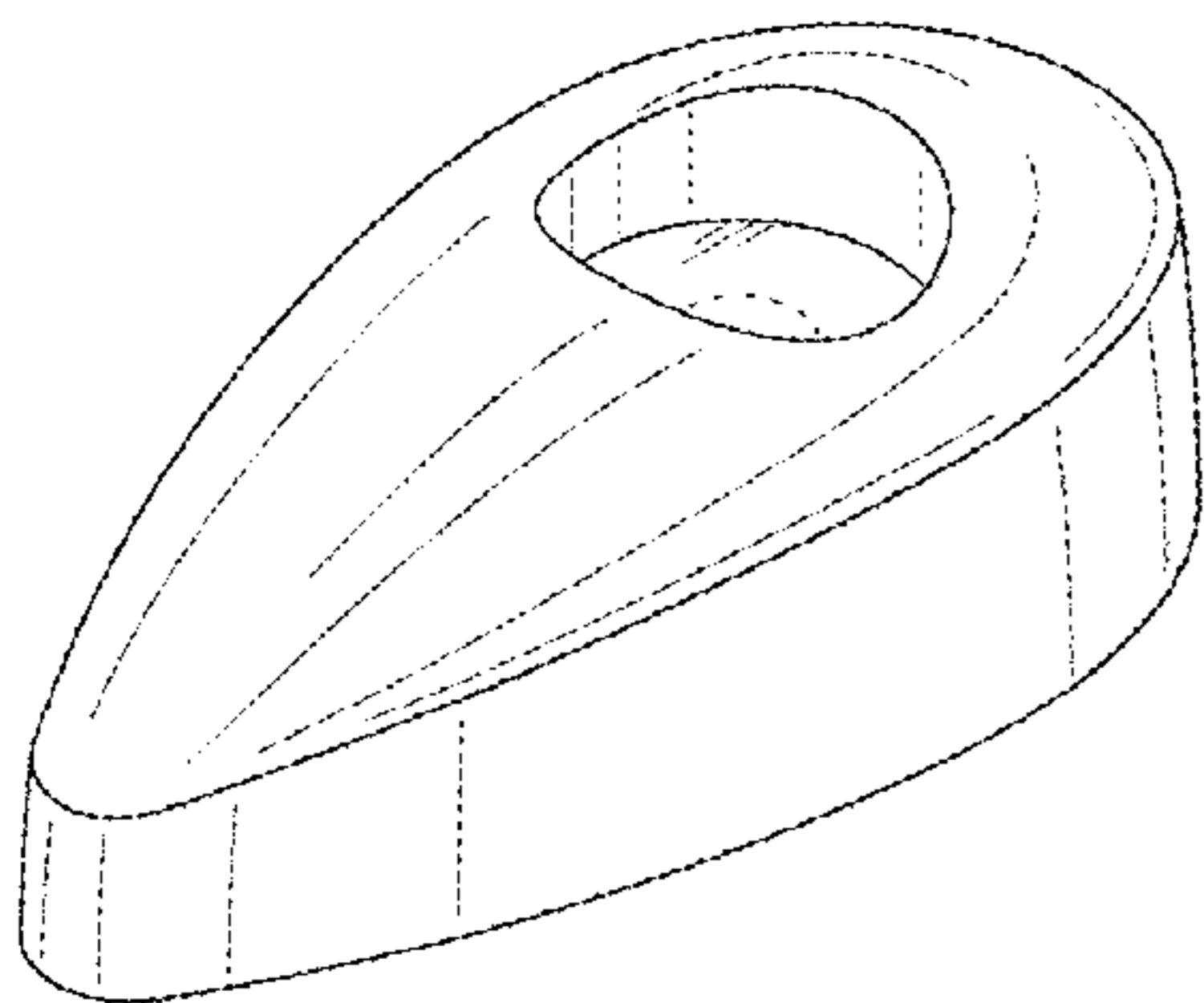


FIG. 1

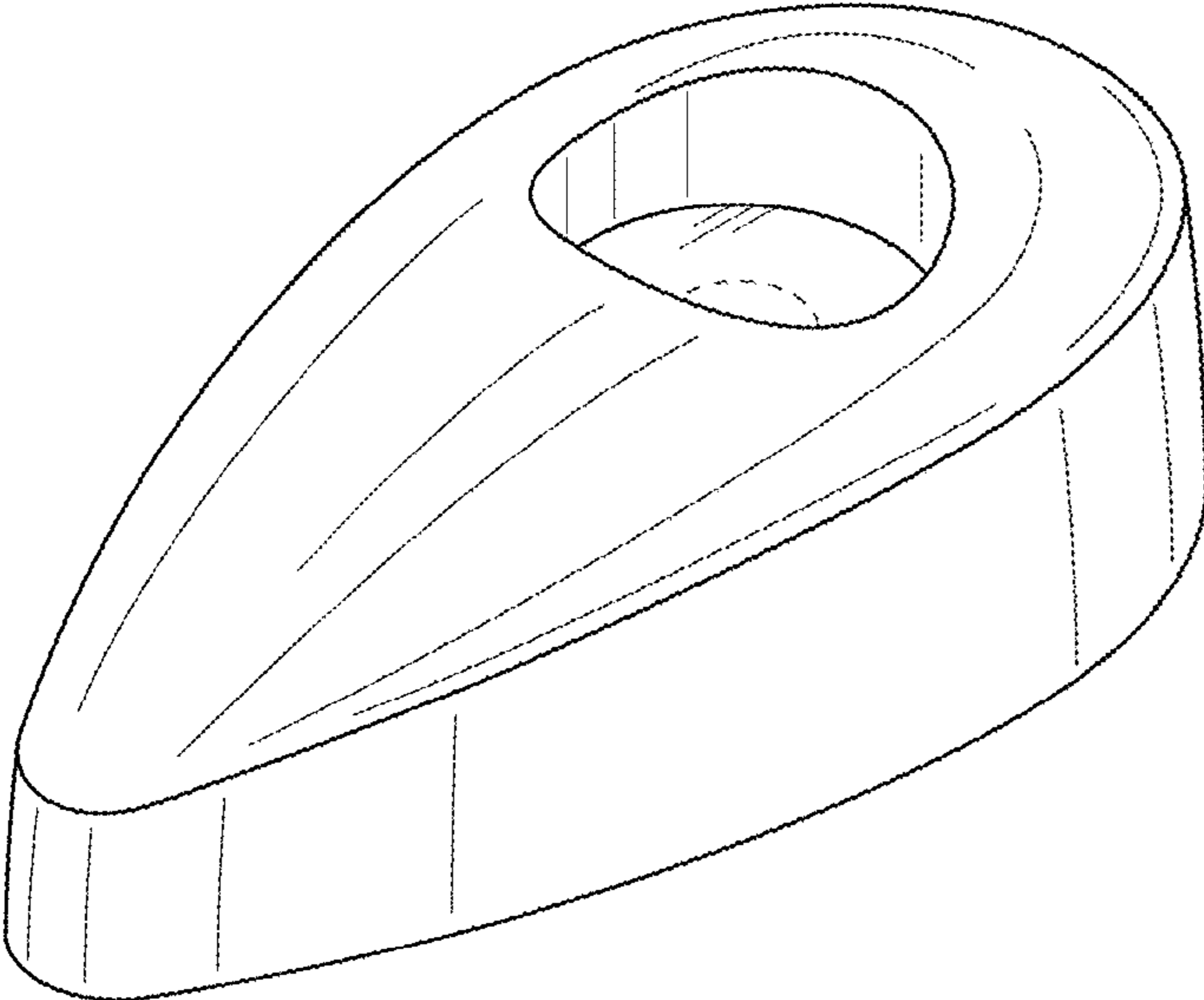


FIG. 2

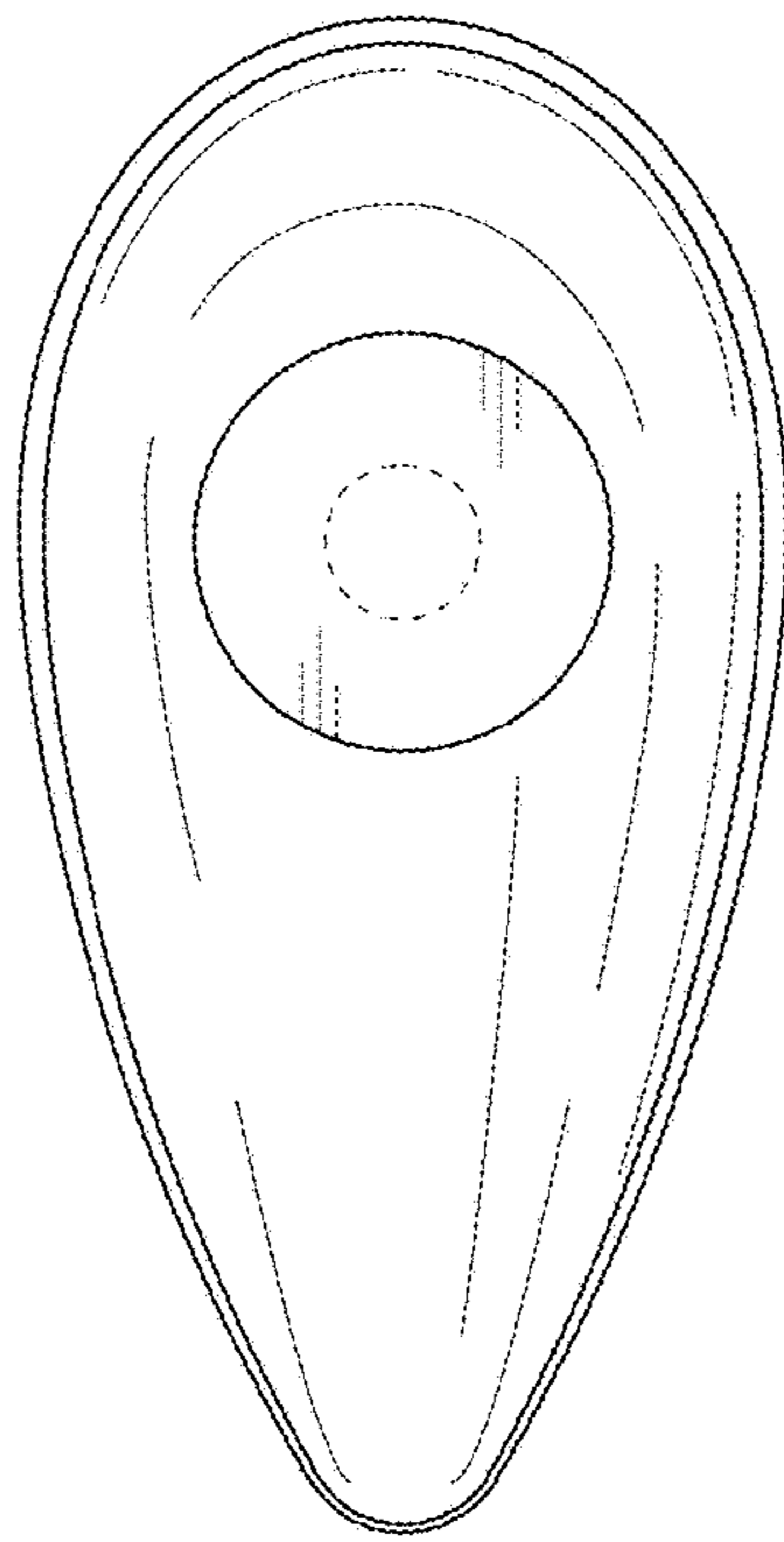


FIG. 3

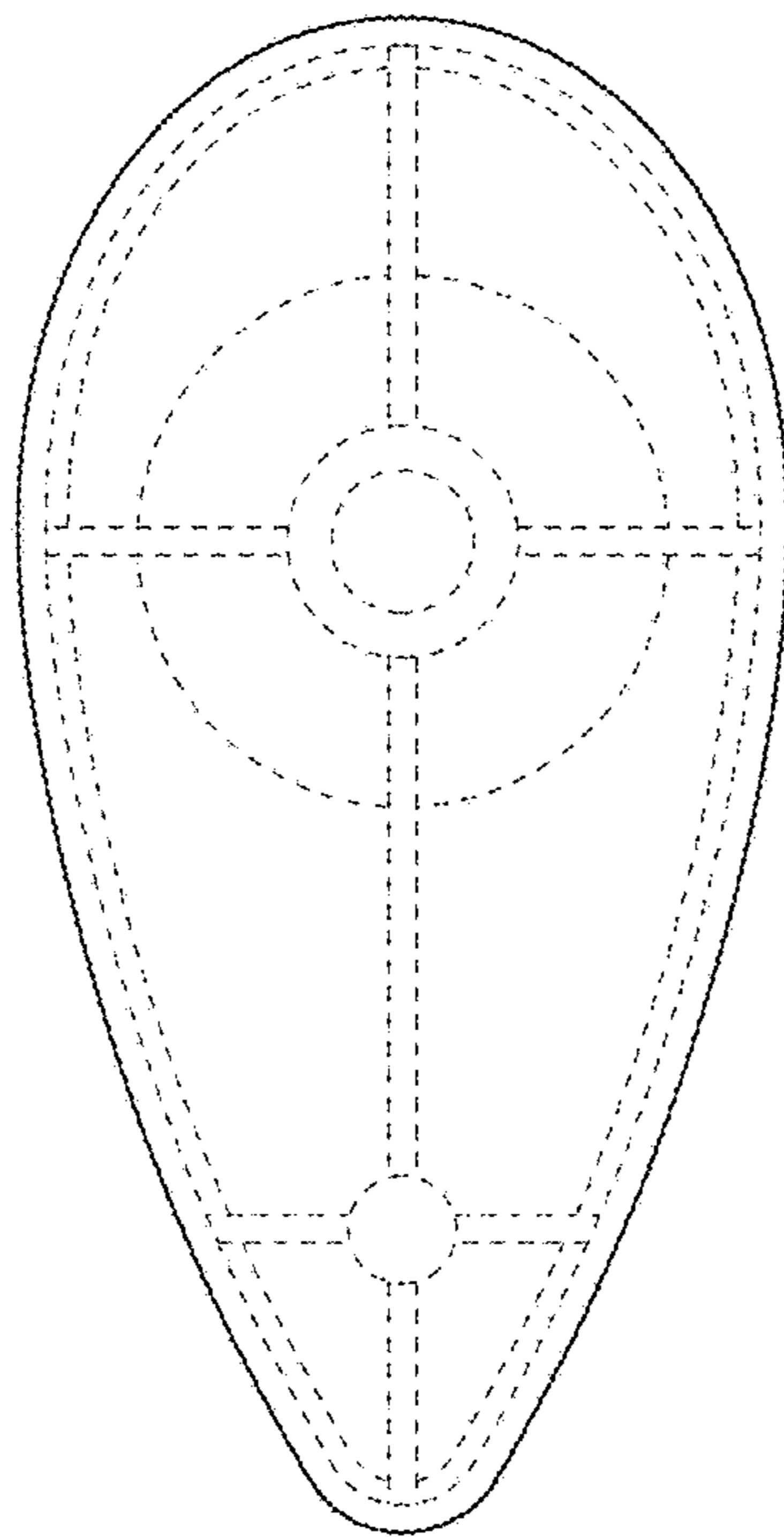


FIG. 4

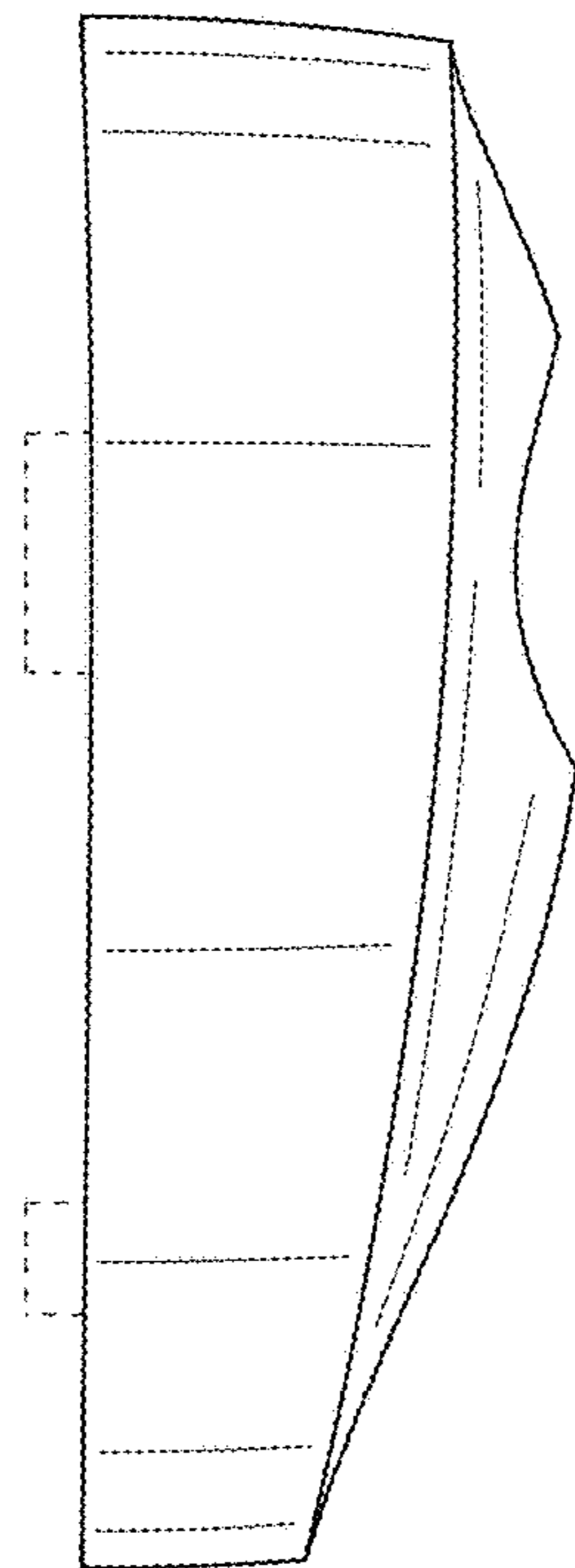


FIG. 5

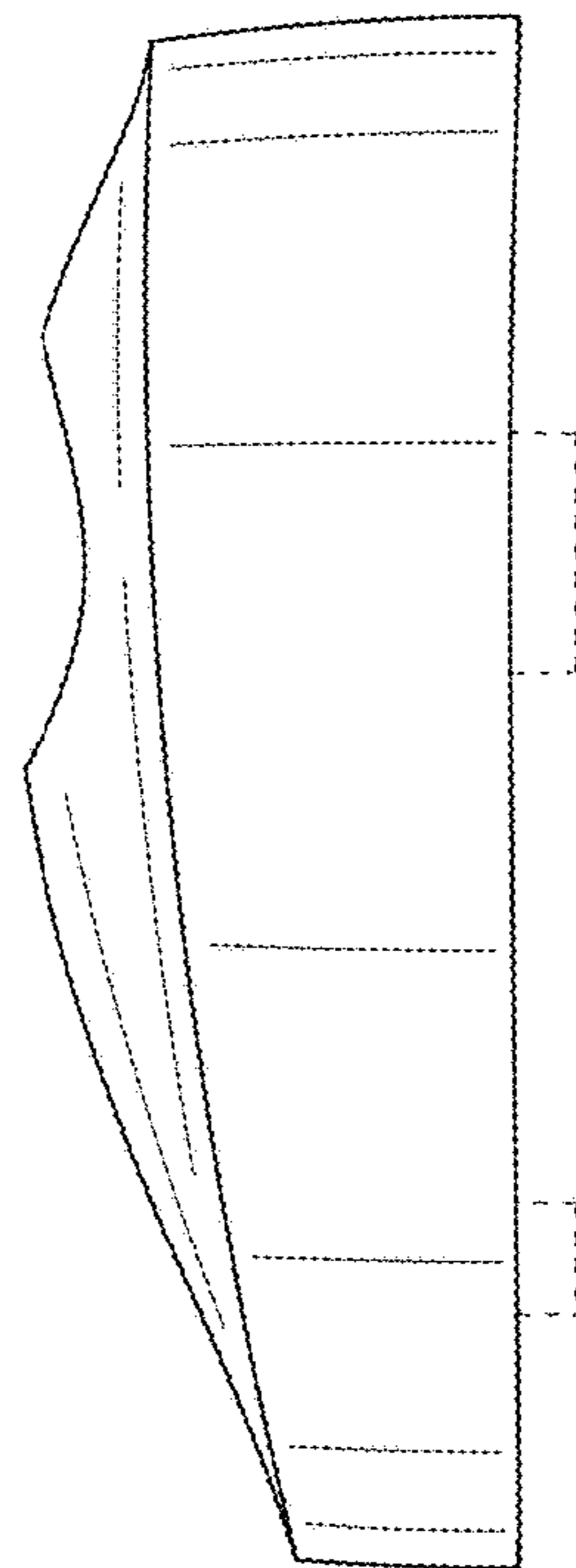


FIG. 6

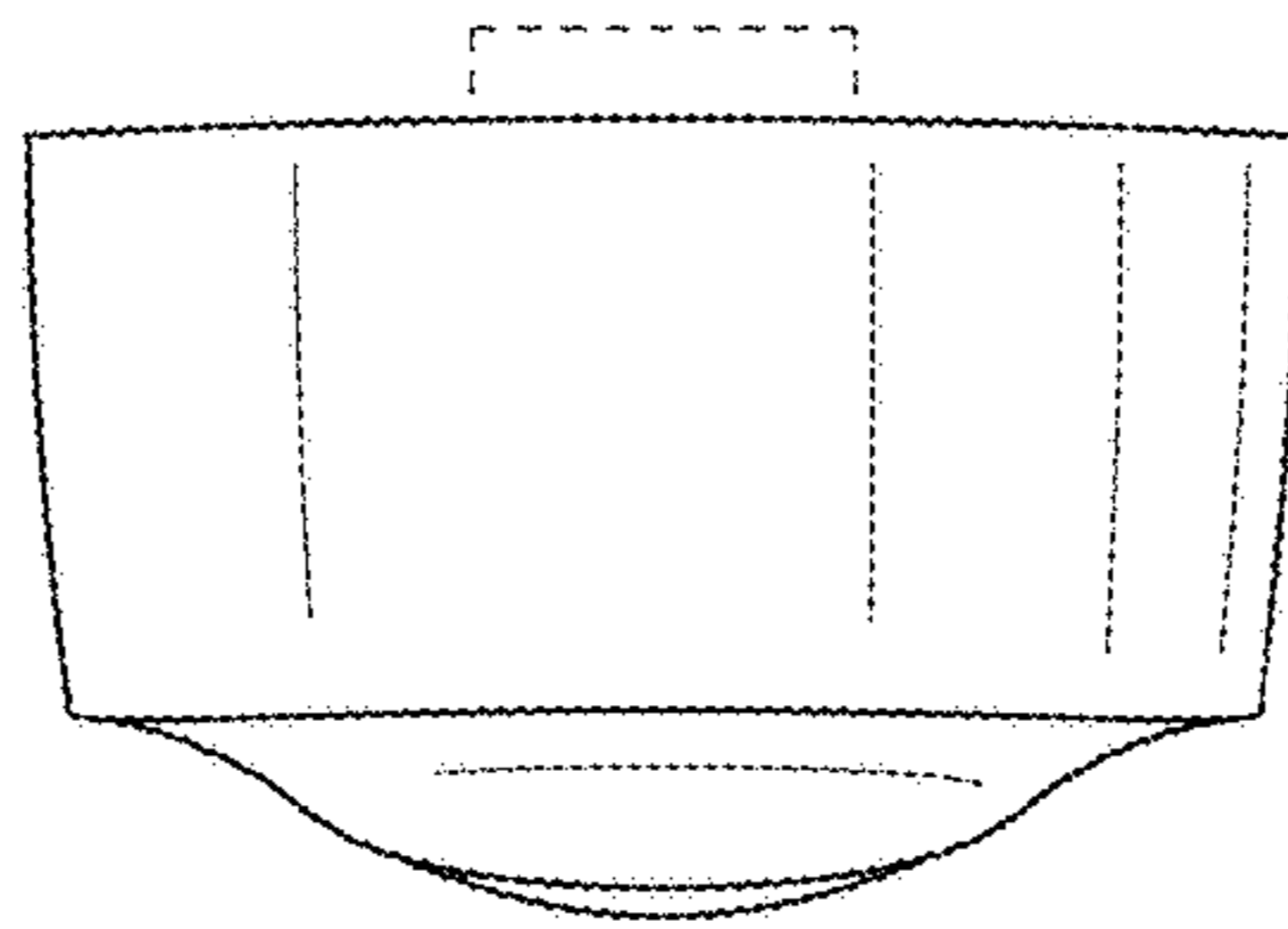


FIG. 7

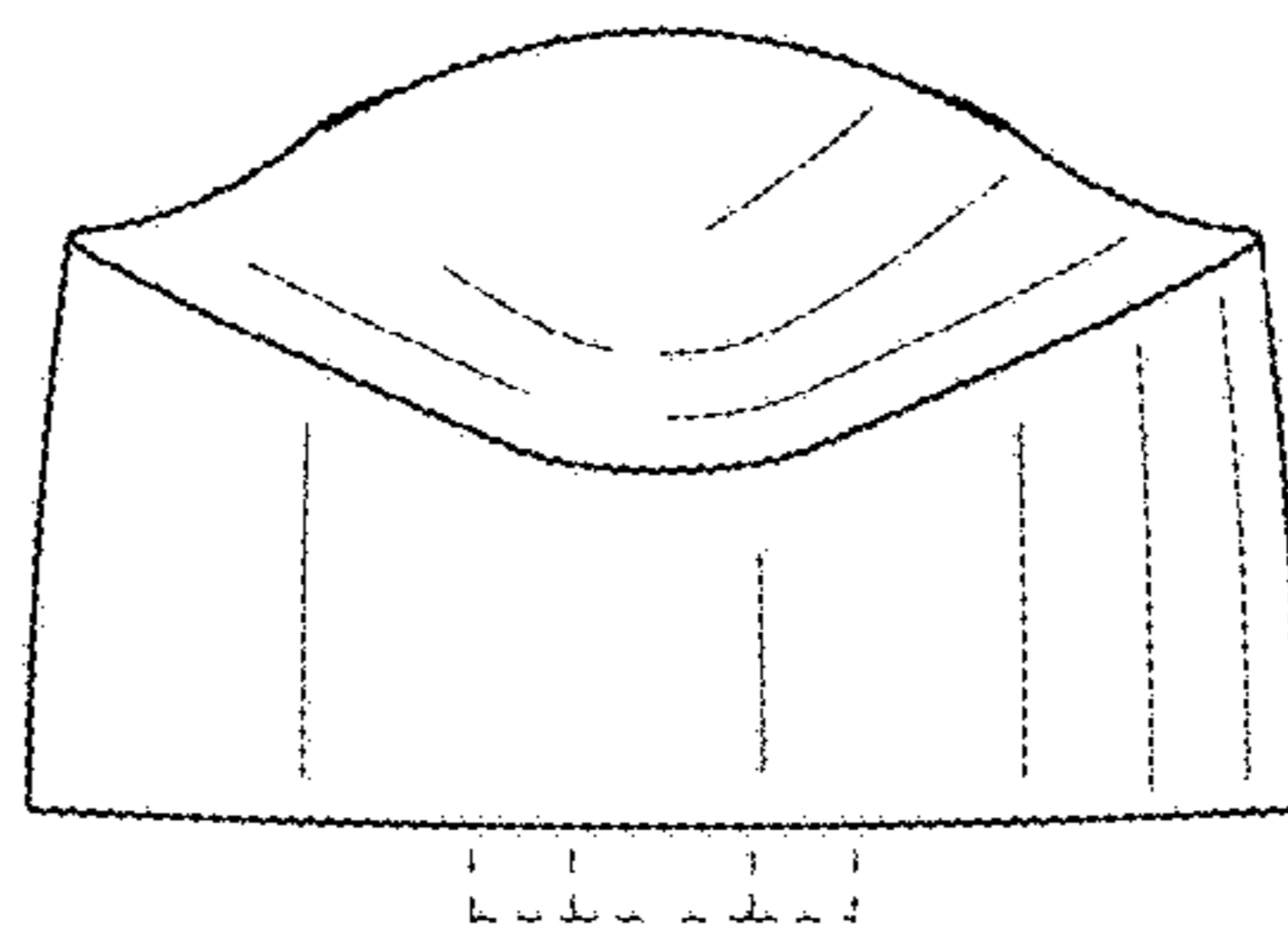


FIG. 8

