

US00D865046S

(12) **United States Design Patent**
Eberlen

(10) **Patent No.:** **US D865,046 S**
(45) **Date of Patent:** **** Oct. 29, 2019**

(54) **STRING ATTACHMENT FOR GUITAR**

(71) Applicant: **Richard Michael Eberlen**,
Waxahachie, TX (US)

(72) Inventor: **Richard Michael Eberlen**,
Waxahachie, TX (US)

(**) Term: **15 Years**

(21) Appl. No.: **29/651,391**

(22) Filed: **Jul. 11, 2018**

(51) **LOC (12) Cl.** **17-03**

(52) **U.S. Cl.**
USPC **D17/20**

(58) **Field of Classification Search**
USPC D17/14, 20, 21; D21/405
CPC G10D 1/00; G10D 1/08; G10D 1/085;
G10D 3/00; G10D 3/04; G10D 3/043;
G10D 3/12; G10D 3/143

See application file for complete search history.

(56) **References Cited**

U.S. PATENT DOCUMENTS

- 527,675 A * 10/1894 Enriquez G10D 1/00
84/173
- 1,611,563 A * 12/1926 Rothman G10D 1/00
84/267
- 1,841,397 A * 1/1932 Bergh G10D 1/00
84/275
- 3,072,007 A * 1/1963 Burke G10D 1/085
84/267
- 4,142,436 A * 3/1979 Chapman G10D 1/085
84/173
- D272,747 S * 2/1984 Nussbaum D14/172

- 4,632,002 A * 12/1986 Clevinger G10H 3/185
84/291
- D301,251 S * 5/1989 Nussbaum D17/14
- 5,654,514 A * 8/1997 Tracey G10D 1/085
84/267
- D385,901 S * 11/1997 Wong 84/291
- D552,160 S * 10/2007 Greenia D17/14
- D568,377 S * 5/2008 Kim D17/14
- D649,584 S * 11/2011 Kovaliv D17/20

FOREIGN PATENT DOCUMENTS

- DE 102004053105 A1 * 5/2006
- FR 2415853 A1 * 1/1978
- FR 2484116 A1 * 6/1980

* cited by examiner

Primary Examiner — R. Johnson

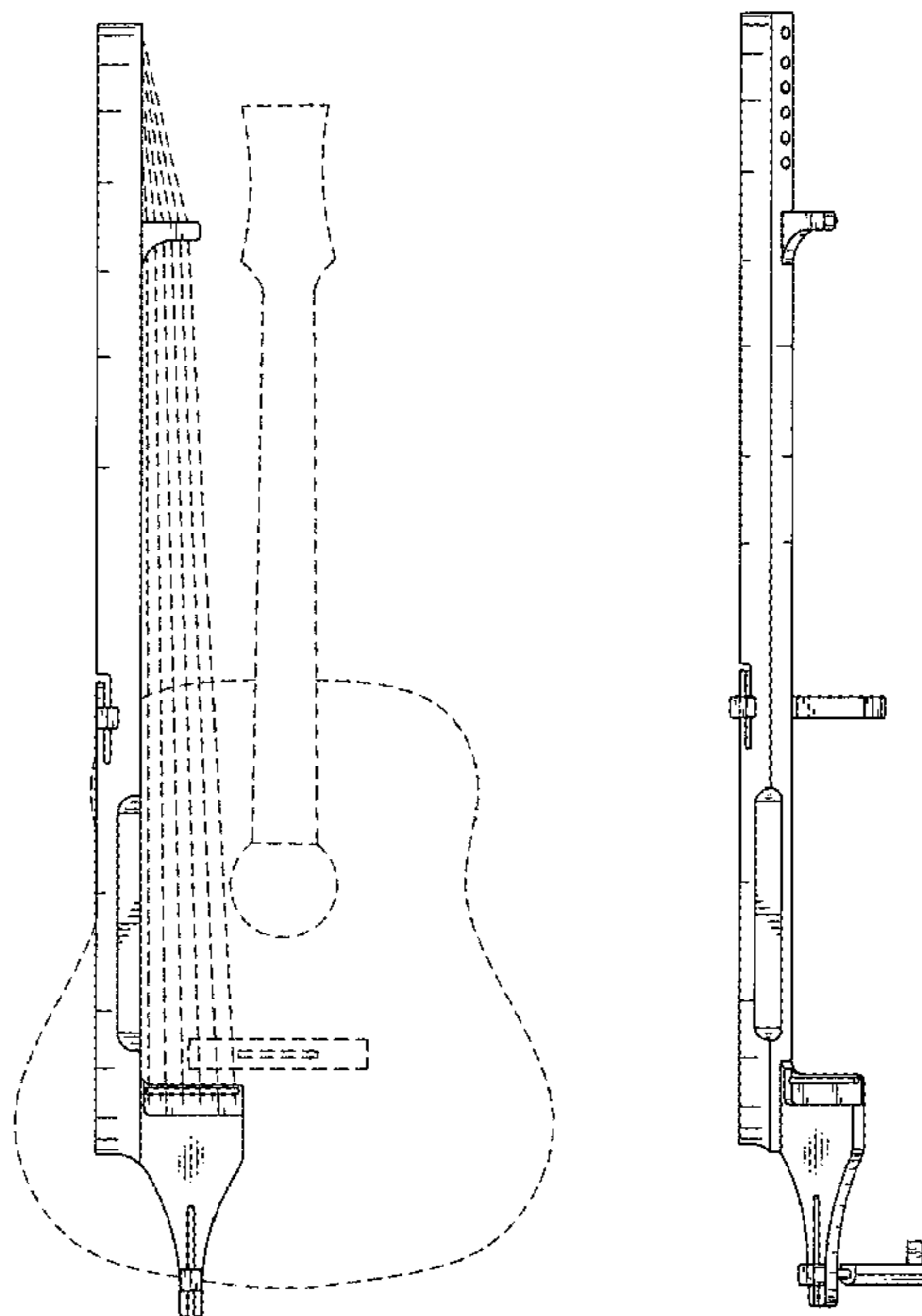
(57) **CLAIM**

The ornamental design for a string attachment for guitar, as shown.

DESCRIPTION

FIG. 1 is a front view of a string attachment for guitar showing my new design, mounted on a guitar which is shown in broken lines for illustrative purposes only and forming no part of the claimed design;
 FIG. 2 is a right perspective view thereof;
 FIG. 3 is a left perspective view thereof;
 FIG. 4 is a front view thereof;
 FIG. 5 is a back view thereof;
 FIG. 6 is a left side view thereof;
 FIG. 7 is a right side view thereof;
 FIG. 8 is an enlarged top view thereof; and,
 FIG. 9 is an enlarged bottom view thereof.

1 Claim, 5 Drawing Sheets



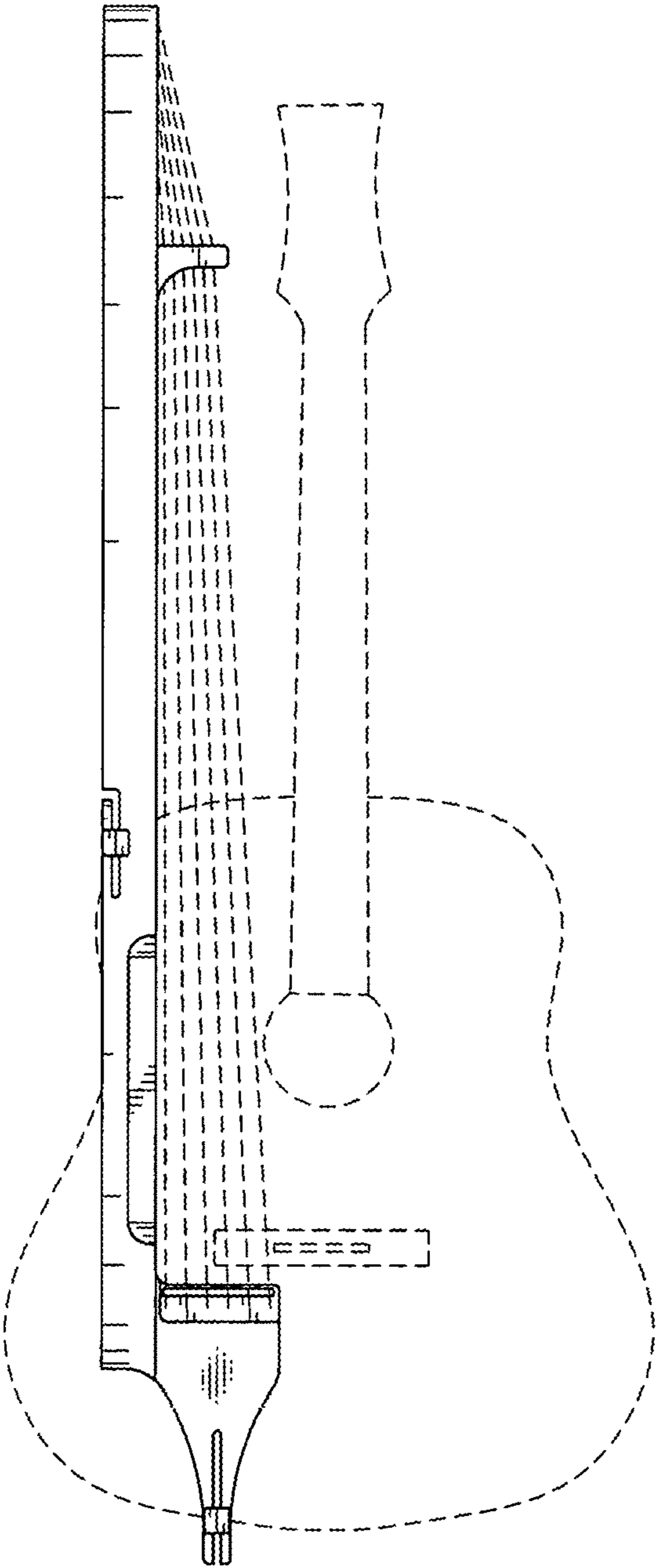


FIG. 1

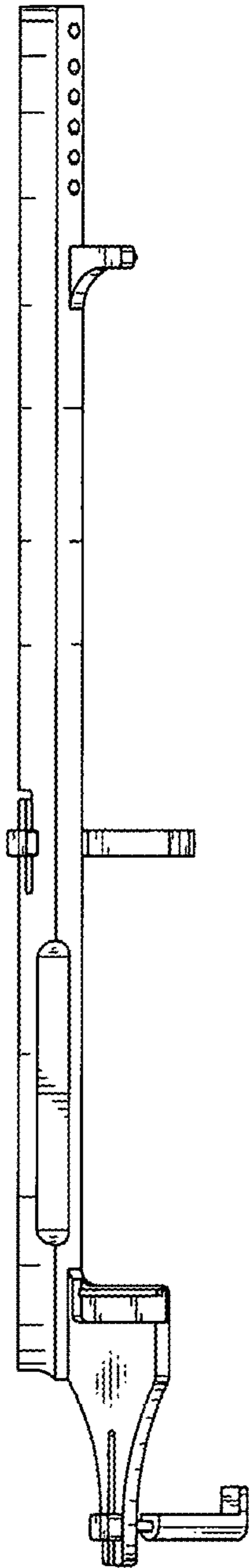


FIG. 2

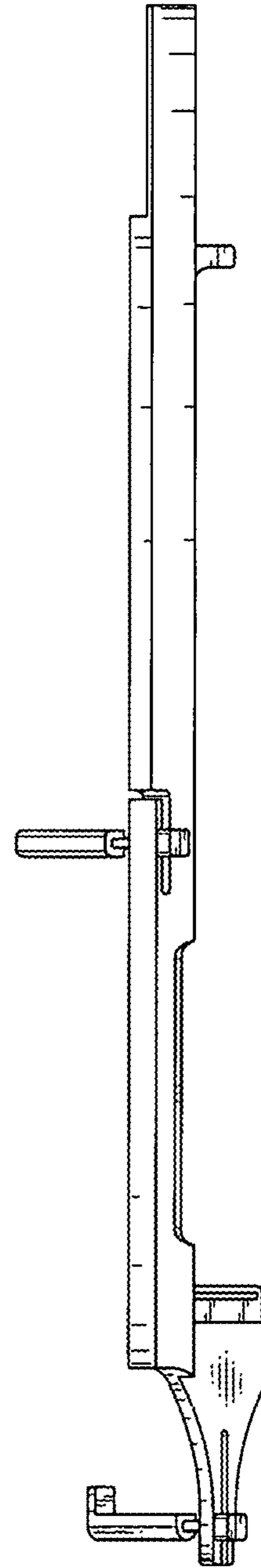


FIG. 3

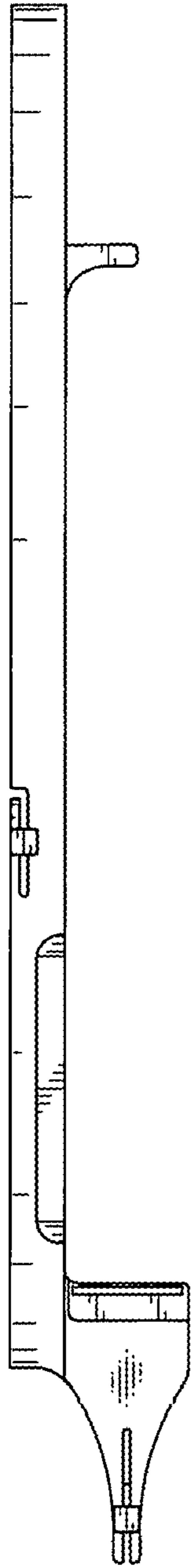


FIG. 4

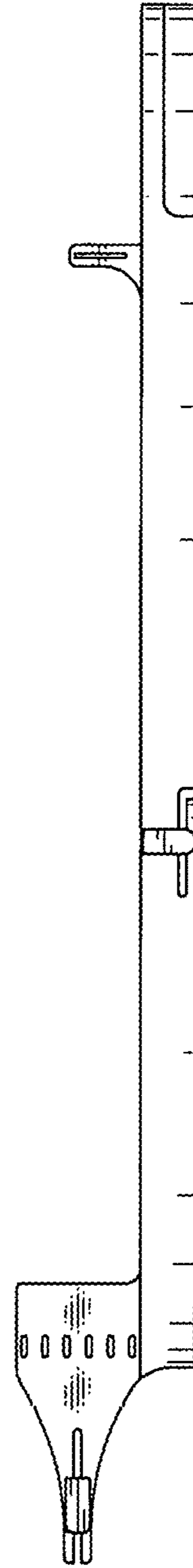


FIG. 5

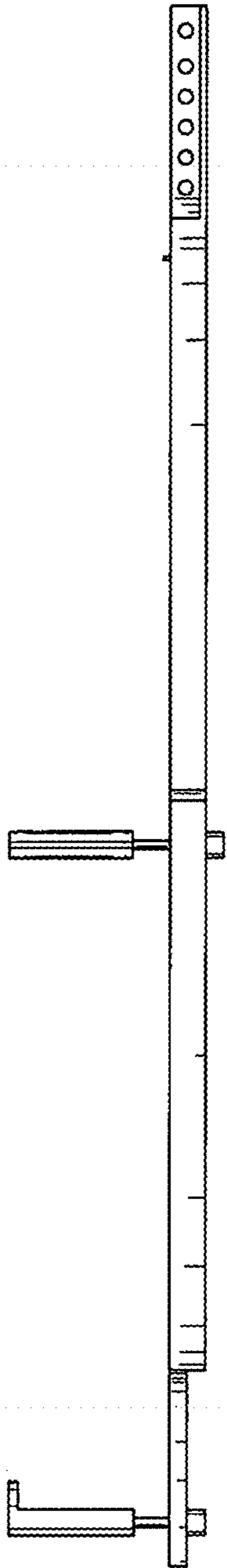


FIG. 6

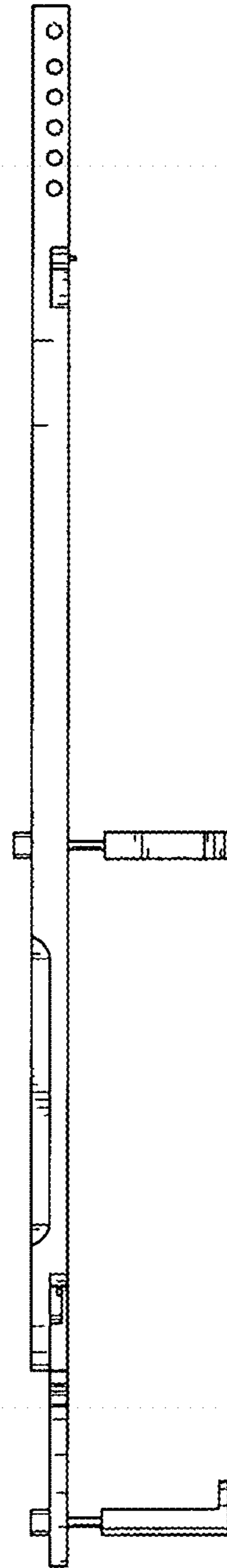


FIG. 7

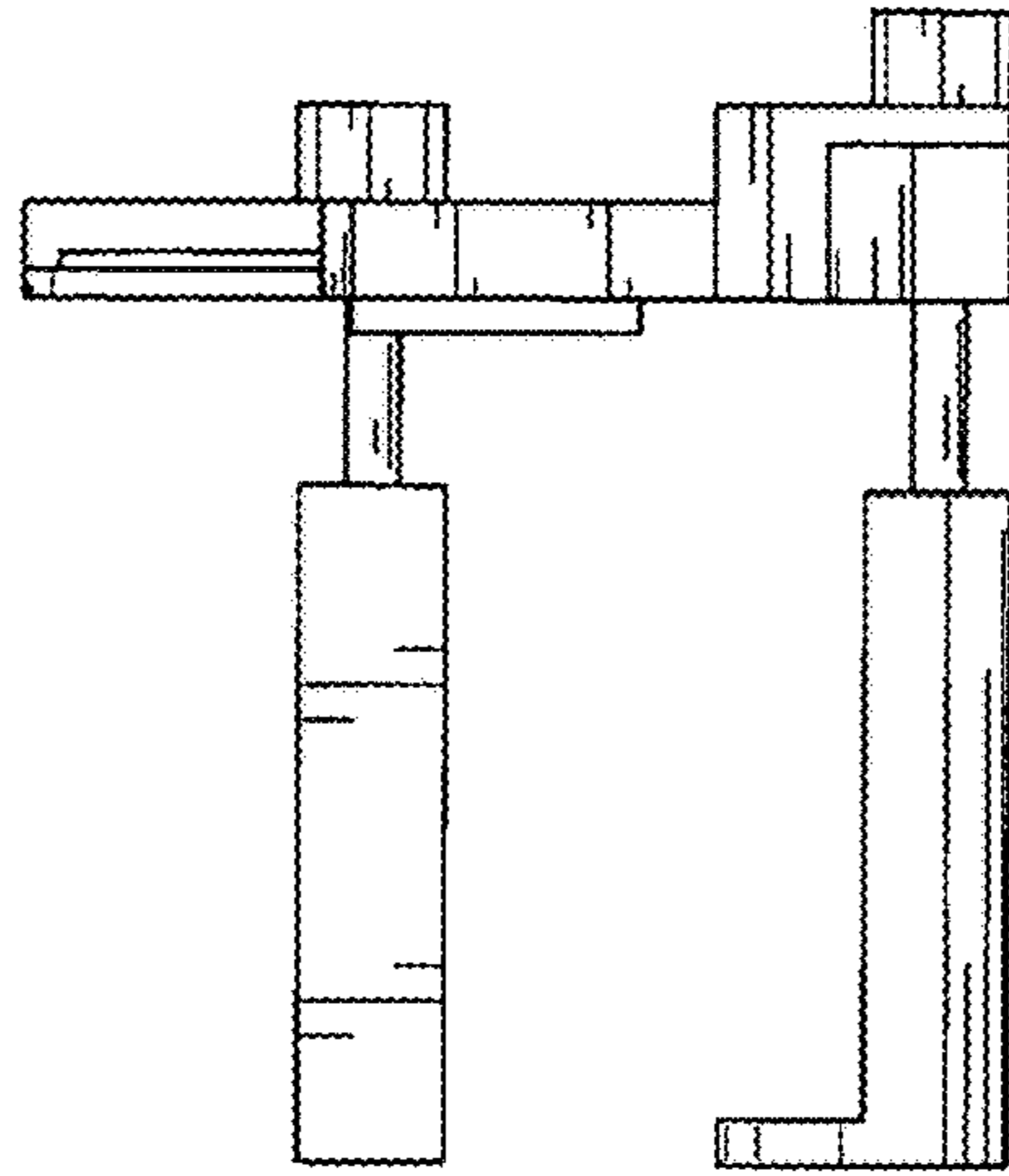


FIG. 8

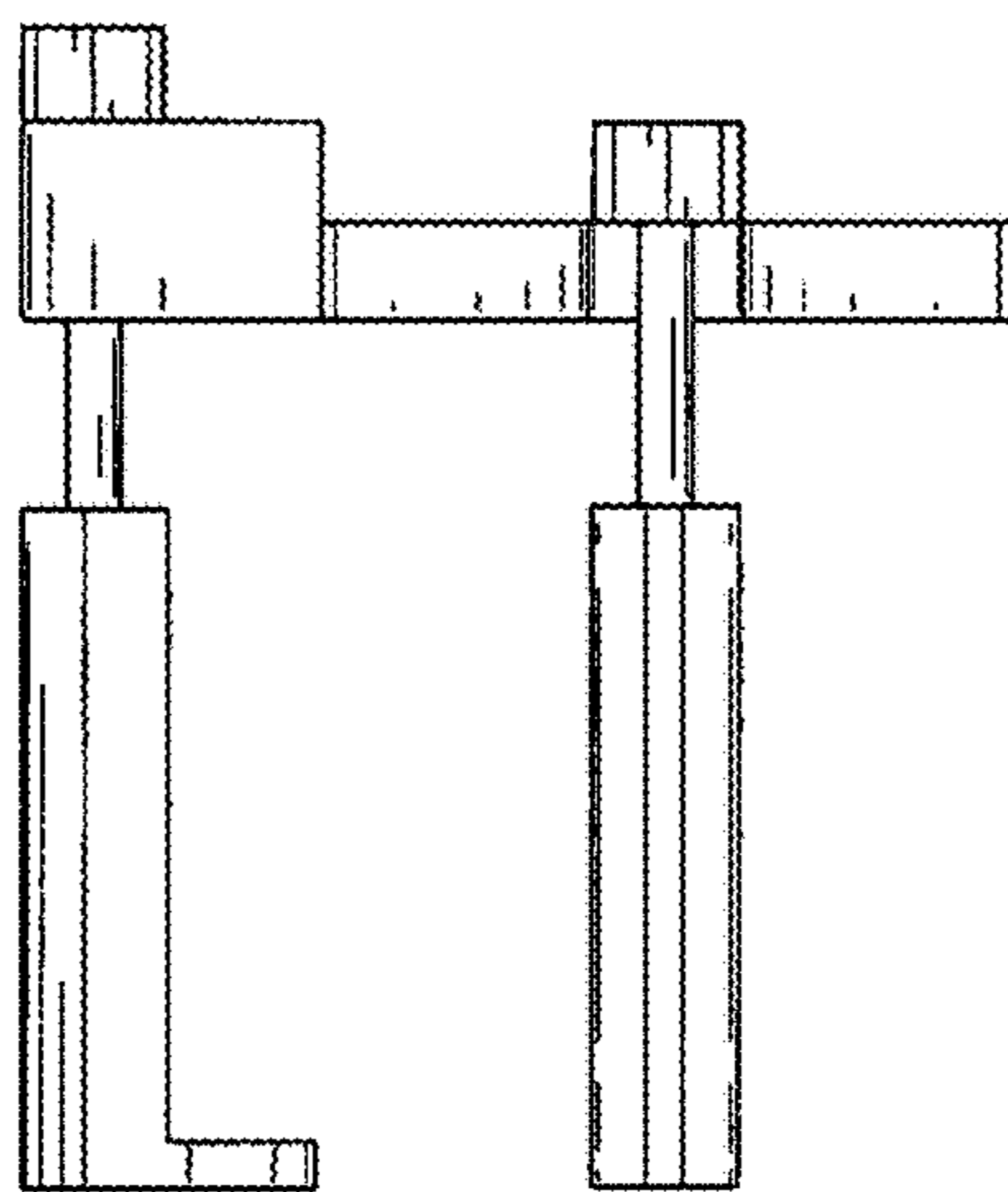


FIG. 9