



US00D865042S

(12) **United States Design Patent**
Wilkins

(10) **Patent No.:** **US D865,042 S**
(45) **Date of Patent:** **** Oct. 29, 2019**

(54) **OPTICAL HEADWEAR FOR AUGMENTED REALITY**

(71) Applicant: **BAE SYSTEMS plc**, London (GB)

(72) Inventor: **Mark Wilkins**, Rochester (GB)

(73) Assignee: **BAE SYSTEMS plc**, London (GB)

(**) Term: **15 Years**

(21) Appl. No.: **29/639,730**

(22) Filed: **Mar. 8, 2018**

(30) **Foreign Application Priority Data**

Sep. 8, 2017 (EP) 004248110-0001

(51) **LOC (12) Cl.** **16-06**

(52) **U.S. Cl.**
USPC **D16/314**

(58) **Field of Classification Search**
USPC D16/309, 311, 314, 300, 313, 321
CPC A61F 9/02; G02C 7/02
See application file for complete search history.

(56) **References Cited**

U.S. PATENT DOCUMENTS

D439,598 S *	3/2001	Wolfe	D16/314
D544,018 S *	6/2007	Huang	D16/315
D605,686 S *	12/2009	Yasuhara	D16/314
D611,521 S *	3/2010	Lampru	D16/314
D614,359 S *	4/2010	Gleason	D16/314
D629,036 S *	12/2010	Yee	D16/314
D703,729 S *	4/2014	Markovitz	D16/314
D703,730 S *	4/2014	Markovitz	D16/314
D783,702 S *	4/2017	Fenty	D16/313
D794,022 S *	8/2017	Limaye	D14/372
D835,179 S *	12/2018	Li	D16/314

OTHER PUBLICATIONS

Apple AR Glasses, posted at medium.com, posting date Apr. 19, 2018, [online], [site visited Mar. 6, 2019]. Available from Internet,

URL: <https://medium.com/augment-the-world/apples-ar-glasses-will-replace-your-tv-f1c055abf10f> (Year: 2018).*

BAE Systems Augmented Reality Glasses, posted at eeneautomotive.com, posting date Sep. 14, 2017, [online], [site visited Mar. 6, 2019]. Available from Internet, URL: <https://eeneautomotive.com/news/bae-systems-designs-lightweight-rugged-ar-glasses/page/0/1> (Year: 2017).*

EverySight Raptor Augmented Reality Cycling Glasses, posted at cxmagazine.com, posting date Aug. 1, 2018, [online], [site visited Mar. 6, 2019]. Available from Internet, URL: <https://www.cxmagazine.com/review-every-sight-raptor-augmented-reality-glasses-gravel-cyclocross> (Year: 2018).*

ODG Augmented Reality Glasses, posted at wired.com, posting date Mar. 14, 2018, [online], [site visited Mar. 6, 2019]. Available from Internet, URL: <https://www.wired.com/story/why-augmented-reality-glasses-look-so-bad/> (Year: 2018).*

* cited by examiner

Primary Examiner — George D. Kirschbaum
Assistant Examiner — Maria J Edwards
(74) *Attorney, Agent, or Firm* — Finch & Maloney PLLC

(57) **CLAIM**

The ornamental design for optical headwear for augmented reality, as shown and described.

DESCRIPTION

FIG. 1 is a front view of optical headwear for augmented reality according to the present design;

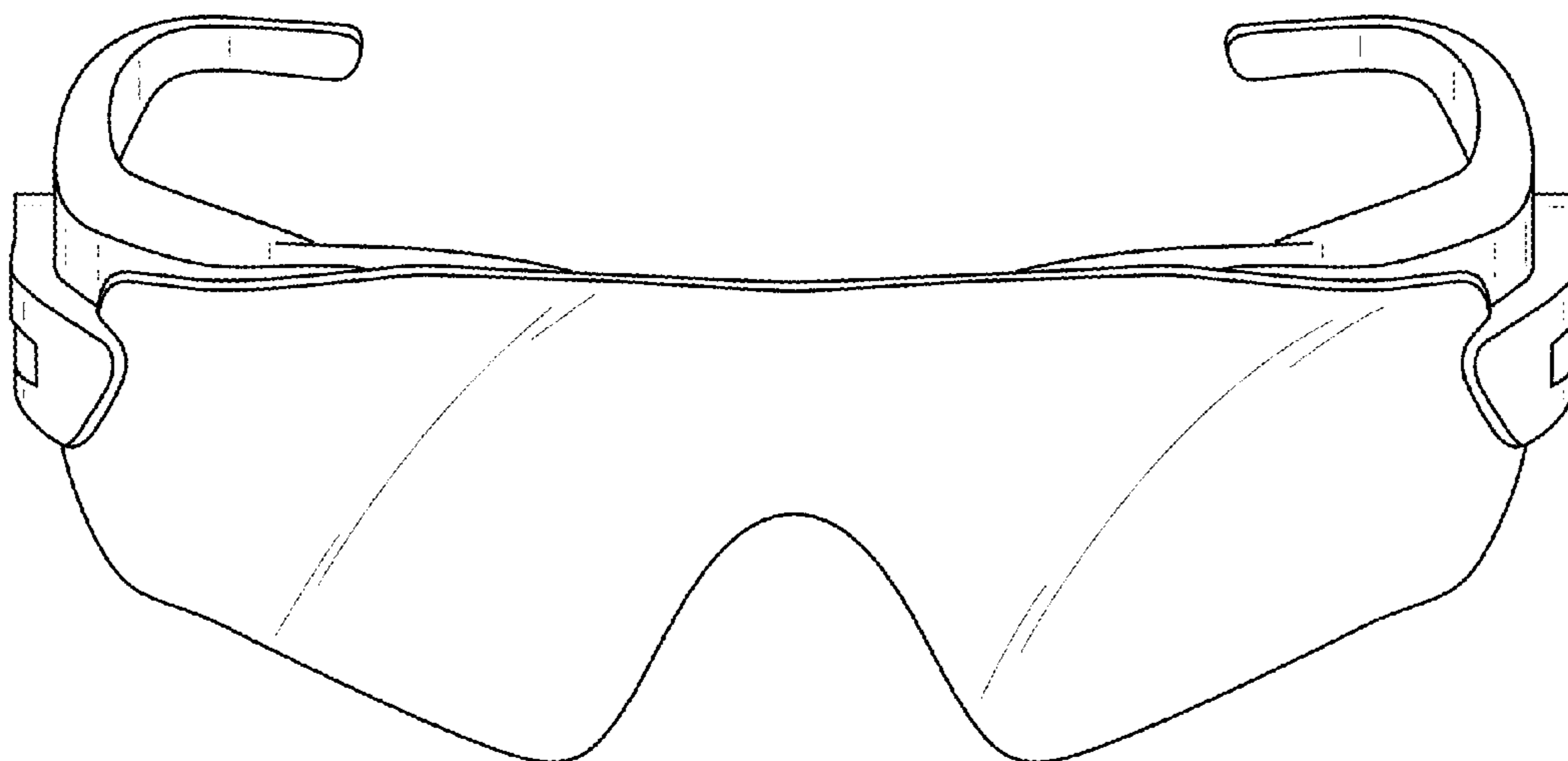
FIG. 2 is a front perspective view thereof;

FIG. 3 is a top plan view thereof; and,

FIG. 4 is a left side view thereof.

Broken lines in the drawings are for the purpose of illustrating environmental structure and form no part of the claimed design.

1 Claim, 4 Drawing Sheets



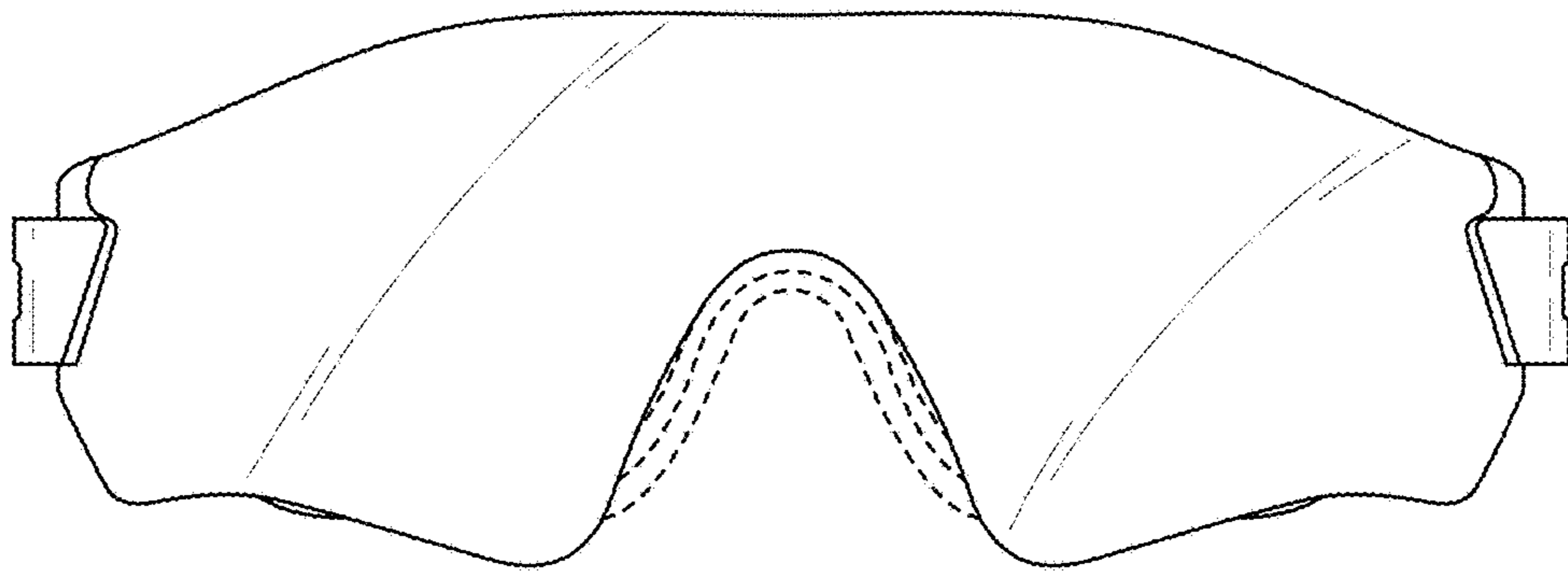


FIG. 1

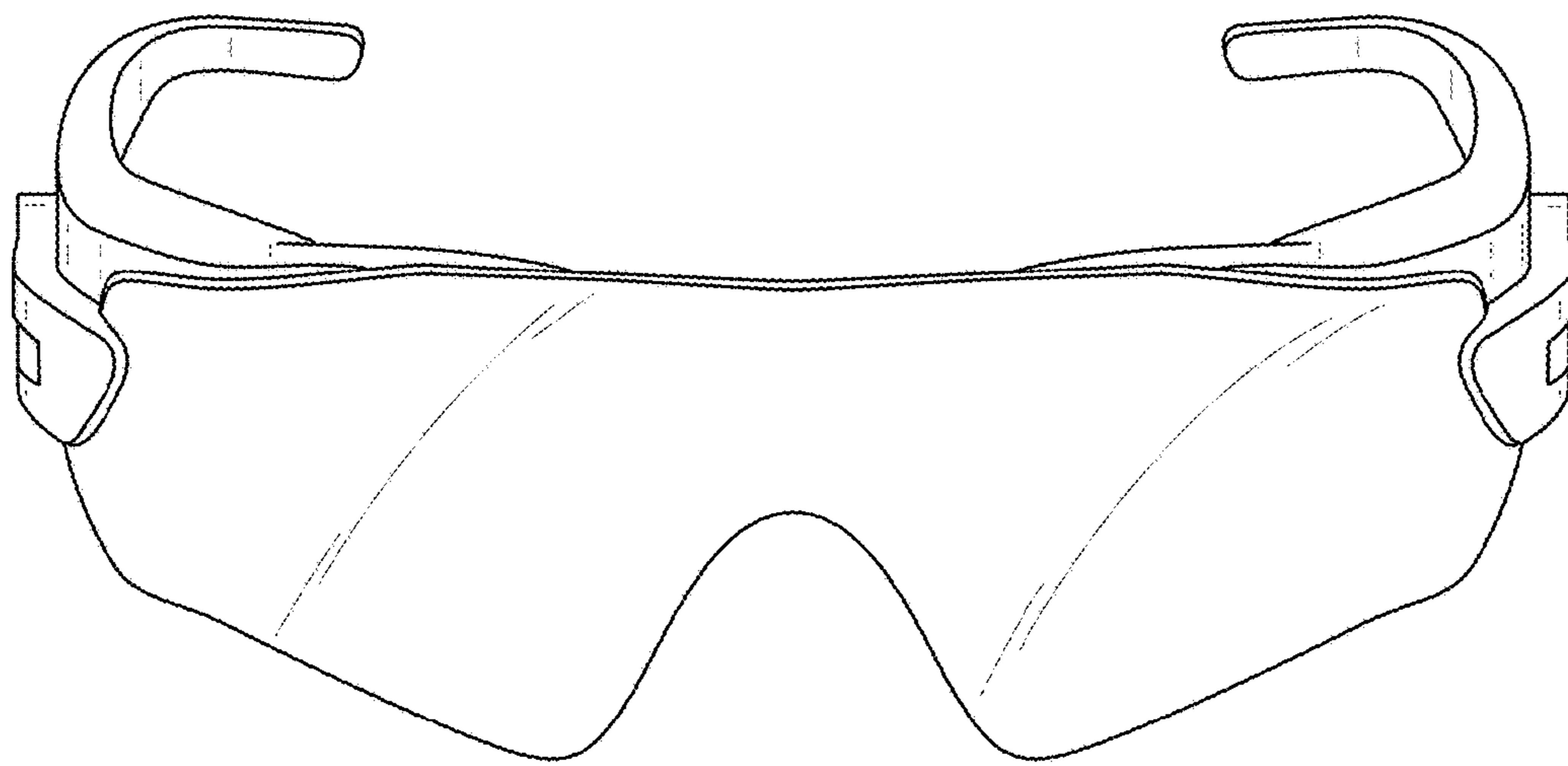


FIG. 2

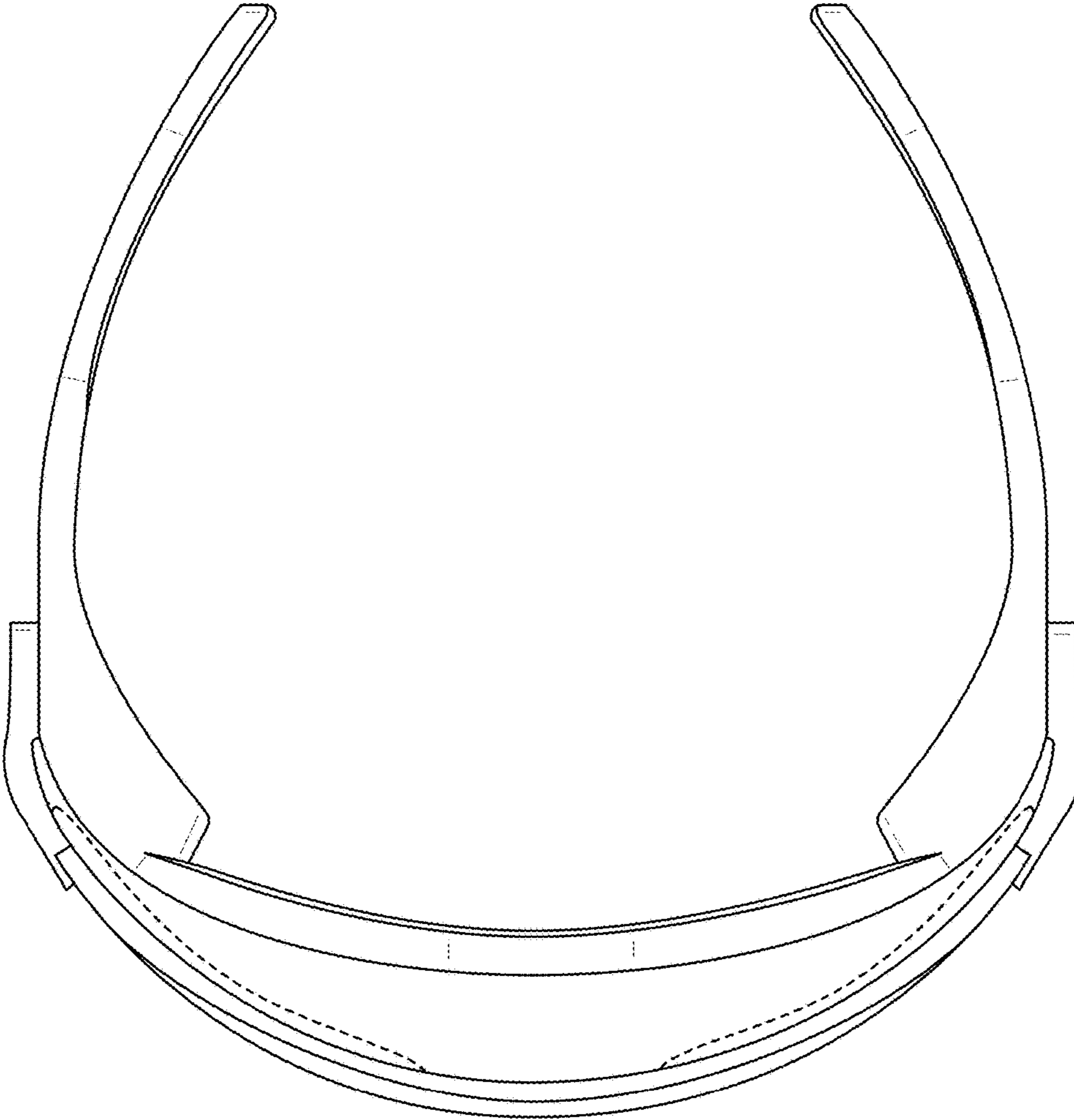


FIG. 3

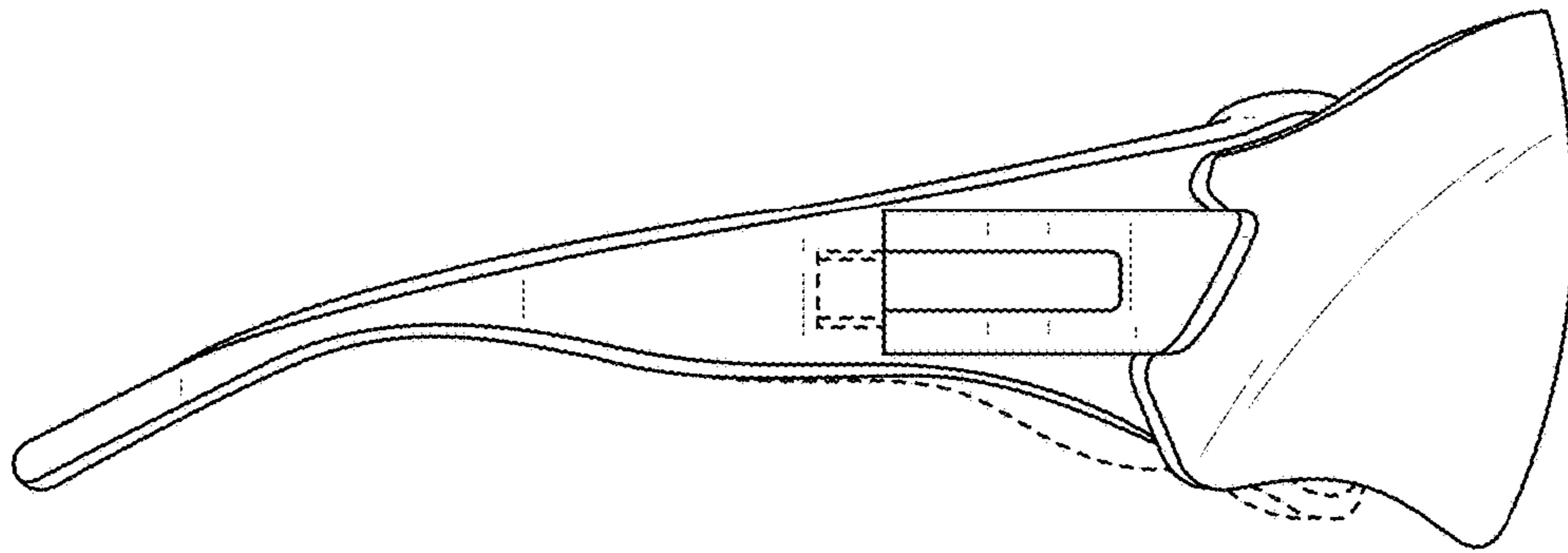


FIG. 4