



US00D865039S

(12) **United States Design Patent** (10) **Patent No.:** **US D865,039 S**
Chen (45) **Date of Patent:** **** Oct. 29, 2019**

(54) **SELFIE STICK BASE**

OTHER PUBLICATIONS

(71) Applicant: **Chin-Yuan Chen**, Changhua (TW)

Feiyu Tabletop Tripod FY A026 B&H Photo Video. [online] Published Oct. 3, 2018. Retrieved Mar. 21, 2019 from URL: https://www.bhphotovideo.com/c/product/1337156-REG/feiyu_fyttt_tabletop_tripod.html/?ap=y&gclid=CjwKCAjw7MzkbRAGEiwAkOXexC8LDP4F-KPDJqBHj_QOolGc4LTIQJVP0hwgDZBMOOqglWGETHlioBoCWMcQAvD_BwE&lsft=BI%3A514&smp=Y.*

(72) Inventor: **Chin-Yuan Chen**, Changhua (TW)

Manfrotto PIXI Mini Table Top Tripod (Black) MTPIXI-B B&H Photo. [online] Published Jul. 13, 2013. Retrieved Mar. 21, 2019 from URL: https://www.bhphotovideo.com/c/product/983551-REG/manfrotto_mtpixi_b_pixi_mini_table_top.html.*

(73) Assignee: **Shin Tai Spurt Water of the Garden Tools Co. Ltd.**, Changhua (TW)

Pakpod Adventure Tripod. [online] Retrieved Mar. 29, 2019 from URL: <https://shop.pakpod.com/product/pakpod/>.*

(**) Term: **15 Years**

(21) Appl. No.: **29/648,271**

(22) Filed: **May 18, 2018**

(51) **LOC (12) Cl.** **16-05**

(52) **U.S. Cl.**

USPC **D16/242**

(58) **Field of Classification Search**

USPC D16/219, 237-250; D14/224, 229, 238, D14/251, 253; D8/354, 355, 363, 373, D8/382-383, 394-396

CPC F16M 11/06-10; F16M 11/14; G02B 7/00-002; G03B 17/56; G03B 17/561-568; H04N 5/2253-2254; A45F 2200/0508-0533; A45F 5/00; A45F 5/10

See application file for complete search history.

* cited by examiner

Primary Examiner — Vy N Koenig

(74) *Attorney, Agent, or Firm* — Che-Yang Chen; Law Offices of Scott Warmuth

(57) **CLAIM**

The ornamental design for a selfie stick base, as shown and described.

DESCRIPTION

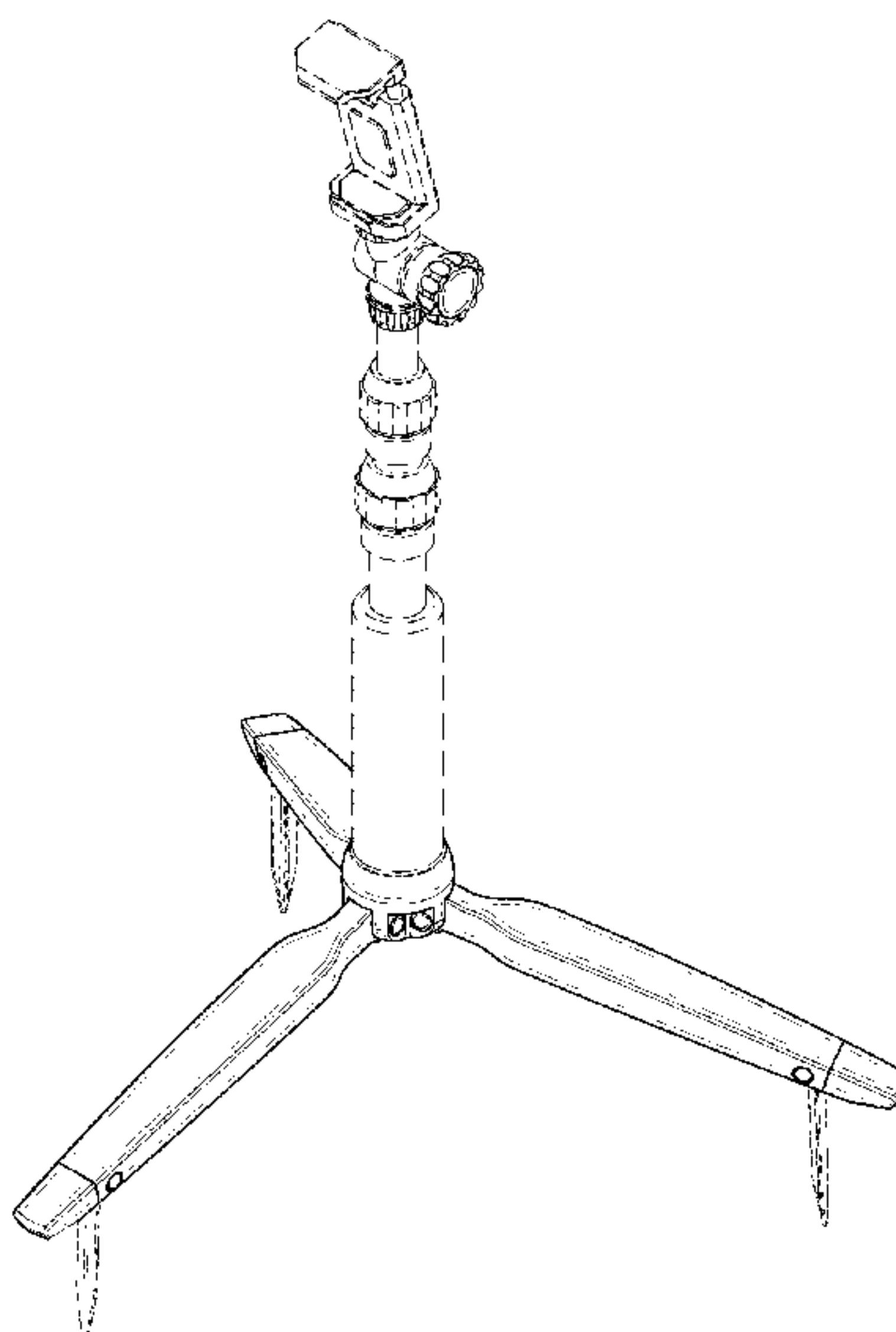
FIG. 1 is a perspective view of a selfie stick base showing my new design;
FIG. 2 is a front elevational view thereof;
FIG. 3 is a rear elevational view thereof;
FIG. 4 is a left side elevational view thereof;
FIG. 5 is a right side elevational view thereof;
FIG. 6 is a top plan view thereof;
FIG. 7 is a bottom plan view thereof; and,
FIG. 8 is a perspective view thereof shown with an unclaimed selfie stick in an example condition of use. The broken lines in FIG. 8 depict environmental subject matter only and form no part of the claimed design.

(56) **References Cited**

U.S. PATENT DOCUMENTS

4,214,724	A *	7/1980	Geiger	F16M 11/14 248/167
D286,288	S *	10/1986	Skinner	D14/238
D445,123	S *	7/2001	Shen	D16/244
D532,436	S *	11/2006	Kruse	D16/244
D706,333	S *	6/2014	Chun	D16/244
D718,365	S *	11/2014	Kim	D16/244
D721,713	S *	1/2015	Ko	D14/451
D739,456	S *	9/2015	Poli	D16/244
D778,975	S *	2/2017	Minn	D16/242
D840,465	S *	2/2019	Chun	D16/244

1 Claim, 6 Drawing Sheets



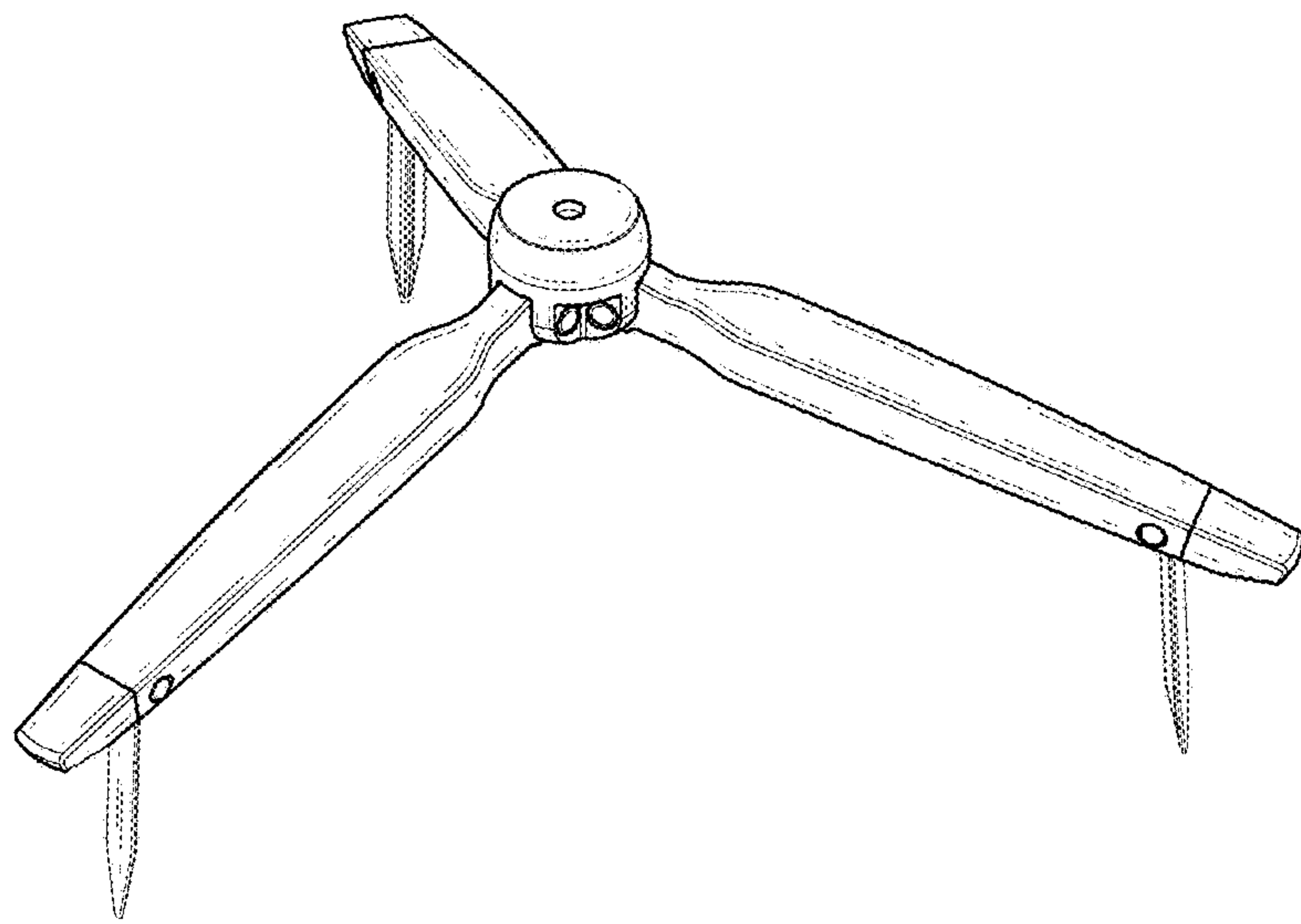


FIG. 1

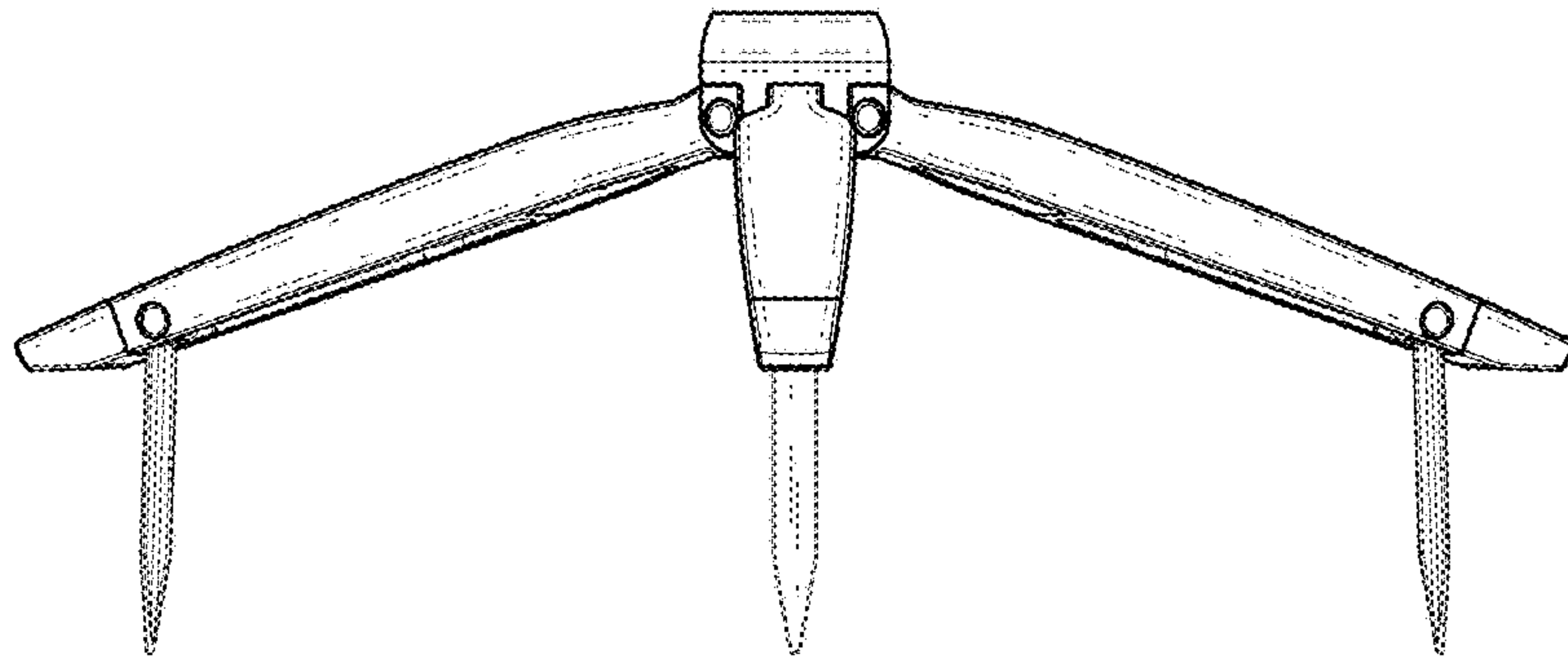


FIG. 2

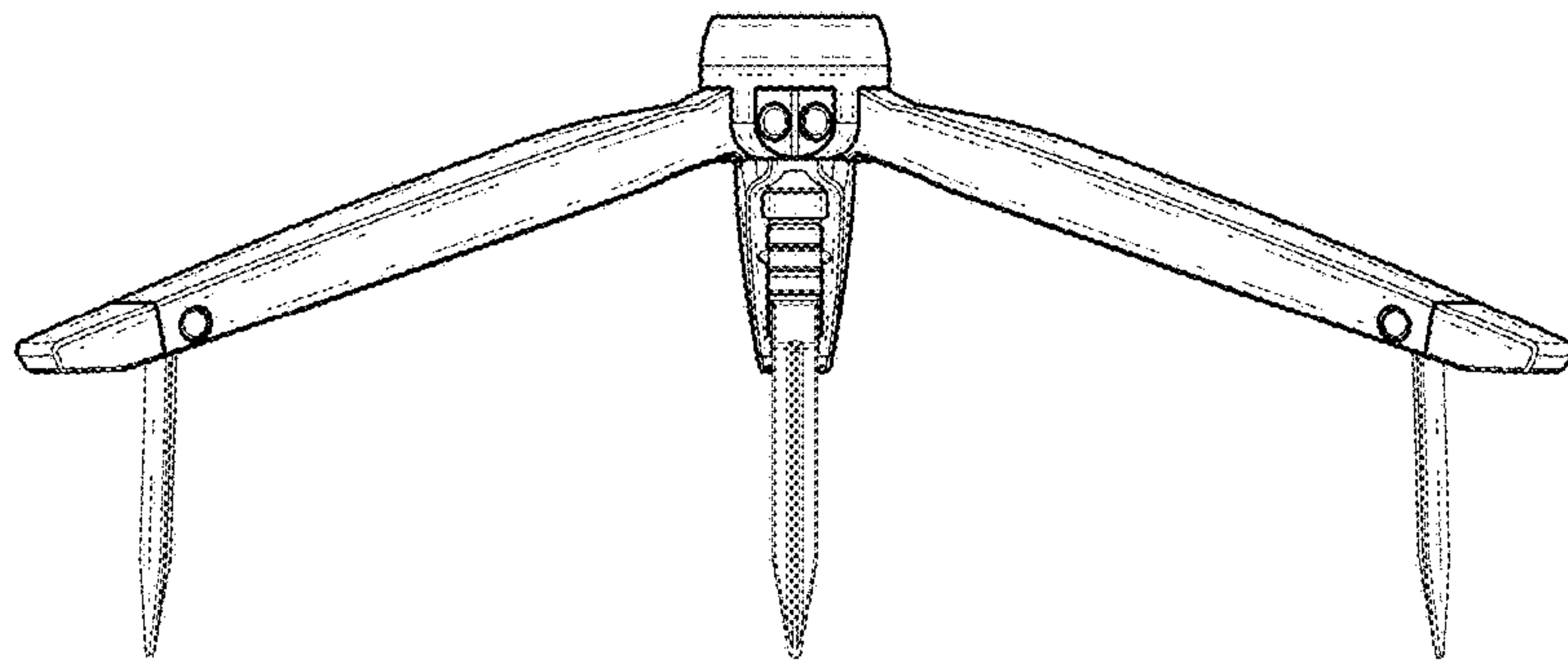


FIG. 3

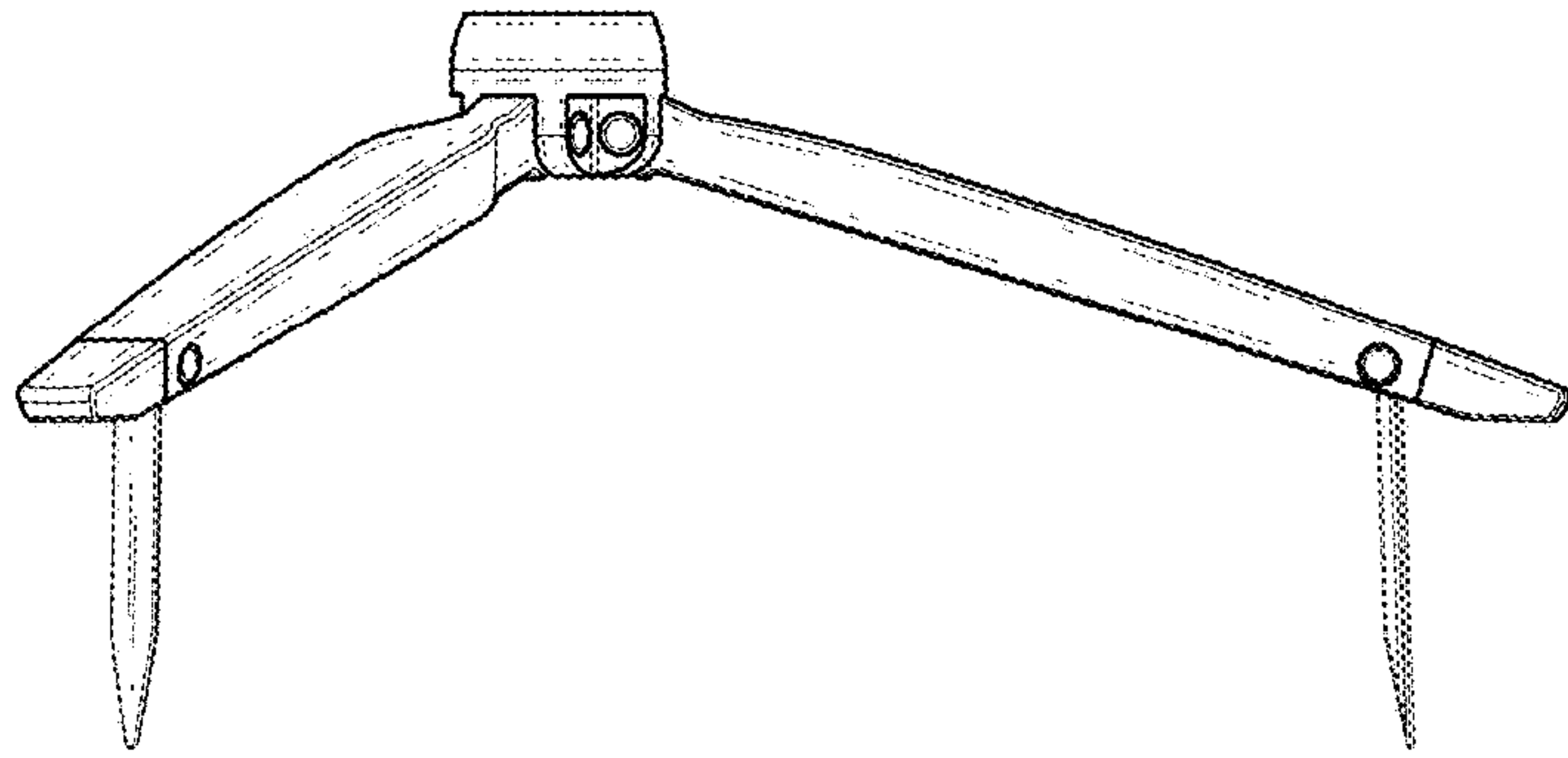


FIG. 4

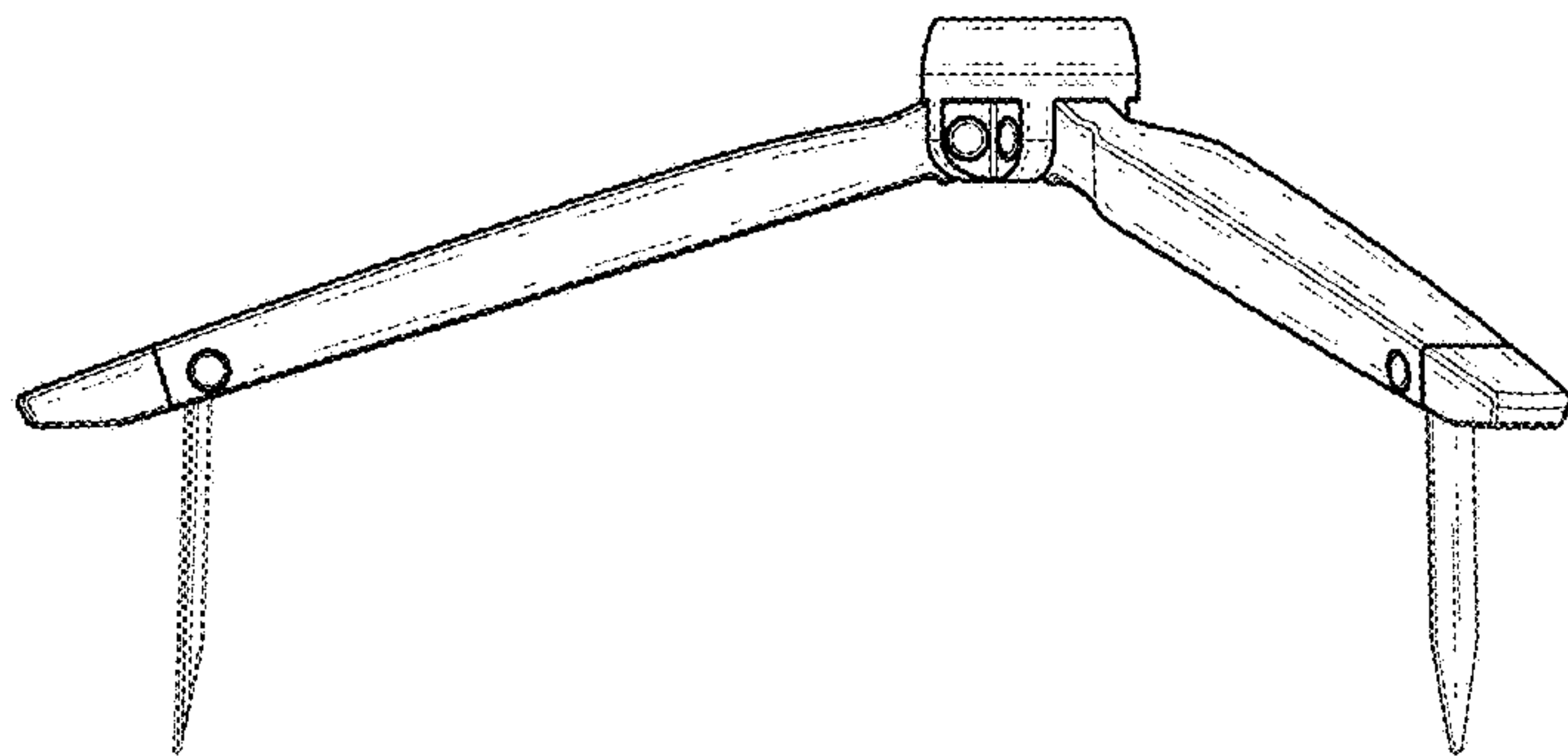


FIG. 5

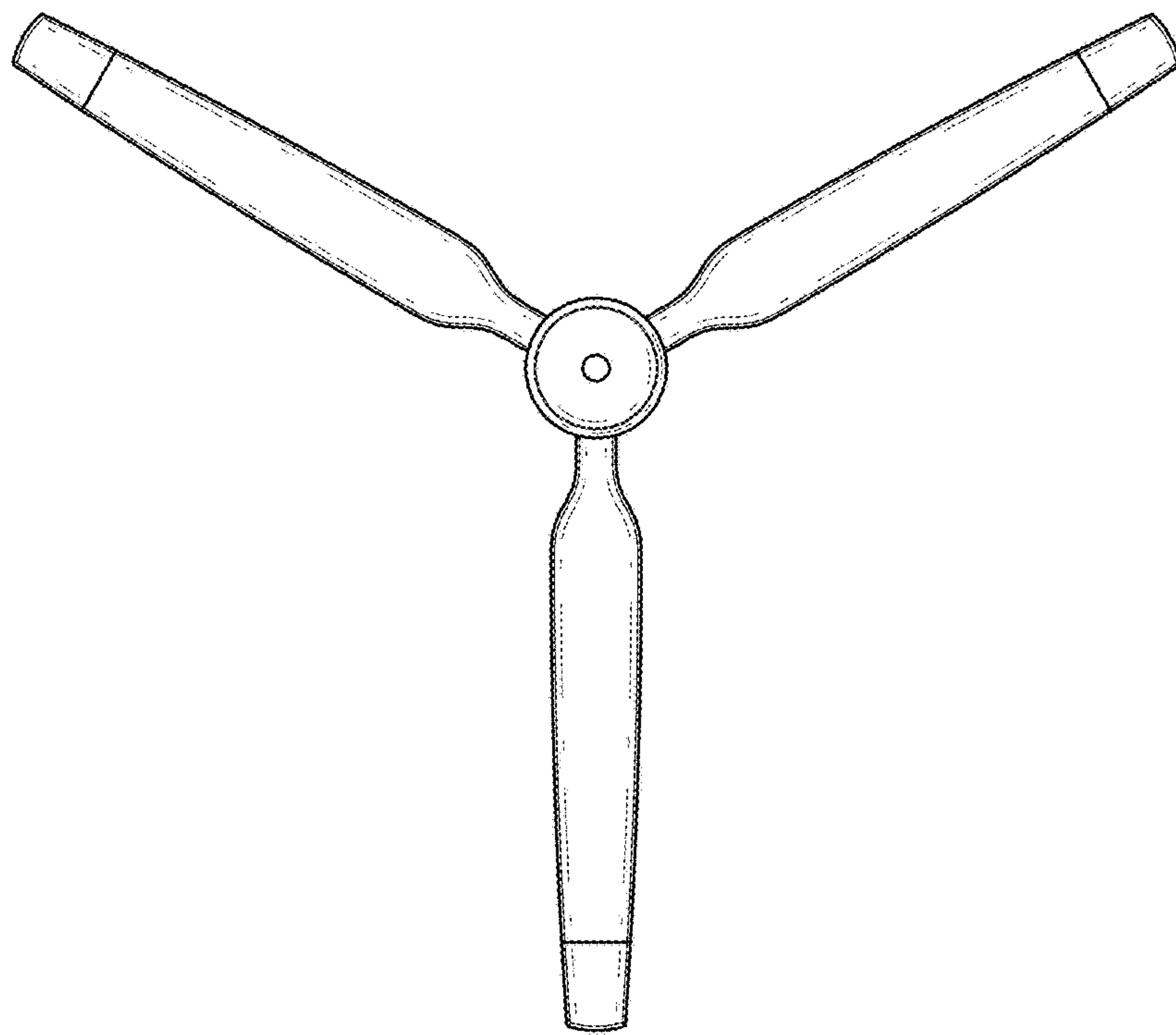


FIG. 6

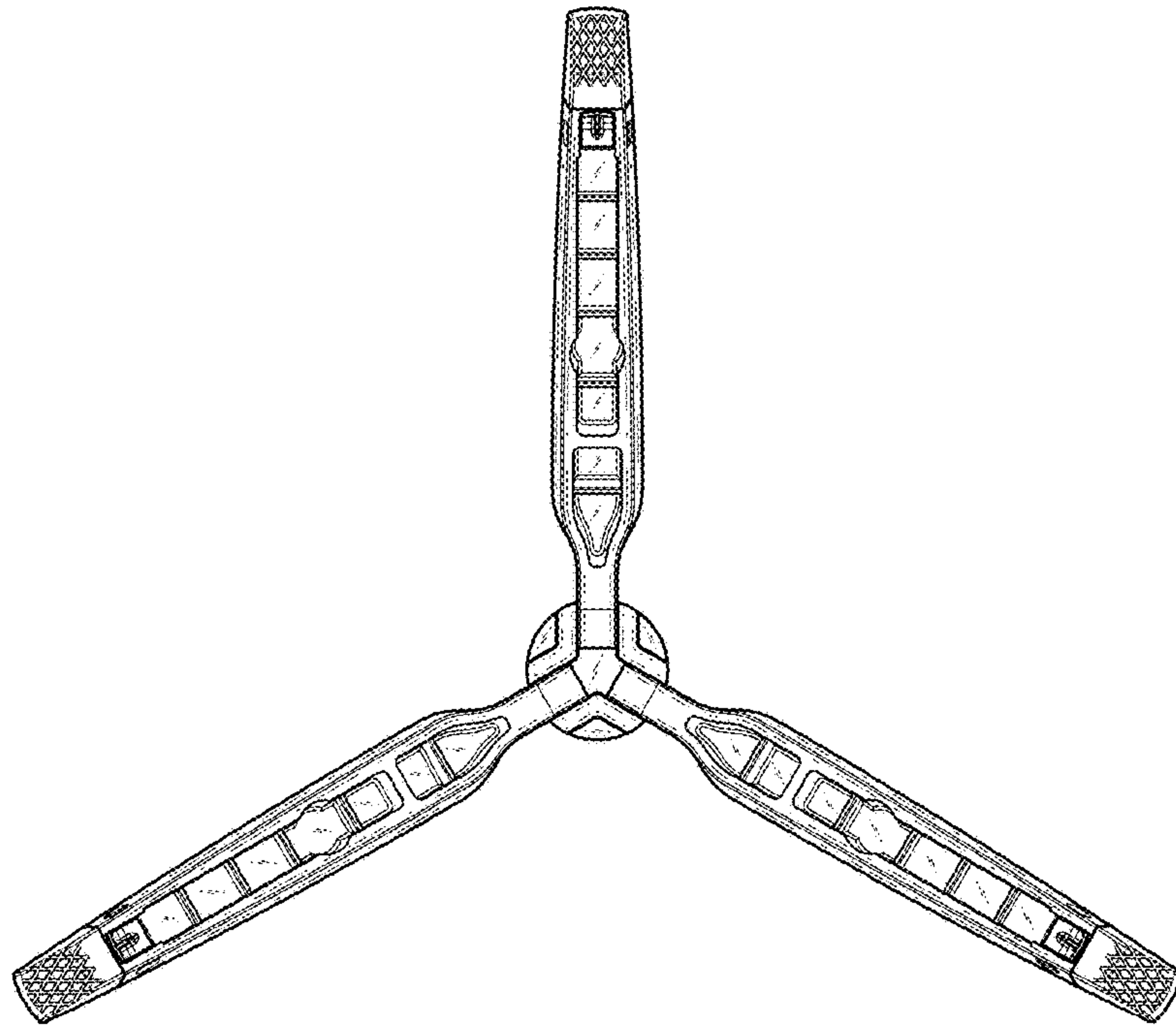


FIG. 7

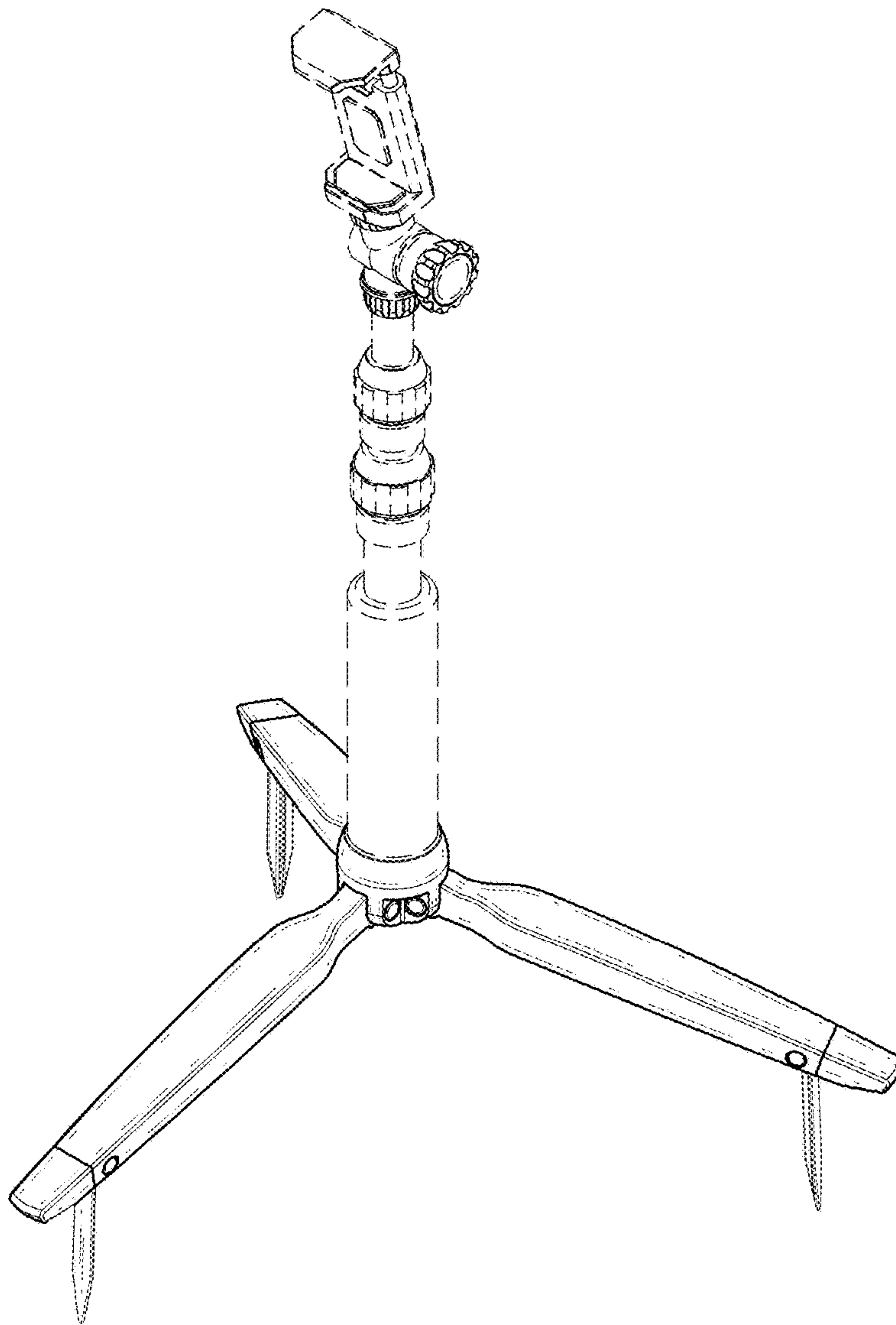


FIG. 8