



US00D865037S

(12) **United States Design Patent**
Chu et al.

(10) **Patent No.:** **US D865,037 S**

(45) **Date of Patent:** **** Oct. 29, 2019**

(54) **PROJECTOR**

(71) Applicant: **ViewSonic International Corporation,**
New Taipei (TW)

(72) Inventors: **James Chu,** New Taipei (TW);
Jia-Shin Tsai, New Taipei (TW);
Kun-Tsang Yang, New Taipei (TW);
Cheng-Mao Chen, New Taipei (TW)

(73) Assignee: **ViewSonic International Corporation,**
New Taipei (TW)

(**) Term: **15 Years**

(21) Appl. No.: **29/632,919**

(22) Filed: **Jan. 10, 2018**

(30) **Foreign Application Priority Data**

Oct. 31, 2017 (TW) 106306360

(51) **LOC (12) Cl.** **16-02**

(52) **U.S. Cl.**
USPC **D16/235**

(58) **Field of Classification Search**
USPC D16/235, 237, 242, 245, 221, 225,
D16/229-231, 234, 203, 208;
D6/512-513, 519, 553, 567; D8/349,
D8/354, 373, 380; D12/223, 400;
D14/447, 451, 238; D24/128; 248/200,
248/201, 205.1; D21/514; 353/119, 122
CPC G03B 21/145; G03B 21/142; G03B 21/14;
G03B 21/16; G03B 21/00; G03B 21/001;
G03B 21/003; G03B 21/54; G03B 21/58
See application file for complete search history.

(56) **References Cited**

U.S. PATENT DOCUMENTS

D299,809 S * 2/1989 Hagedorn D8/373
D503,231 S * 3/2005 Daugherty D24/128
D543,834 S * 6/2007 Worthy D8/354

D584,597 S * 1/2009 Menard D8/354
D616,911 S * 6/2010 Tompkin D16/235
D635,175 S * 3/2011 Tompkin D16/230
8,714,756 B2 * 5/2014 Yang G03B 21/145
248/309.4
D729,043 S * 5/2015 Poppell D8/354

(Continued)

OTHER PUBLICATIONS

ViewSonic M1 WVGA Ultra-Portable Projector with Dual Harman Kardon Speakers. Retrieved on Mar. 19, 2019. Retrieved from the Internet: <https://www.amazon.co.uk/ViewSonic-M1-Ultra-Portable-Projector-Speakers/dp/B078WG5P4W?tag=experevi-21&ascsubtag=1408555>.*

Primary Examiner — Wan Laymon

(74) *Attorney, Agent, or Firm* — JCIPRNET

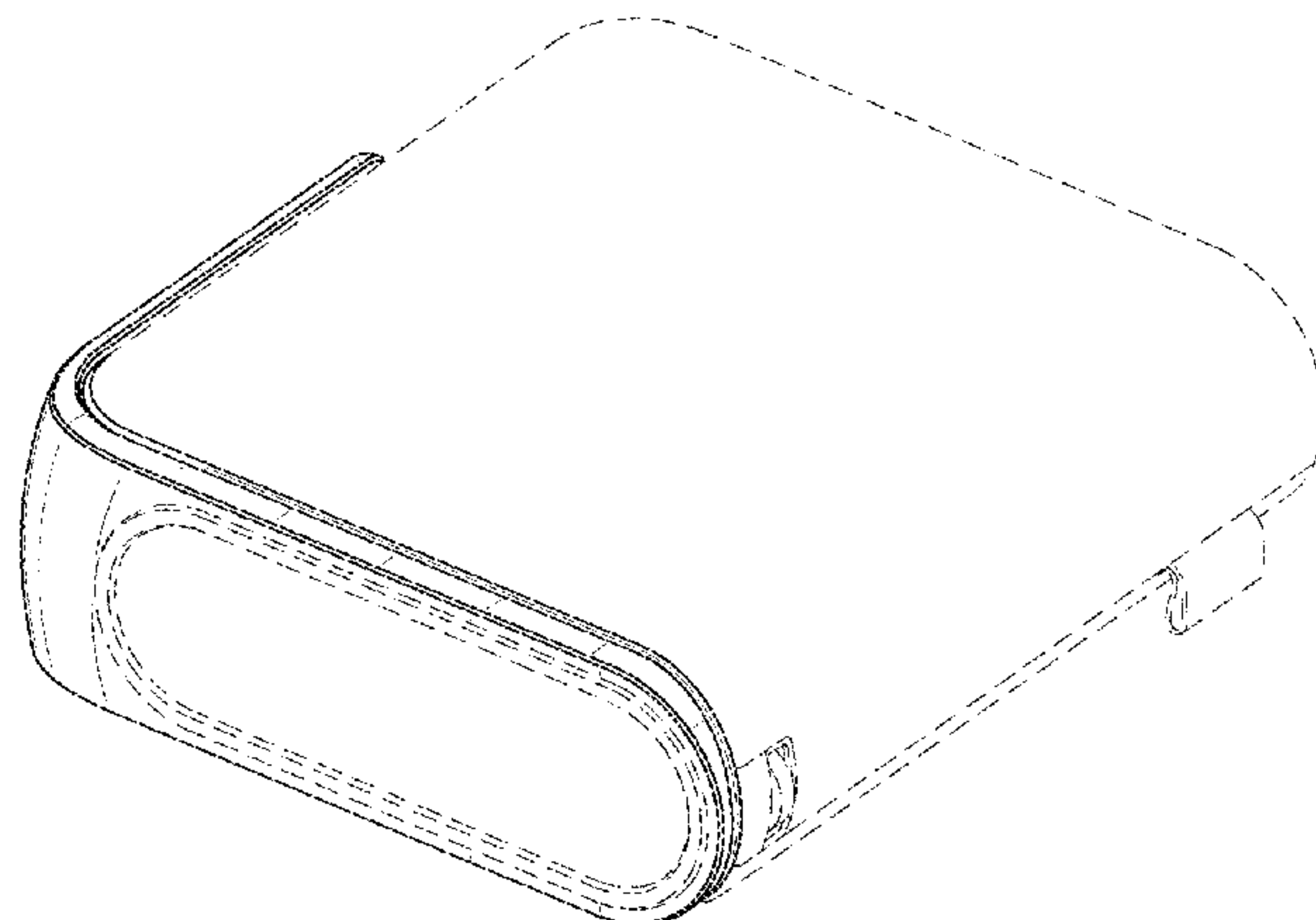
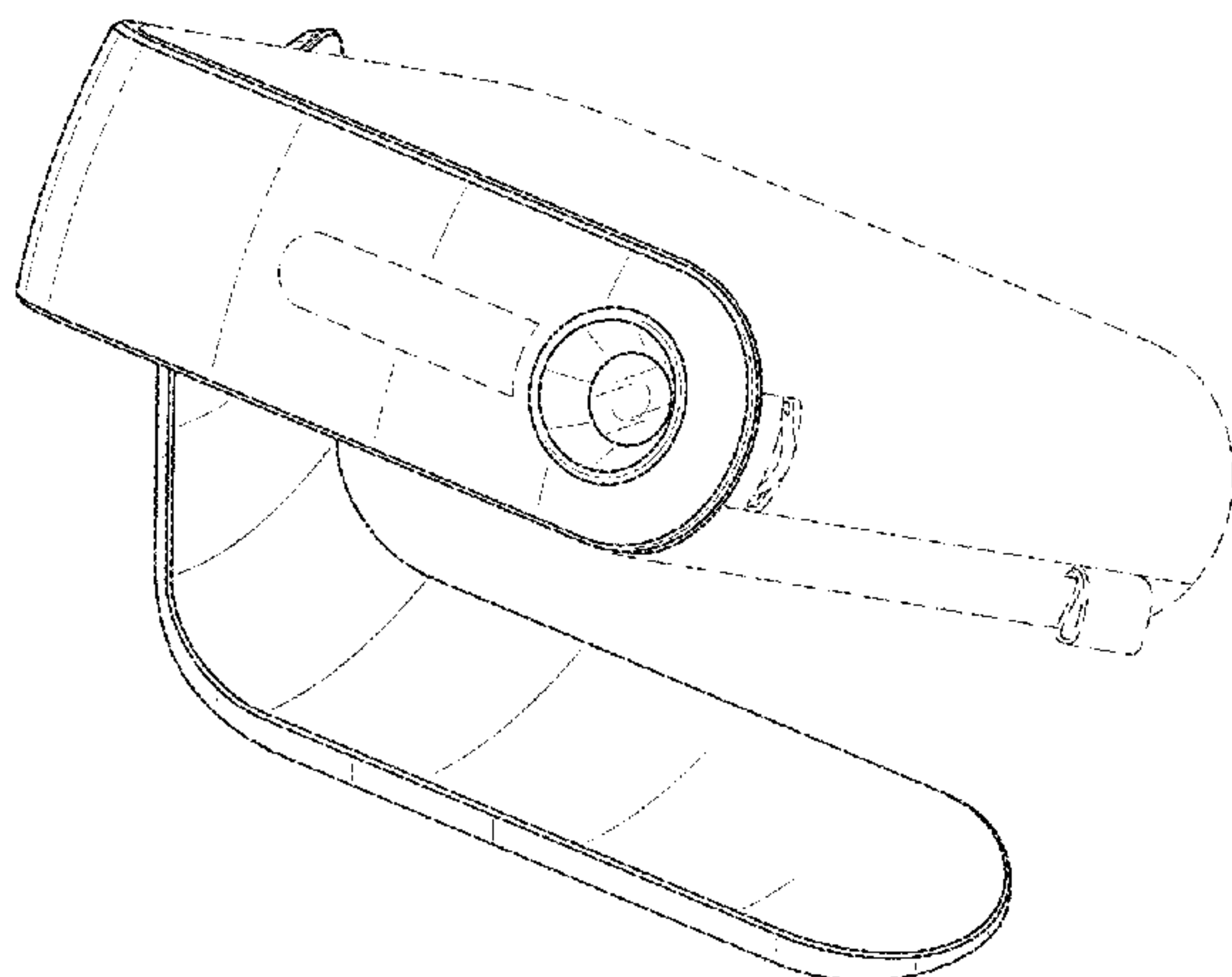
(57) **CLAIM**

The ornamental design for a projector, as shown and described.

DESCRIPTION

FIG. 1 is a perspective view of a projector showing our new design;
FIG. 2 is another perspective view thereof;
FIG. 3 is a front view thereof;
FIG. 4 is a rear view thereof;
FIG. 5 is a left side view thereof;
FIG. 6 is a right side view thereof;
FIG. 7 is a top view thereof;
FIG. 8 is a bottom view thereof;
FIG. 9 is another perspective view thereof in a tilted state; and,
FIG. 10 is another perspective view thereof in a close state. The broken lines immediately adjacent the shaded areas represent the bounds of the claimed design while all other broken ones are directed to environment and are for illustrative purposes only; the broken ones form no part of the claimed design.

1 Claim, 8 Drawing Sheets



(56)

References Cited

U.S. PATENT DOCUMENTS

D738,424 S * 9/2015 Kaneko D16/235
9,405,176 B2 * 8/2016 Kinebuchi G03B 21/16
D818,517 S * 5/2018 Szarawarski D16/242

* cited by examiner

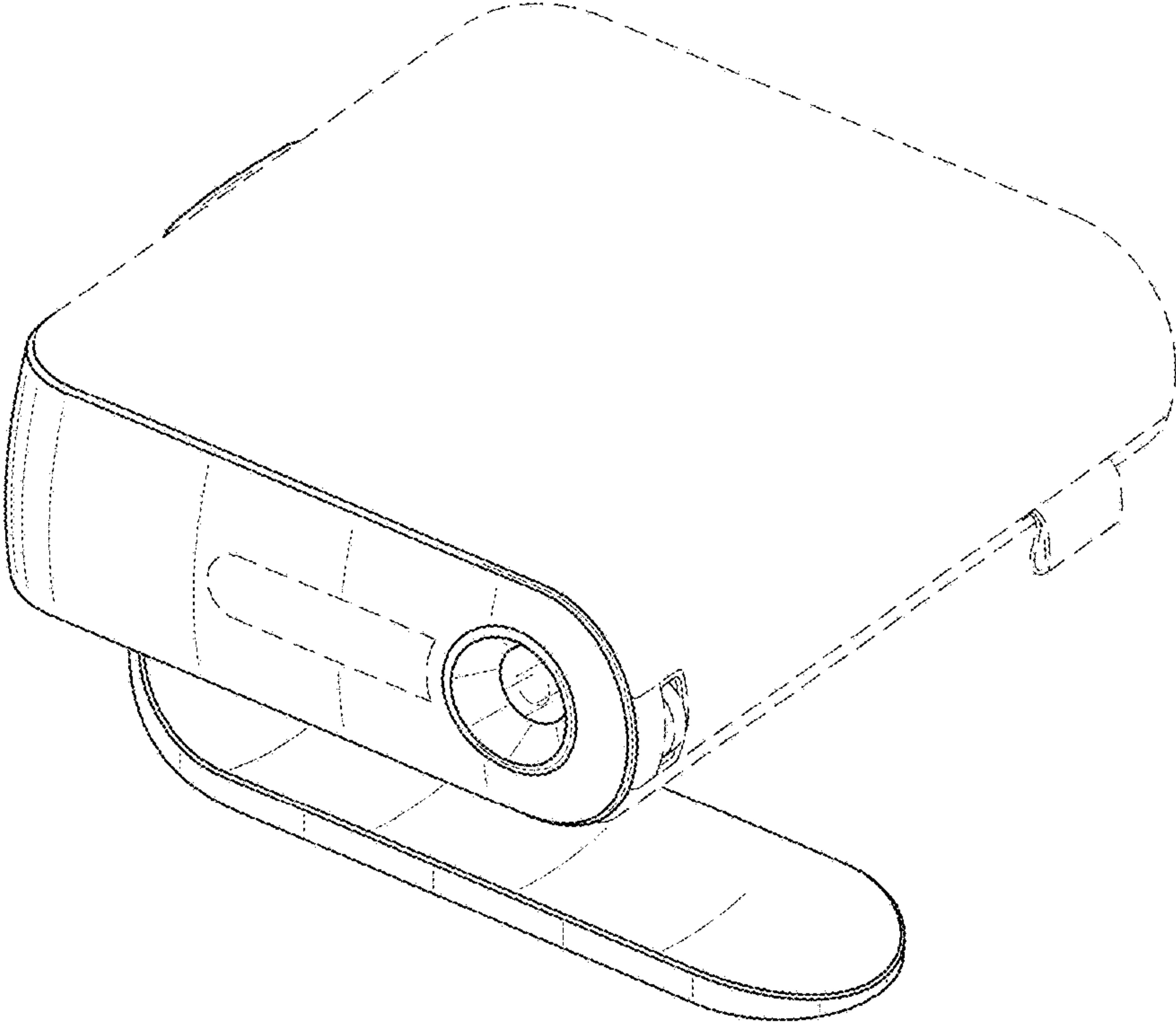


FIG. 1

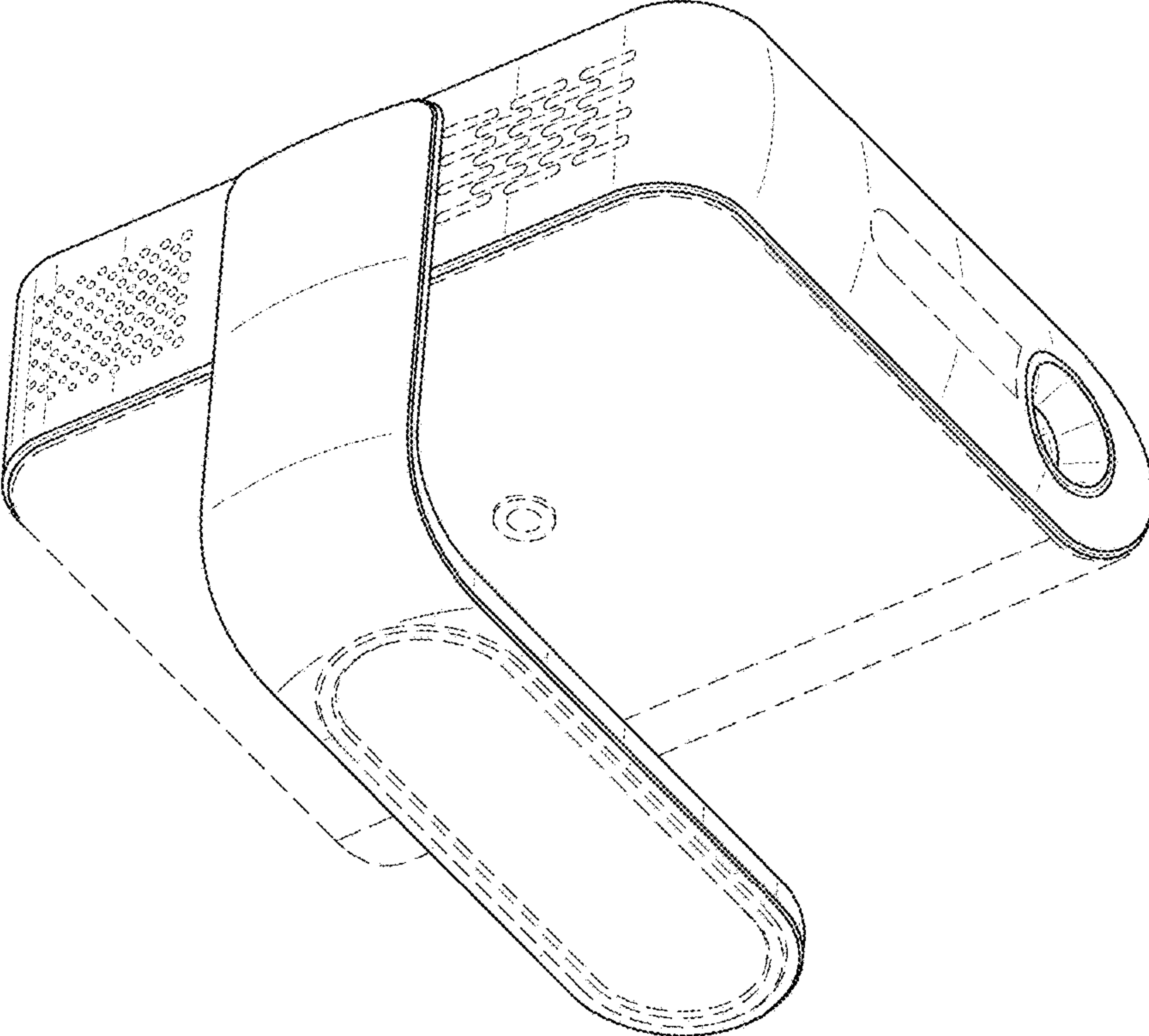


FIG. 2

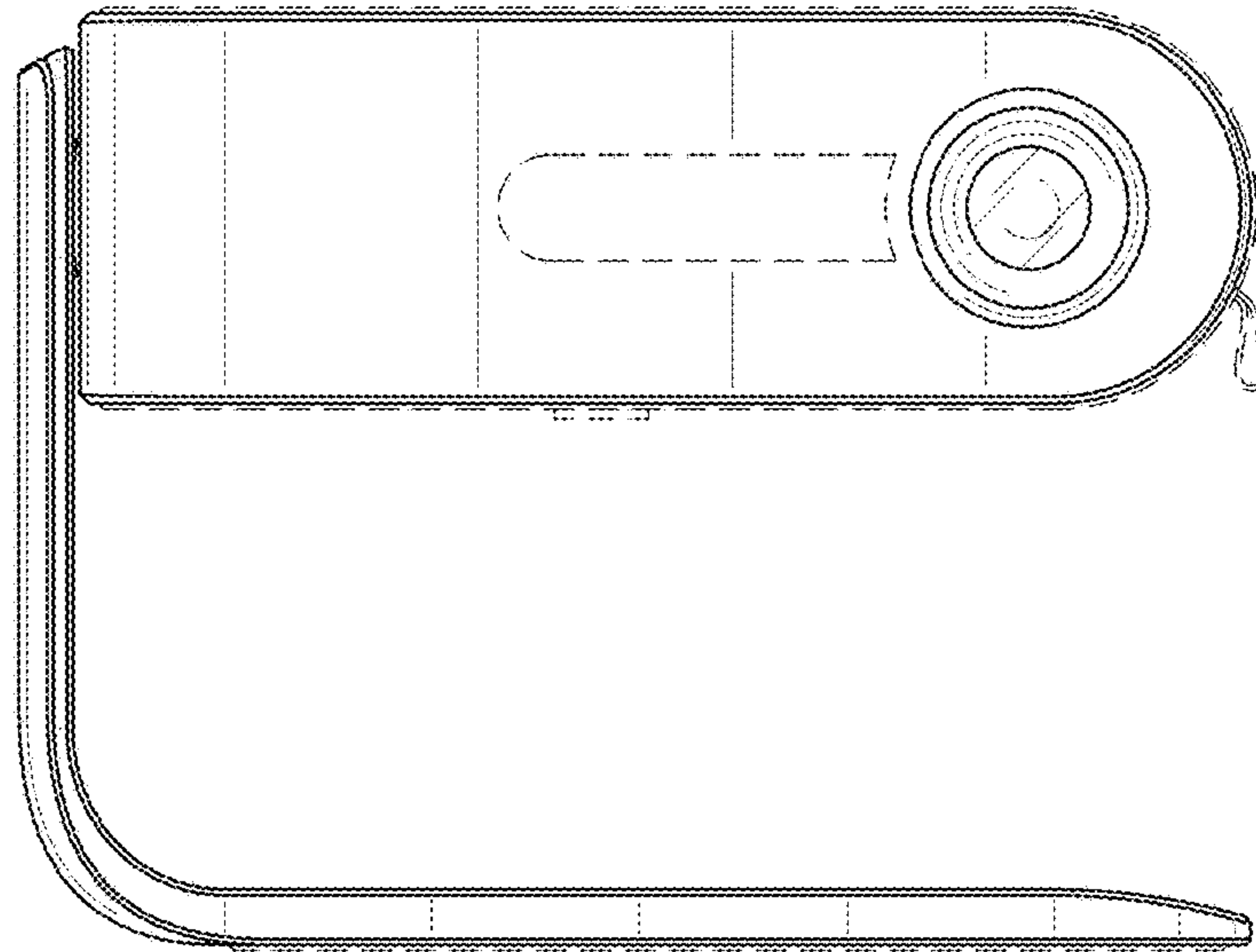


FIG. 3

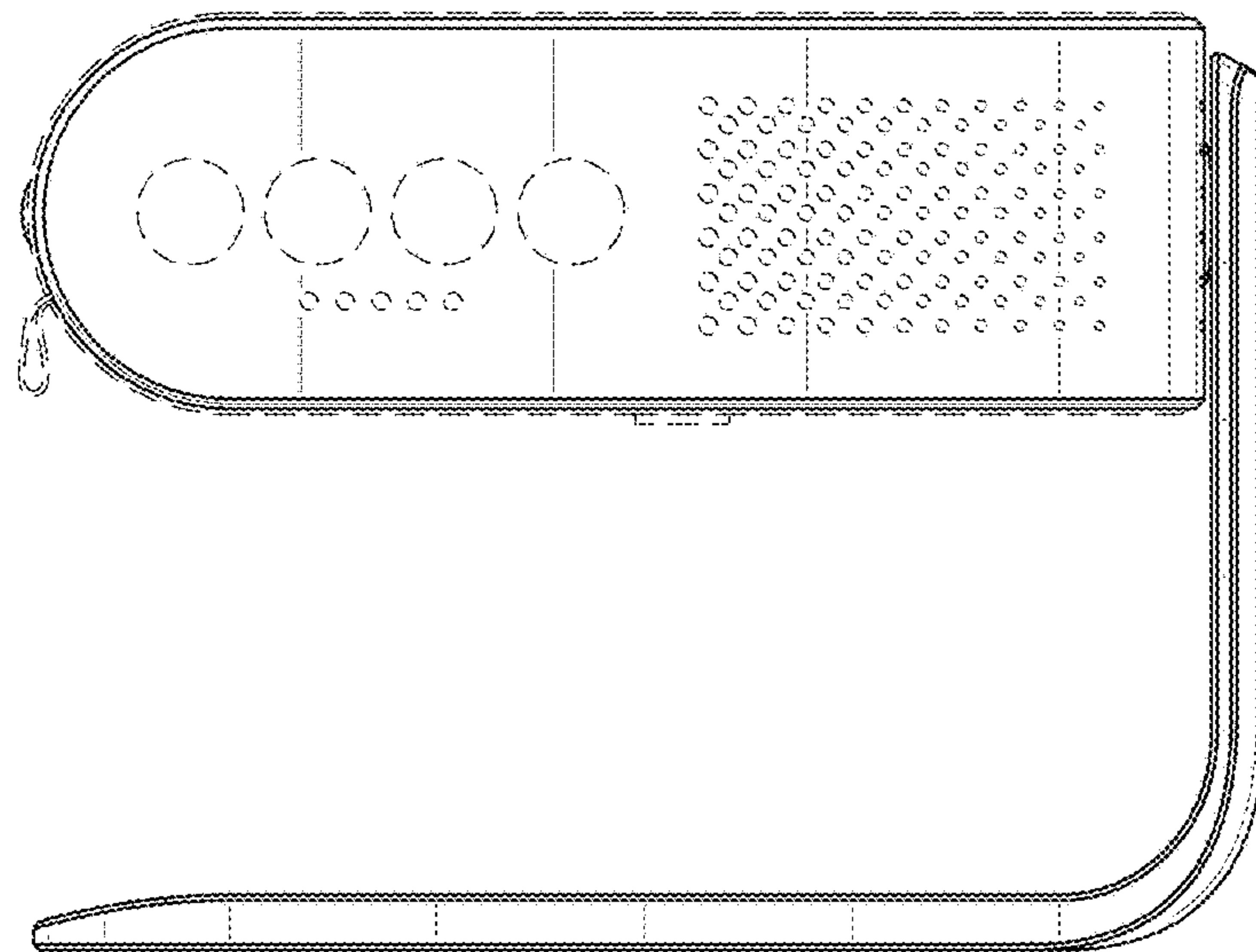


FIG. 4

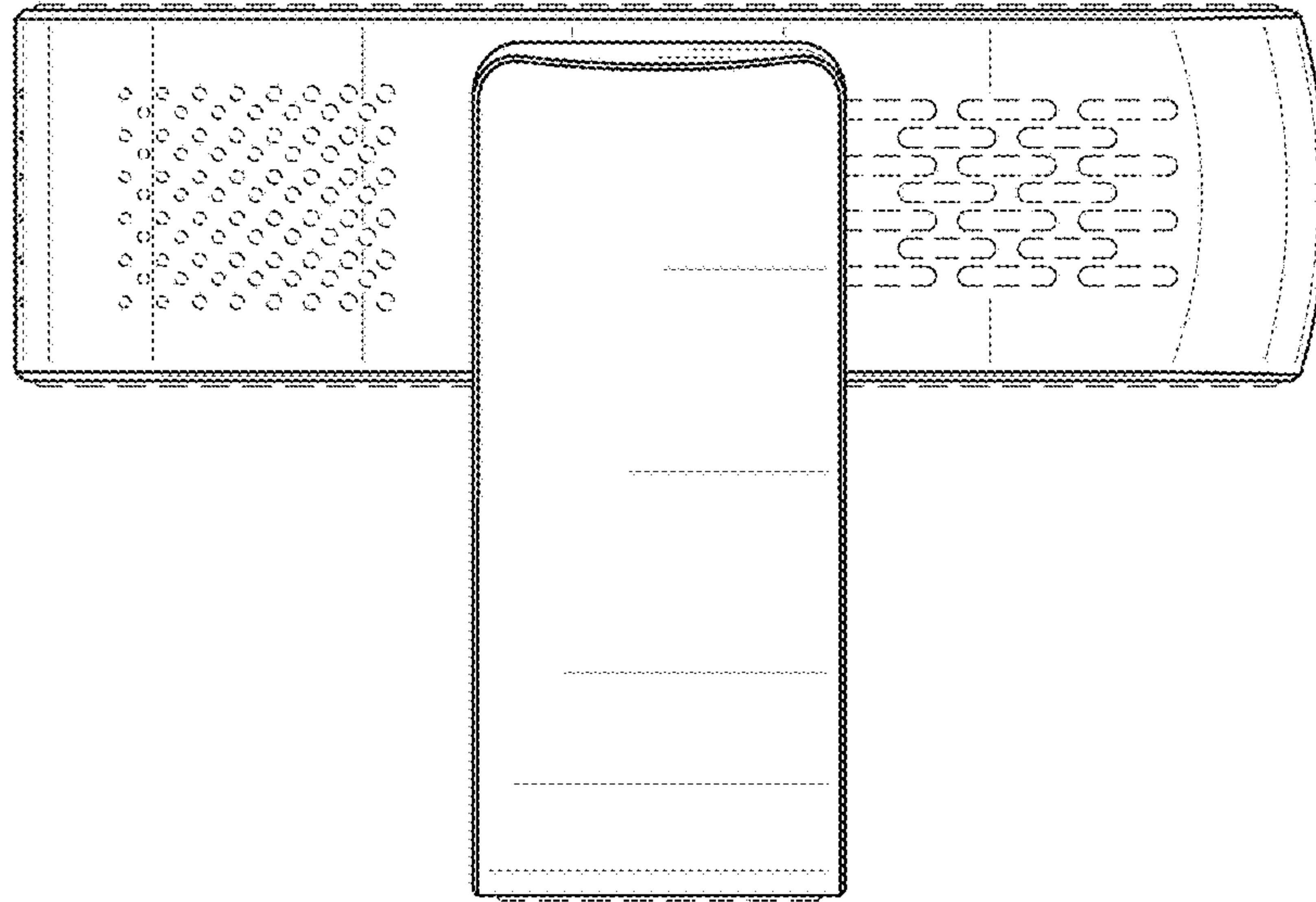


FIG. 5

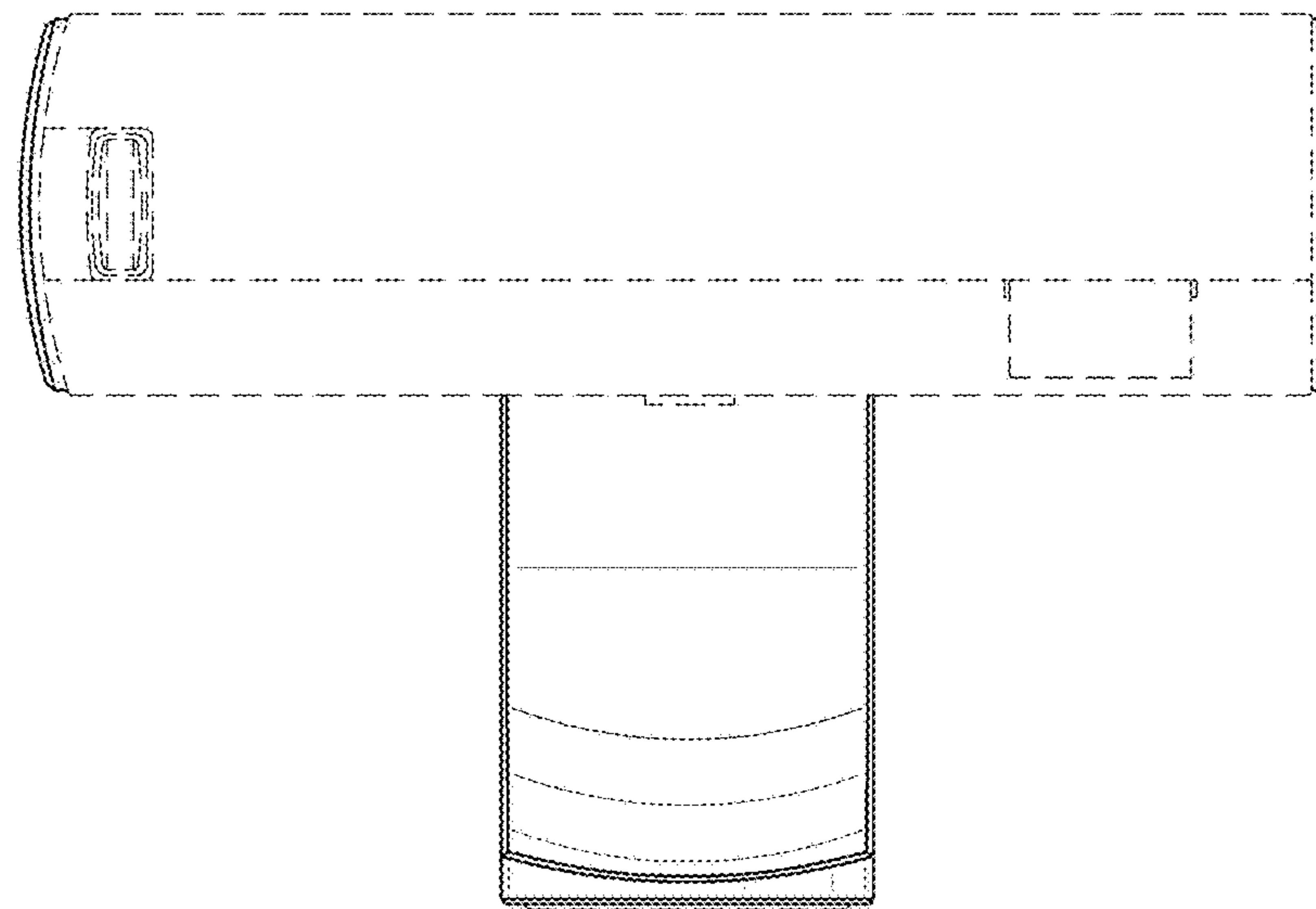


FIG. 6

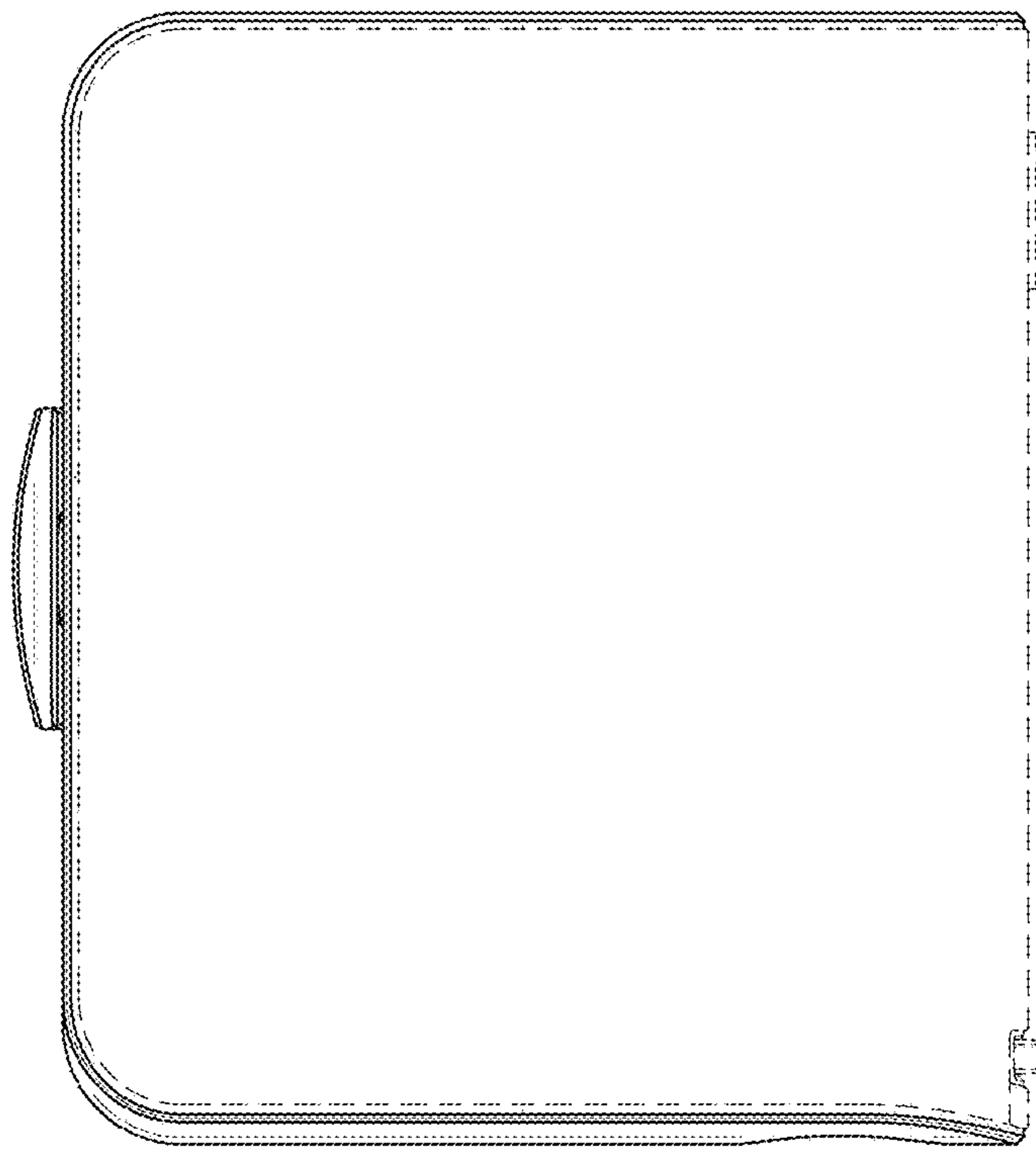


FIG. 7

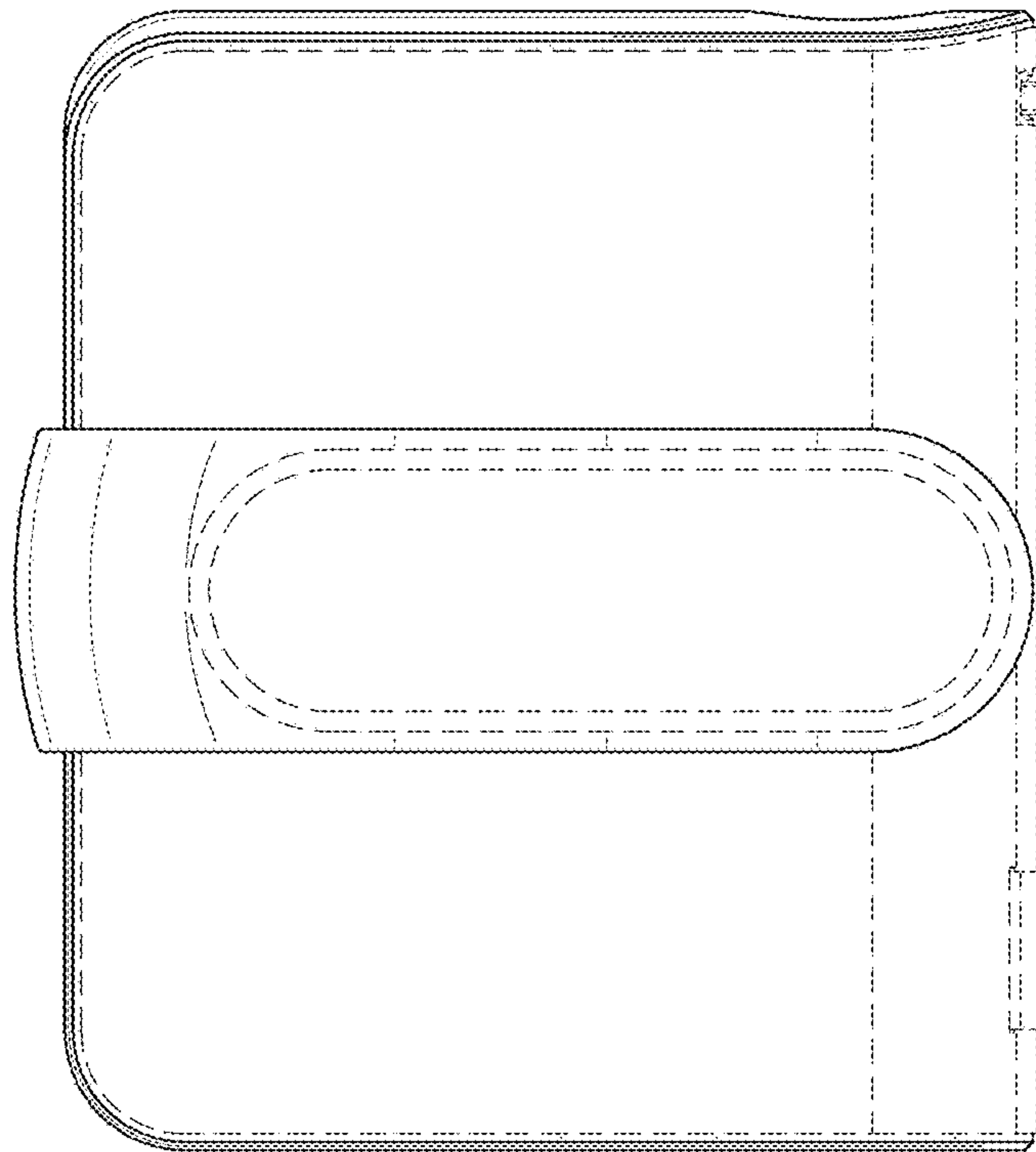


FIG. 8

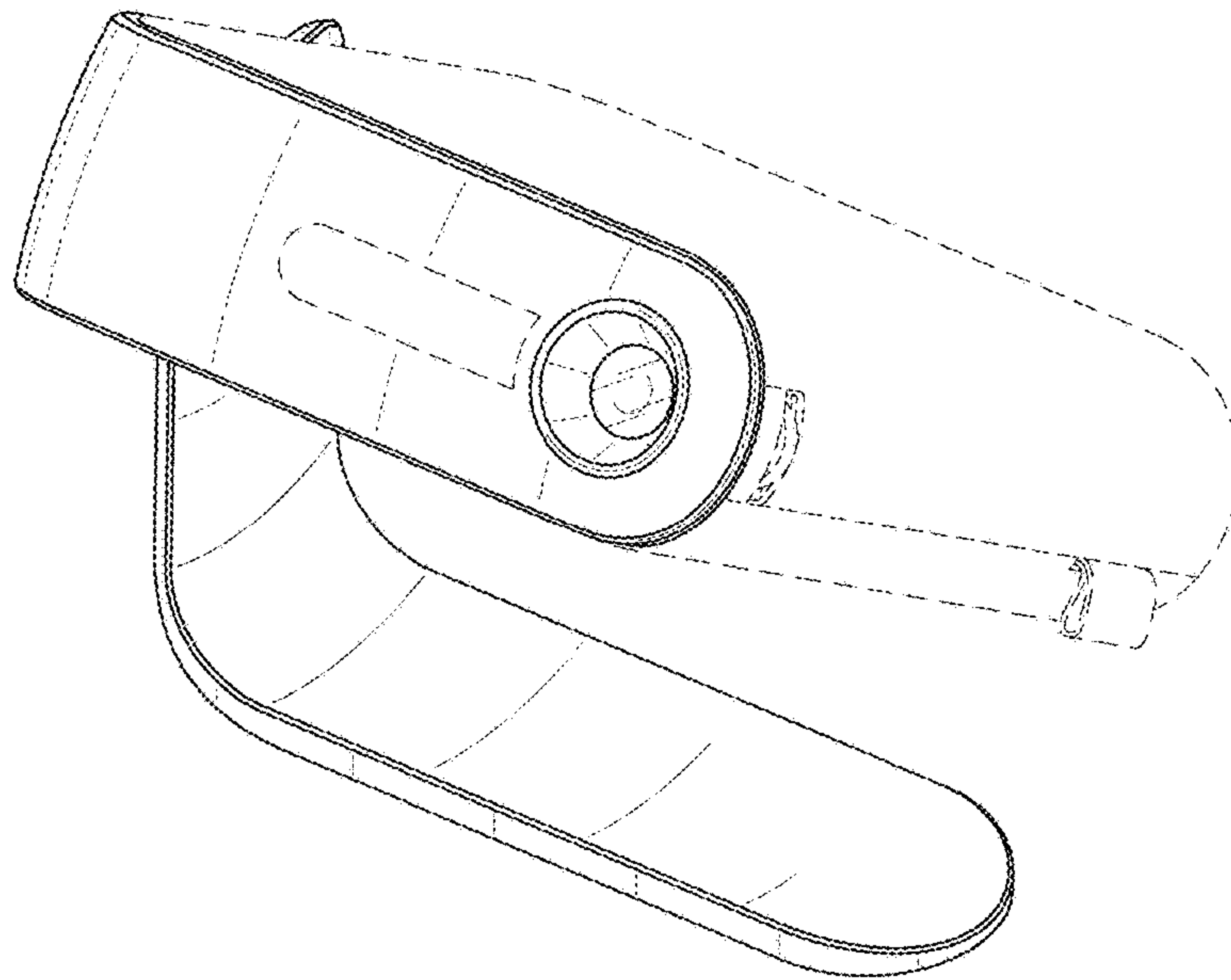


FIG. 9

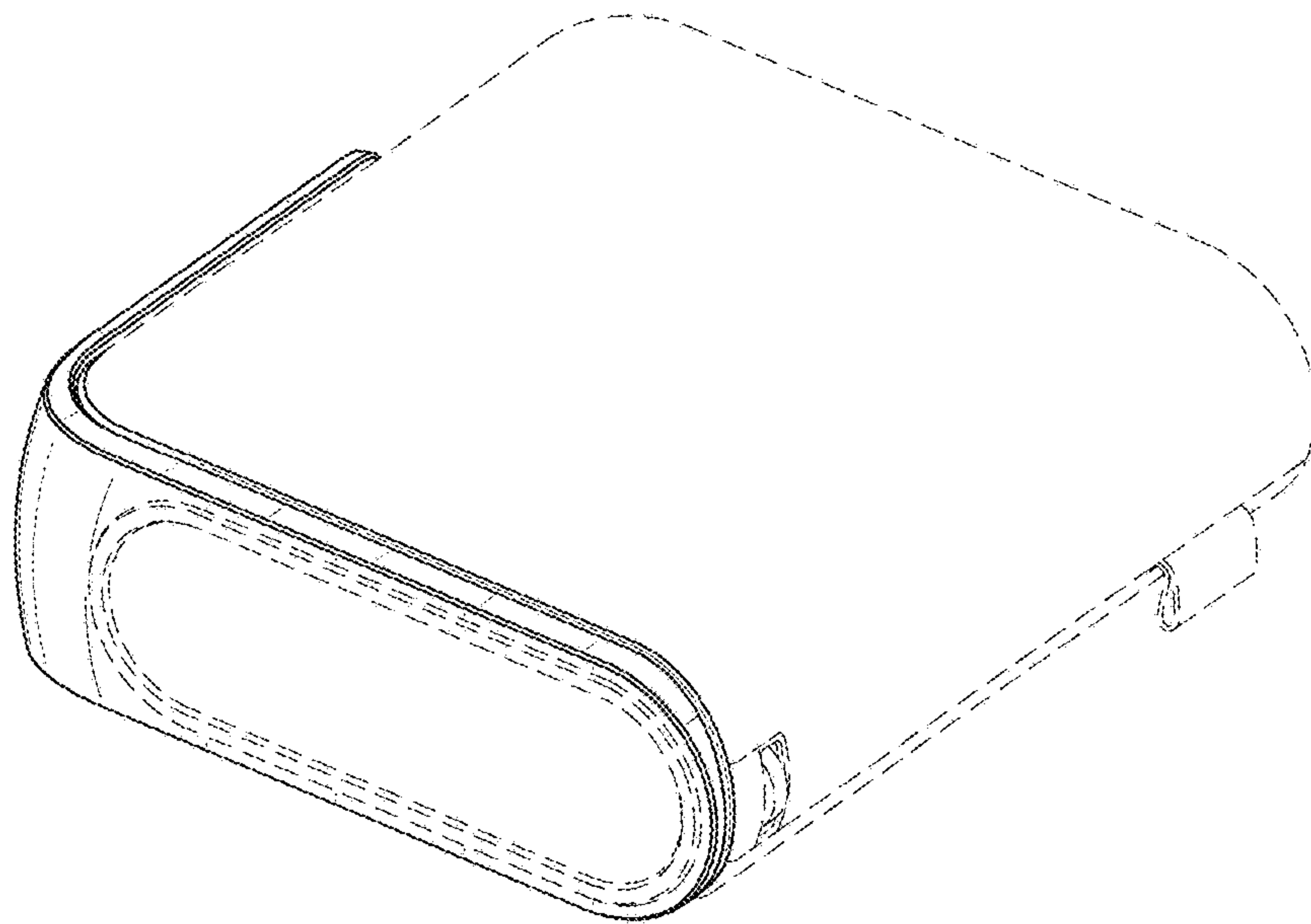


FIG. 10