



US00D865036S

(12) **United States Design Patent**  
**Rebot et al.**

(10) **Patent No.:** **US D865,036 S**

(45) **Date of Patent:** **\*\* Oct. 29, 2019**

(54) **PROJECTOR**

(71) Applicant: **SPIN MASTER LTD.**, Toronto (CA)

(72) Inventors: **Natalie Rebot**, Toronto (CA); **Hamid R. Hashemi**, Mississauga (CA); **Herman Chan**, Toronto (CA)

(73) Assignee: **SPIN MASTER LTD.**, Toronto (CA)

(\*\*) Term: **15 Years**

(21) Appl. No.: **29/625,175**

(22) Filed: **Nov. 7, 2017**

(51) **LOC (12) Cl.** ..... **16-02**

(52) **U.S. Cl.**

USPC ..... **D16/235**; D16/225

(58) **Field of Classification Search**

USPC ..... D16/221, 225, 234–236; D21/514;  
353/119, 9, 103–104, 107–110, 115,  
353/DIG. 3, DIG. 5

CPC .... G03B 21/145; G03B 21/001; G03B 21/54;  
G03B 21/00; G03B 21/003; G03B 21/12;  
G03B 21/14

See application file for complete search history.

(56) **References Cited**

**U.S. PATENT DOCUMENTS**

D178,719 S \* 9/1956 Bersudsky ..... D16/232  
D184,949 S \* 4/1959 Mackay ..... D16/221

D225,778 S \* 1/1973 Peasley ..... D16/232  
D375,970 S \* 11/1996 Harata ..... D16/221  
D409,643 S \* 5/1999 Gilbert ..... D16/230  
D412,006 S \* 7/1999 Gilbert ..... D16/225  
D451,528 S \* 12/2001 Gaewsky ..... D16/230  
9,921,461 B1 \* 3/2018 Rebot ..... G03B 21/145

\* cited by examiner

*Primary Examiner* — Wan Laymon

(74) *Attorney, Agent, or Firm* — Millman IP Inc.

(57) **CLAIM**

The ornamental design for a projector, as shown and described.

**DESCRIPTION**

FIG. 1 is a top front right side perspective view of a projector of the new design;

FIG. 2 is a top front left side perspective view thereof;

FIG. 3 is a top back left side perspective view thereof;

FIG. 4 is a top back right side perspective thereof;

FIG. 5 is a front elevation view thereof;

FIG. 6 is a right side elevation view thereof;

FIG. 7 is a bottom view thereof;

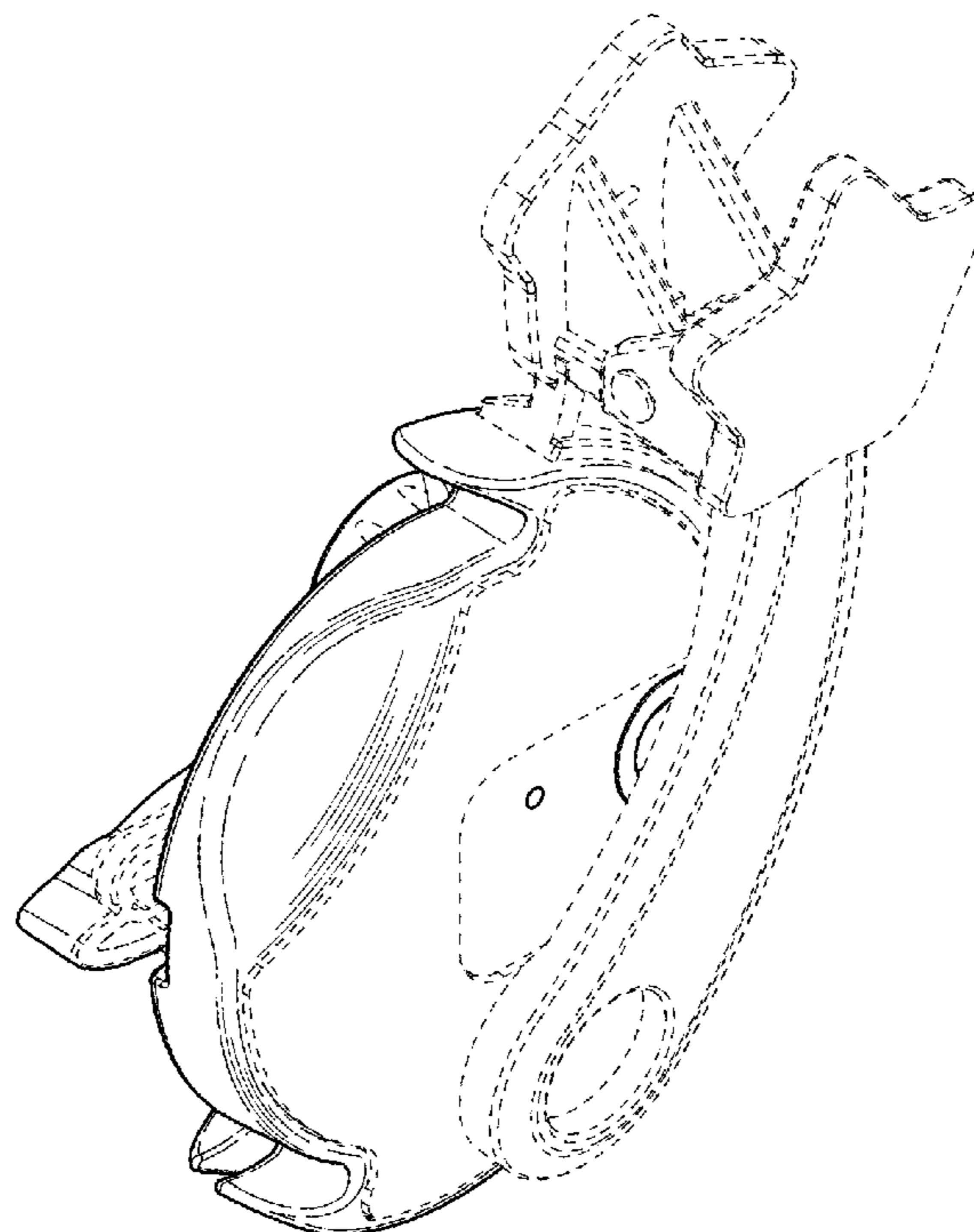
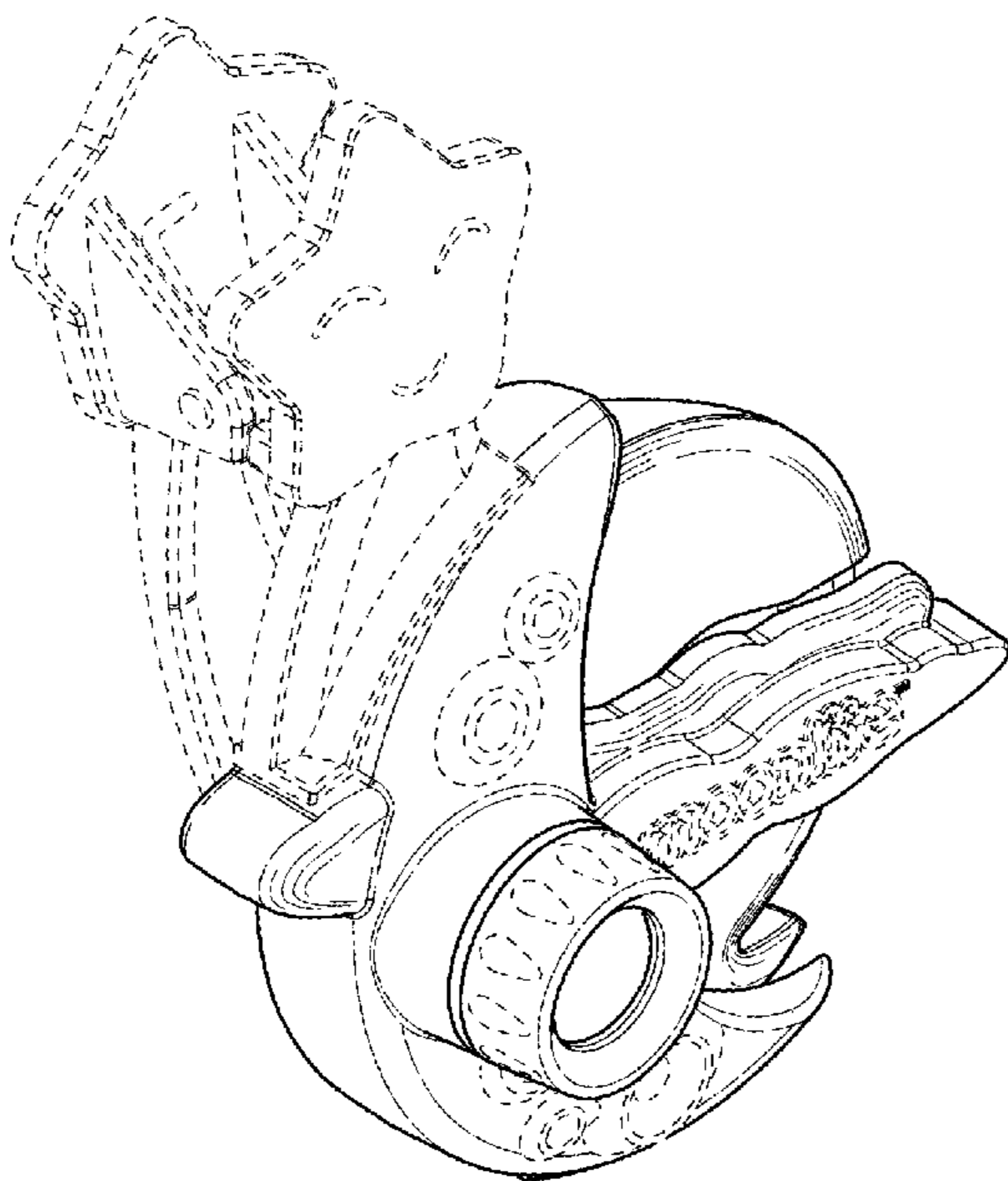
FIG. 8 is a back elevation view thereof;

FIG. 9 is a left side elevation view thereof; and,

FIG. 10 is a top view thereof.

The broken lines shown in the drawings are for illustration only and form no part of the claimed design.

**1 Claim, 4 Drawing Sheets**



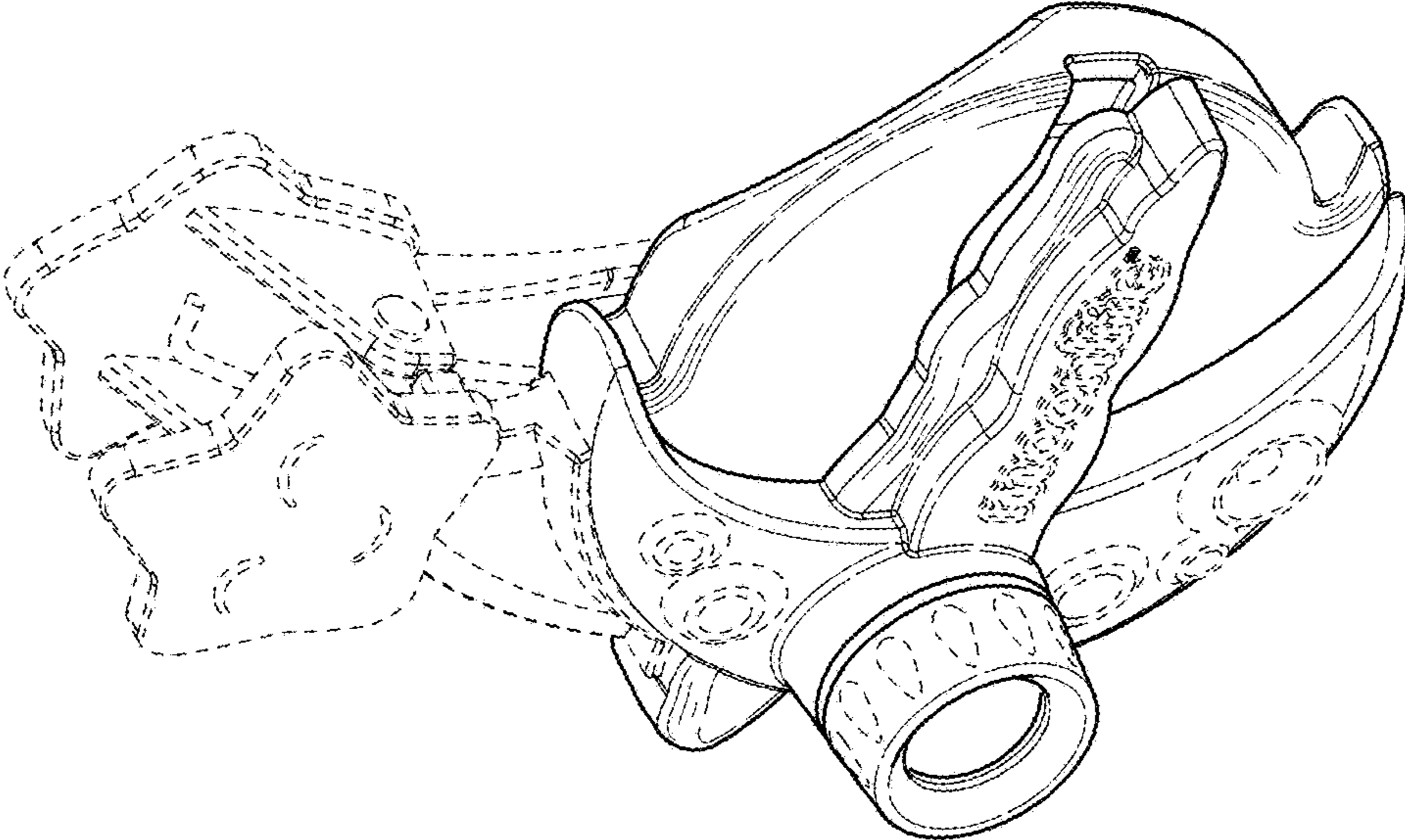


FIG. 2

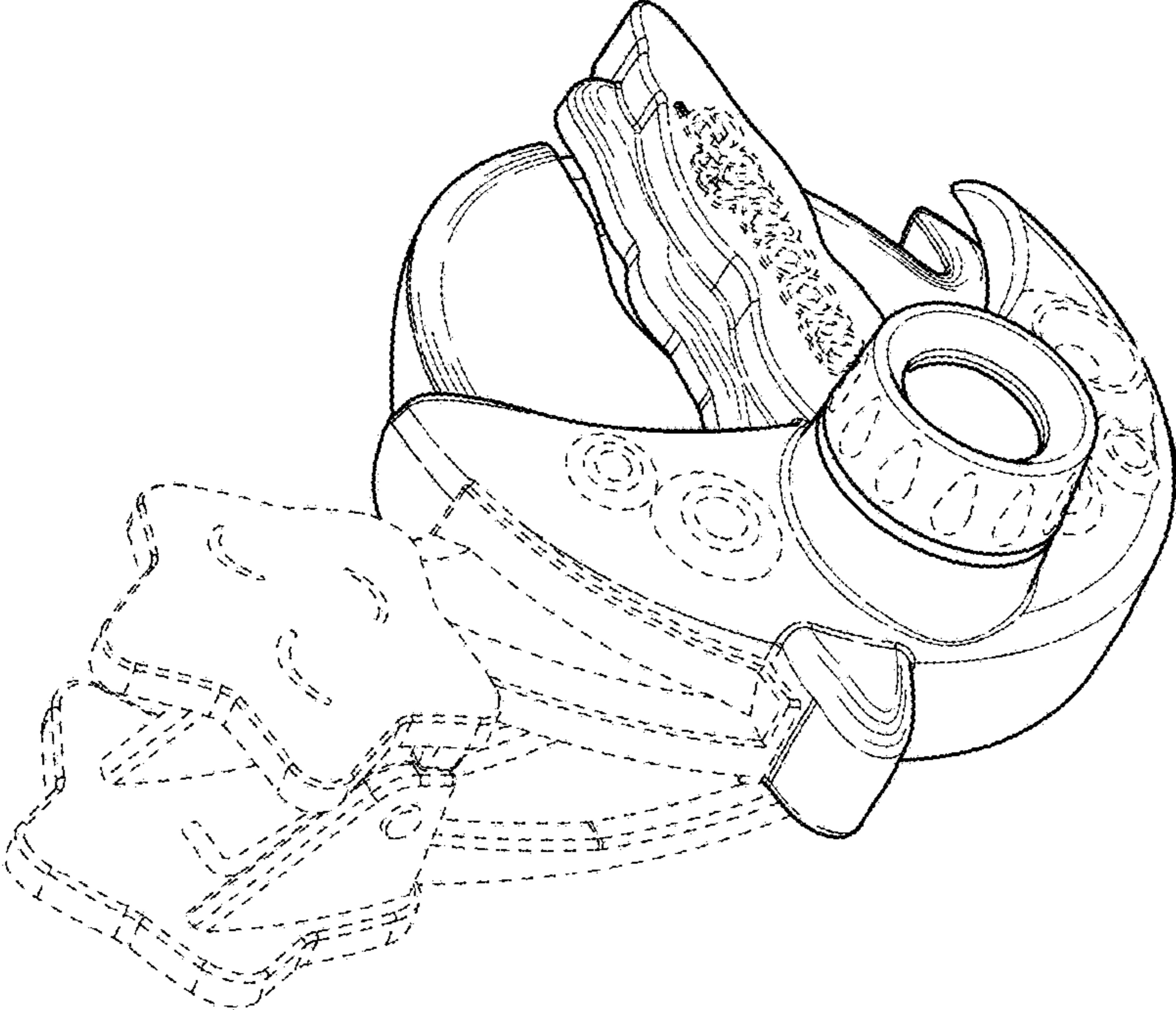


FIG. 1



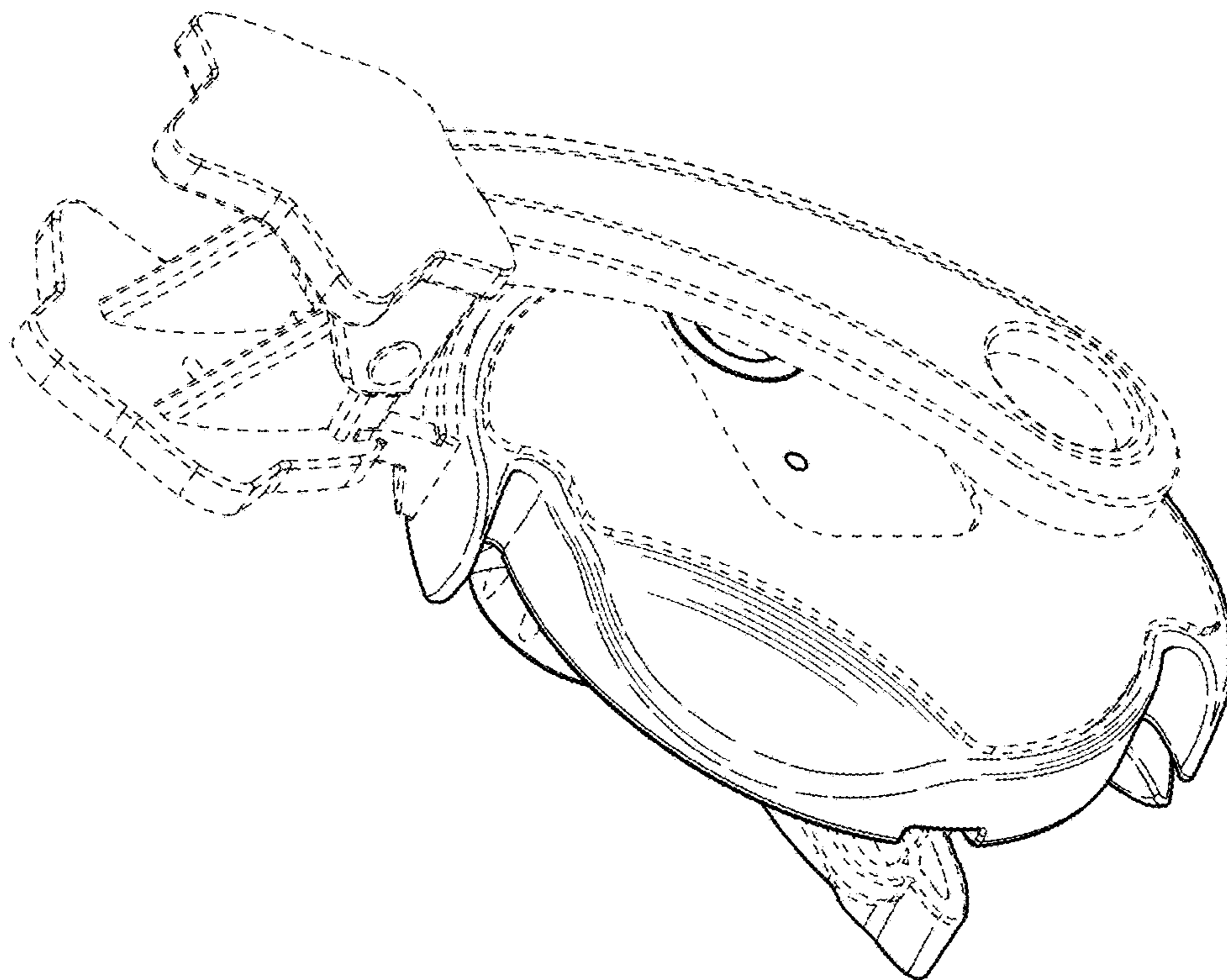


FIG. 3

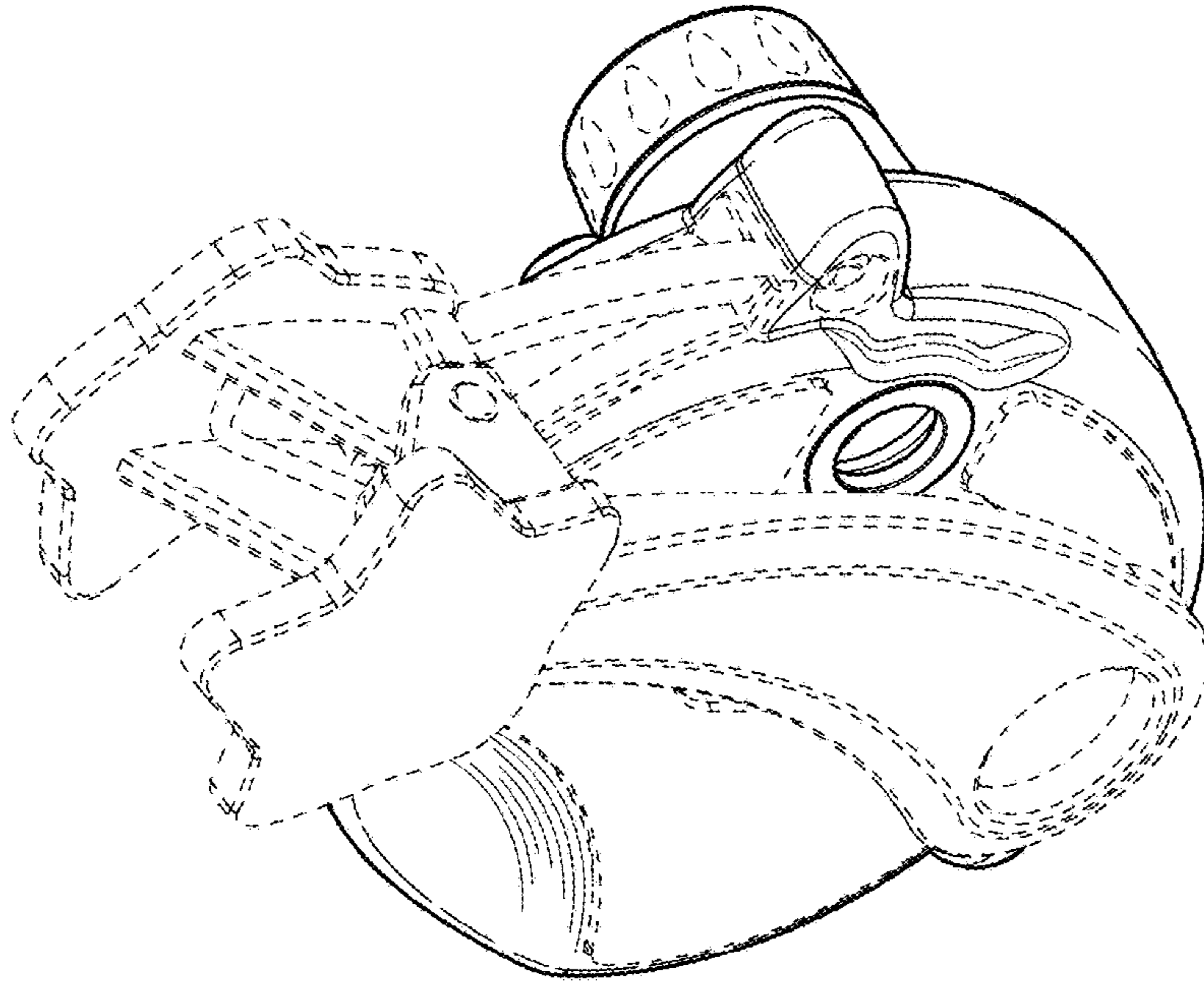


FIG. 4

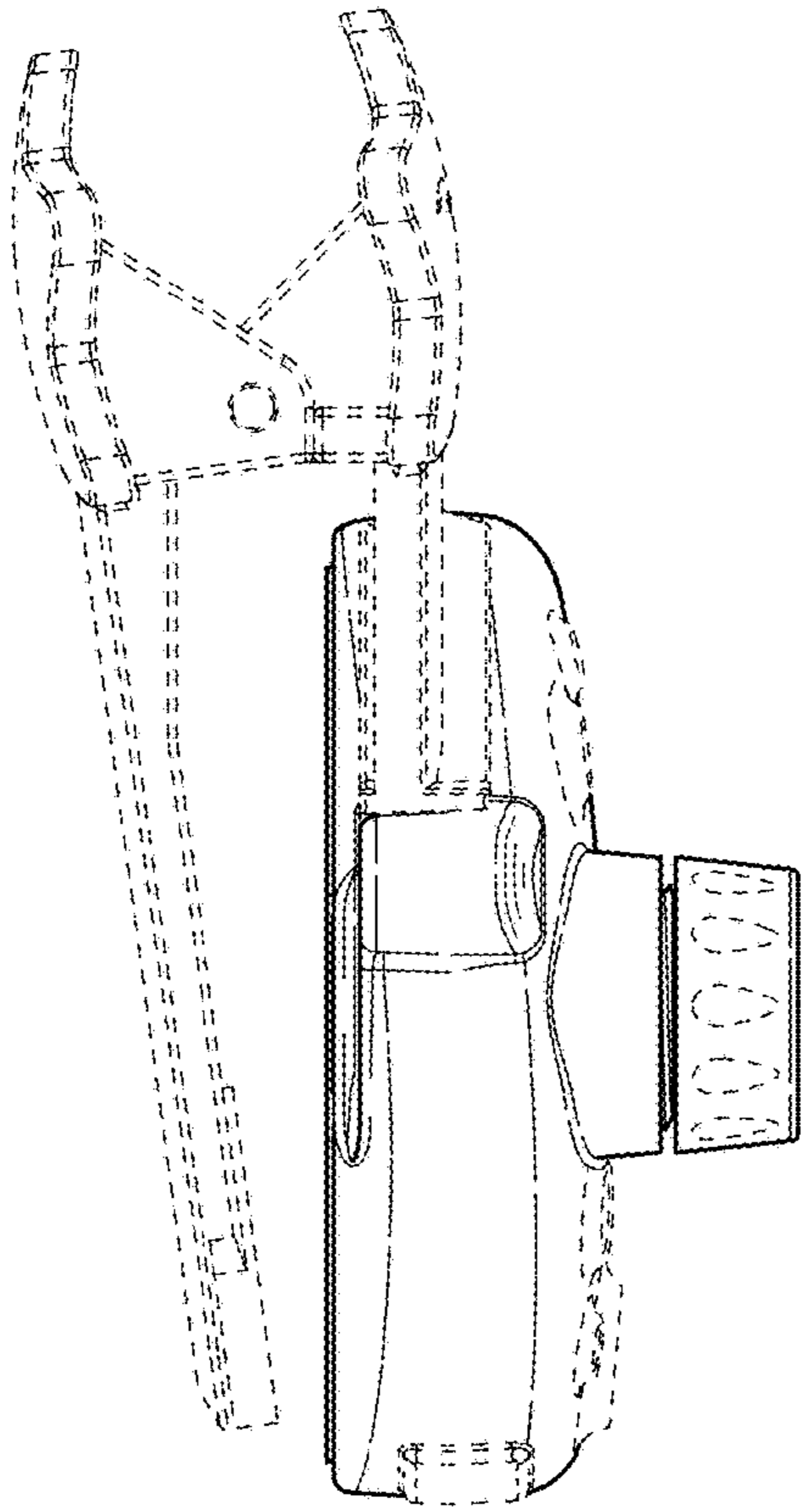


FIG. 6

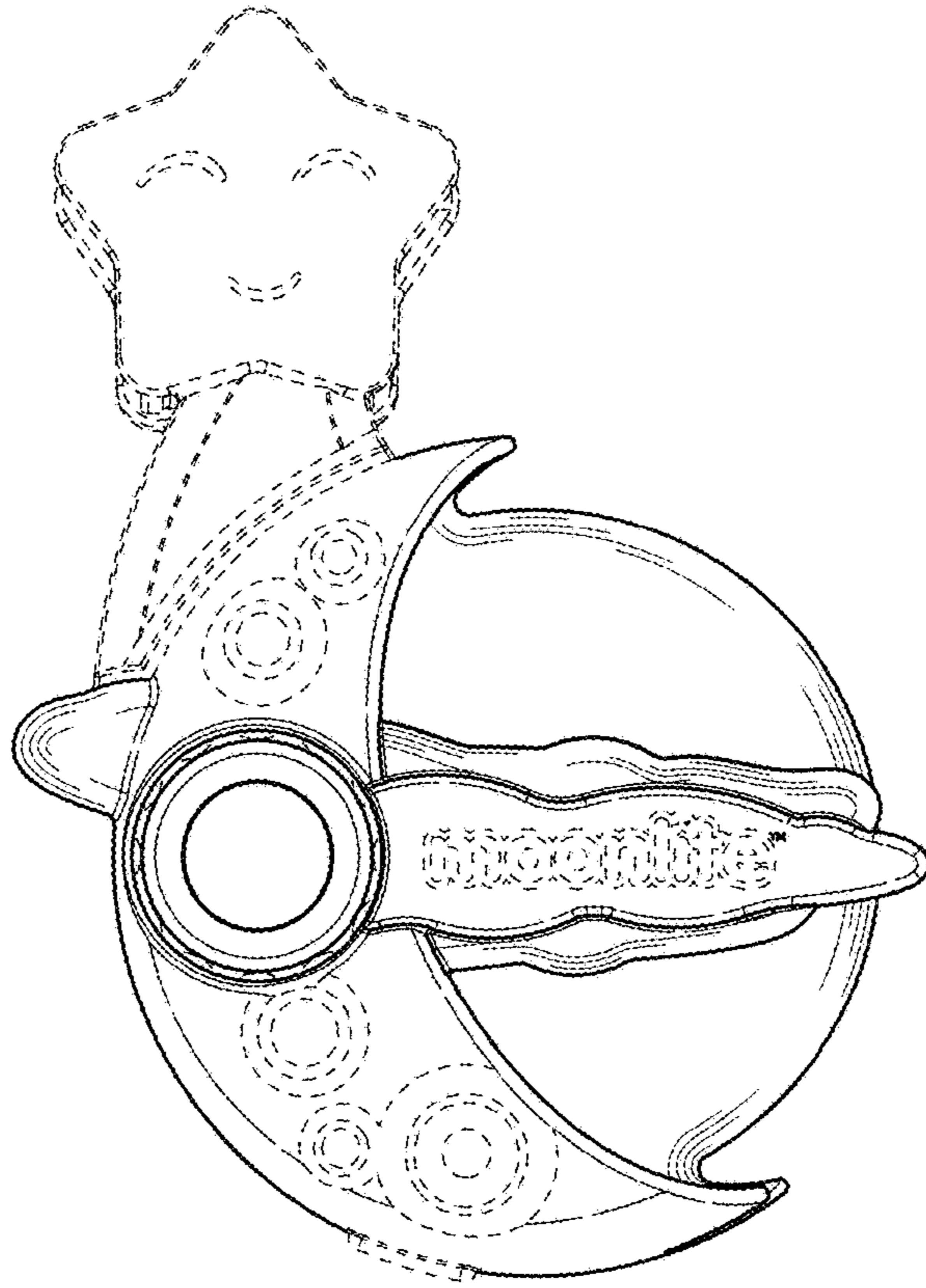


FIG. 5

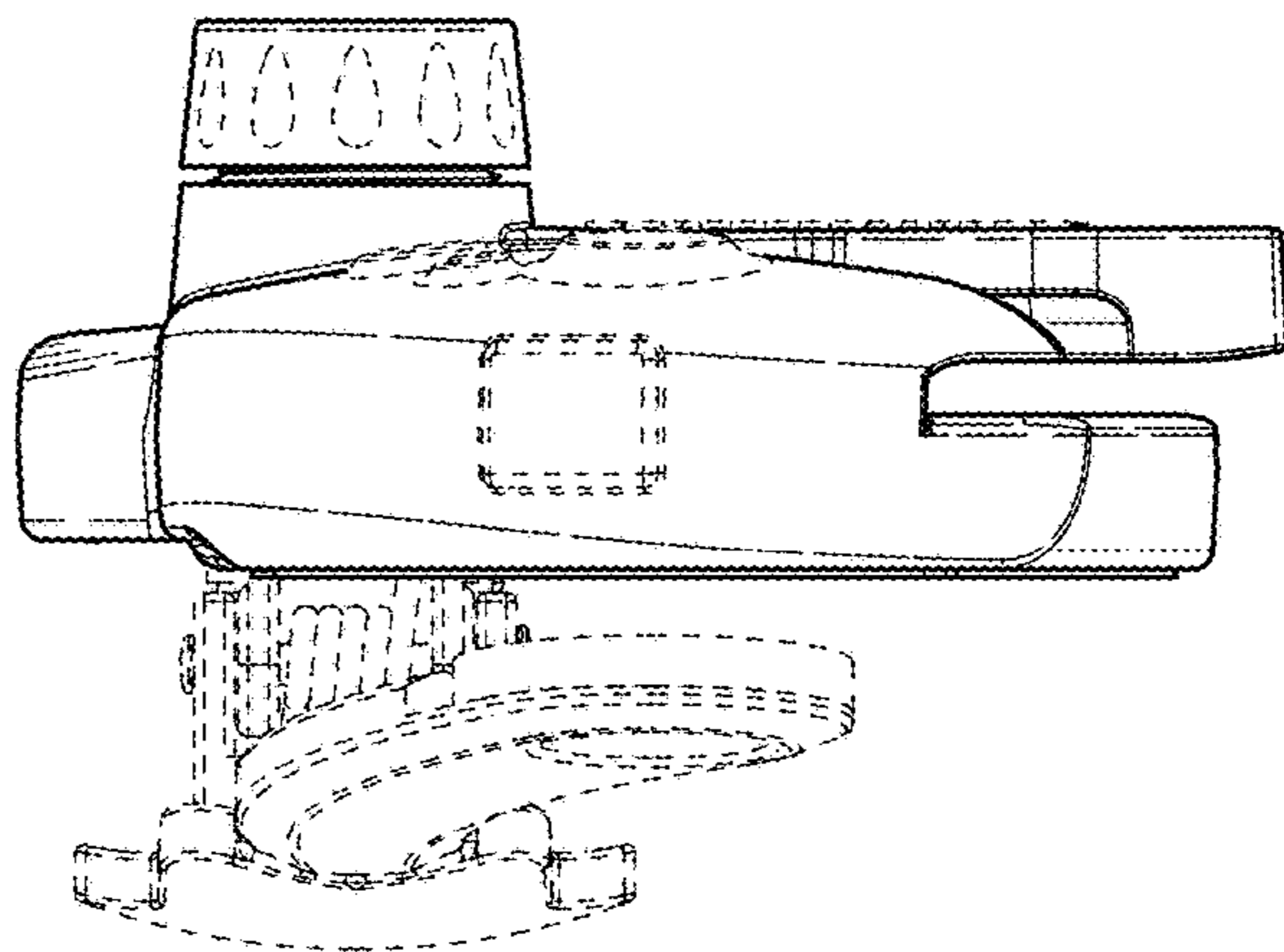


FIG. 7

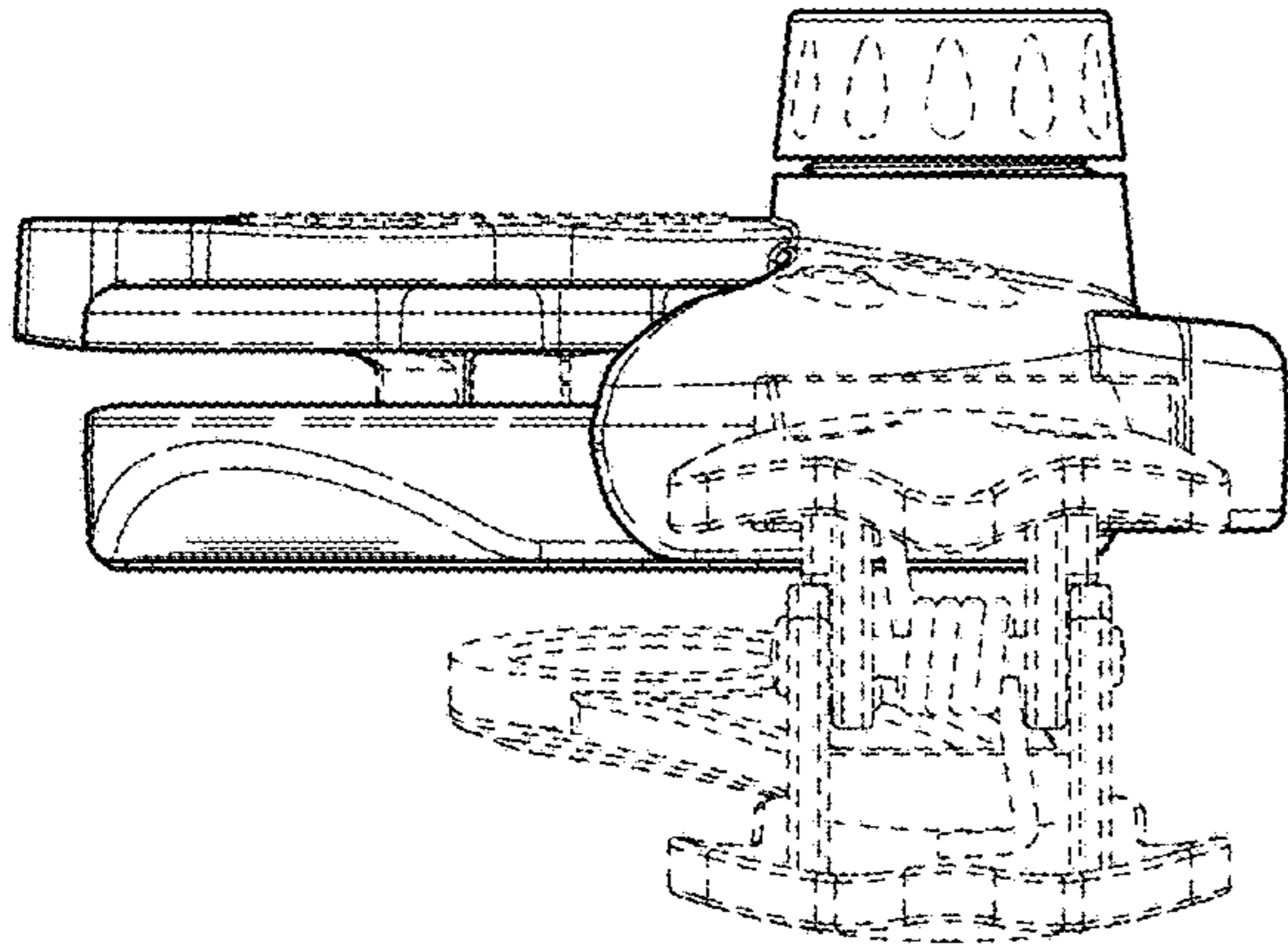


FIG. 10

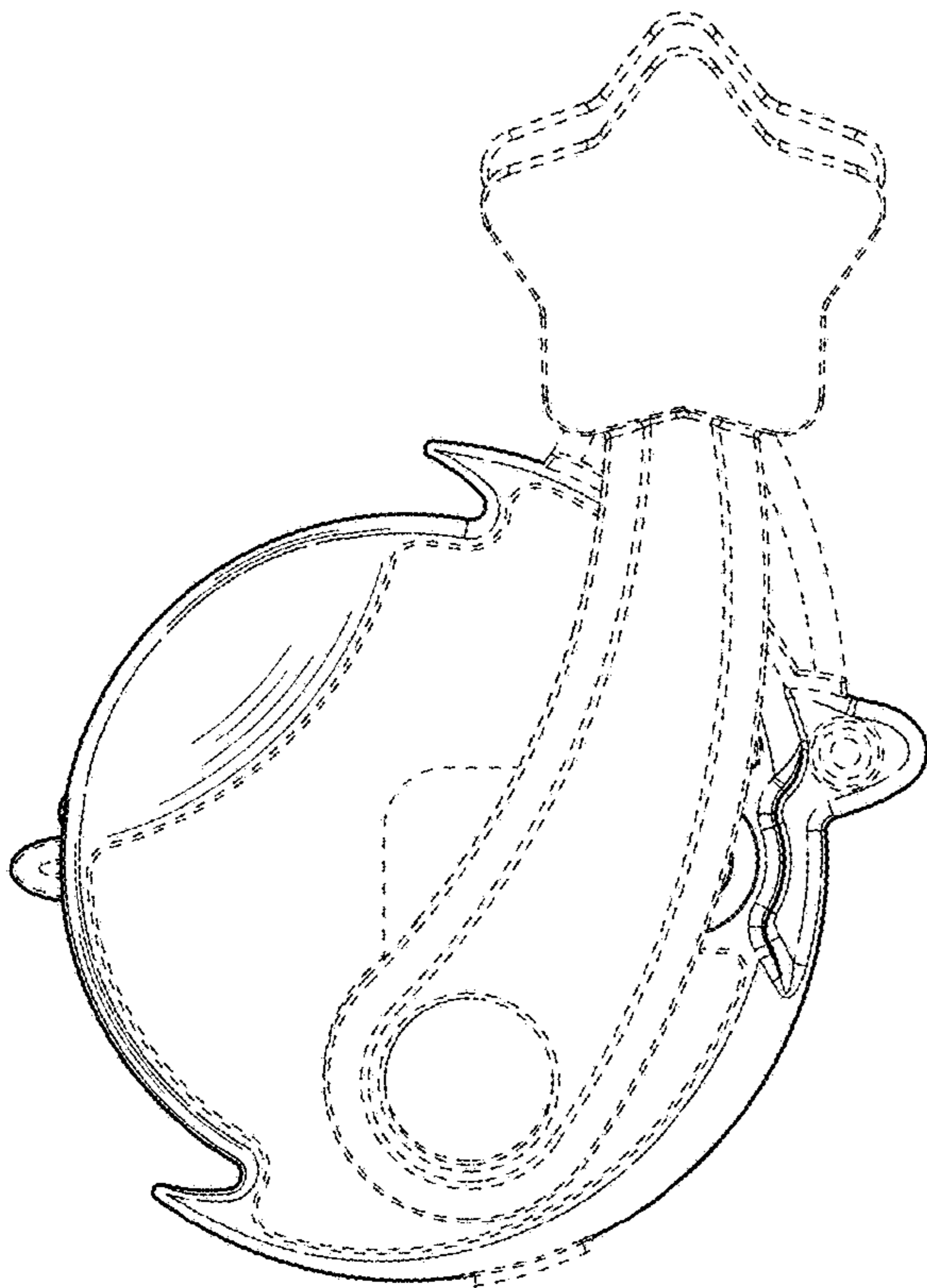


FIG. 8

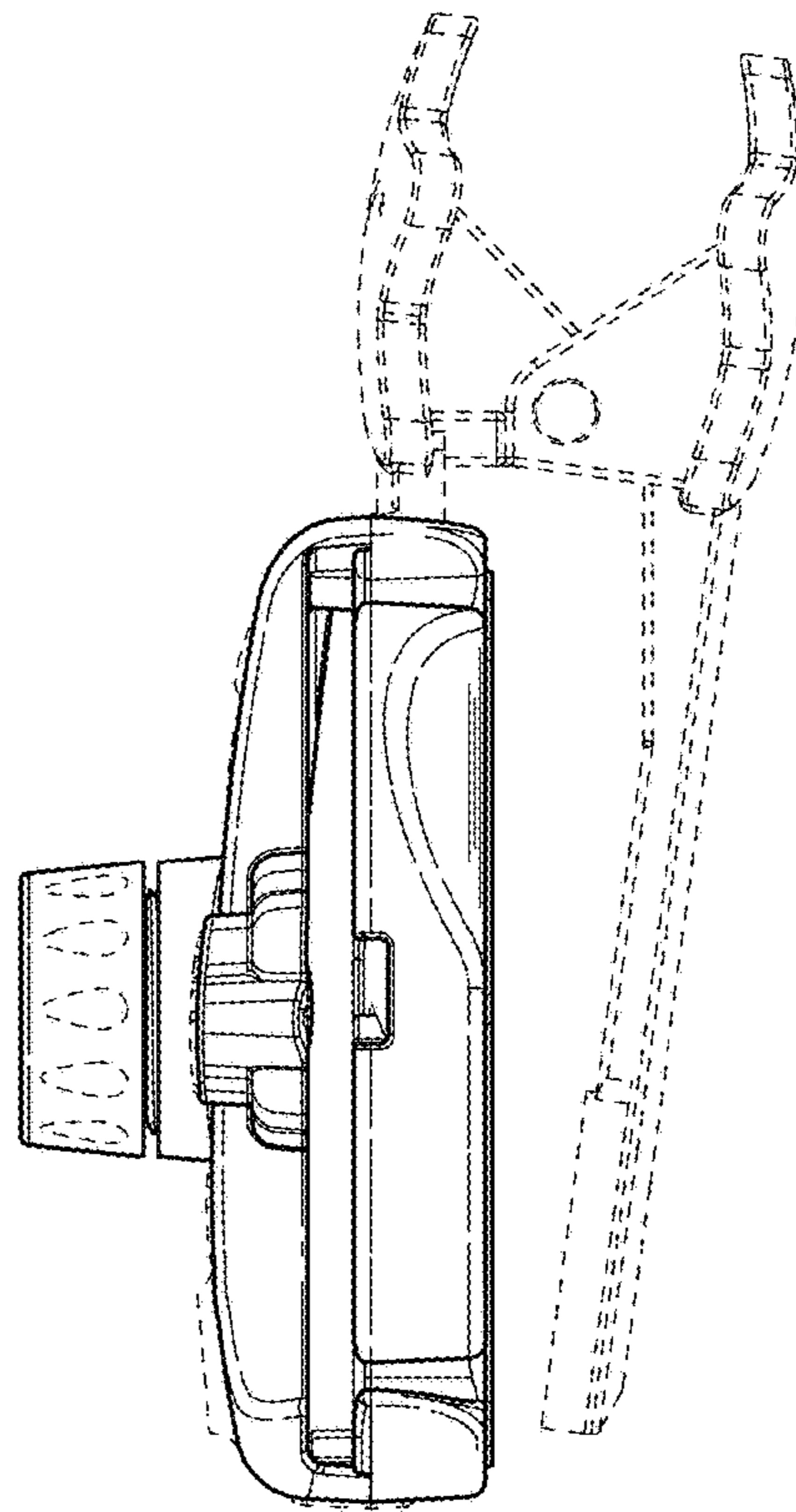


FIG. 9