



US00D865035S

(12) **United States Design Patent**  
**Chen et al.**

(10) **Patent No.:** **US D865,035 S**

(45) **Date of Patent:** **\*\* Oct. 29, 2019**

(54) **PROJECTOR**

(71) Applicant: **Changchun Chen**, Shenzhen,  
Guangdong (CN)

(72) Inventors: **Changchun Chen**, Guangdong (CN);  
**Xinzheng Zhang**, Guangdong (CN)

(73) Assignee: **Changchun Chen**, Shenzhen (CN)

(\*\*) Term: **15 Years**

(21) Appl. No.: **29/656,588**

(22) Filed: **Jul. 13, 2018**

(30) **Foreign Application Priority Data**

Jan. 22, 2018 (CN) ..... 2018 3 0029843

(51) **LOC (12) Cl.** ..... **16-02**

(52) **U.S. Cl.**  
USPC ..... **D16/230; D16/225**

(58) **Field of Classification Search**  
USPC ..... D16/221, 225, 229–231, 234; D21/514  
CPC ..... G03B 21/145; G03B 21/14; G03B 21/12;  
G03B 21/00; G03B 21/001; G03B  
21/003; G03B 21/16  
See application file for complete search history.

(56) **References Cited**

**U.S. PATENT DOCUMENTS**

D472,571 S \* 4/2003 Williams ..... D16/230  
D577,051 S \* 9/2008 Yamamizu ..... D16/225

D711,453 S \* 8/2014 Fujii ..... D16/225  
D757,149 S \* 5/2016 Morohoshi ..... D16/225  
9,823,463 B2 \* 11/2017 Umamine ..... G03B 21/16  
D828,431 S \* 9/2018 Gan ..... D16/230  
2016/0274444 A1 \* 9/2016 Mikutsu ..... G03B 21/145

\* cited by examiner

*Primary Examiner* — Wan Laymon

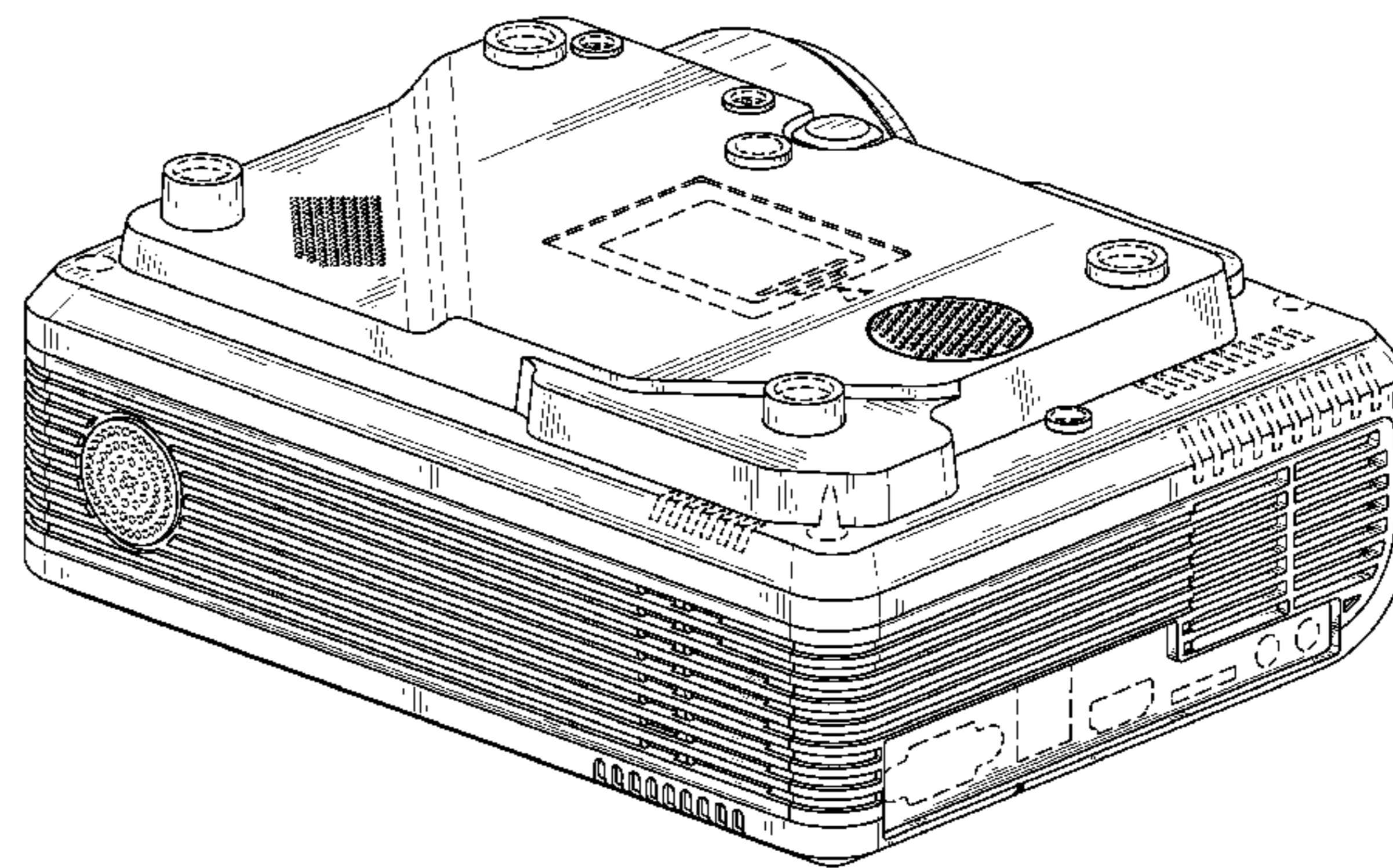
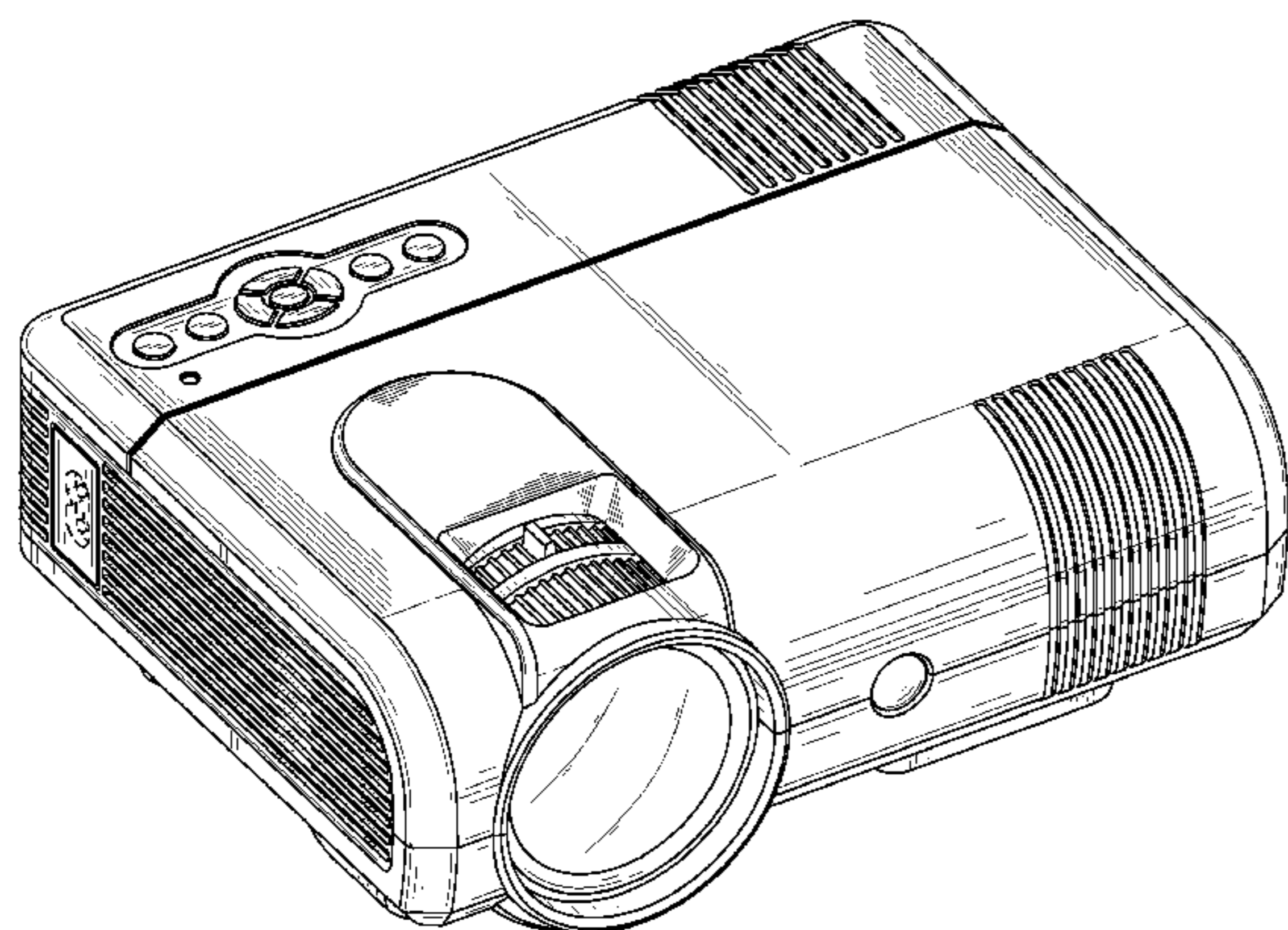
(57) **CLAIM**

The ornamental design for a projector, as shown and described.

**DESCRIPTION**

FIG. 1 is a top, front and left side perspective view of a projector showing our new design;  
FIG. 2 is a bottom, rear and right side perspective view thereof;  
FIG. 3 is a front elevational view thereof;  
FIG. 4 is a rear elevational view thereof;  
FIG. 5 is a left side view thereof;  
FIG. 6 is a right side view thereof;  
FIG. 7 is a top plan view thereof; and,  
FIG. 8 is a bottom plan view thereof.  
The broken lines in the drawings illustrate portions of the projector which form no part of the claimed design.

**1 Claim, 8 Drawing Sheets**



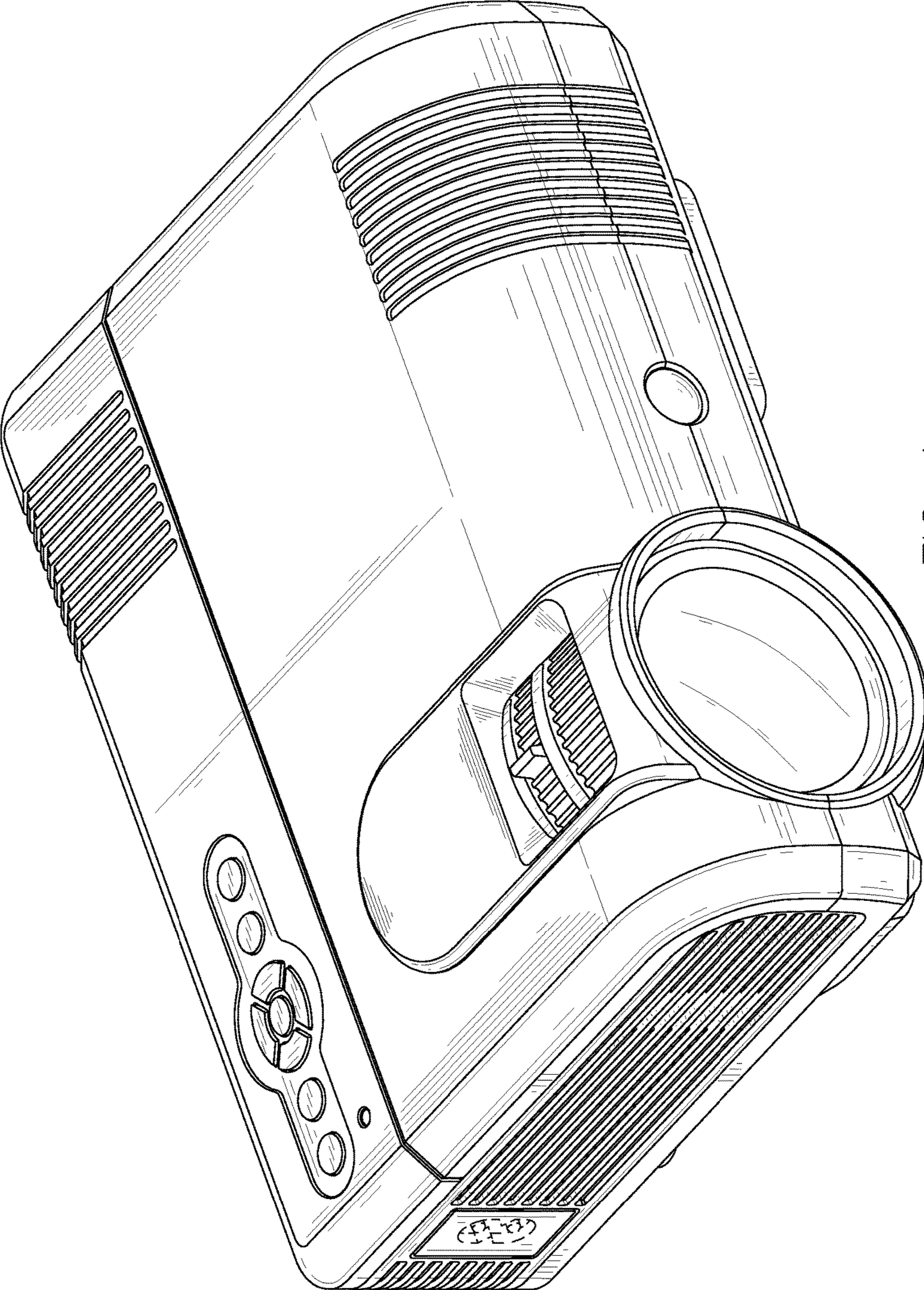


FIG. 1

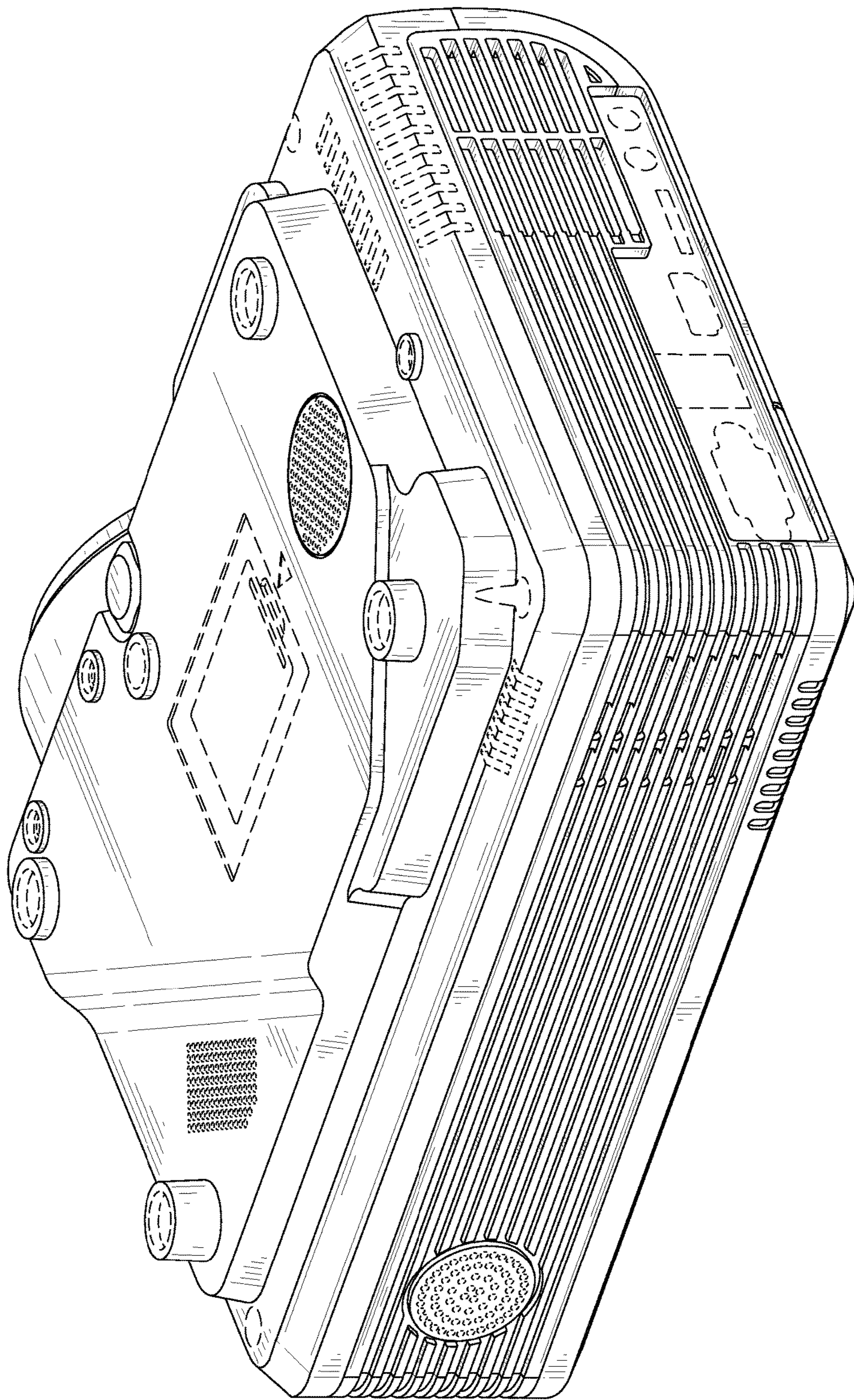


FIG. 2

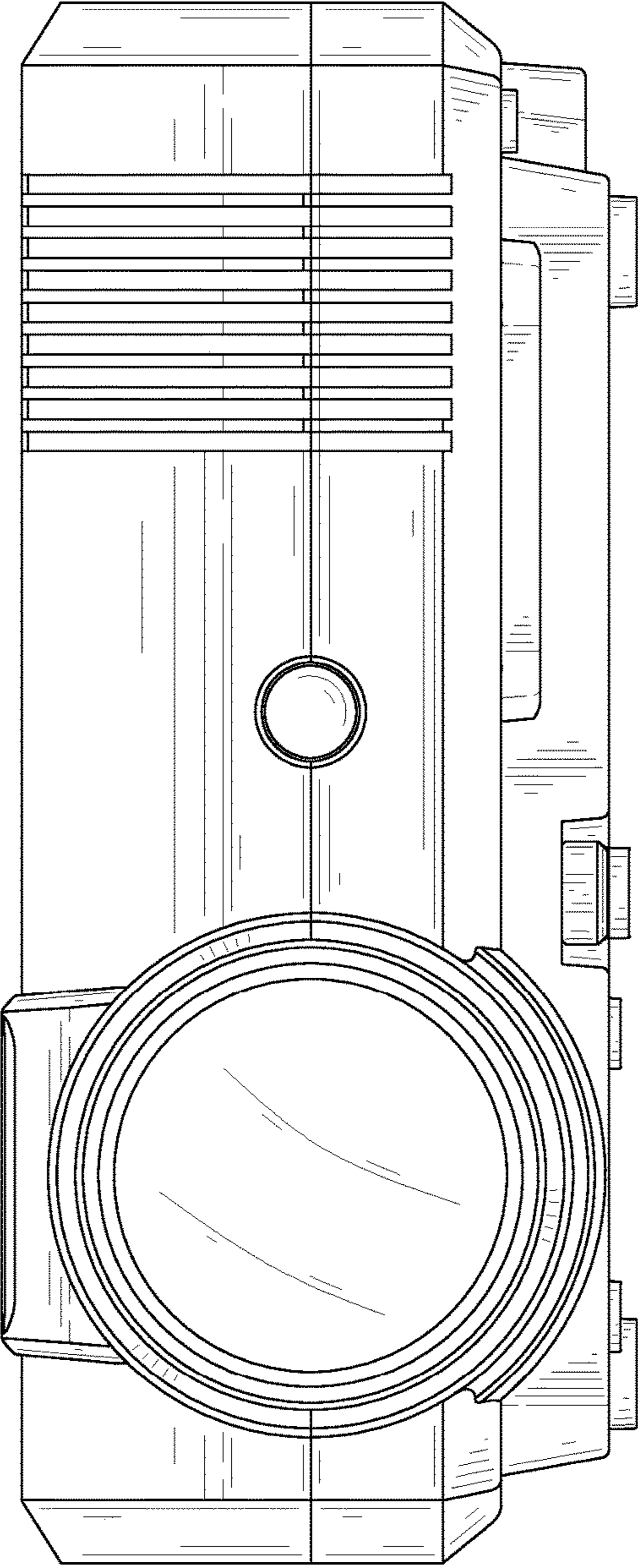


FIG. 3

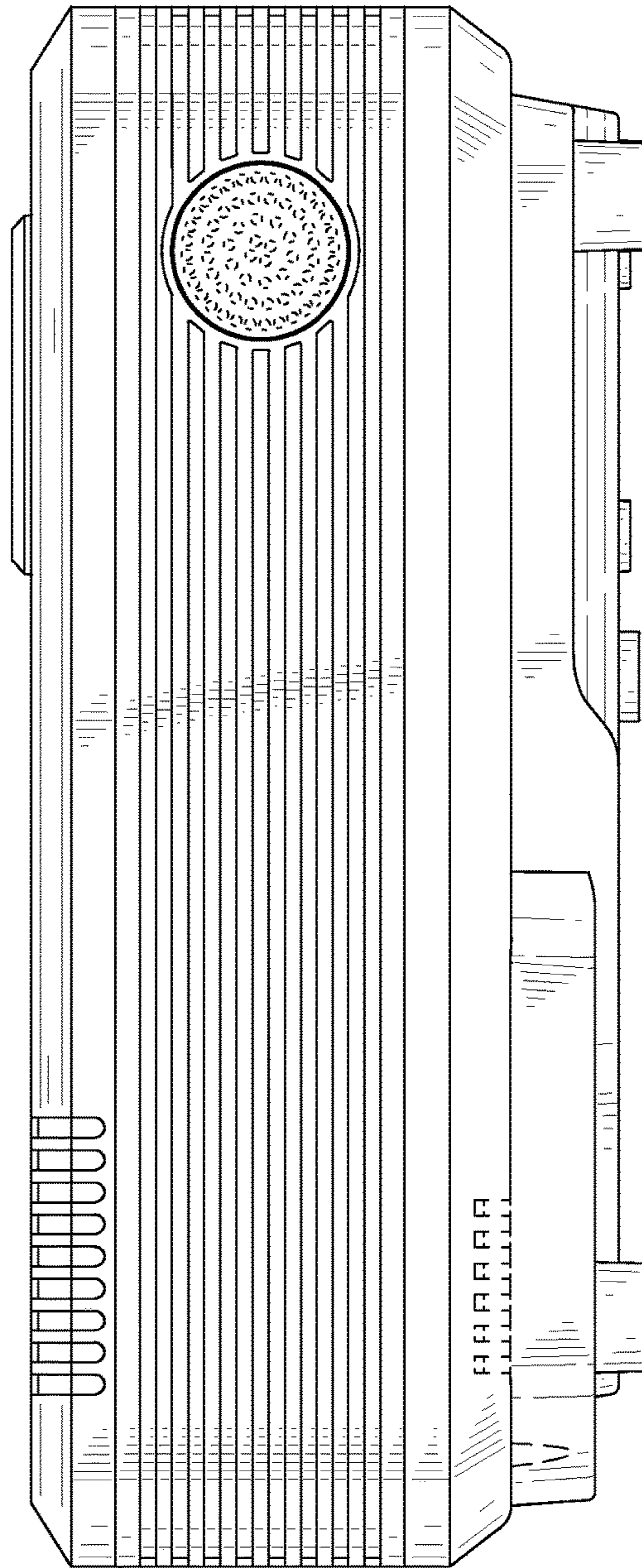


FIG. 4

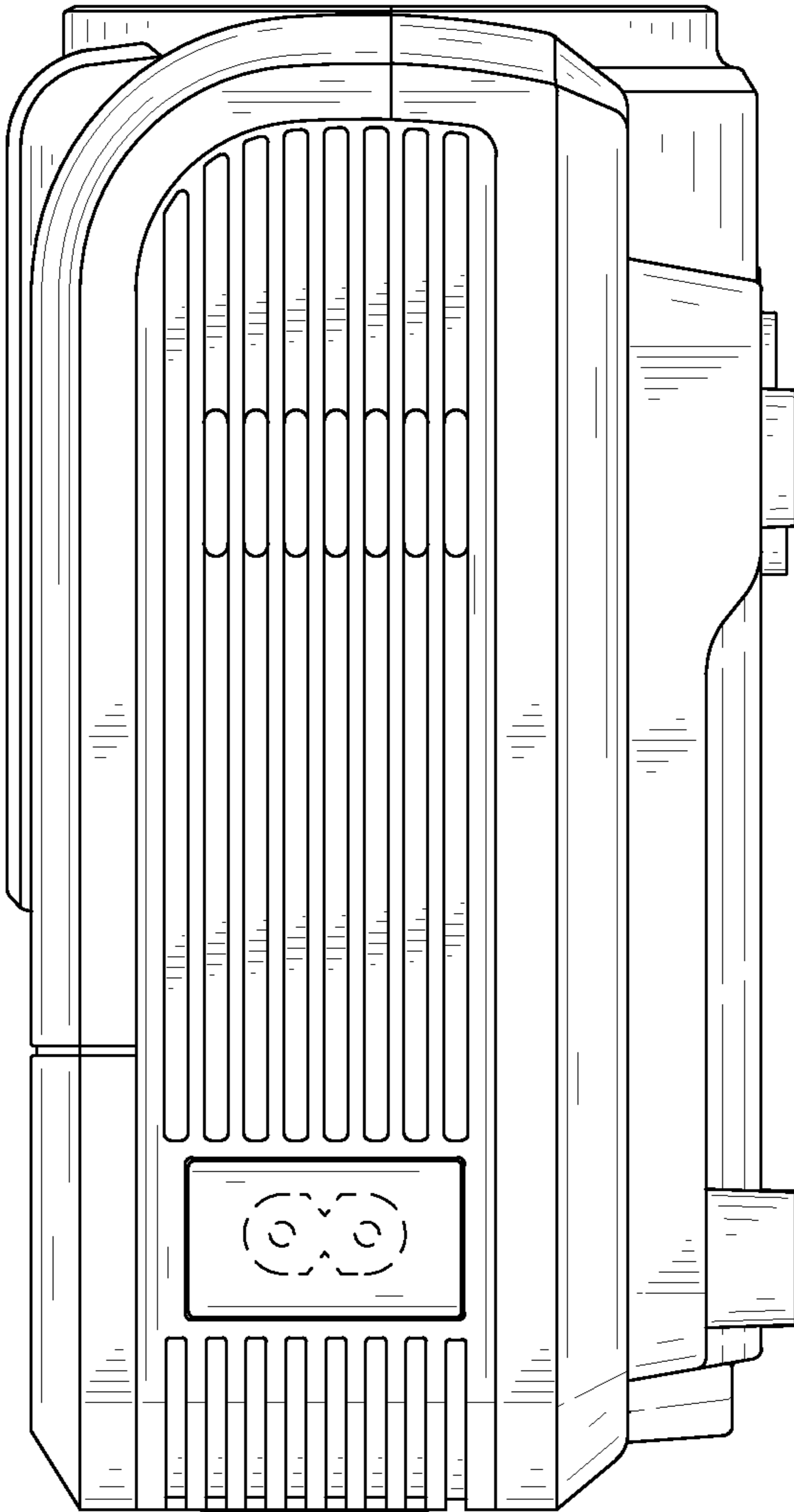


FIG. 5

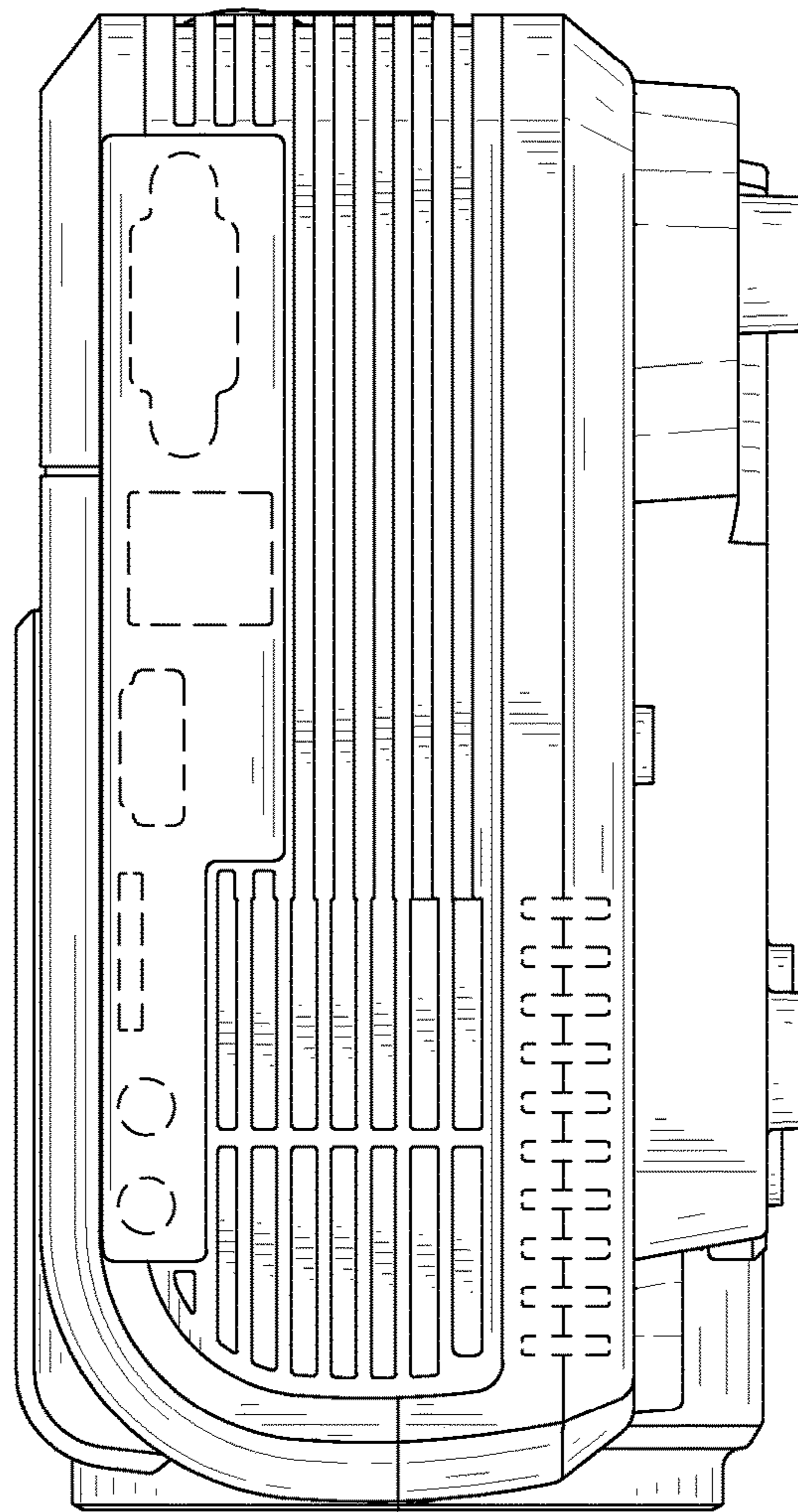


FIG. 6

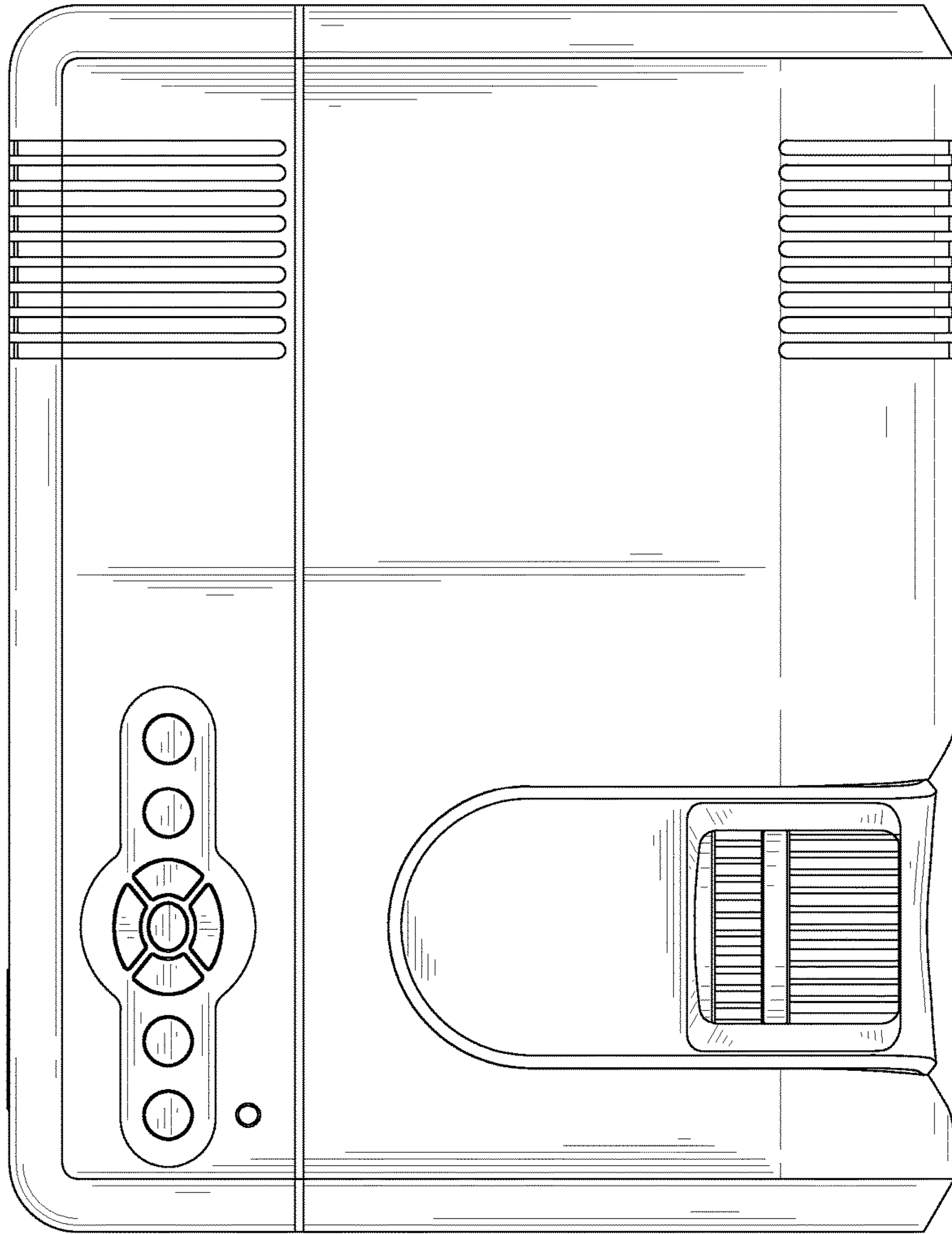


FIG. 7



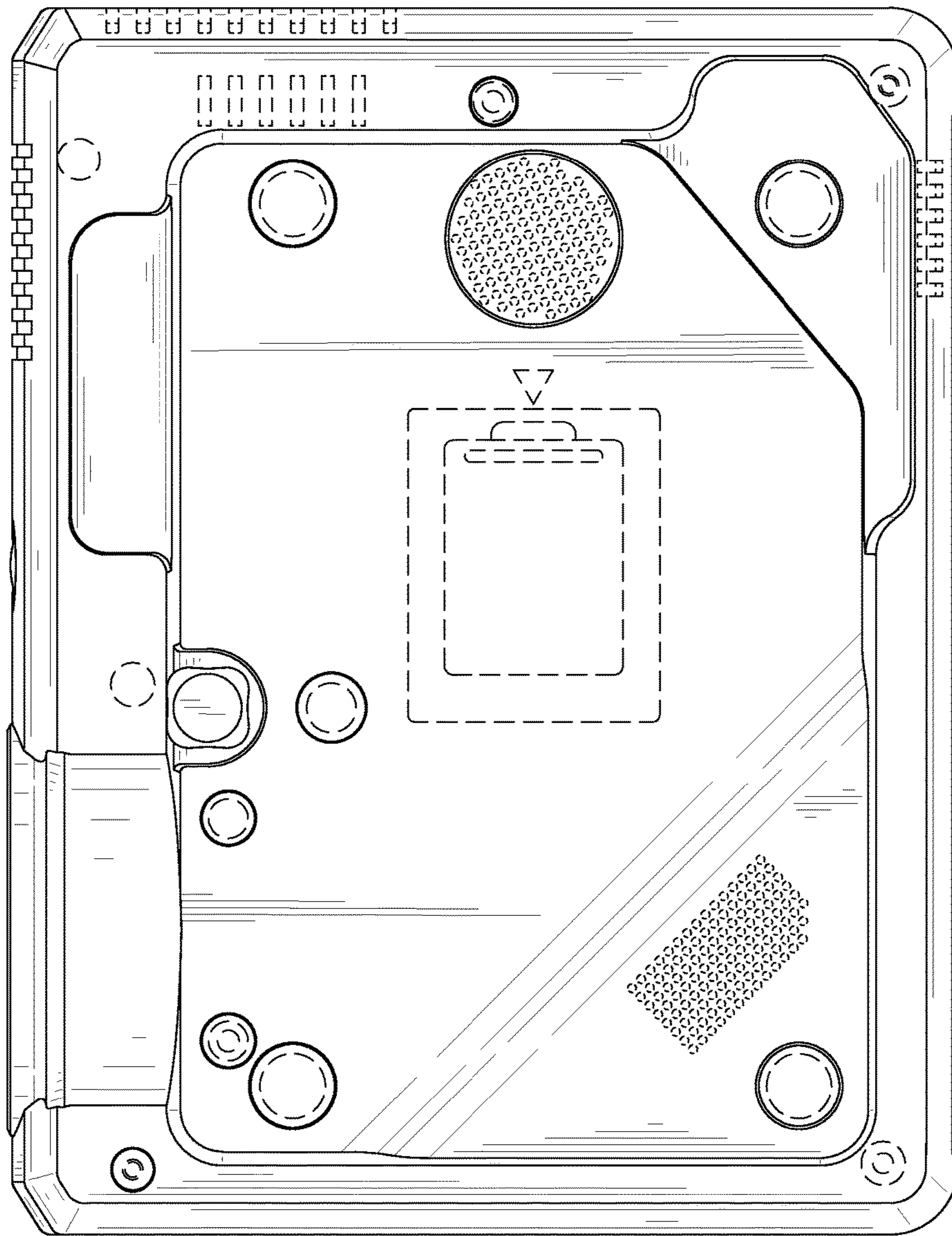


FIG. 8