



US00D865032S

(12) **United States Design Patent**
Katori

(10) **Patent No.:** **US D865,032 S**

(45) **Date of Patent:** **** Oct. 29, 2019**

(54) **SURVEILLANCE CAMERA**

(71) Applicant: **Panasonic Intellectual Property Management Co., Ltd., Osaka (JP)**

(72) Inventor: **Takehito Katori, Kanagawa (JP)**

(73) Assignee: **Panasonic Intellectual Property Management Co., Ltd., Osaka (JP)**

(**) Term: **15 Years**

(21) Appl. No.: **29/657,062**

(22) Filed: **Jul. 18, 2018**

(30) **Foreign Application Priority Data**

Feb. 14, 2018 (JP) 2018-002935

(51) **LOC (12) Cl.** **16-05**

(52) **U.S. Cl.**
USPC **D16/219**

(58) **Field of Classification Search**

USPC D16/200, 202-206, 218, 219, 242;
348/143, 148, 151, 373-376; 396/419,
396/427, 535, 539-541

CPC G03B 17/02; G03B 19/04; G03B 17/56;
G03B 17/04; G03B 15/03; H04N 5/2251;
H04N 5/2252; H04N 5/2253; H04N
5/2254; H04N 7/181; H04N 7/183; H04N
7/18; G08B 13/1963; G08B 13/19619;
G08B 13/19632; F16M 11/04; F16M
13/00

See application file for complete search history.

(56) **References Cited**

U.S. PATENT DOCUMENTS

D750,683 S 3/2016 Bergstrom et al.
D802,044 S * 11/2017 Wu D16/203

D815,173 S 4/2018 Hikima et al.
D817,378 S 5/2018 Persson et al.
D823,919 S * 7/2018 Persson D16/203
D829,259 S * 9/2018 Persson D16/203
D832,909 S * 11/2018 Portela D16/219
D839,338 S * 1/2019 Persson D16/203

FOREIGN PATENT DOCUMENTS

JP D1293069 2/2007
JP D1584682 8/2017

* cited by examiner

Primary Examiner — Ramzi S Almatrahi

(74) *Attorney, Agent, or Firm* — Panasonic IP Management; Kerry S. Culpepper

(57) **CLAIM**

I claim the ornamental design for a surveillance camera, as shown and described.

DESCRIPTION

FIG. 1 is a front perspective view of a surveillance camera of the present invention;

FIG. 2 is a rear perspective view thereof;

FIG. 3 is a front view thereof;

FIG. 4 is a rear view thereof;

FIG. 5 is a left side view thereof;

FIG. 6 is a right side view thereof;

FIG. 7 is a top view thereof; and,

FIG. 8 is a bottom view thereof.

The broken lines depict portions of the surveillance camera in which the design is embodied that form no part of the claimed design.

1 Claim, 8 Drawing Sheets

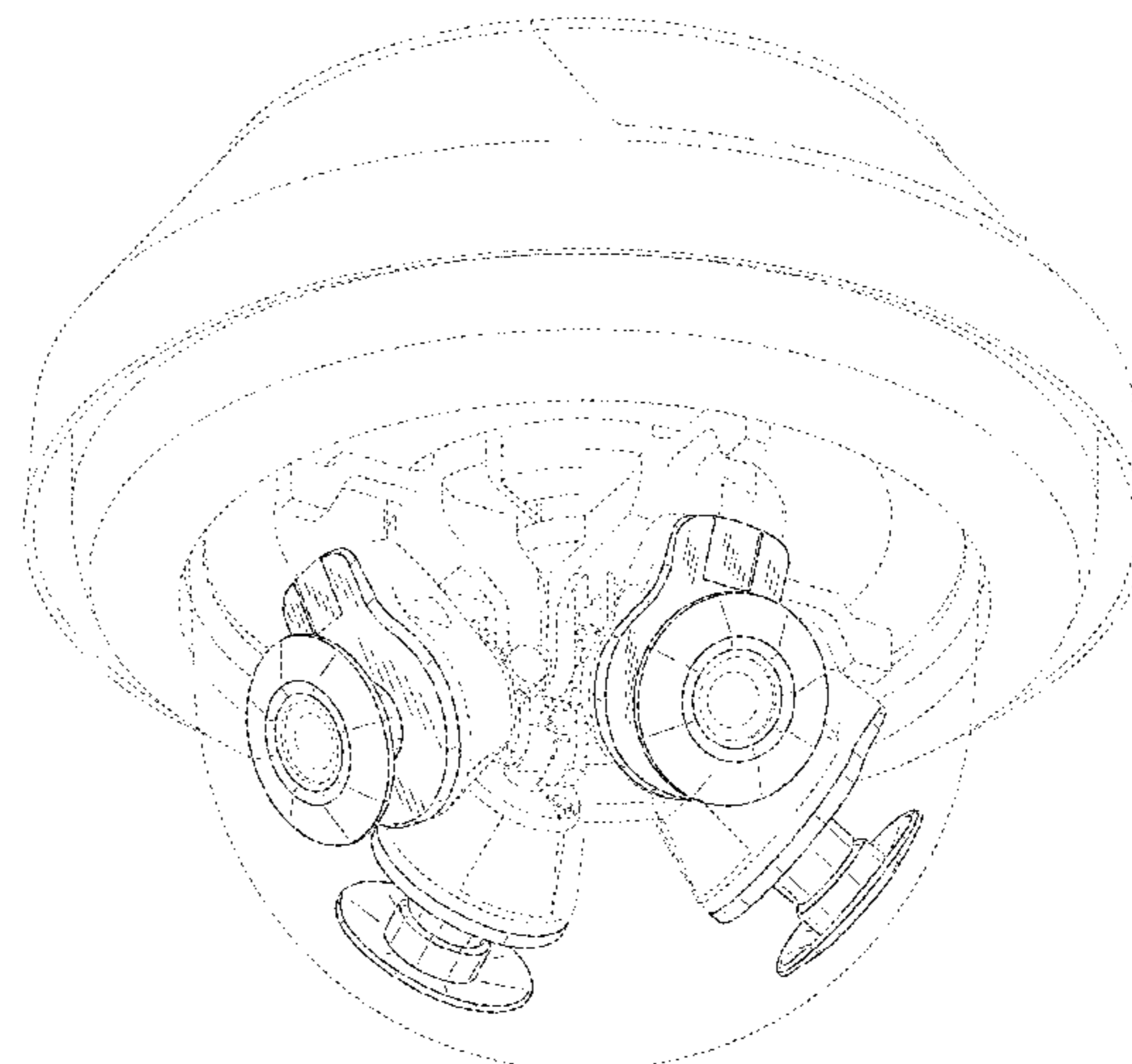
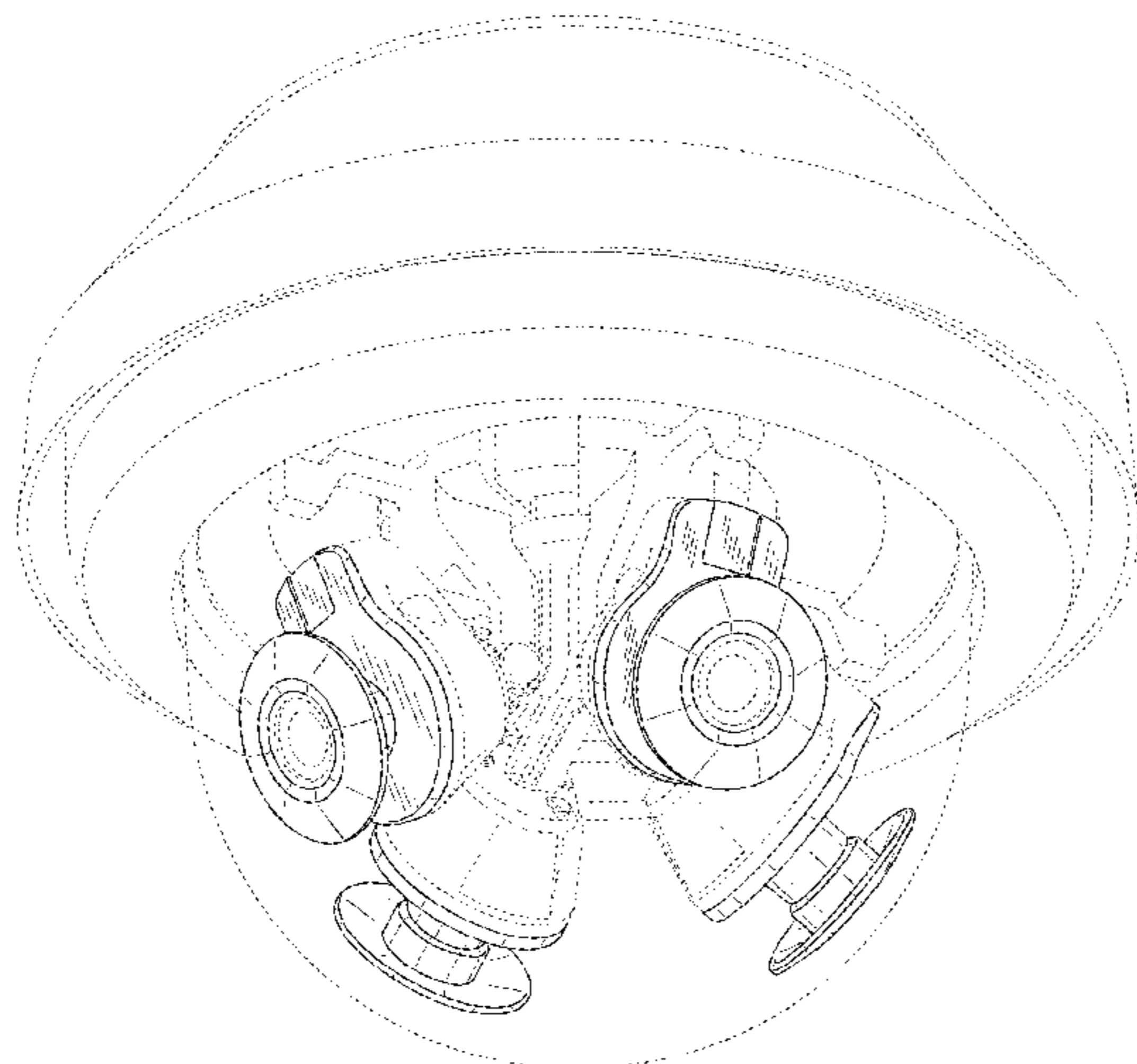


FIG. 1

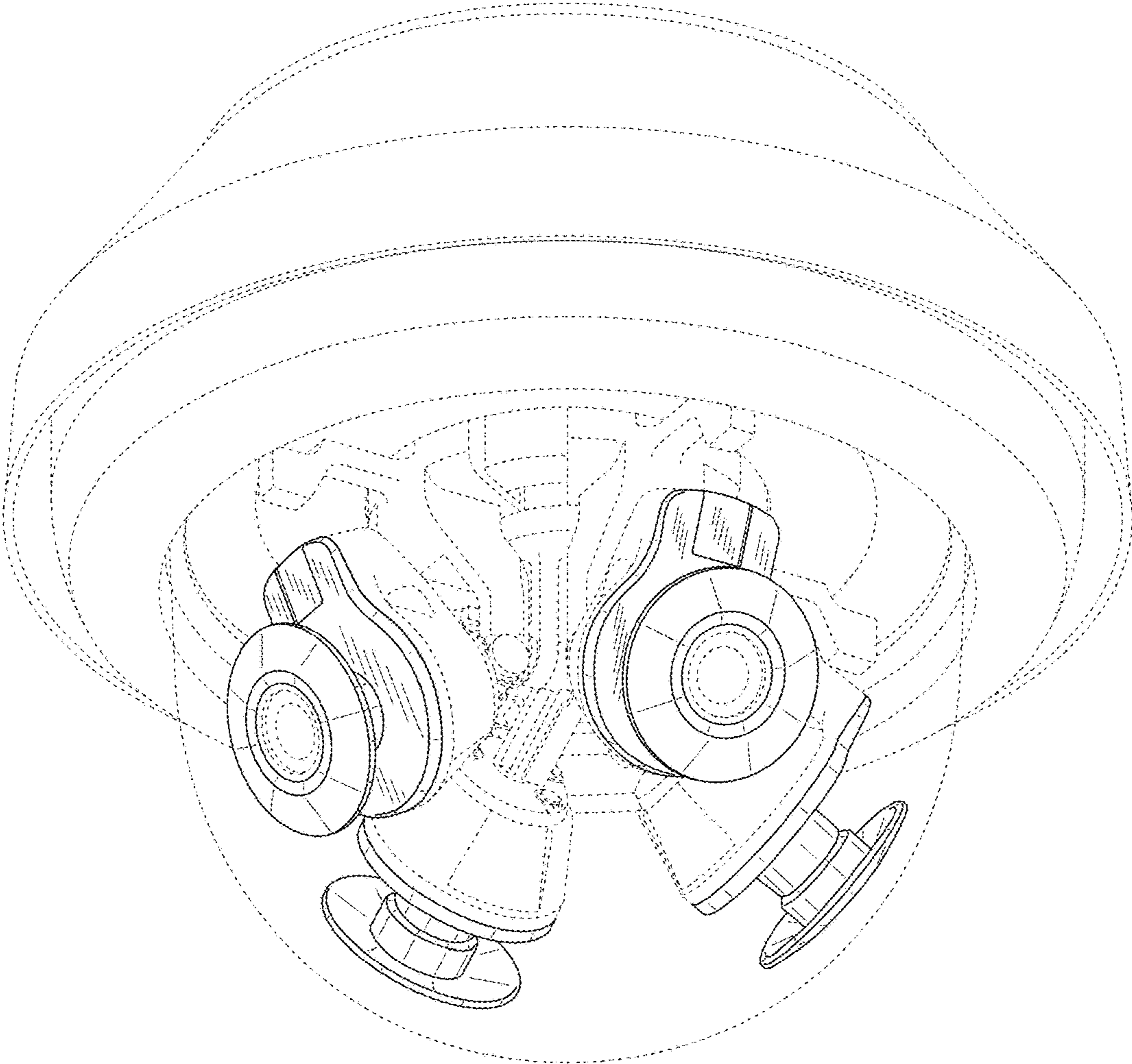


FIG. 2

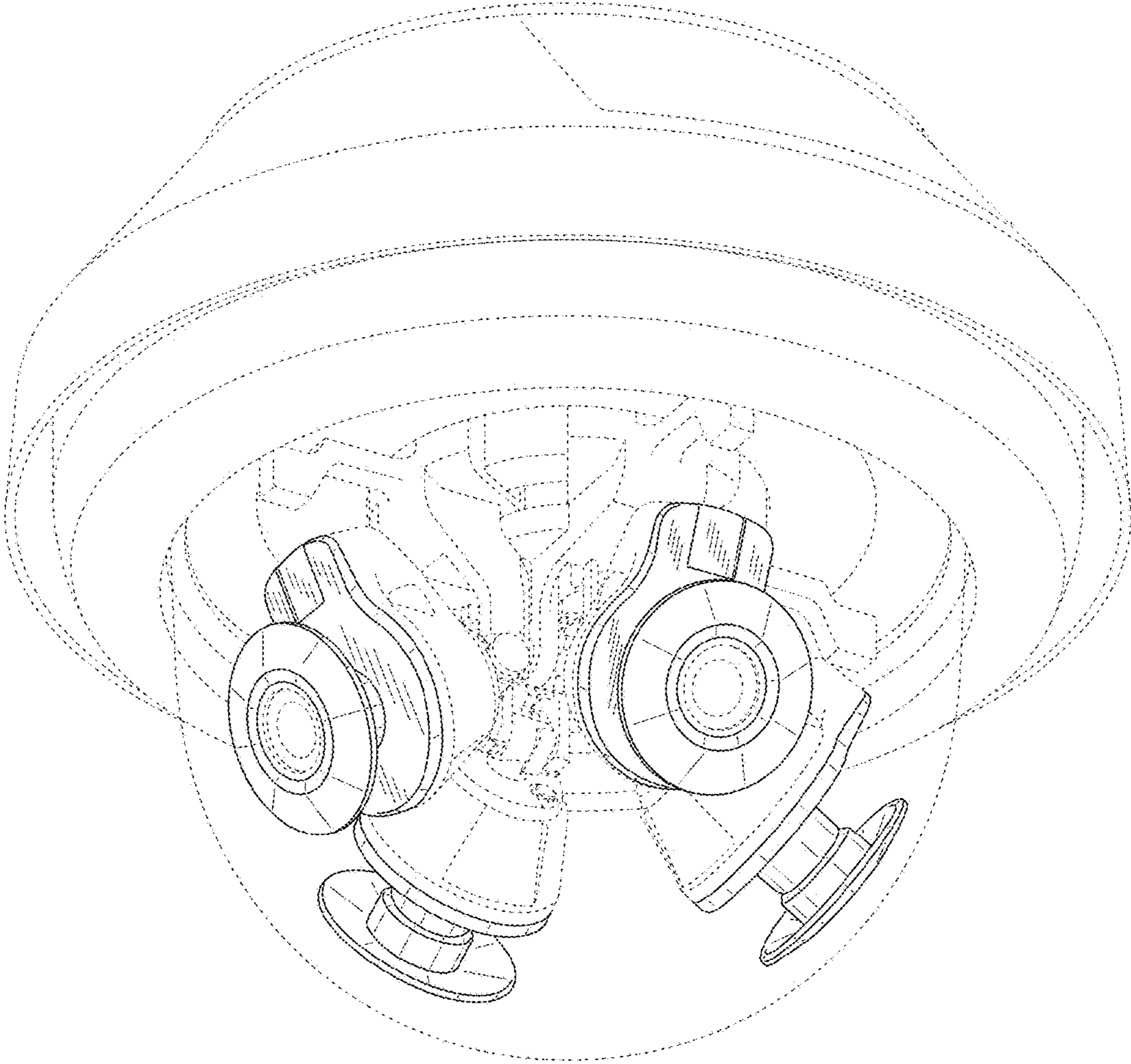


FIG. 3

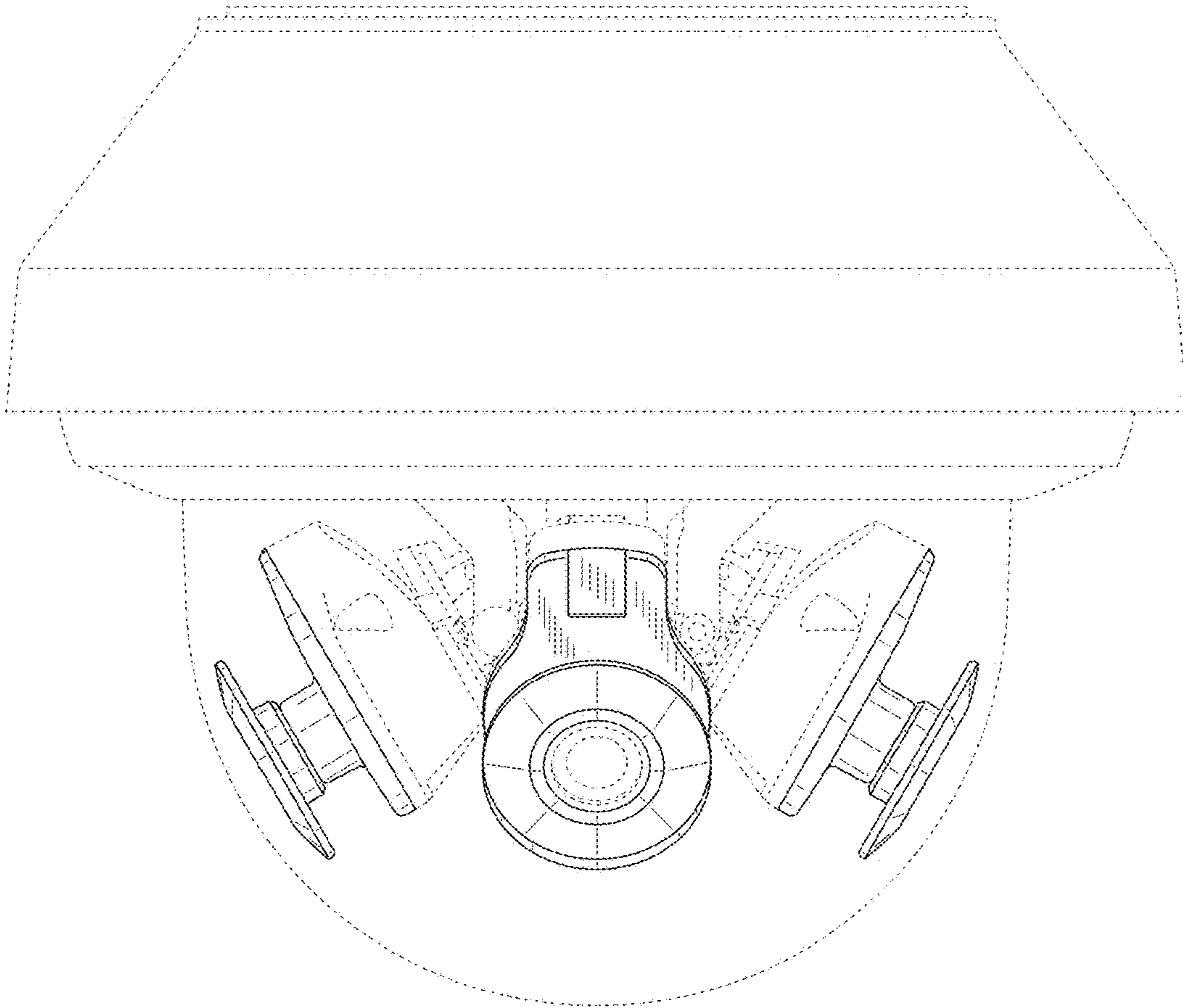


FIG. 4

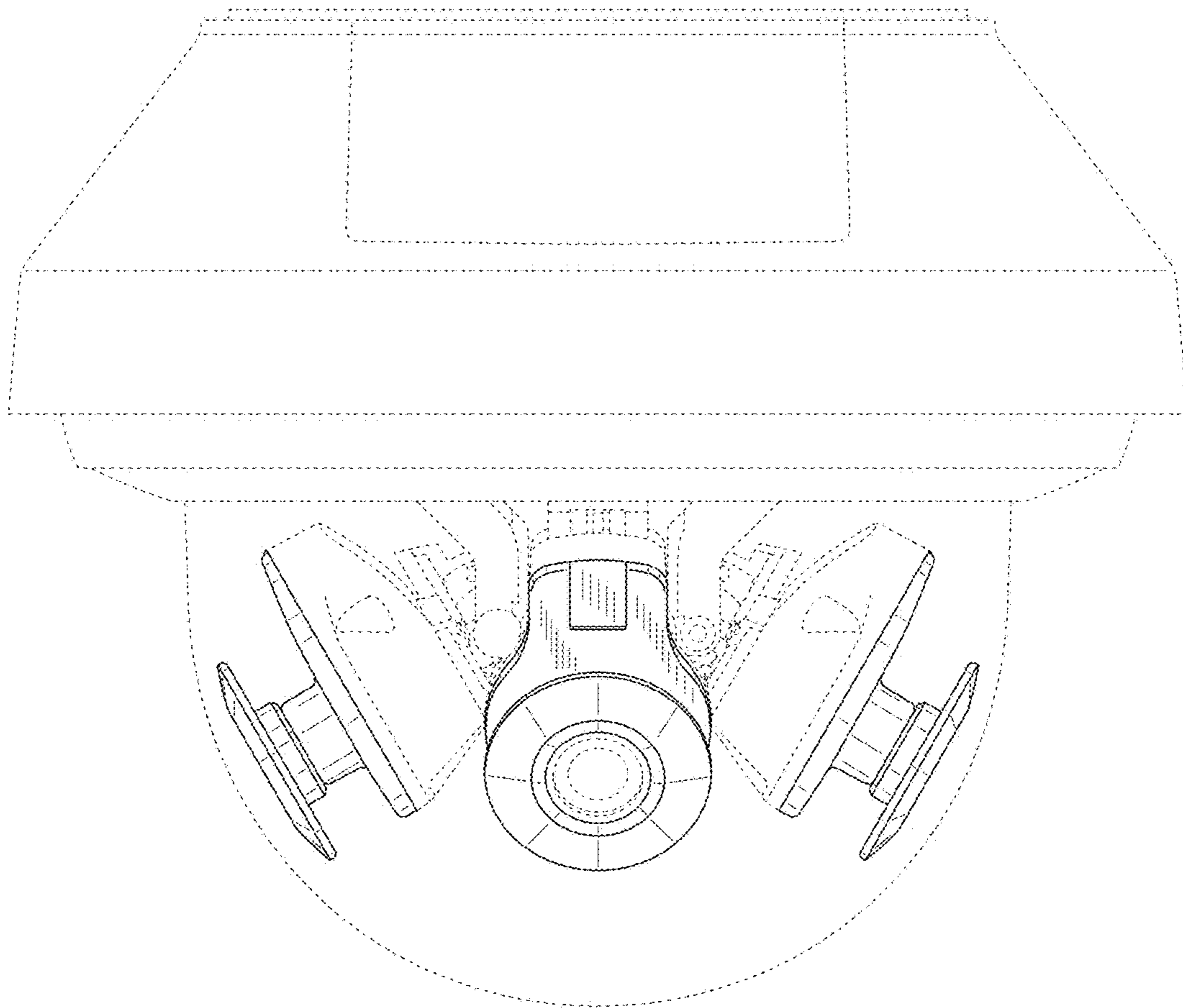


FIG. 5

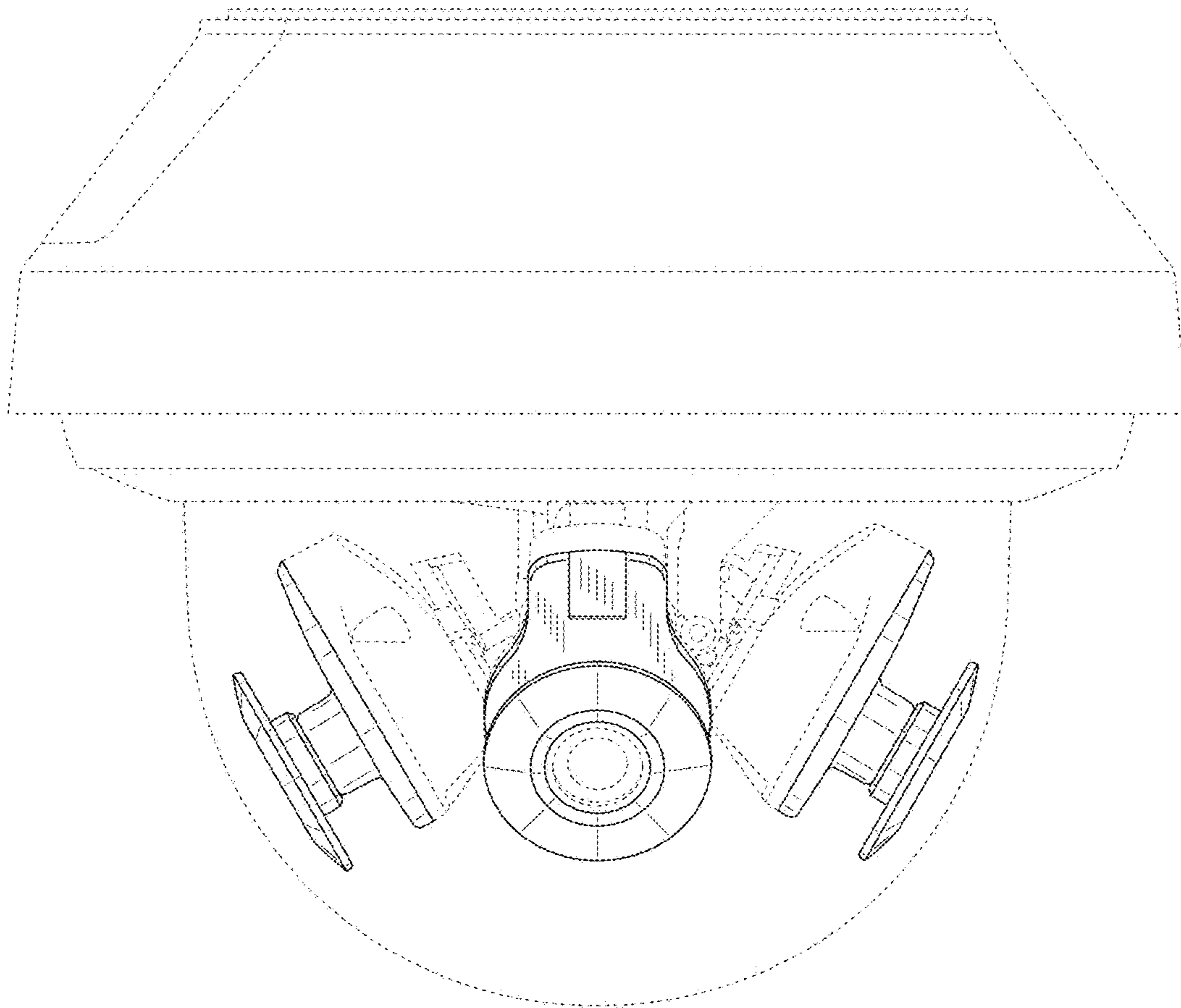


FIG. 6

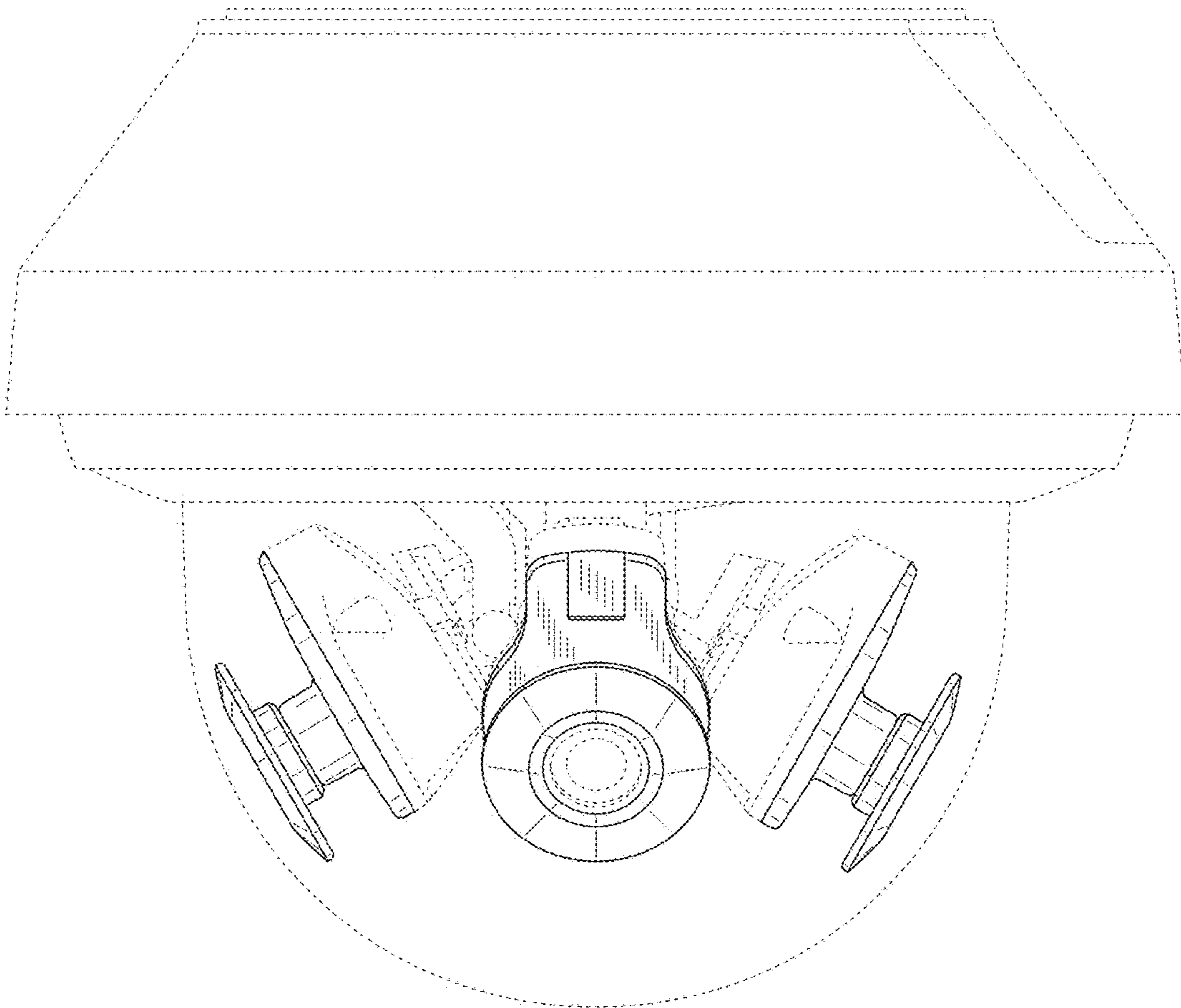


FIG. 7

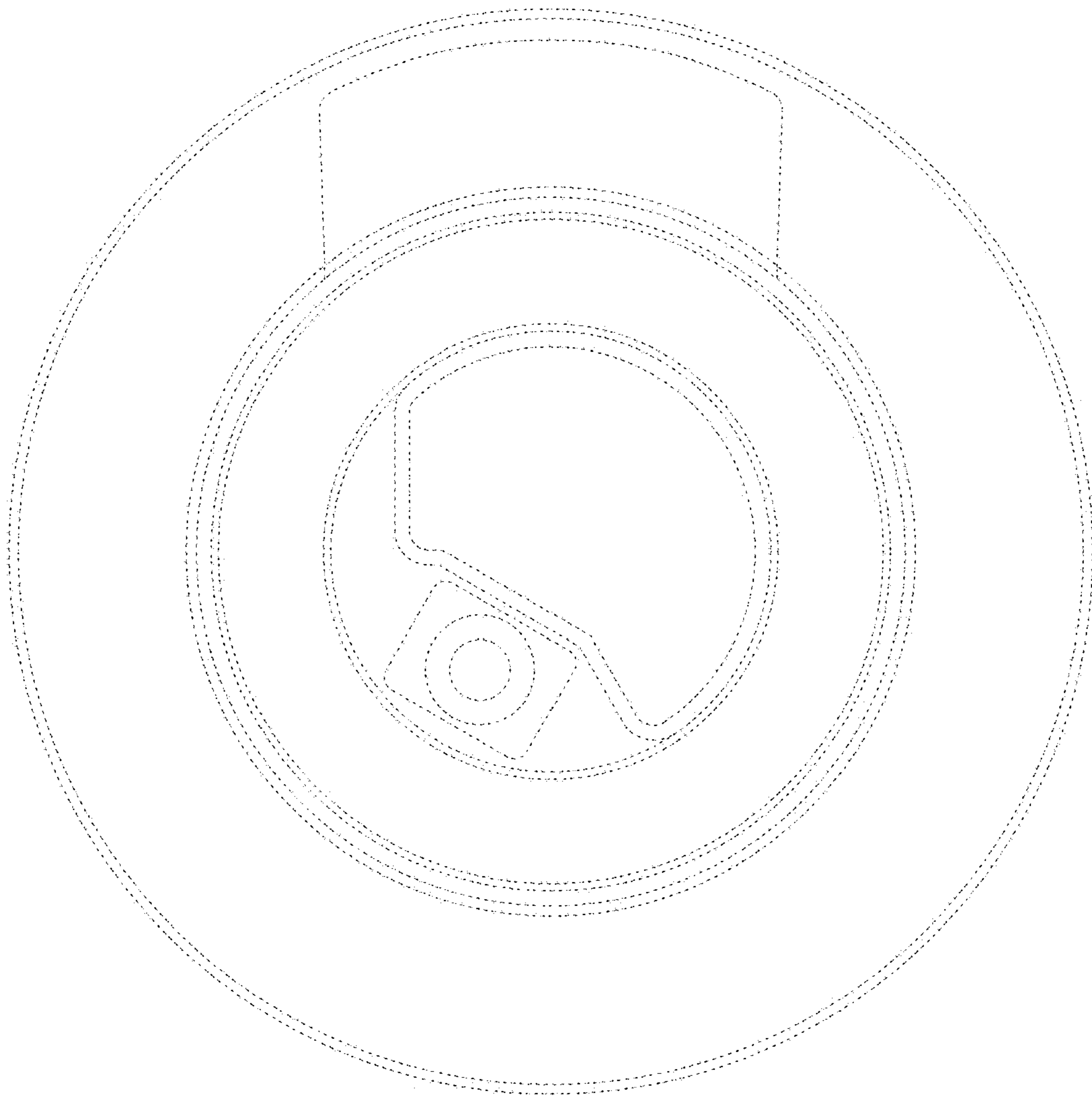


FIG. 8

