



US00D865030S

(12) **United States Design Patent** (10) **Patent No.:** **US D865,030 S**
Takagi (45) **Date of Patent:** **** Oct. 29, 2019**

(54) **CAMERA**
(71) Applicant: **Sony Corporation**, Tokyo (JP)
(72) Inventor: **Noriaki Takagi**, Kanagawa (JP)
(73) Assignee: **SONY CORPORATION**, Tokyo (JP)
(**) Term: **14 Years**
(21) Appl. No.: **29/525,137**
(22) Filed: **Apr. 27, 2015**

Related U.S. Application Data

(63) Continuation of application No. 29/435,722, filed on Oct. 26, 2012, now Pat. No. Des. 727,993, which is a continuation of application No. 29/371,147, filed on Oct. 29, 2010, now Pat. No. Des. 669,930, application No. 29/525,137, which is a continuation of application No. 29/470,895, filed on Oct. 25, 2013, now Pat. No. Des. 750,149, which is a continuation of application No. 29/421,668, filed on Aug. 31, 2012, now Pat. No. Des. 694,800, which is a continuation of application No. 29/371,171, filed on Nov. 10, 2010, now Pat. No. Des. 667,039, application No. 29/525,137, which is a continuation of application No. 29/455,190, filed on May 17, 2013, now Pat. No. Des. 810,809, which is a continuation of application No. 29/371,991, filed on Apr. 9, 2012, now abandoned, which is a continuation of application No. 29/371,171, and a continuation of application No. 29/371,609, filed on May 16, 2011, now Pat. No. Des. 657,409, application No. 29/525,137, which is a continuation of application No. 29/482,643, filed on Feb. 20, 2014, now Pat. No. Des. 749,163, which is a continuation of application No. 29/371,747, filed on Aug. 23, 2011, now Pat. No. Des. 701,552, which is a continuation-in-part of application No. 29/371,149, filed on Oct. 29, 2010, now Pat. No. Des. 648,363.

Apr. 9, 2010 (JP) D2010-009131
Apr. 9, 2010 (JP) D2010-009132
May 10, 2010 (JP) D2010-011351
May 10, 2010 (JP) D2010-011352
May 10, 2010 (JP) D2010-011353
May 10, 2010 (JP) D2010-011354
May 10, 2010 (JP) D2010-011359
May 10, 2010 (JP) D2010-011360
May 10, 2010 (JP) D2010-011363
May 10, 2010 (JP) D2010-011365
May 10, 2010 (JP) D2010-011366
May 10, 2010 (JP) D2010-011369
May 10, 2010 (JP) D2010-011370
May 10, 2010 (JP) D2010-011373
May 11, 2010 (JP) D2010-011375
May 11, 2010 (JP) D2010-011376
May 11, 2010 (JP) D2010-011415
May 11, 2010 (JP) D2010-011416
May 11, 2010 (JP) D2010-011523
May 11, 2010 (JP) D2010-011524
May 11, 2010 (JP) D2010-011525
Nov. 16, 2010 (JP) D2010-027587

(51) **LOC (12) CI.** **16-05**

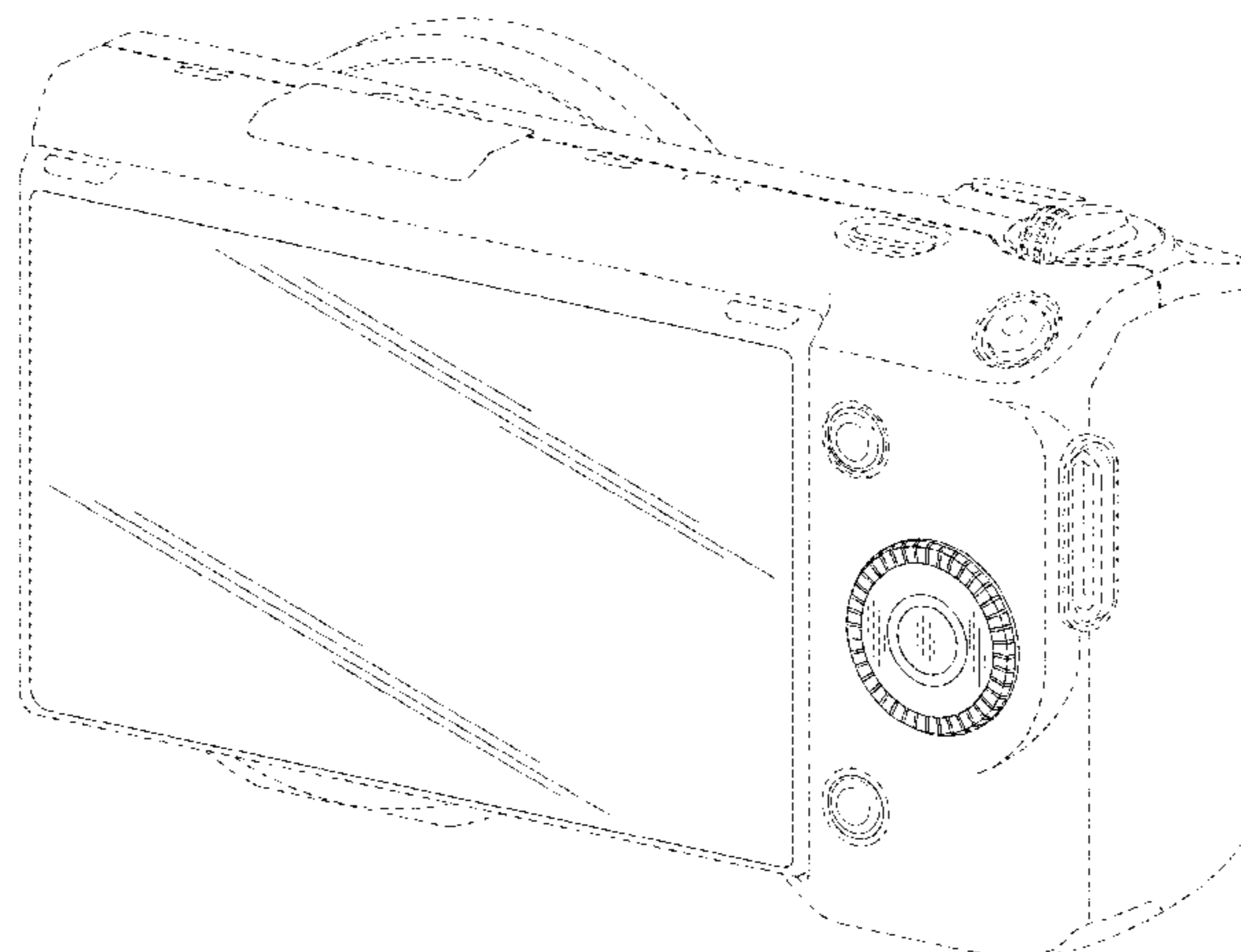
(52) **U.S. CI.**
USPC **D16/219**

(58) **Field of Classification Search**
USPC D16/200, 202-205, 208, 214, 218, 219;
348/14.01-14.06, 143, 148, 151,
348/373-376; 396/419, 427, 535,
396/539-541
CPC G03B 17/02; G03B 19/04; G03B 17/56;
G03B 17/04; G03B 15/03; H04N 5/2251;
H04N 5/2252; H04N 5/2253; H04N
5/2254; H04N 2007/145; H04N 7/141;
H04N 7/142; H04N 7/147; H04N 7/148;
H04N 7/15; H04N 7/152
See application file for complete search history.

(56) **References Cited**
U.S. PATENT DOCUMENTS

(30) **Foreign Application Priority Data**
Apr. 9, 2010 (JP) D2010-009129
Apr. 9, 2010 (JP) D2010-009130

2,545,447 A 3/1951 Clement
3,033,945 A 5/1962 Villchur
3,093,939 A 6/1963 Dalton



JP D1249523 S 8/2008
JP D1249524 S 8/2008
JP D1265541 S 2/2009
JP D1274348 S 5/2009

(57)

CLAIM

The ornamental design for a camera, as shown and described.

OTHER PUBLICATIONS

Web Page, “Degikame Watch”, http://dc.watch.impress.co.jp/docs/news/20110323_434596.html, 3 sheets, Impress Watch Corporation, Mar. 23, 2011.

Web Page, “Sony HandyCam”, http://sony.jp/handycam/products/NEX-VG20/feature_2.html#L1_70, 5 sheet, Sony Corporation.

* cited by examiner

Primary Examiner — Ramzi S Almatrahi
(74) *Attorney, Agent, or Firm* — Michael Best and Friedrich LLP

DESCRIPTION

FIG. 1 is a perspective view of a camera showing my new design;

FIG. 2 is a rear elevational view thereof;

FIG. 3 is a left side elevational view thereof.

FIG. 4 is a right side elevational view thereof;

FIG. 5 is a top plan view thereof; and,

FIG. 6 is a bottom plan view thereof.

The broken lines depict portions of the camera in which the design is embodied that form no part of the claimed design.

1 Claim, 4 Drawing Sheets

FIG. 1

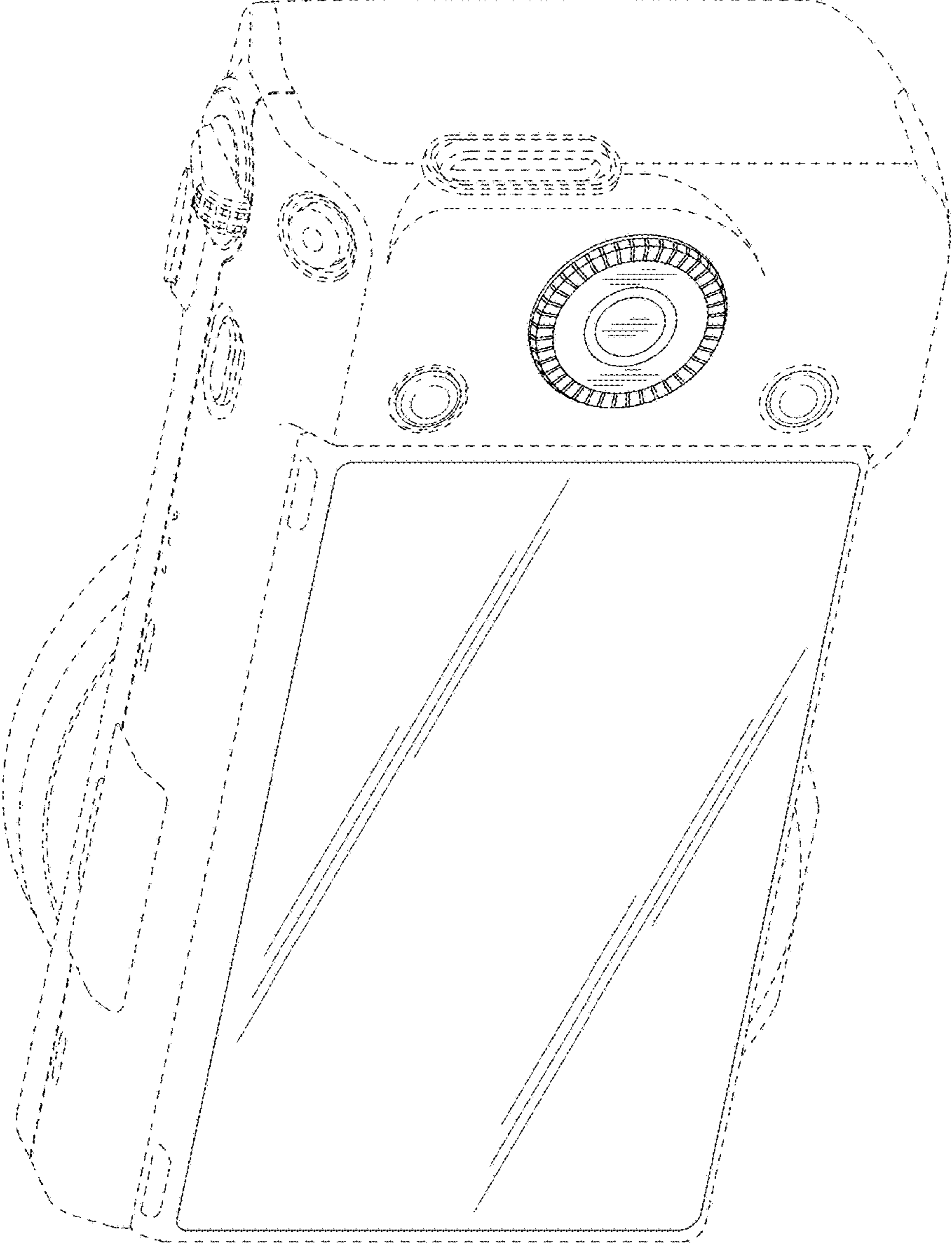


FIG. 2

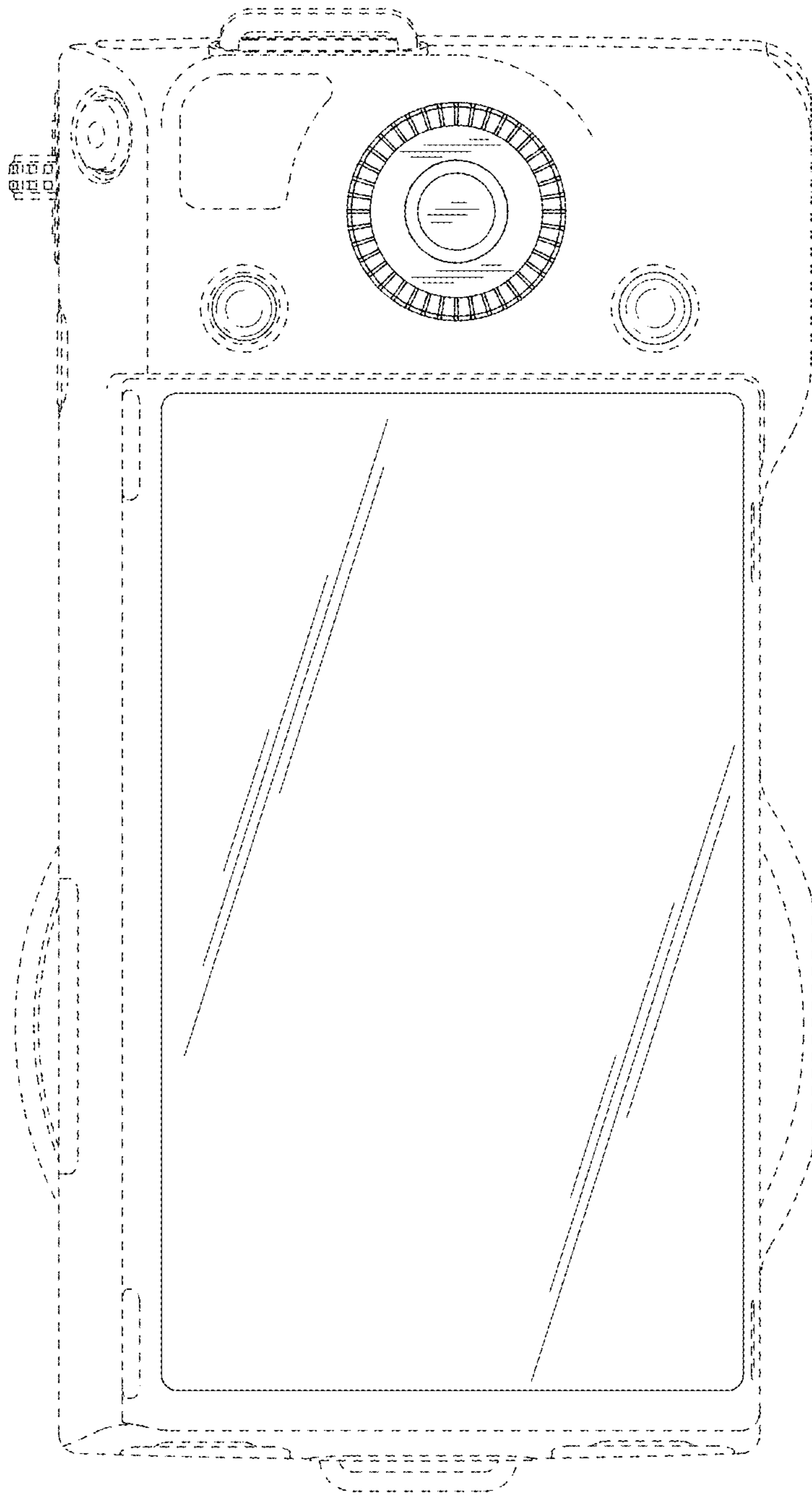


FIG. 4

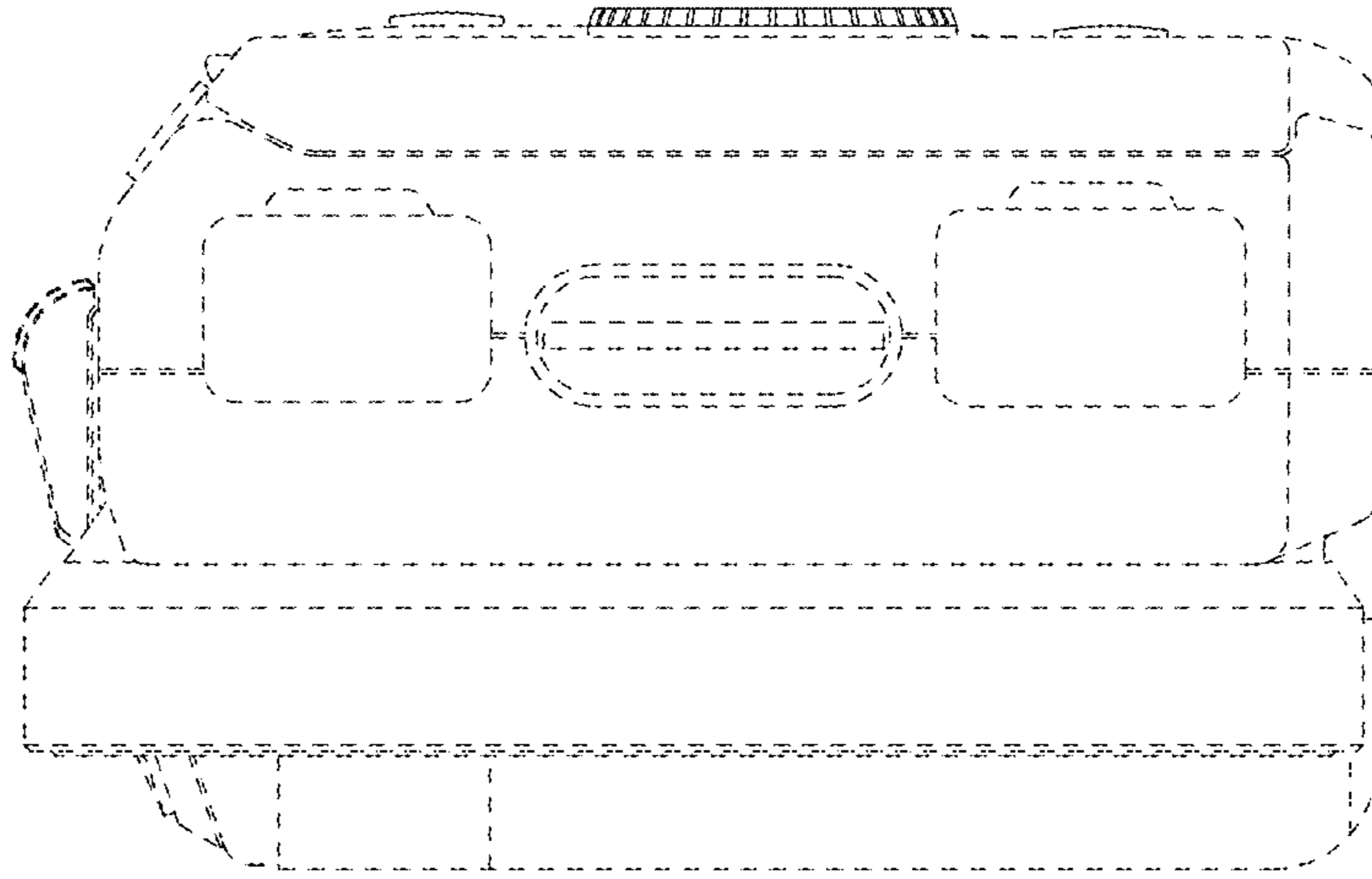
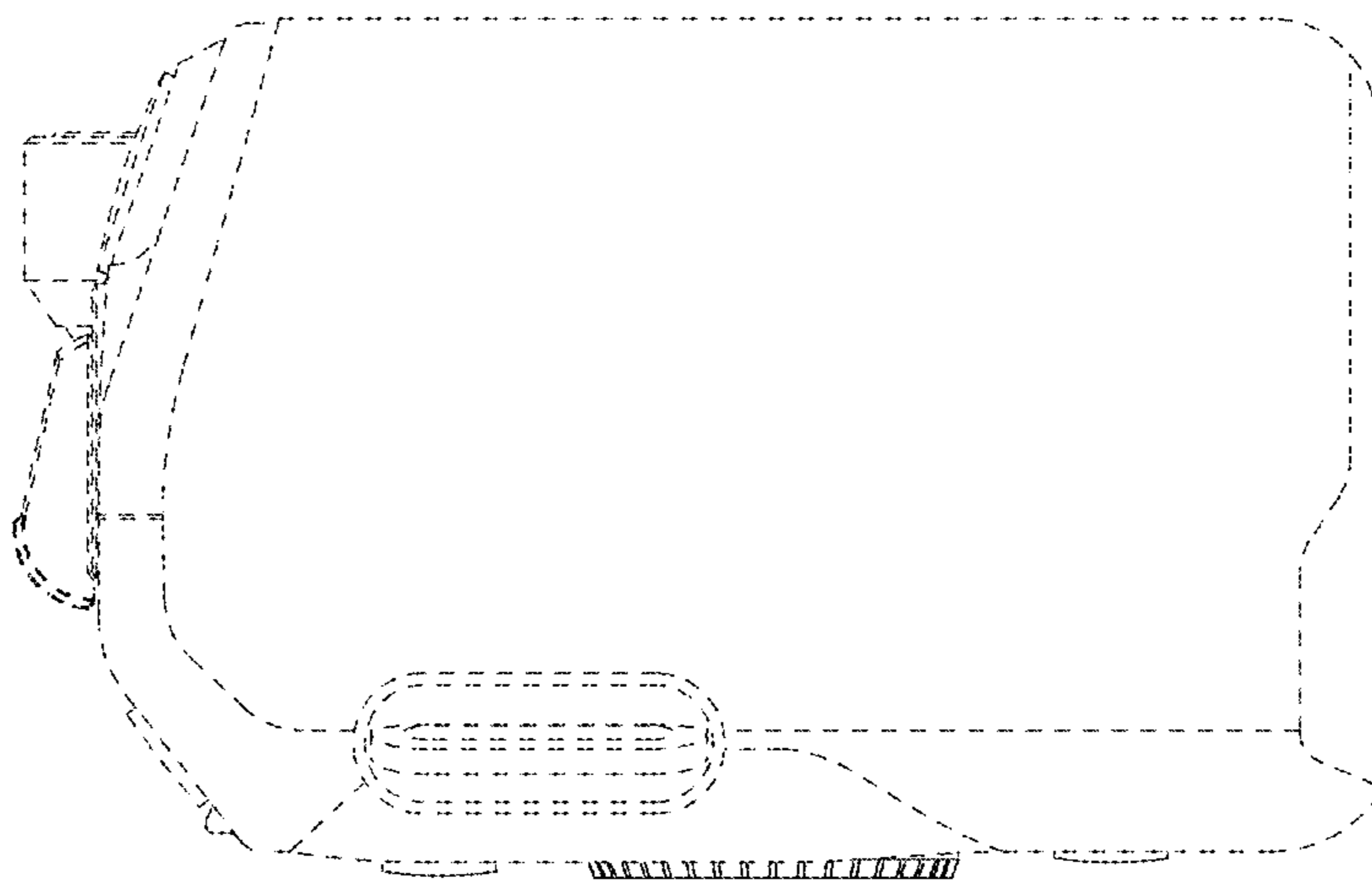


FIG. 3



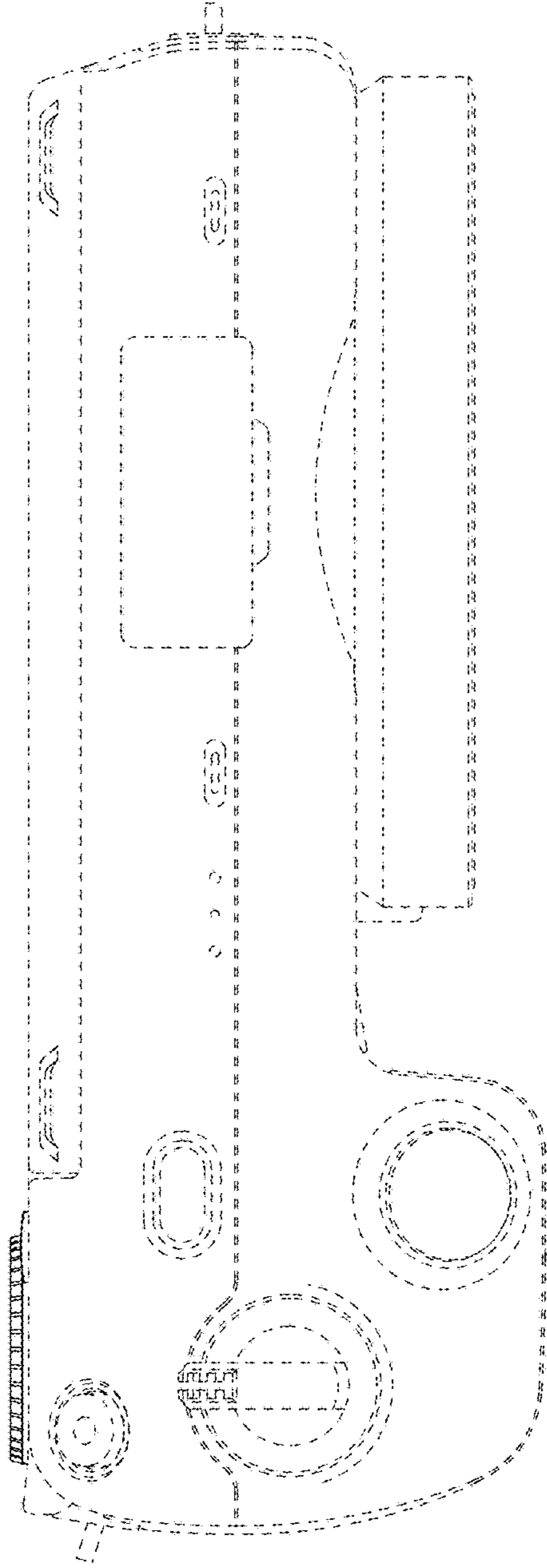


FIG. 5

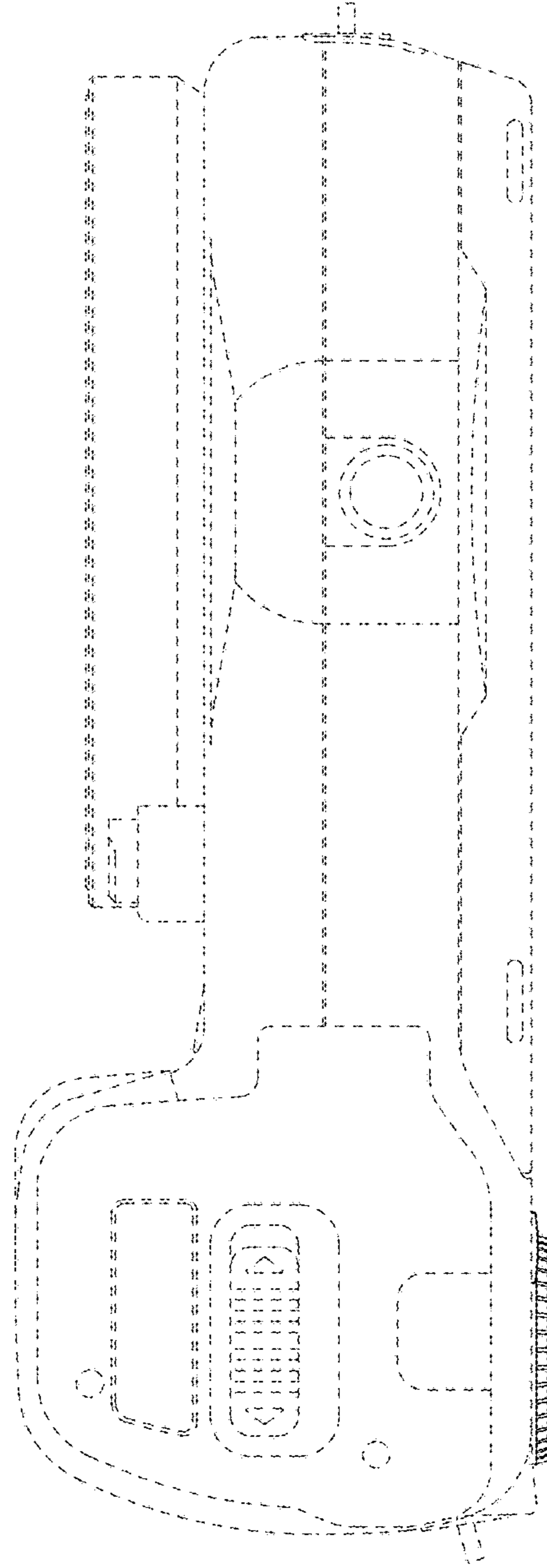


FIG. 6