



US00D865029S

(12) **United States Design Patent**
Fook

(10) **Patent No.:** **US D865,029 S**

(45) **Date of Patent:** **** Oct. 29, 2019**

(54) **DEPTH CAMERA**

(71) Applicant: **Guangdong Kang Yun Technologies Limited**, Guangzhou Huangpu District (CN)

(72) Inventor: **Lee Seng Fook**, Singapore (SG)

(**) Term: **15 Years**

(21) Appl. No.: **29/625,893**

(22) Filed: **Nov. 14, 2017**

(51) **LOC (12) Cl.** **16-01**

(52) **U.S. Cl.**
USPC **D16/218**

(58) **Field of Classification Search**
USPC D16/200, 202–203, 208, 218, 219, 242;
248/187.1; 348/14.01–14.6, 143, 148,
348/151, 373–376; 396/419, 427, 428,
396/535, 539–541
CPC G03B 17/02; G03B 19/04; G03B 17/56;
G03B 17/04; G03B 15/03; H04N
2101/00; H04N 2007/145; H04N 7/141;
H04N 7/142; H04N 7/147; H04N 7/148;
H04N 7/15; H04N 7/152
See application file for complete search history.

(56) **References Cited**

U.S. PATENT DOCUMENTS

D441,000 S * 4/2001 Vanderwilt D16/202
D550,266 S * 9/2007 Lau D16/202
7,500,794 B1 * 3/2009 Clark G03B 17/00
348/143

D600,730 S * 9/2009 Su D16/202
D629,031 S * 12/2010 Su D16/202
D631,497 S * 1/2011 Han D16/202
D641,388 S * 7/2011 Shih D16/202
D674,430 S * 1/2013 Inoue D16/218
D680,569 S * 4/2013 Lee D16/202
D775,679 S * 1/2017 Klein D16/202
D800,201 S * 10/2017 Song D16/202
2012/0236195 A1 * 9/2012 Chang G06F 1/1686
348/333.06
2013/0010053 A1 * 1/2013 Daddi A47C 31/00
348/14.08

* cited by examiner

Primary Examiner — Ramzi S Almatrahi

(74) *Attorney, Agent, or Firm* — Muncy, Geissler, Olds & Lowe, P.C.

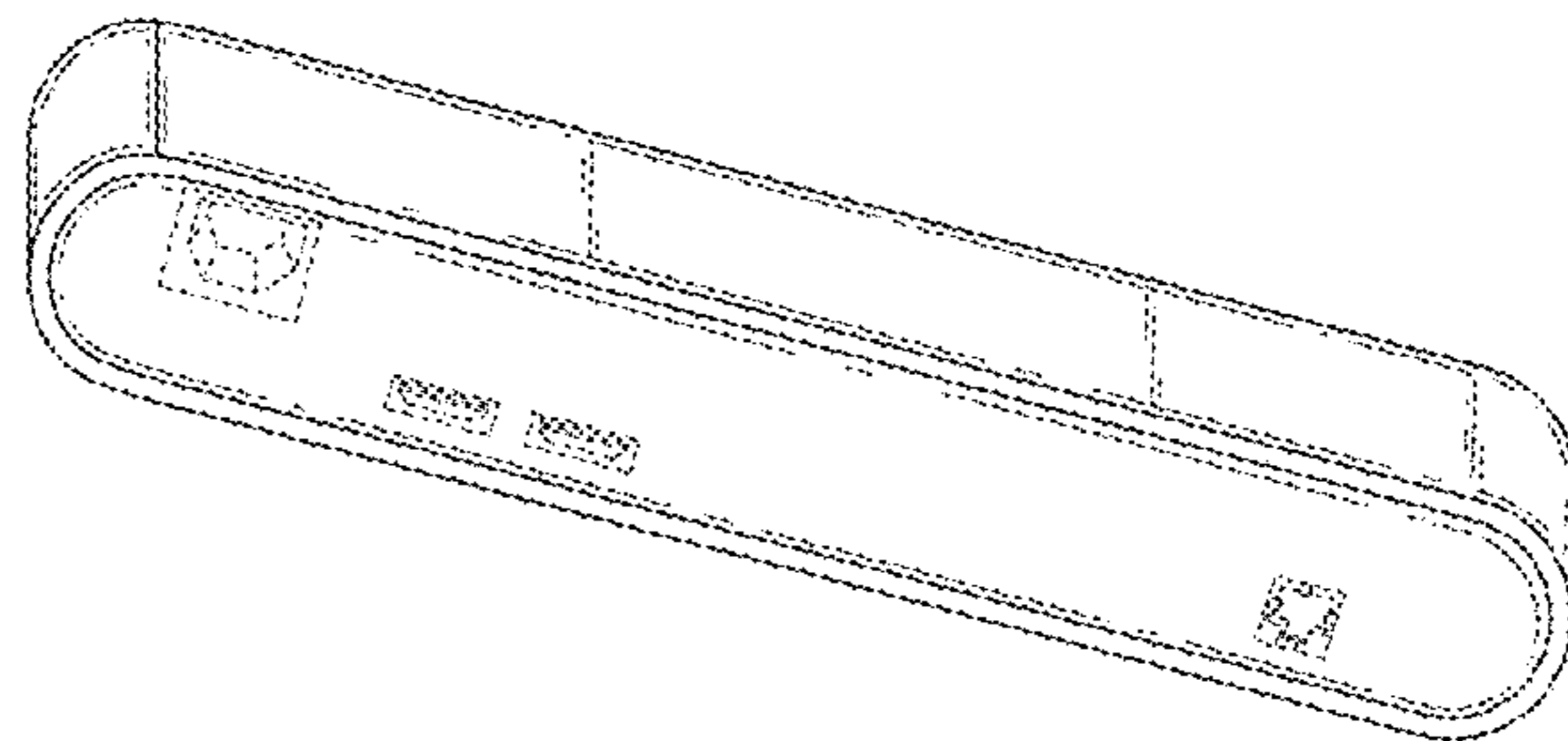
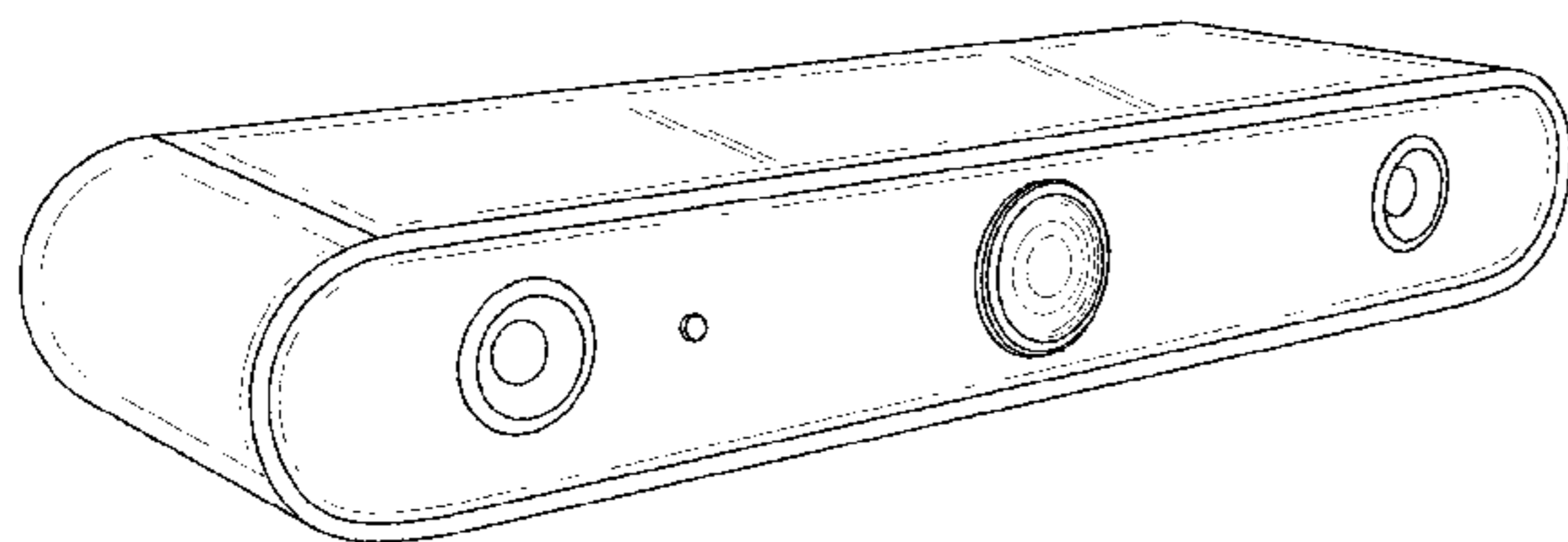
(57) **CLAIM**

I claim the ornamental design for a depth camera, as shown and described.

DESCRIPTION

FIG. 1 is a front perspective view of a depth camera showing my new design;
FIG. 2 is a rear perspective view thereof;
FIG. 3 is a front elevation view thereof;
FIG. 4 is a rear elevation view thereof;
FIG. 5 is a top plan view thereof;
FIG. 6 is a bottom plan view thereof;
FIG. 7 is a right side elevation view thereof; and,
FIG. 8 is a left side elevation view thereof.
The broken lines depict portions of the depth camera in which the design is embodied that form no part of the claimed design.

1 Claim, 5 Drawing Sheets



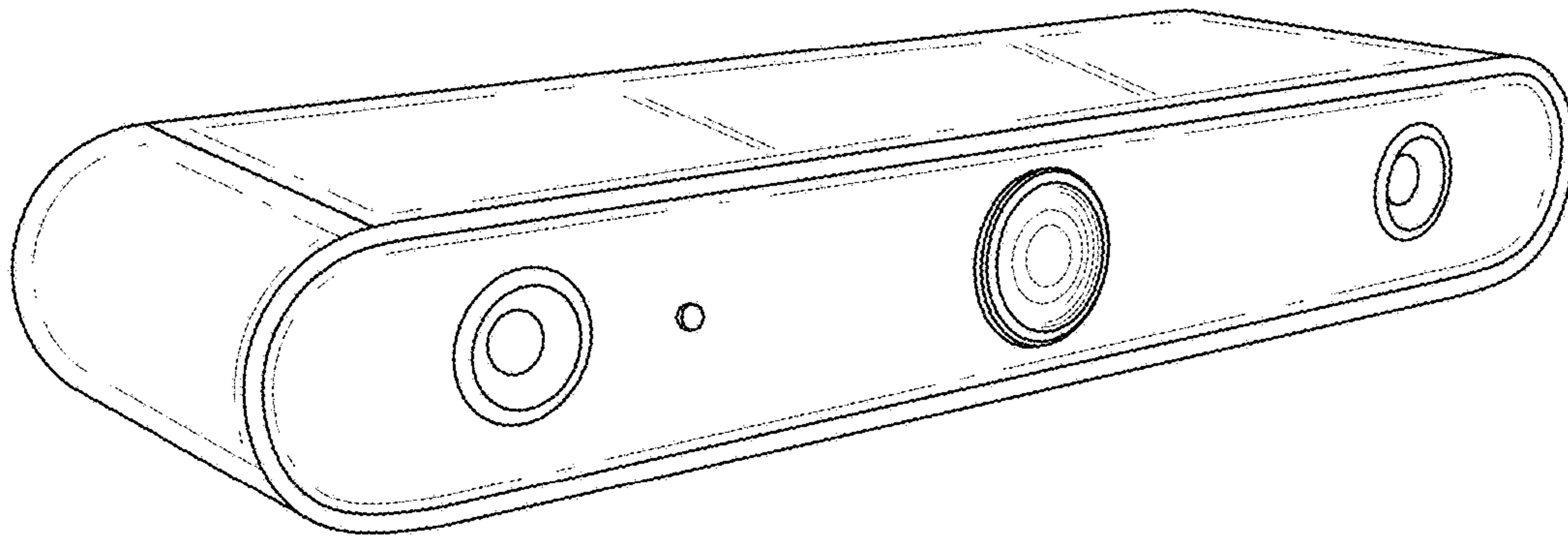


FIG. 1

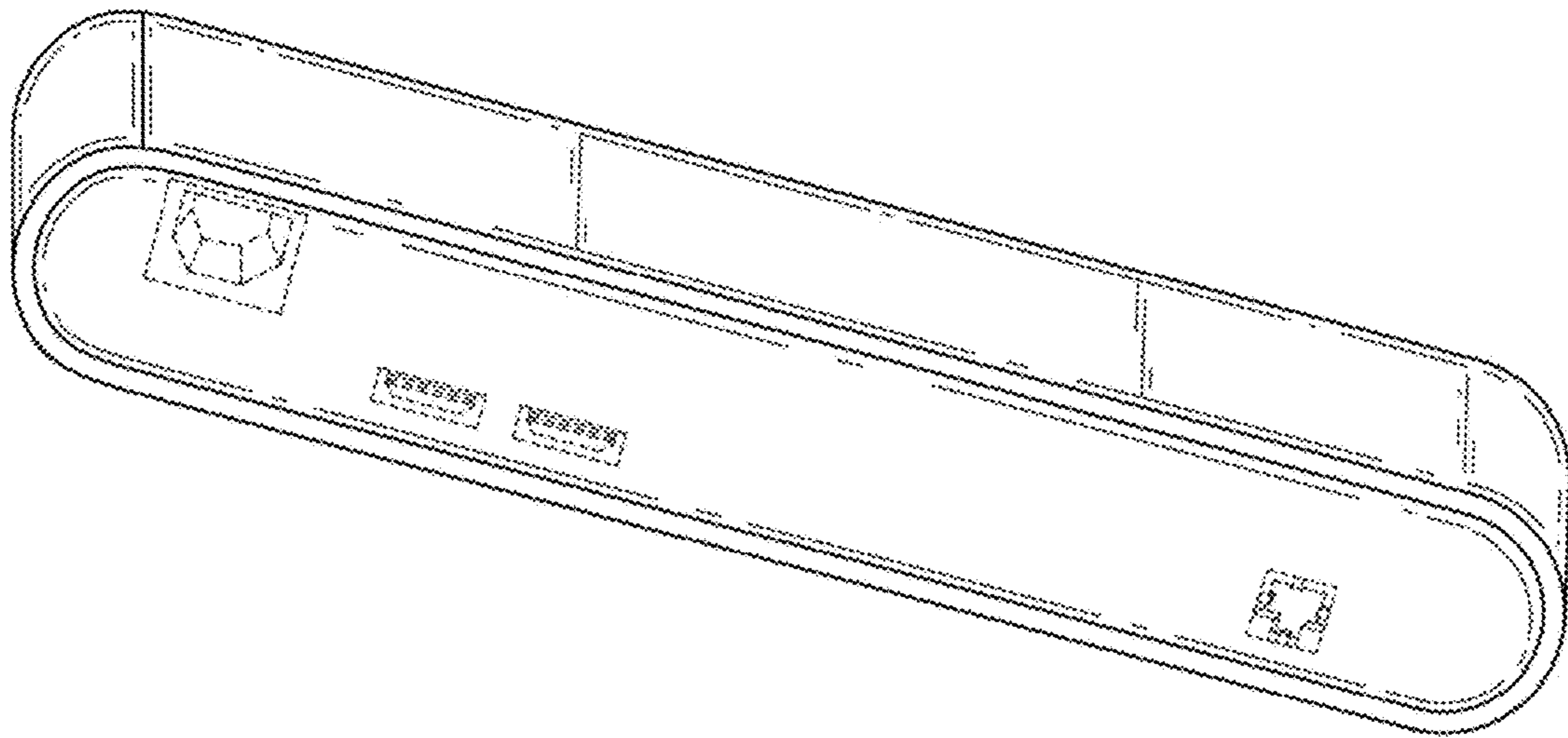


FIG. 2

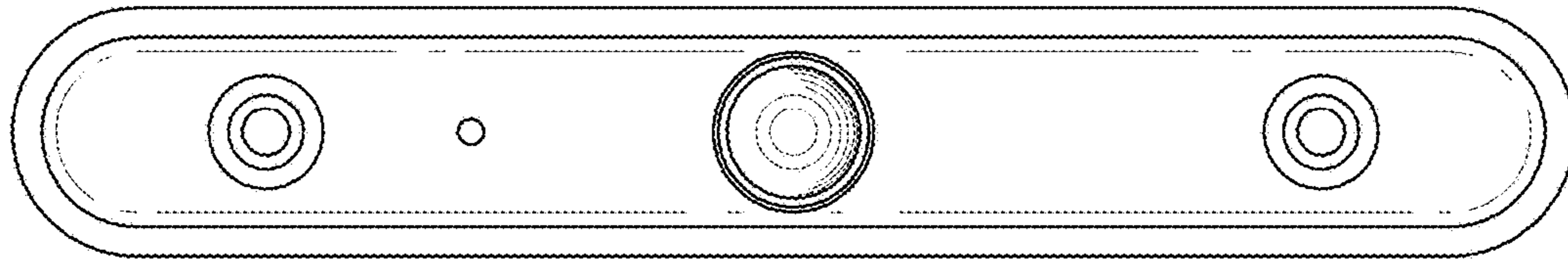


FIG. 3

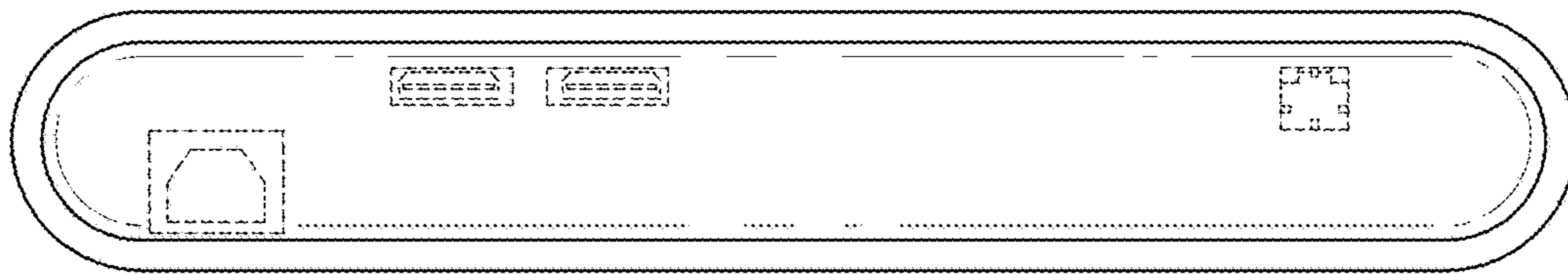


FIG. 4

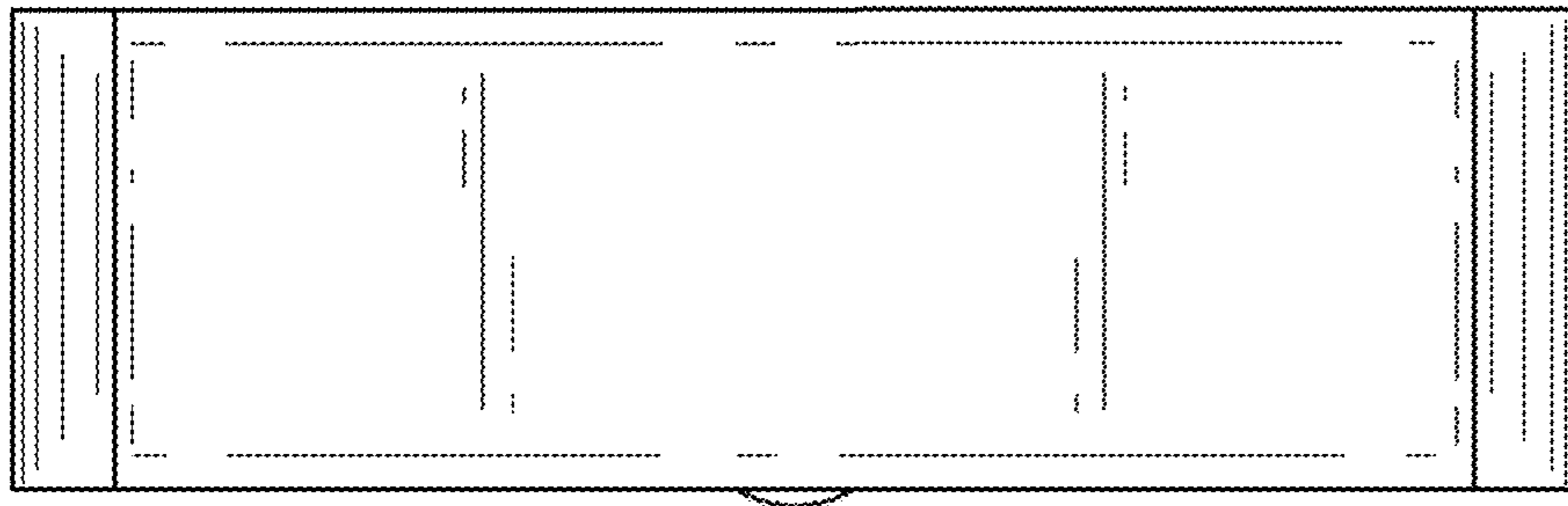


FIG. 5



FIG. 6

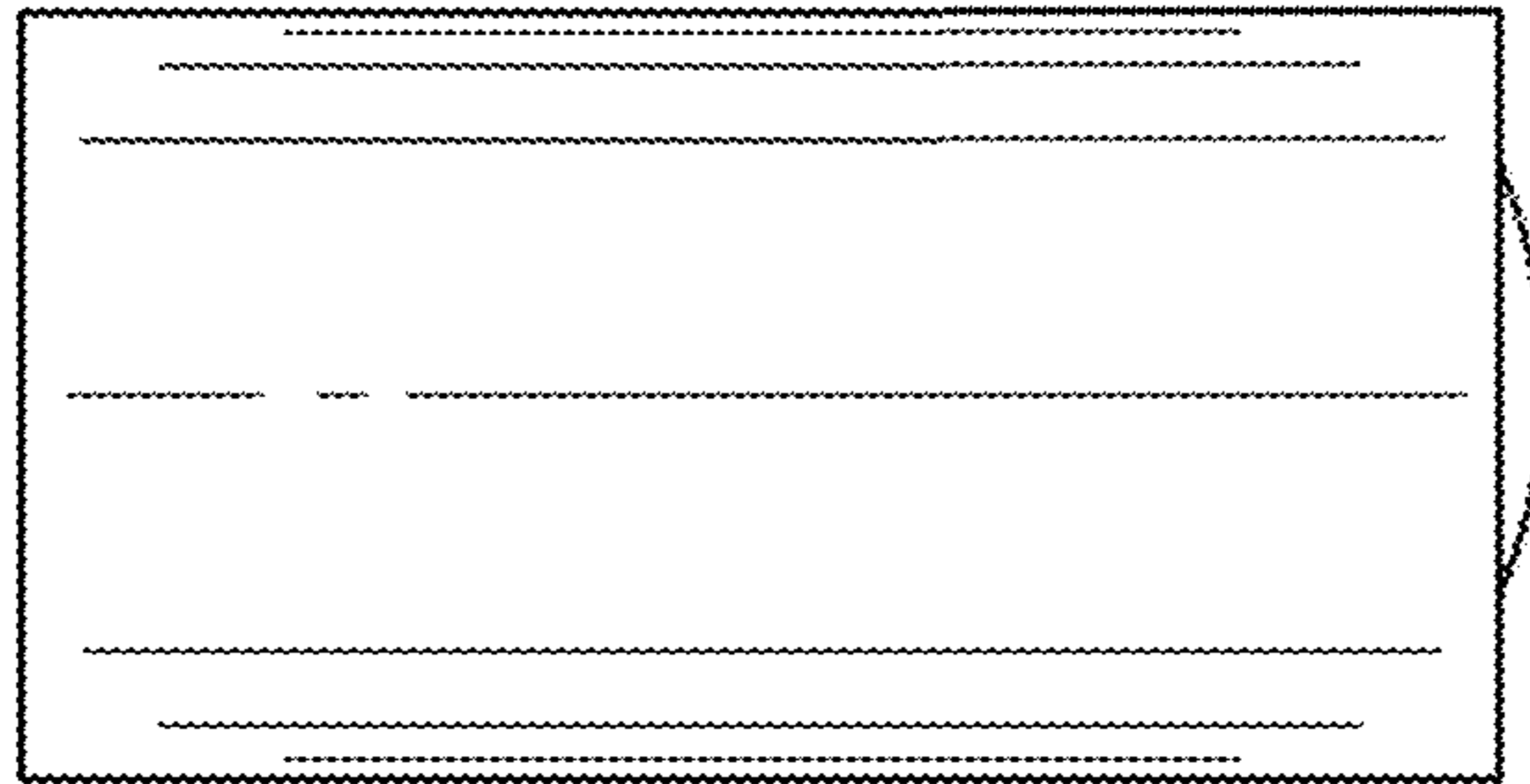


FIG. 7

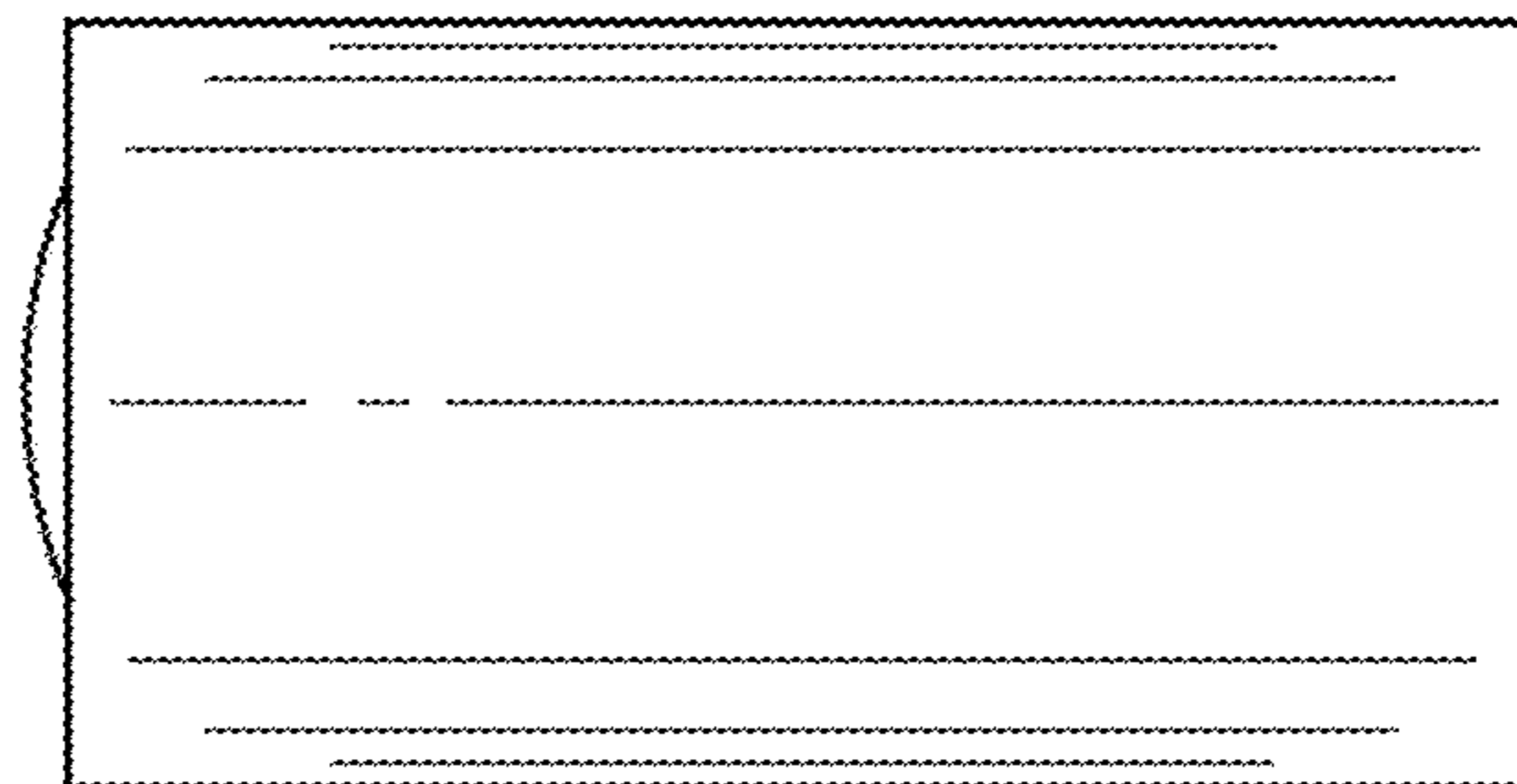


FIG. 8