



US00D865028S

(12) **United States Design Patent**
Högstedt et al.

(10) **Patent No.:** **US D865,028 S**

(45) **Date of Patent:** **** Oct. 29, 2019**

(54) **CAMERA**

(71) Applicant: **FLIR SYSTEMS AB**, Täby (SE)

(72) Inventors: **Christian Högstedt**, Nacka (SE); **Jens O. Johansson**, Stockholm (SE); **Fredrik Nilsson**, Farsta (SE); **Anton Hoffman**, Bromma (SE)

(73) Assignee: **FLIR Systems AB**, Taby (SE)

(**) Term: **15 Years**

(21) Appl. No.: **29/588,797**

(22) Filed: **Dec. 22, 2016**

(51) **LOC (12) Cl.** **16-01**

(52) **U.S. Cl.**
USPC **D16/206**

(58) **Field of Classification Search**
USPC D16/200, 202–206, 208, 218, 219;
348/164, 347, 373–376; 396/535,
396/539–541; 250/330, 332
CPC G03B 15/03; G03B 17/02; G03B 17/04;
G03B 17/56; G03B 19/04; H04N 5/2251;
H04N 5/2252; H04N 5/2253; H04N
5/2254; H04N 2101/00; H04N 5/33;
H04N 5/332

See application file for complete search history.

(56) **References Cited**

U.S. PATENT DOCUMENTS

D466,540 S	12/2002	Lannestdt et al.	
D585,927 S *	2/2009	Sheard	D16/206
D599,392 S *	9/2009	Hamrelius	D16/206
D658,222 S *	4/2012	Elrod	D16/206
D665,440 S *	8/2012	Sigward	D16/206
D666,928 S *	9/2012	Elrod	D10/57
D677,298 S	3/2013	Hallgren	
D710,424 S *	8/2014	Hallgren	D16/206
D723,605 S	3/2015	Palm	
D733,783 S *	7/2015	Wu	D16/206

D741,390 S *	10/2015	Mayeur	D16/206
D780,245 S *	2/2017	Ruback	D16/206
2012/0314084 A1 *	12/2012	Lammert	G01J 5/02 348/164
2013/0188058 A1 *	7/2013	Nguyen	G01J 5/02 348/164
2014/0002668 A1 *	1/2014	Nguyen	G01J 5/0205 348/164
2014/0028854 A1 *	1/2014	Heinke	H04N 5/33 348/164

* cited by examiner

Primary Examiner — Ramzi S Almatrahi

(74) *Attorney, Agent, or Firm* — Haynes and Boone, LLP

(57) **CLAIM**

The ornamental design for a camera, as shown and described.

DESCRIPTION

FIG. 1 is a front elevational view of a camera embodying the new design;

FIG. 2 is a rear elevational view thereof;

FIG. 3 is a left side view thereof;

FIG. 4 is a right side view thereof;

FIG. 5 is a top plan view thereof;

FIG. 6 is a bottom plan view thereof;

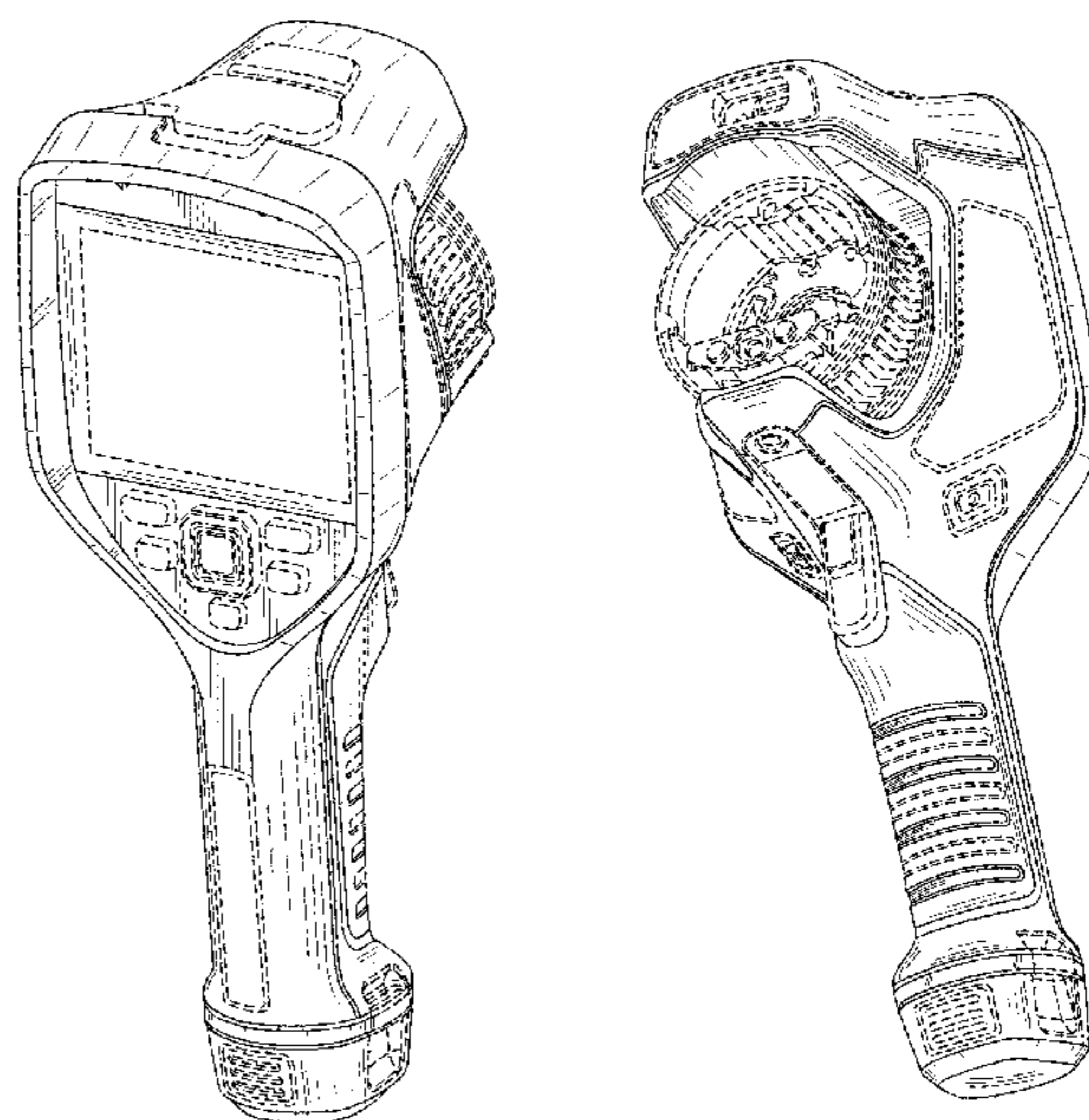
FIG. 7 is a rear, right, and top view thereof;

FIG. 8 is a front, left, and bottom perspective view thereof; and,

FIG. 9 is another front, left, and bottom perspective view thereof, shown with a lens assembly mounted to the front portion of the camera, disclosed in broken lines to illustrate an environment.

The broken lines depict portions of the camera in which the design is embodied that form no part of the claimed design. The broken lines showing a lens assembly in FIG. 9 represent environmental structure and form no part of the claimed design.

1 Claim, 9 Drawing Sheets



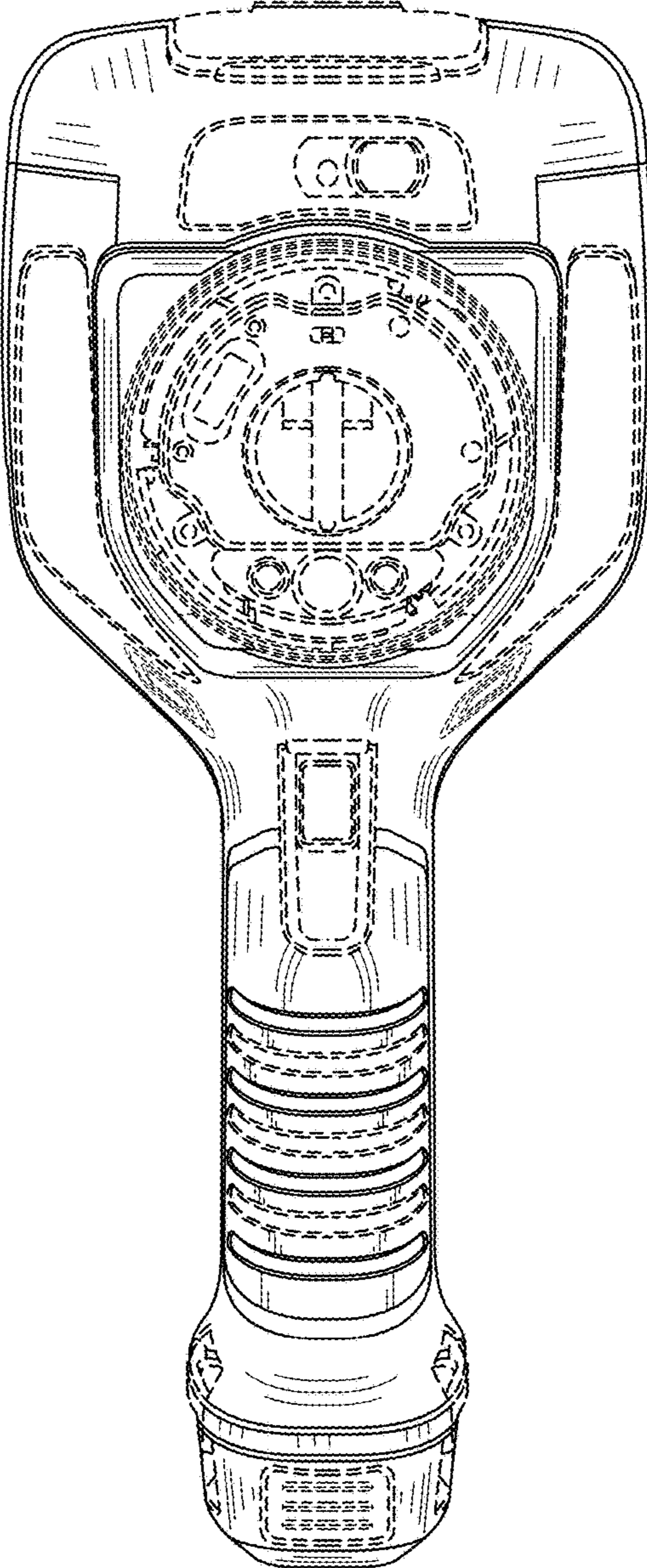


FIG. 1

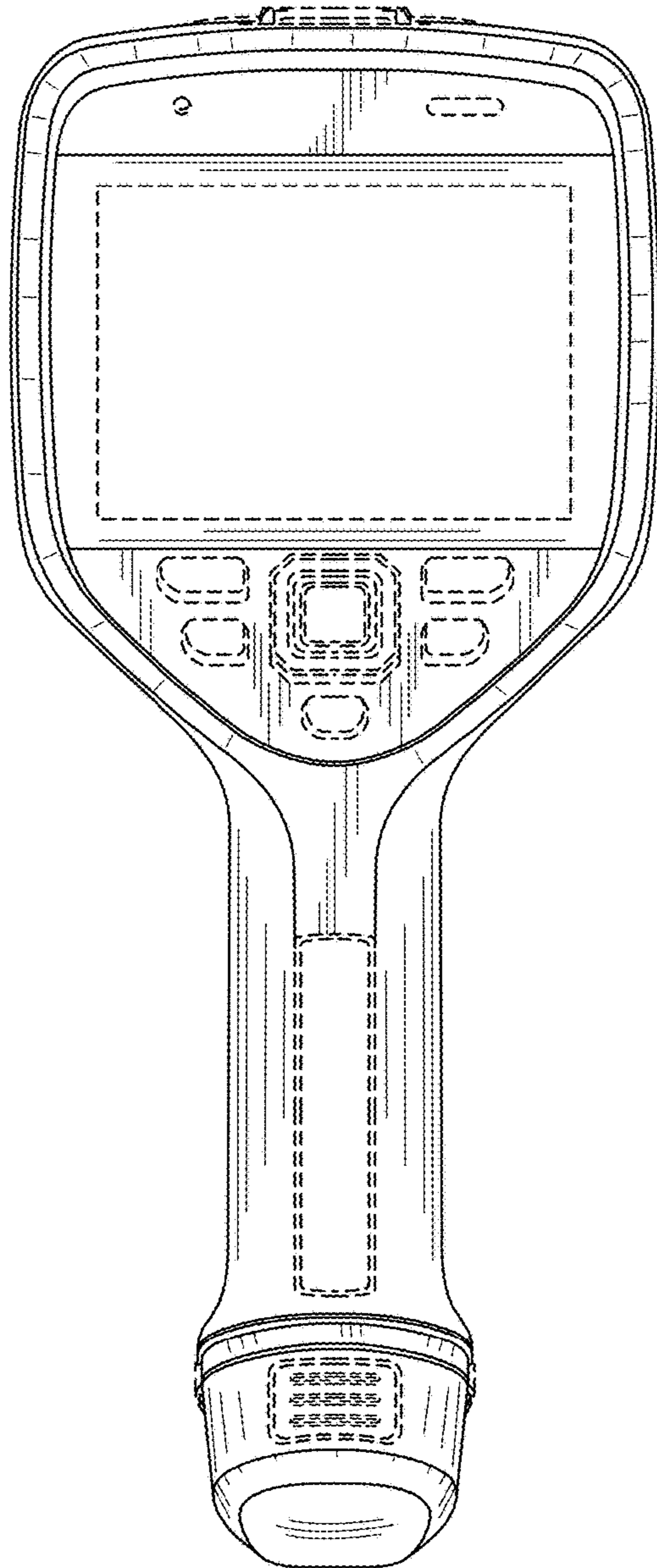


FIG. 2

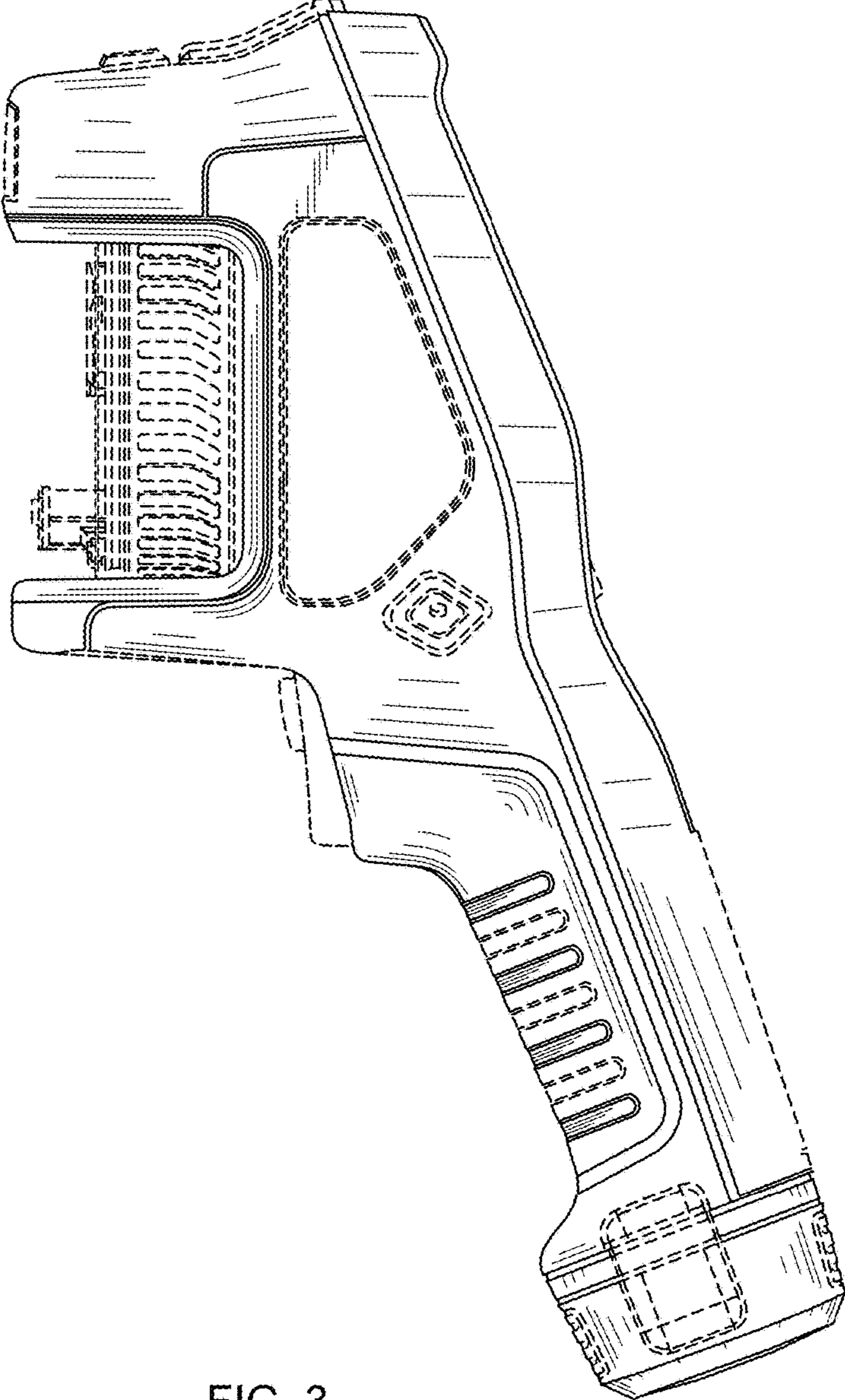


FIG. 3

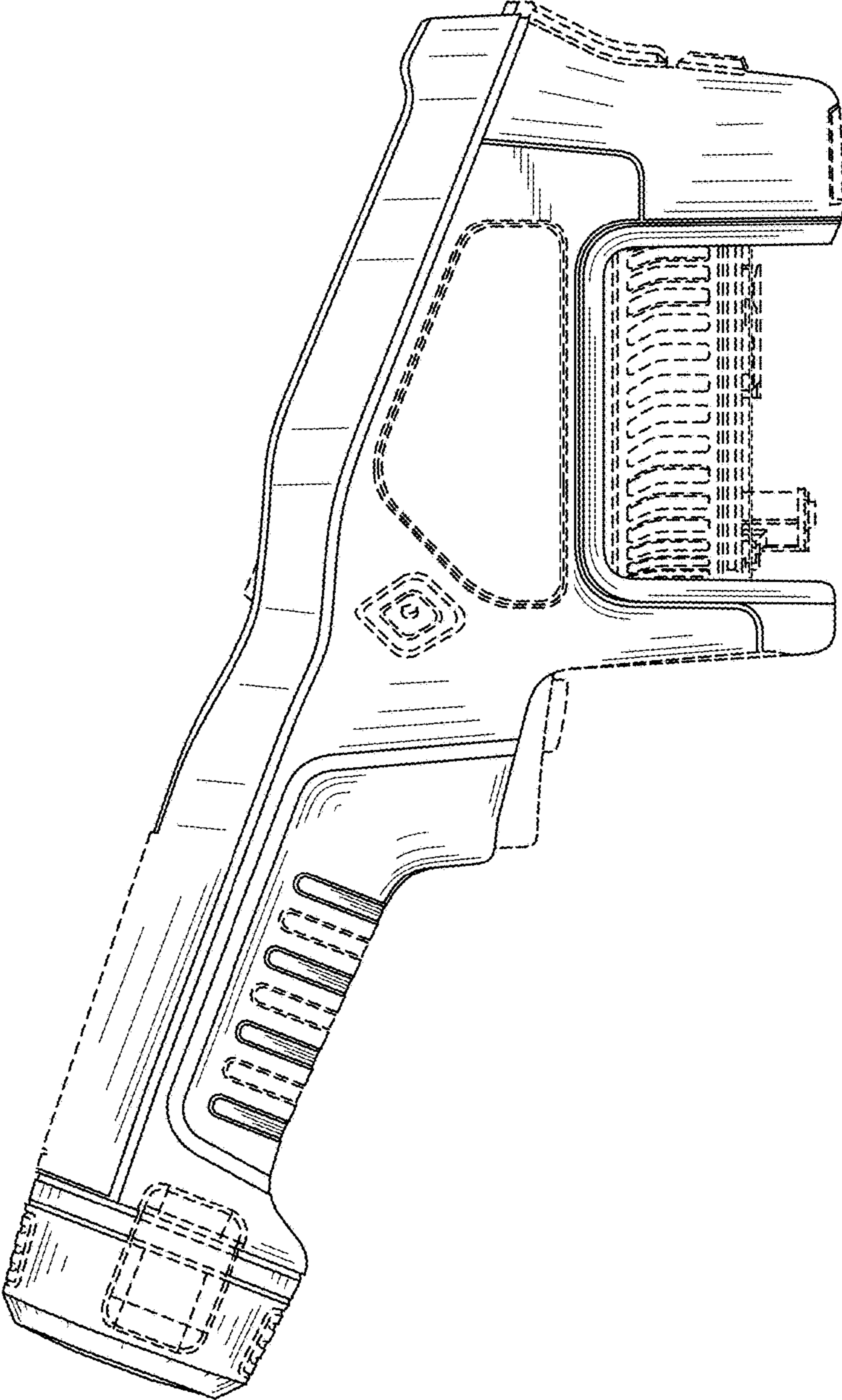


FIG. 4

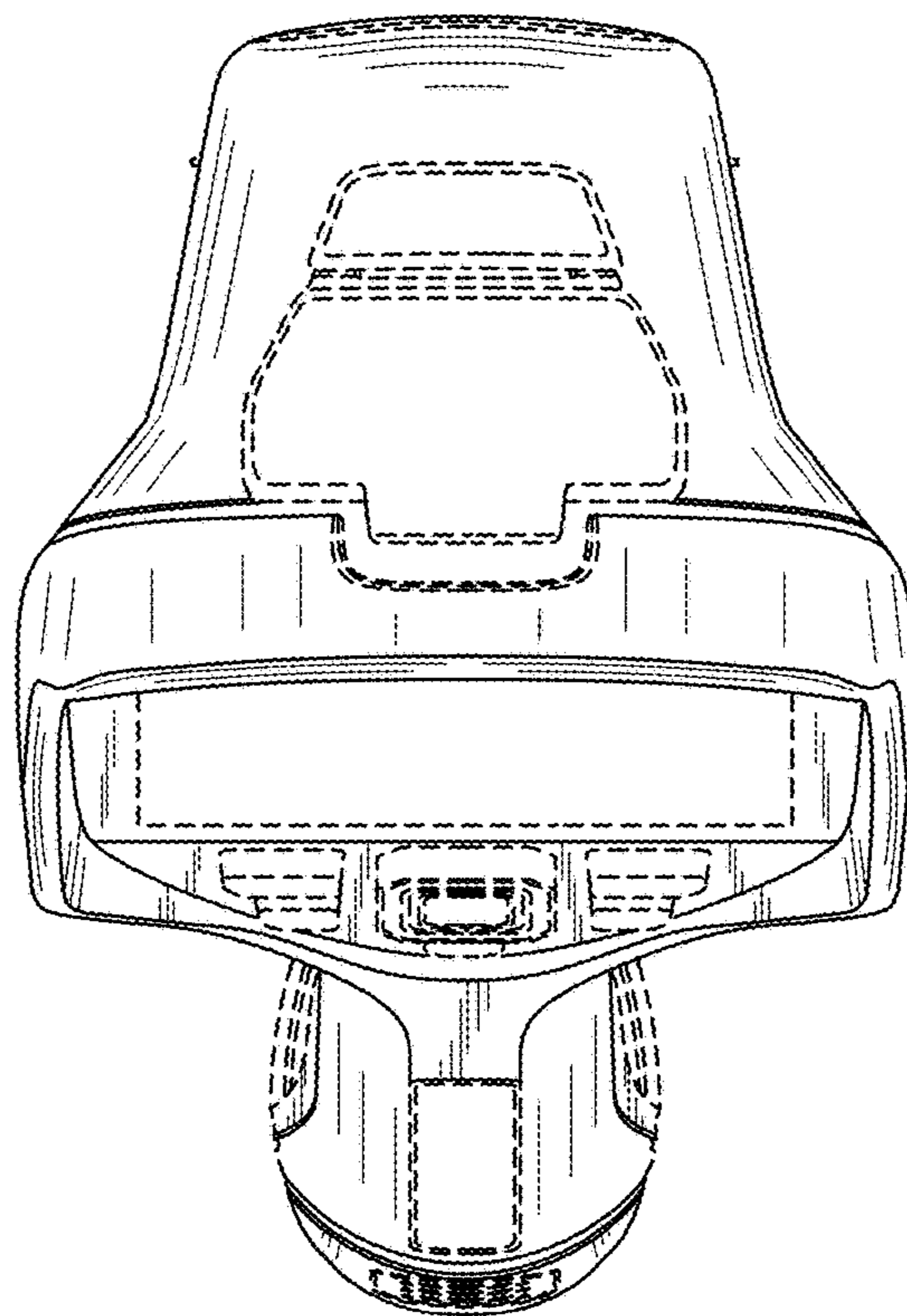


FIG. 5

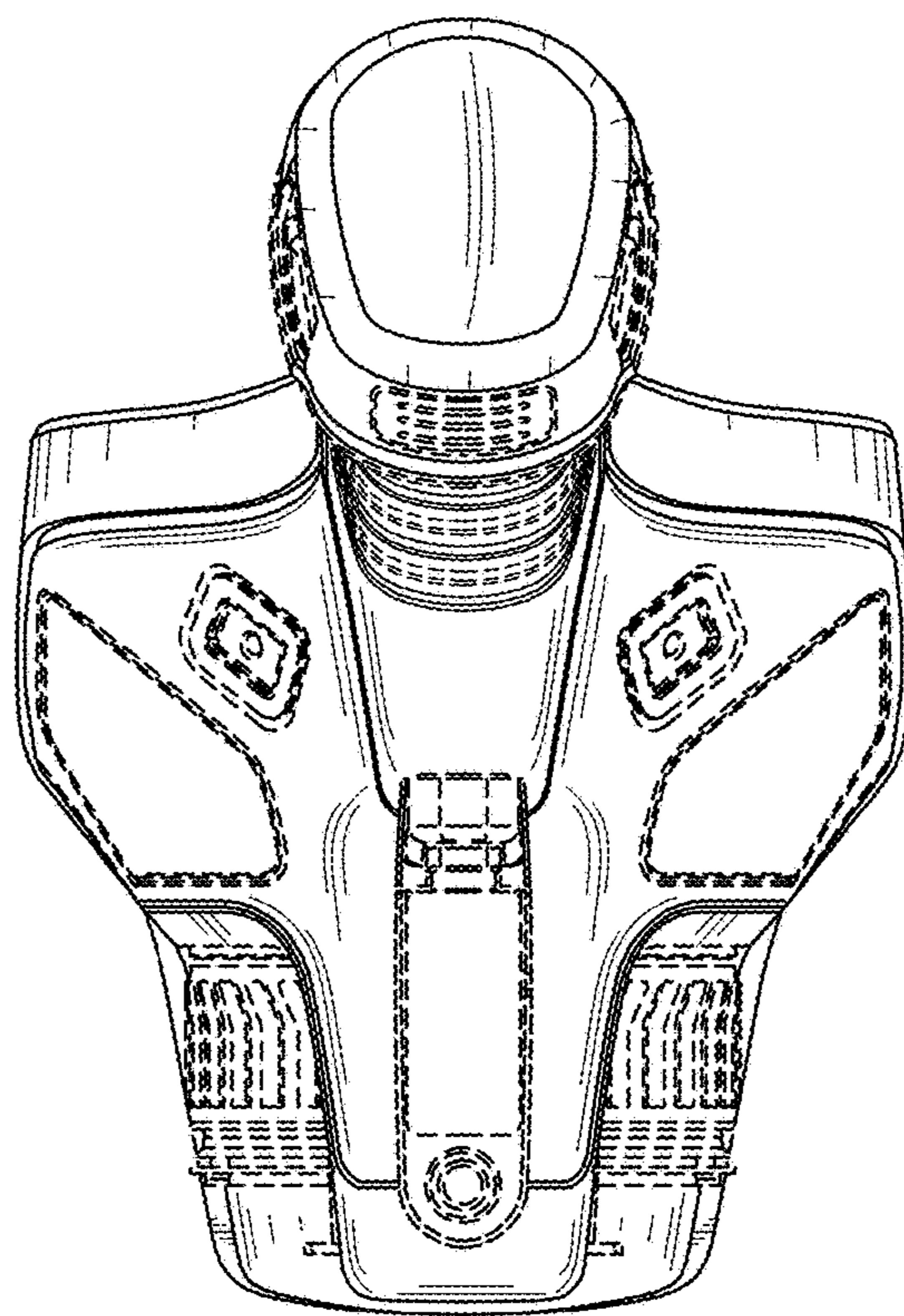


FIG. 6

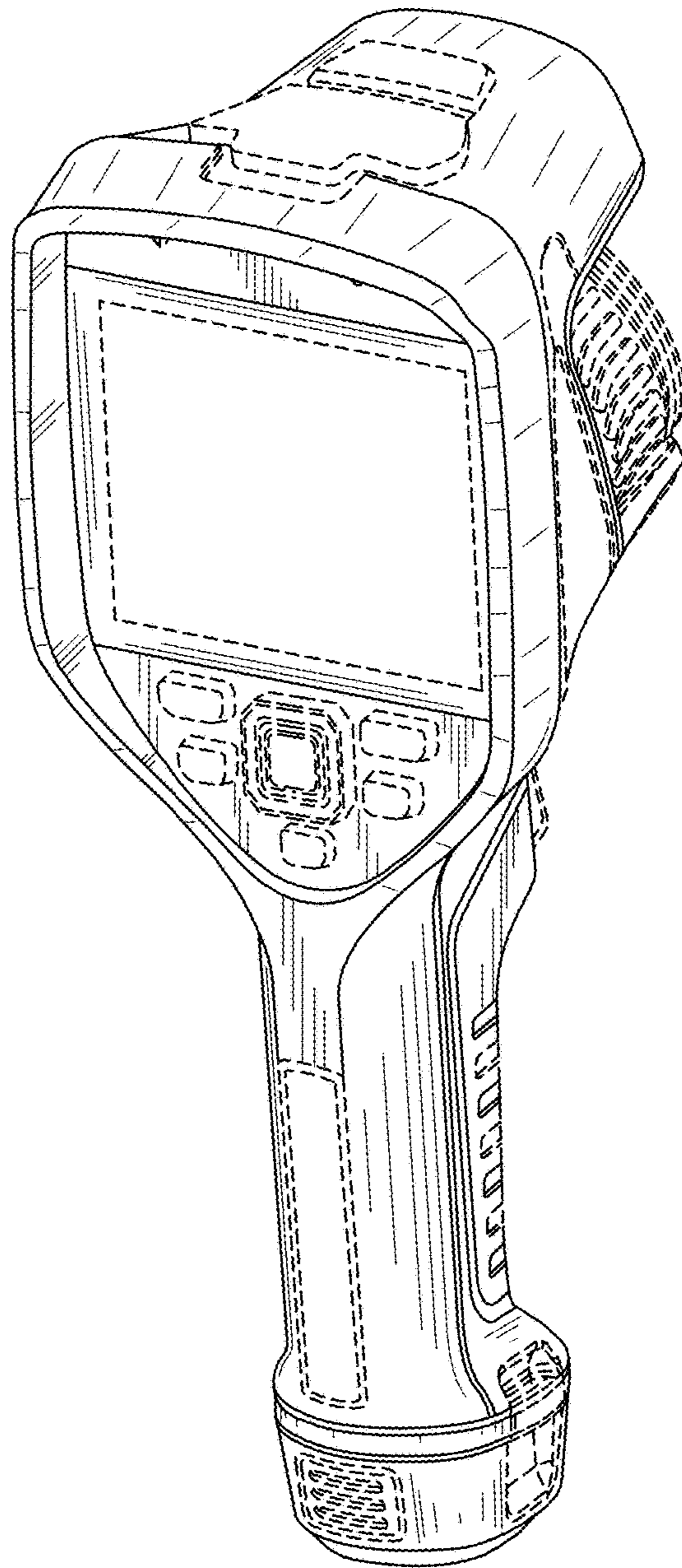


FIG. 7

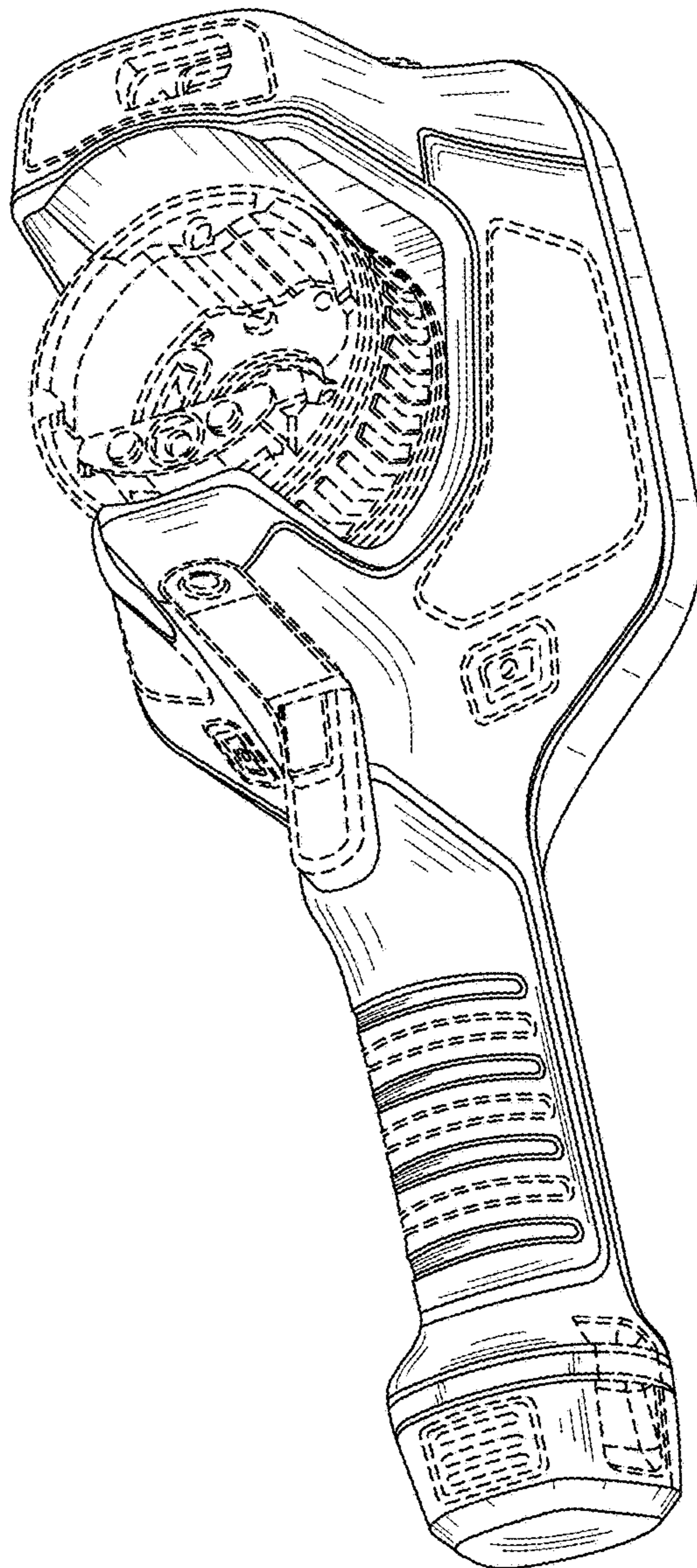


FIG. 8

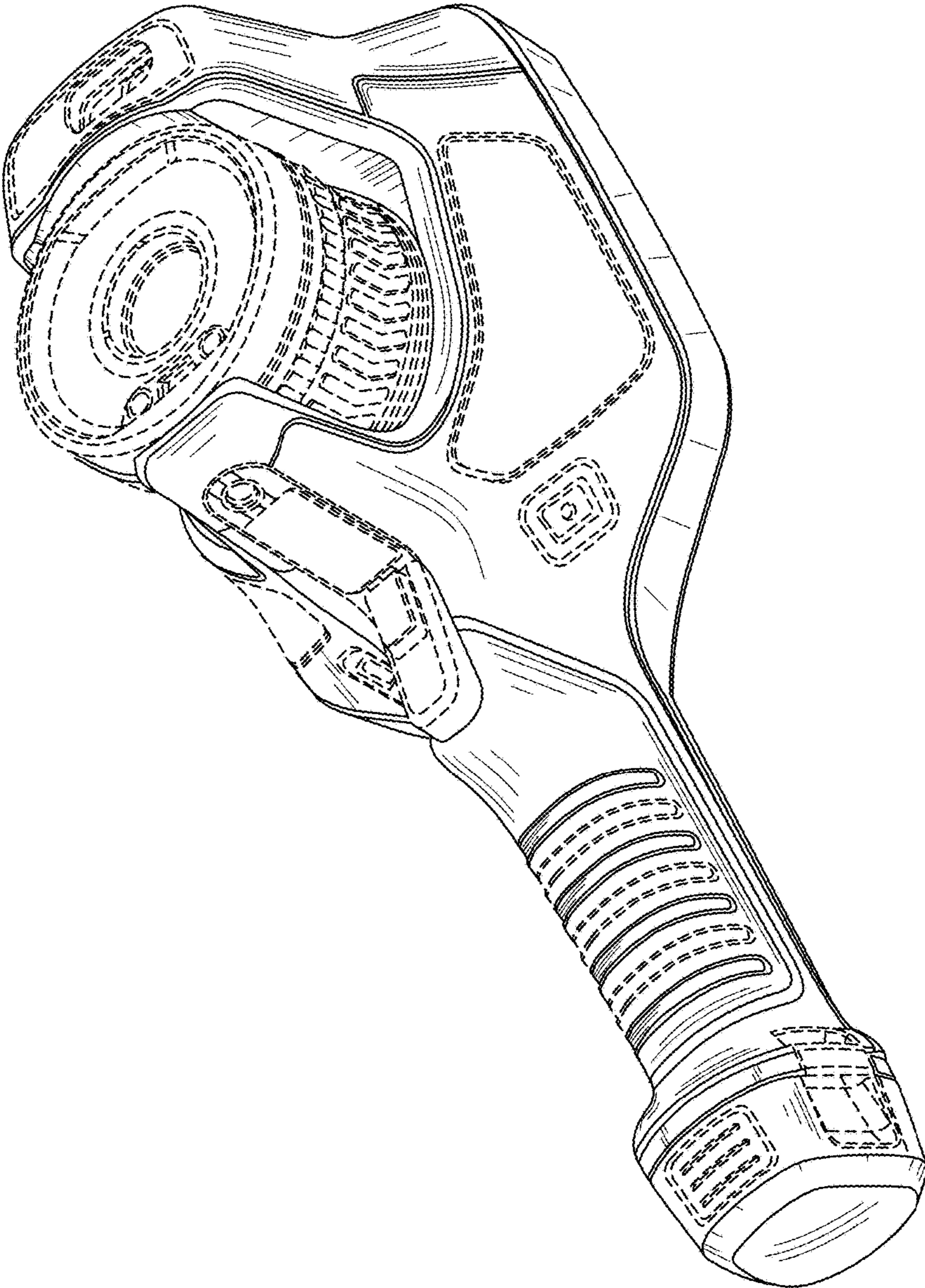


FIG. 9