



US00D865025S

(12) **United States Design Patent**
Siminoff et al.

(10) **Patent No.:** **US D865,025 S**
(45) **Date of Patent:** **** Oct. 29, 2019**

(54) **SECURITY CAMERA**

(71) Applicant: **Ring Inc.**, Santa Monica, CA (US)

(72) Inventors: **Mark Siminoff**, Mountain View, CA (US); **Christopher Loew**, Palo Alto, CA (US); **Matthew J. England**, Santa Monica, CA (US)

(73) Assignee: **Amazon Technologies, Inc.**, Seattle, WA (US)

(**) Term: **15 Years**

(21) Appl. No.: **29/632,754**

(22) Filed: **Jan. 9, 2018**

(51) **LOC (12) Cl.** **16-01**

(52) **U.S. Cl.**
USPC **D16/203**

(58) **Field of Classification Search**

USPC D16/200, 202–206, 208, 218, 219, 242;
348/143, 148, 151, 373–376; 396/419,
396/427, 535, 539–541

CPC G03B 17/02; G03B 19/04; G03B 17/56;
G03B 17/04; G03B 15/03; H04N 5/2251;
H04N 5/2252; H04N 5/2253; H04N
5/2254; H04N 7/181; H04N 7/183; H04N
7/18; G08B 13/1963; G08B 13/19619;
G08B 13/19632; F16M 11/04; F16M
13/00

See application file for complete search history.

(56) **References Cited**

U.S. PATENT DOCUMENTS

D349,714 S * 8/1994 Hasegawa D16/203
D518,080 S * 3/2006 Uehara D16/202

(Continued)

Primary Examiner — Ramzi S Almatrahi

(74) *Attorney, Agent, or Firm* — Lathrop Gage LLP

(57) **CLAIM**

The ornamental design for a security camera, as shown and described.

DESCRIPTION

FIG. 1 is a front perspective view of a security camera according to the present design shown in a first configuration;

FIG. 2 is a rear perspective view of the security camera in the first configuration of FIG. 1;

FIG. 3 is a front elevational view of the security camera in the first configuration of FIG. 1;

FIG. 4 is a rear elevational view of the security camera in the first configuration of FIG. 1;

FIG. 5 is a left-side elevational view of the security camera in the first configuration of FIG. 1;

FIG. 6 is a right-side elevational view of the security camera in the first configuration of FIG. 1;

FIG. 7 is a top plan view of the security camera in the first configuration of FIG. 1;

FIG. 8 is a bottom plan view of the security camera in the first configuration of FIG. 1;

FIG. 9 is a front perspective view of the security camera in a second configuration according to the present design;

FIG. 10 is a rear perspective view of the security camera in the second configuration of FIG. 9;

FIG. 11 is a front elevational view of the security camera in the second configuration of FIG. 9;

FIG. 12 is a rear elevational view of the security camera in the second configuration of FIG. 9;

FIG. 13 is a left-side elevational view of the security camera in the second configuration of FIG. 9;

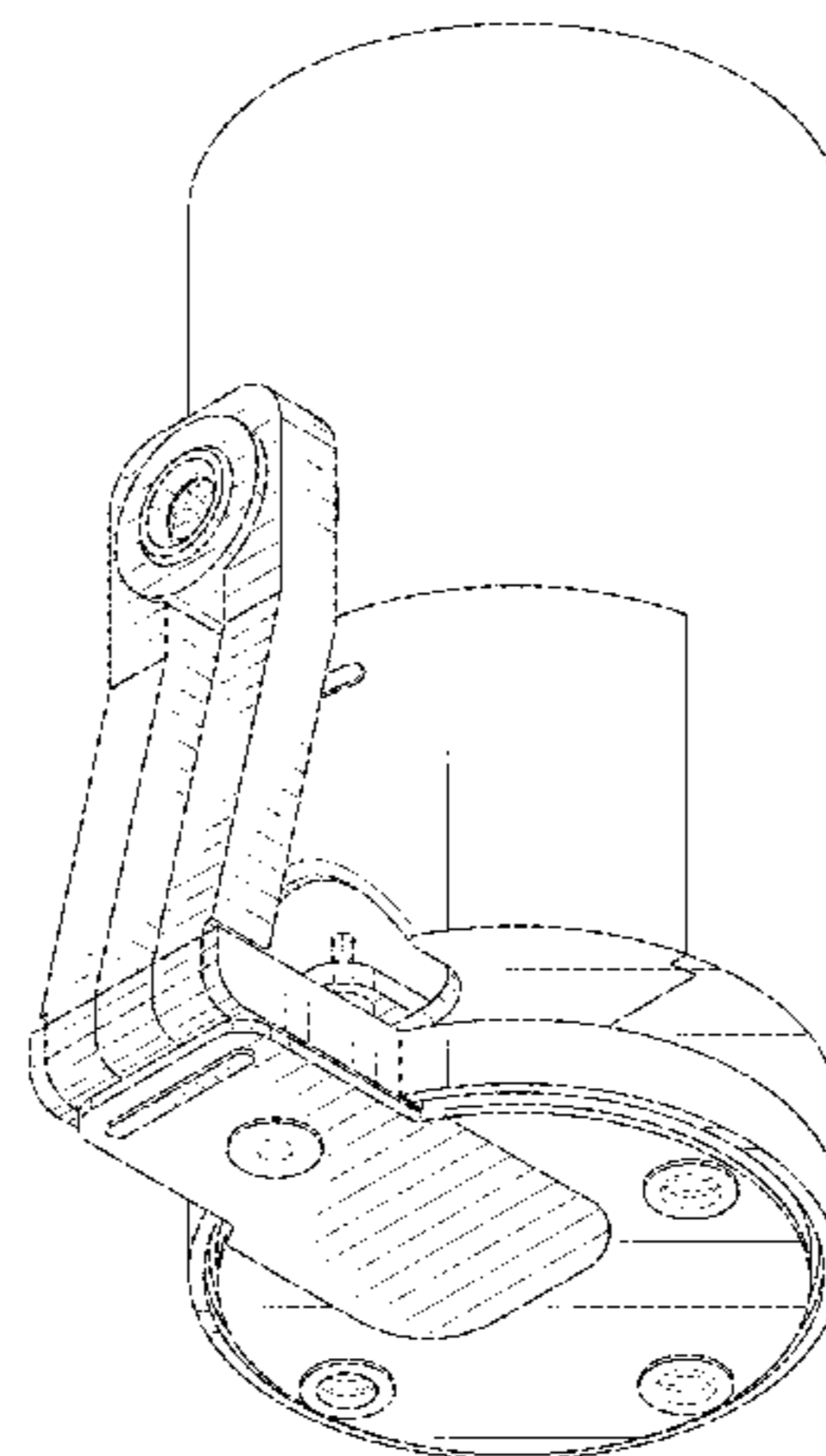
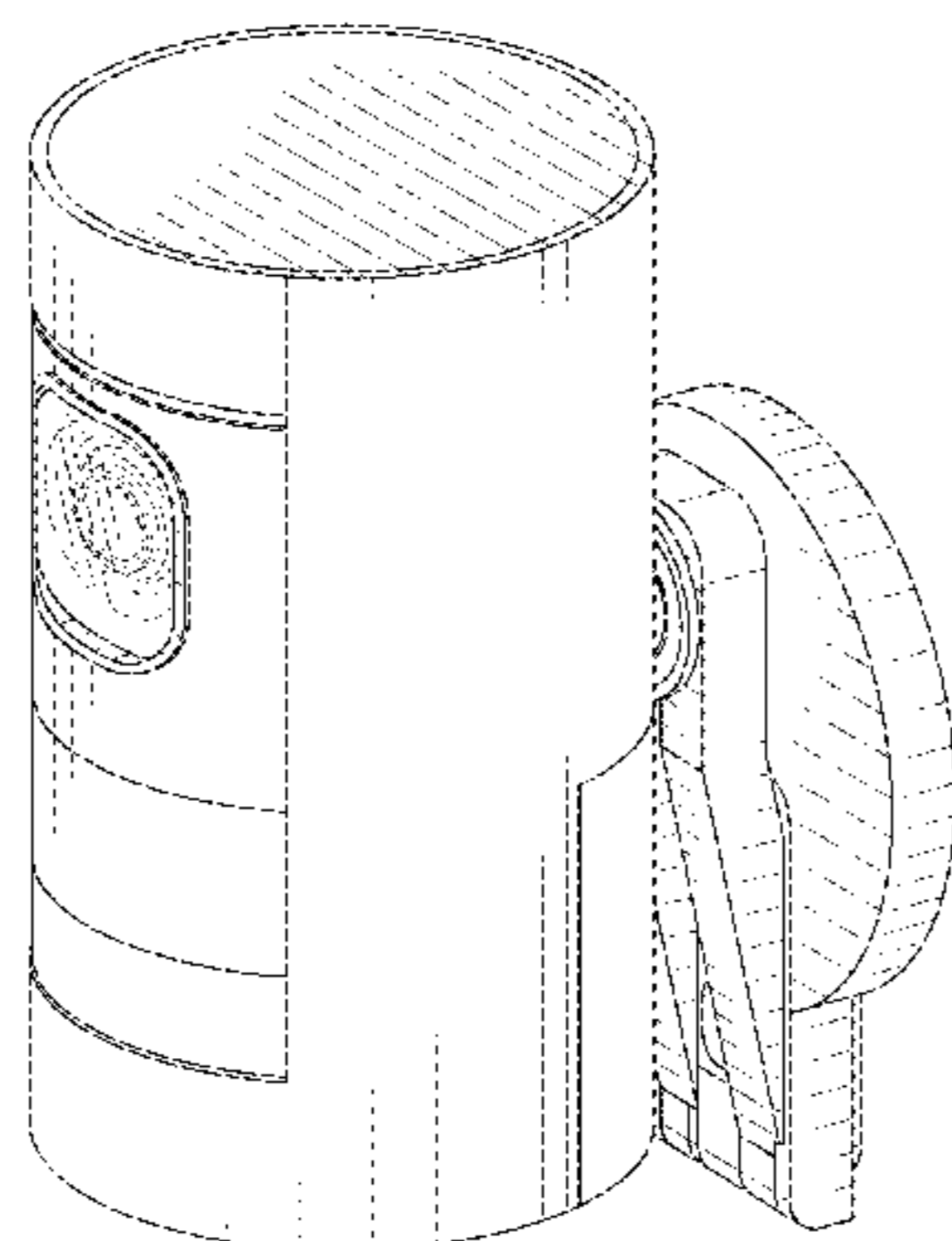
FIG. 14 is a right-side elevational view of the security camera in the second configuration of FIG. 9;

FIG. 15 is a top plan view of the security camera in the second configuration of FIG. 9; and,

FIG. 16 is a bottom plan view of the security camera in the second configuration of FIG. 9.

The broken lines depict portions of the security camera in which the design is embodied that form no part of the claimed design.

1 Claim, 16 Drawing Sheets



(56)

References Cited

U.S. PATENT DOCUMENTS

D701,893 S *	4/2014	Bart	D16/203
D747,383 S *	1/2016	Li	D16/203
D781,361 S *	3/2017	Dimitriadis	D16/203
D795,941 S *	8/2017	Dimitriadis	D16/203
D798,935 S *	10/2017	Dimitriadis	D16/203
D810,169 S *	2/2018	Bhattacharya	D16/203
D818,515 S *	5/2018	Laurans	D16/203
D821,477 S *	6/2018	Moon	D16/203
D832,329 S *	10/2018	Li	D16/203
D834,631 S *	11/2018	Park	D16/203
D842,358 S *	3/2019	Puric	D16/203

* cited by examiner

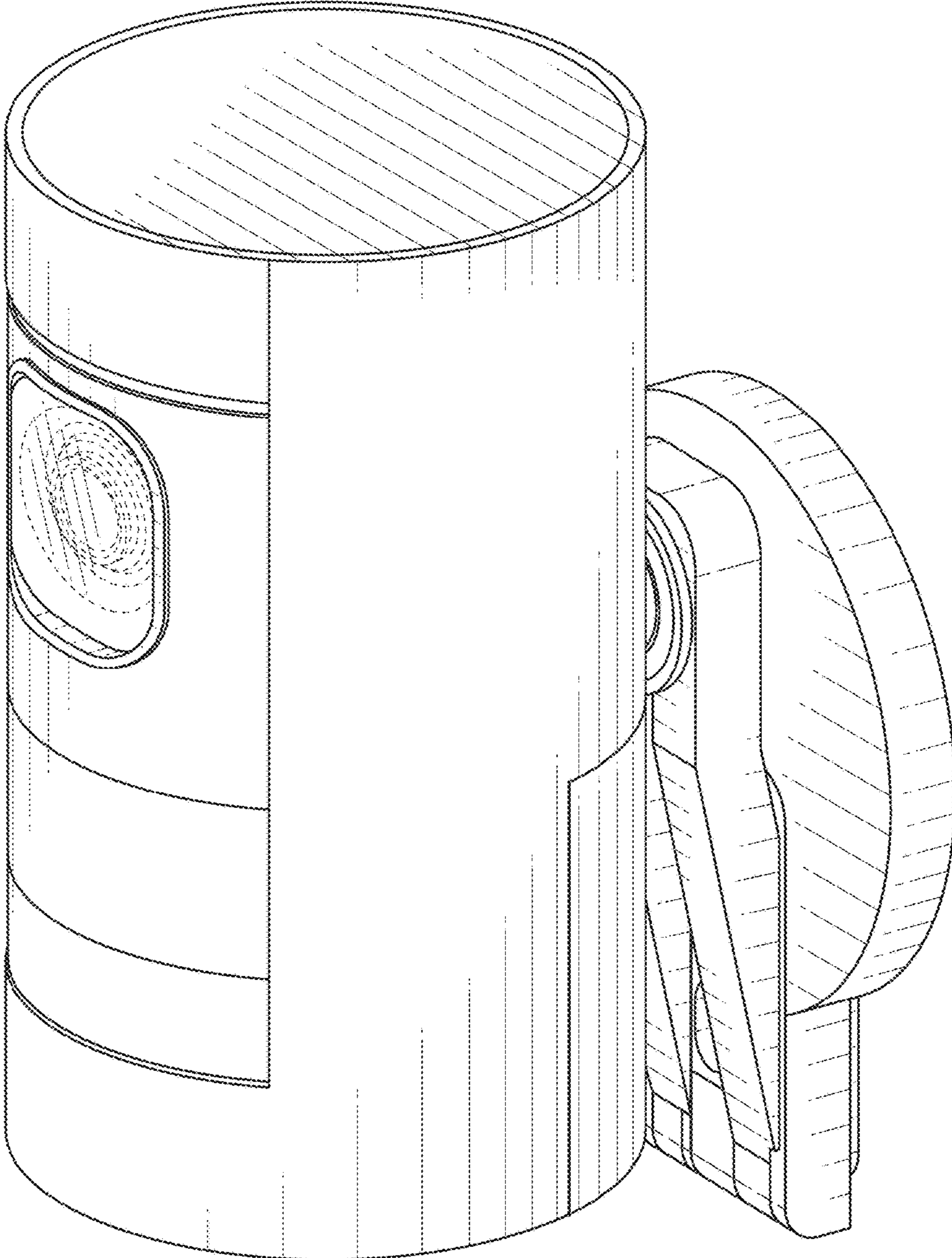


FIG. 1

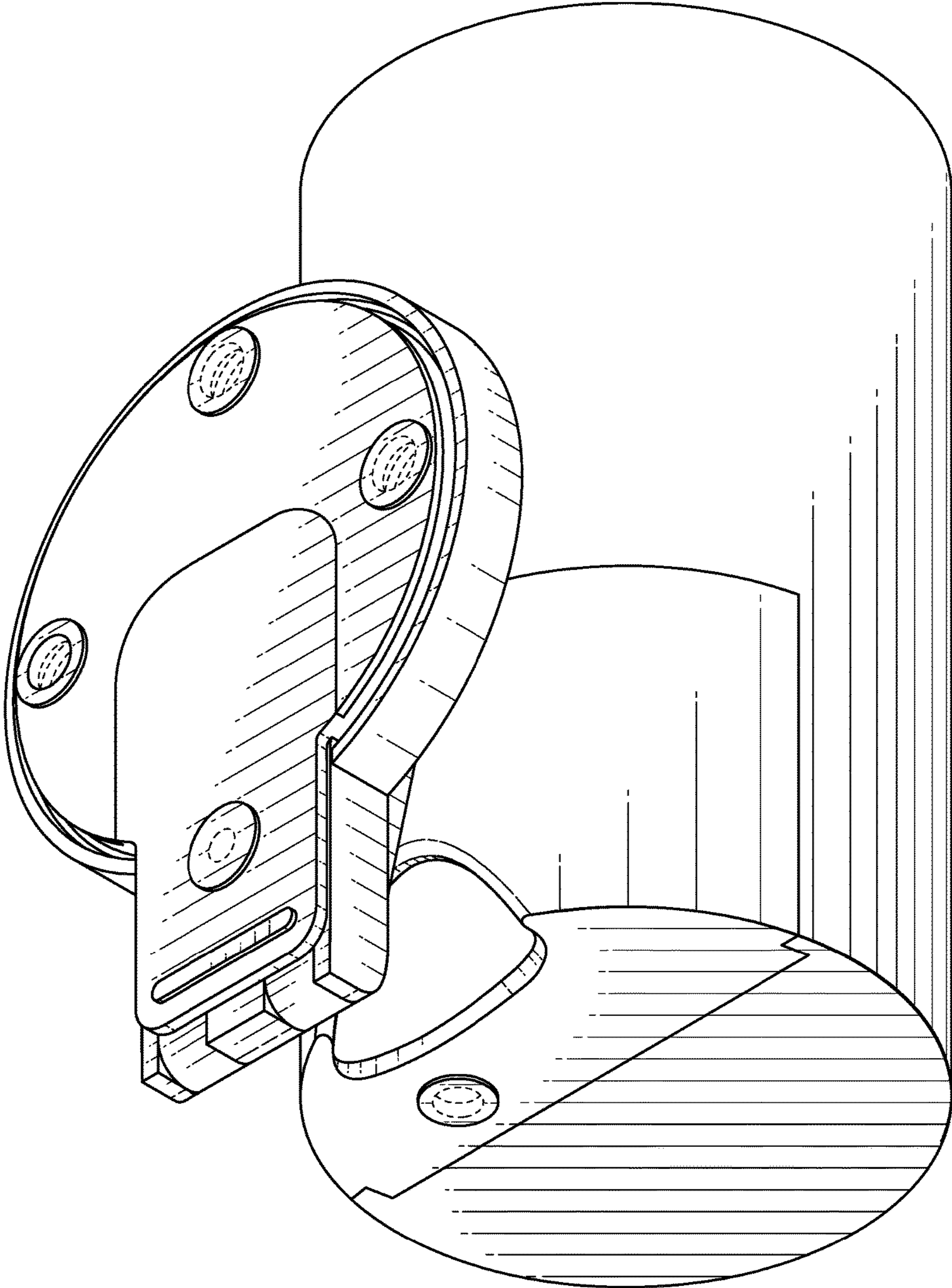


FIG. 2

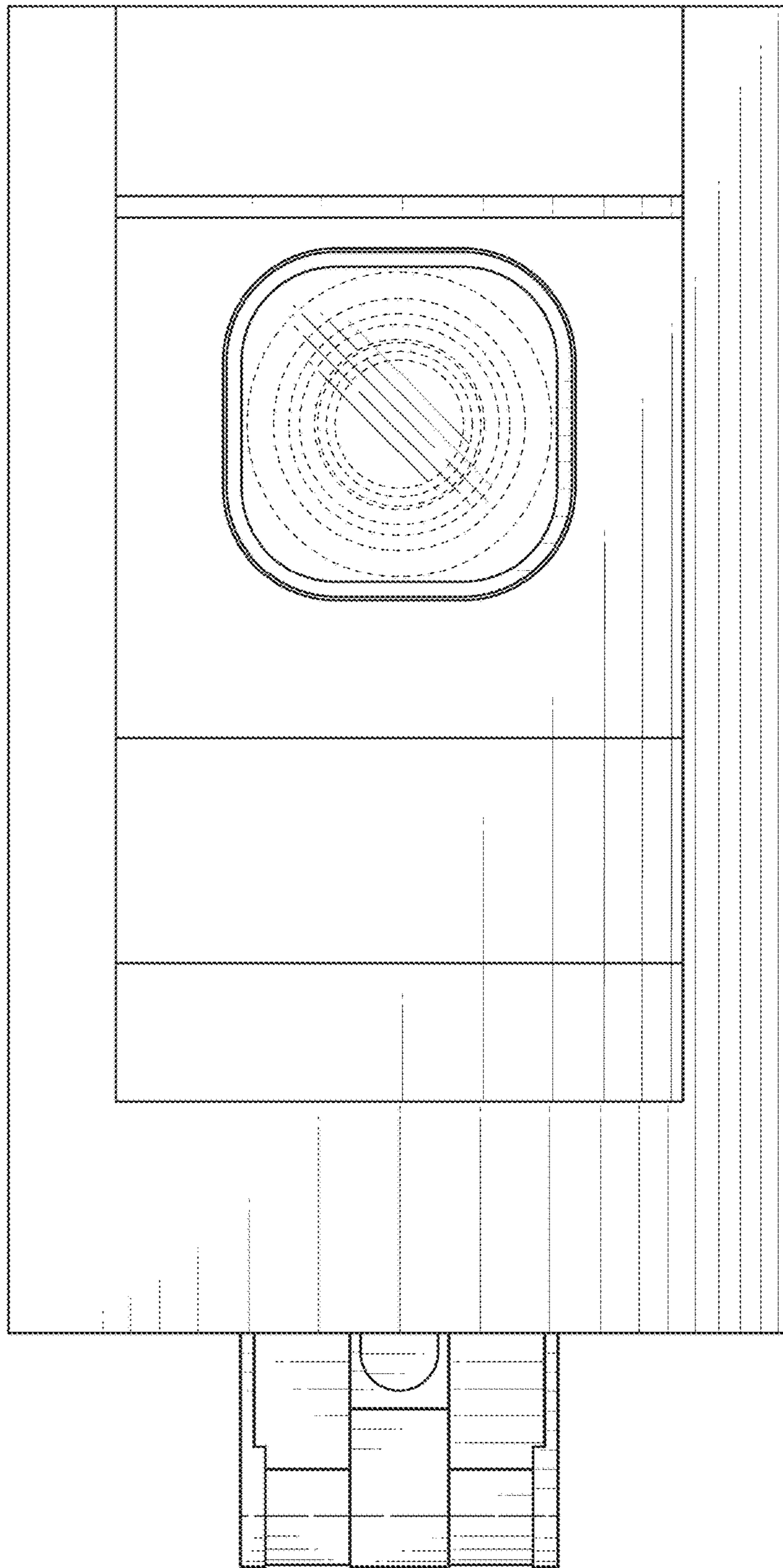


FIG. 3

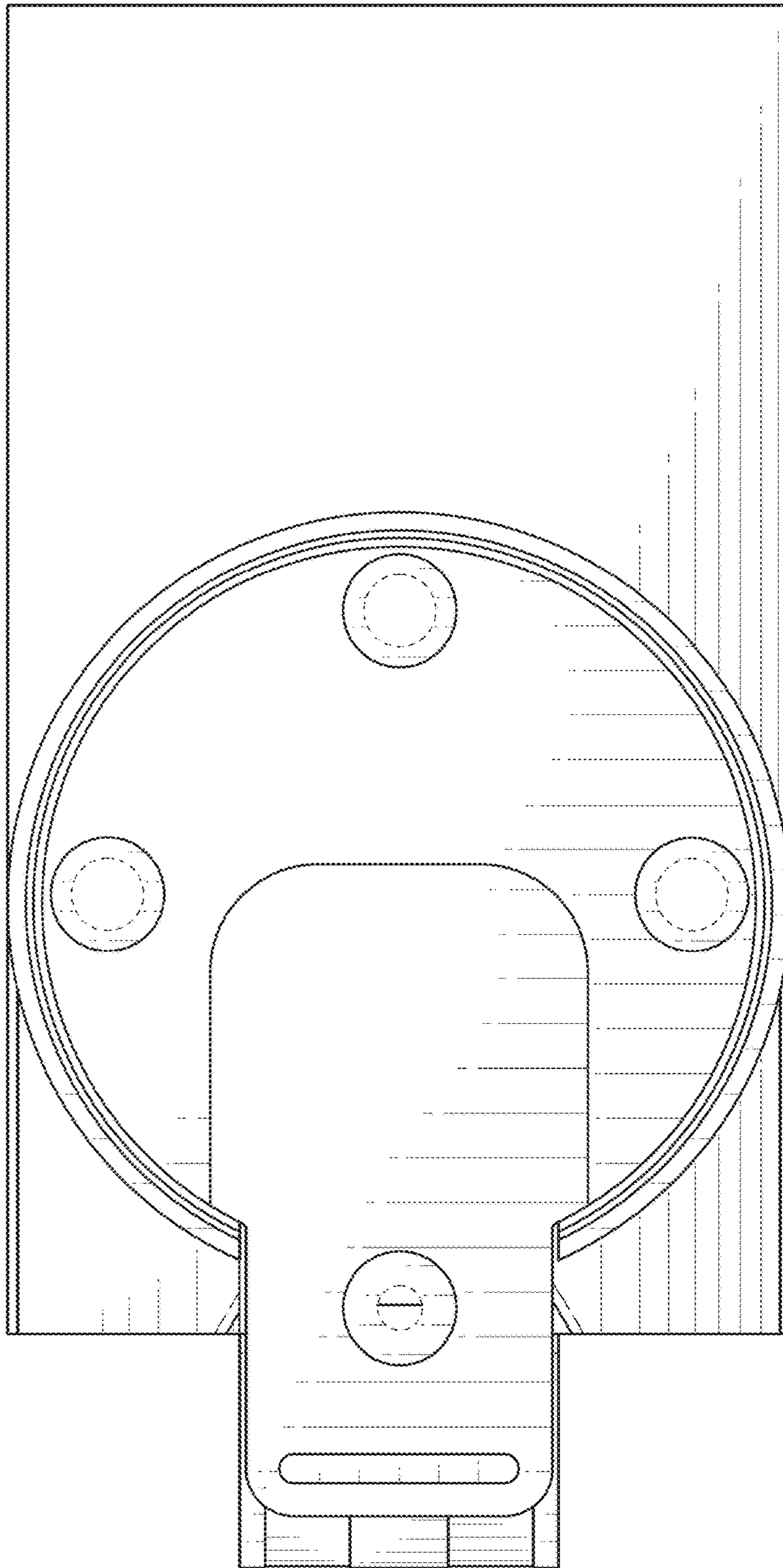


FIG. 4

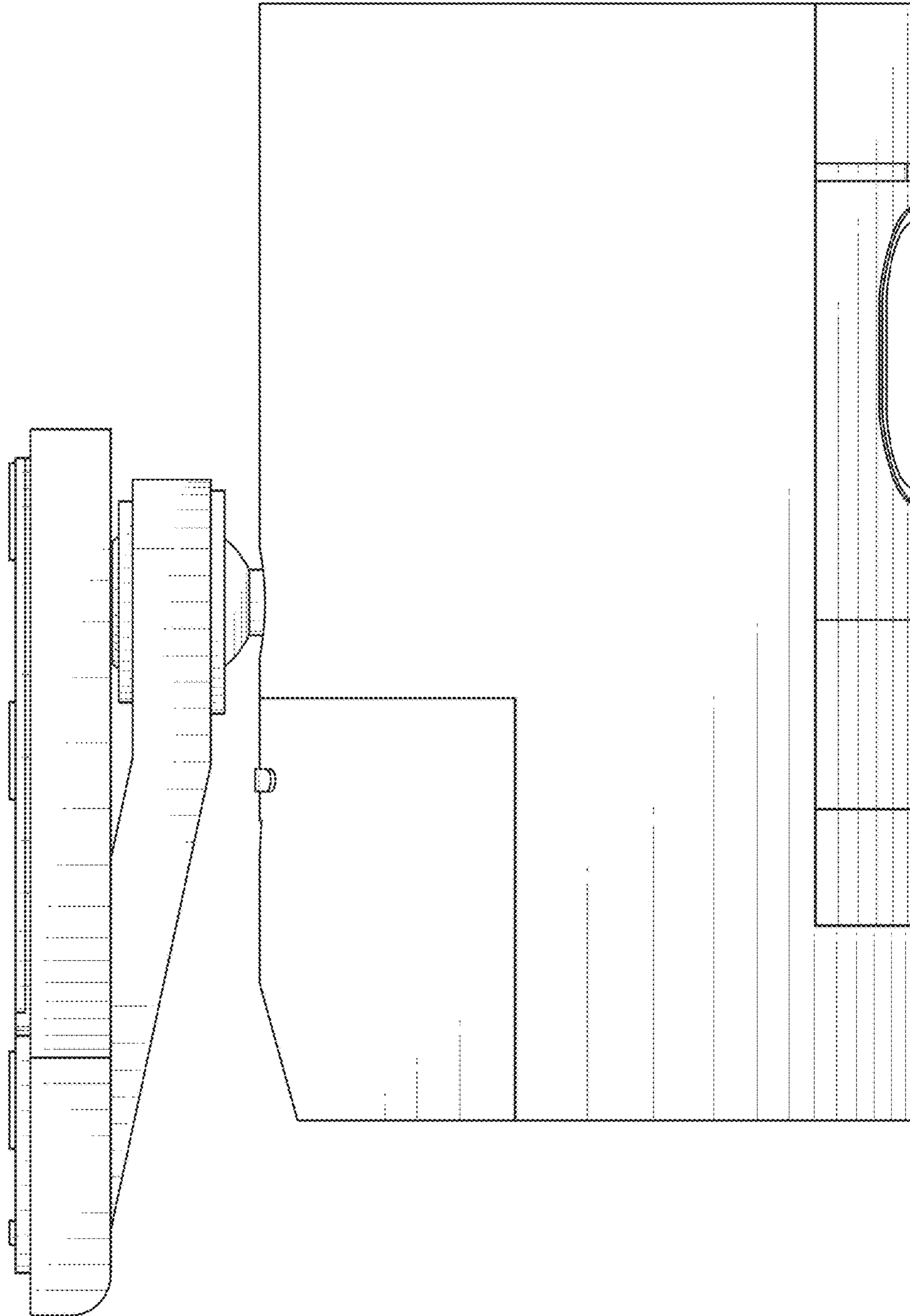


FIG. 5

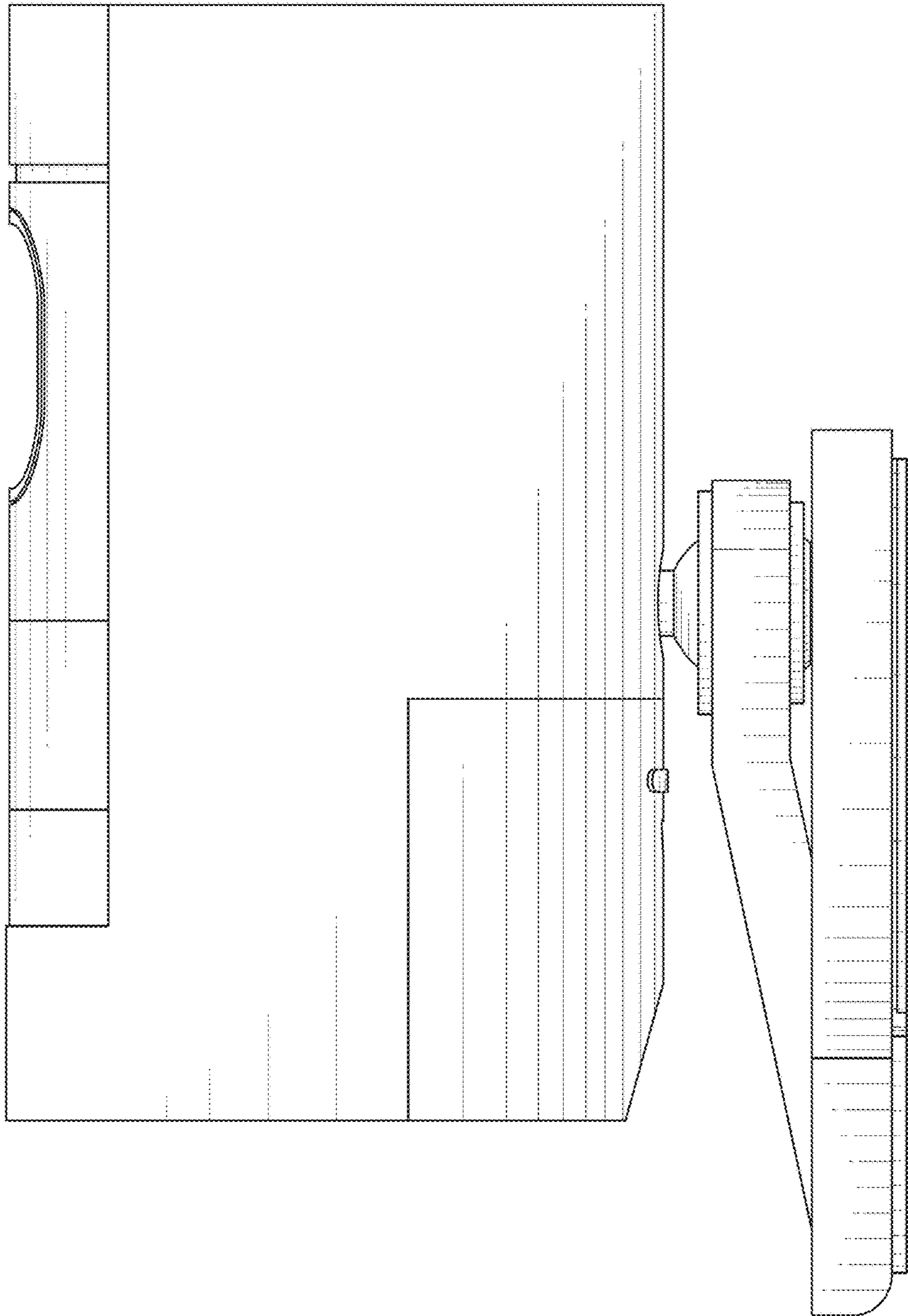


FIG. 6

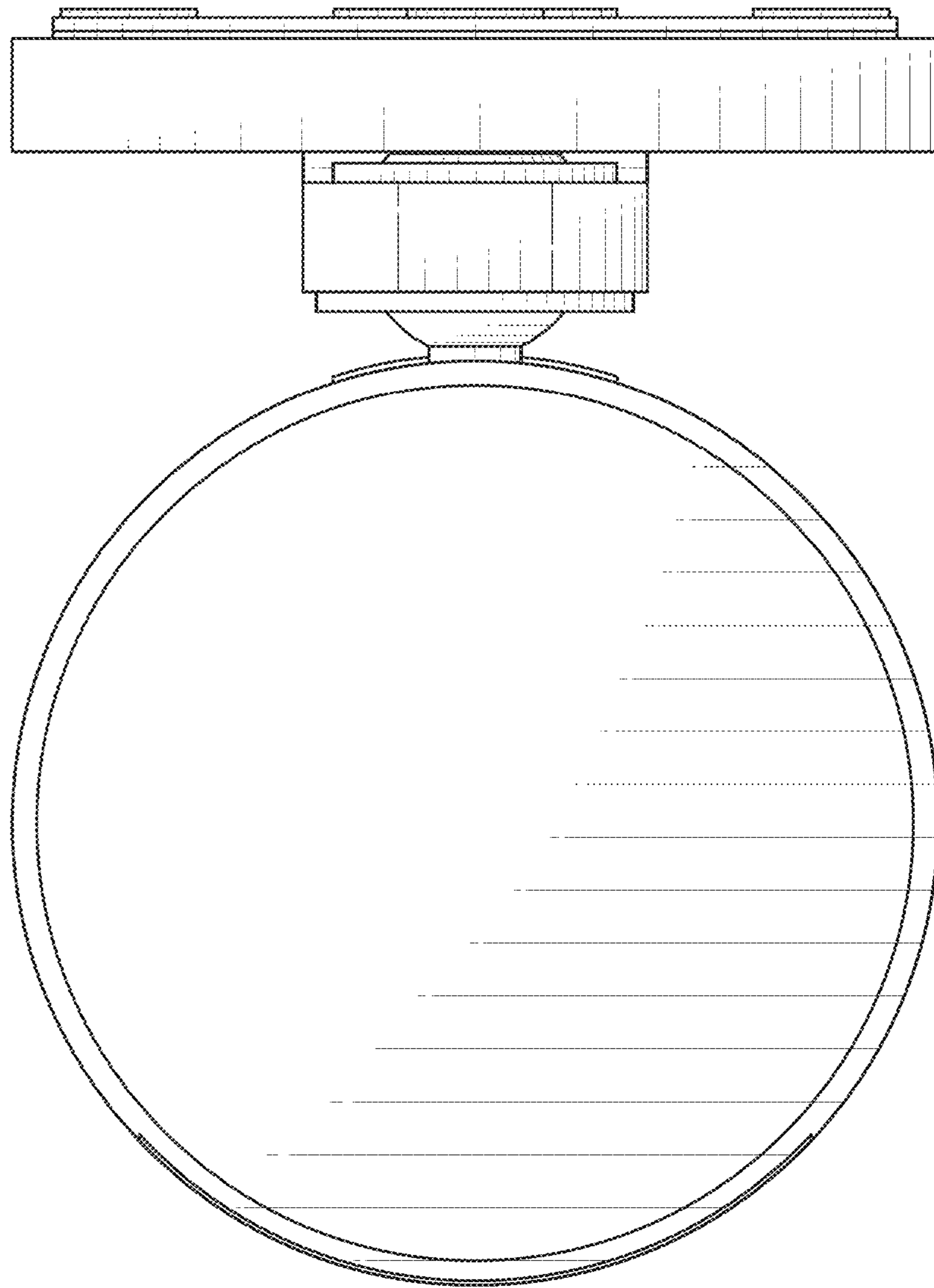


FIG. 7

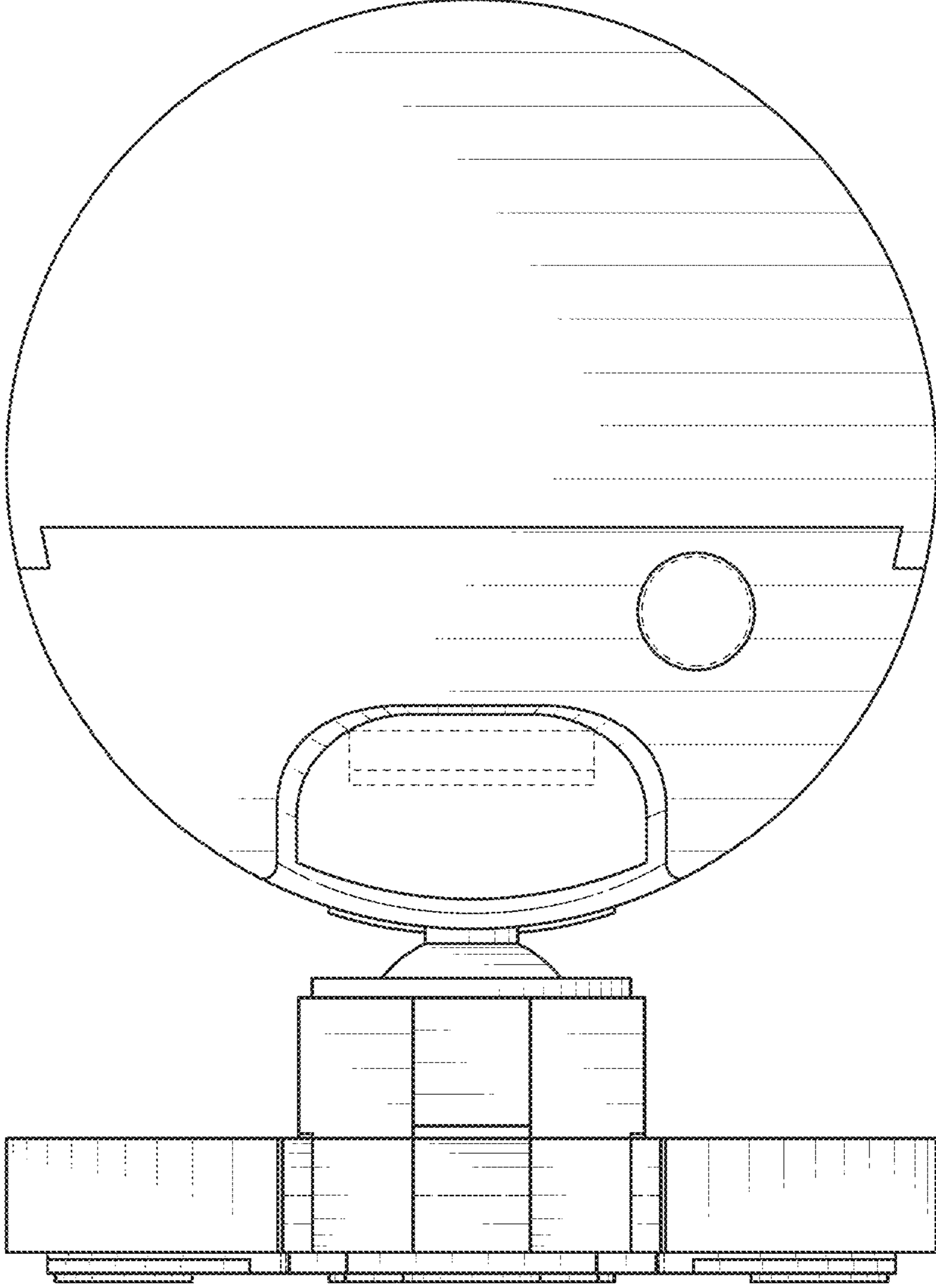


FIG. 8

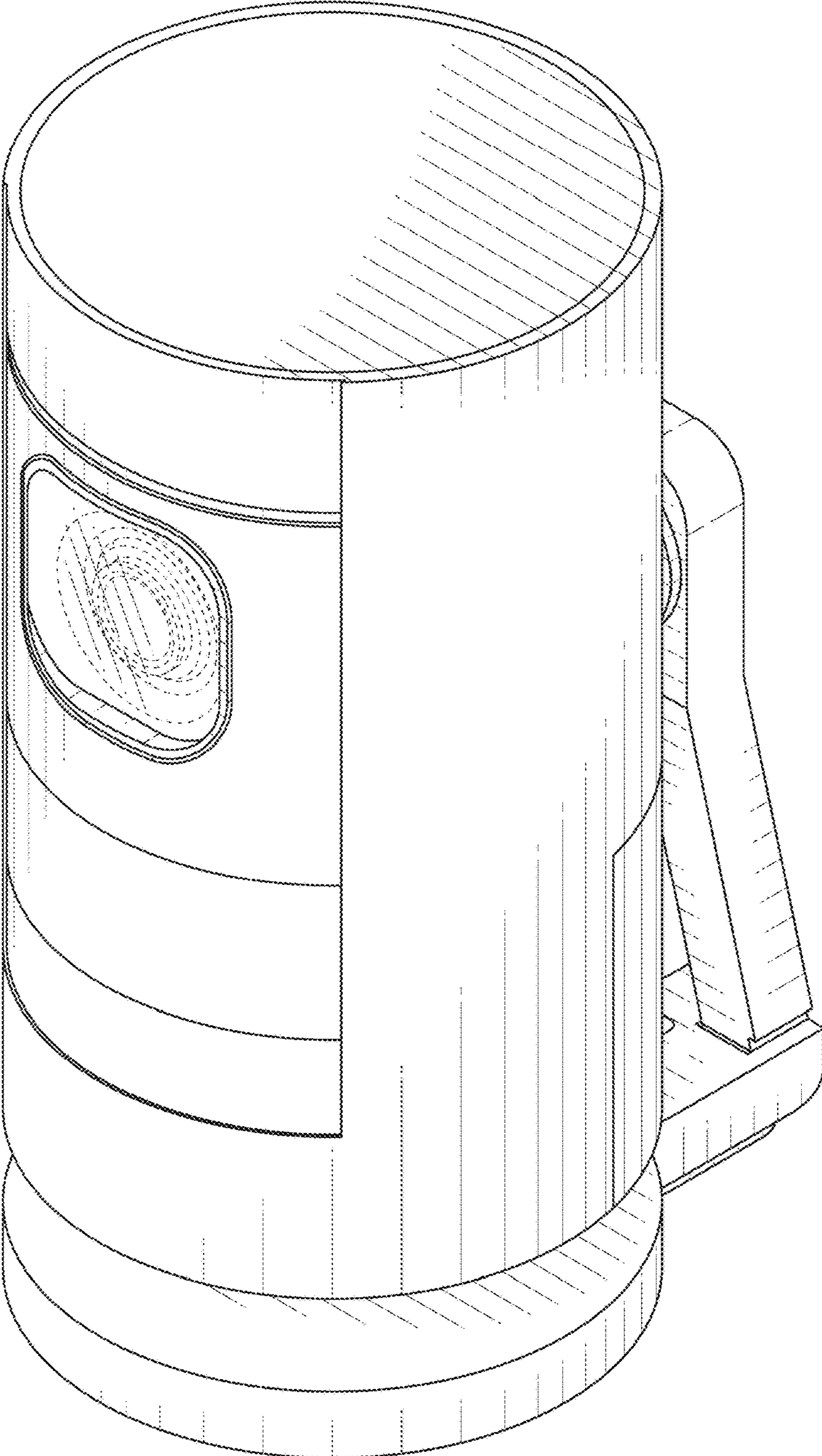


FIG. 9

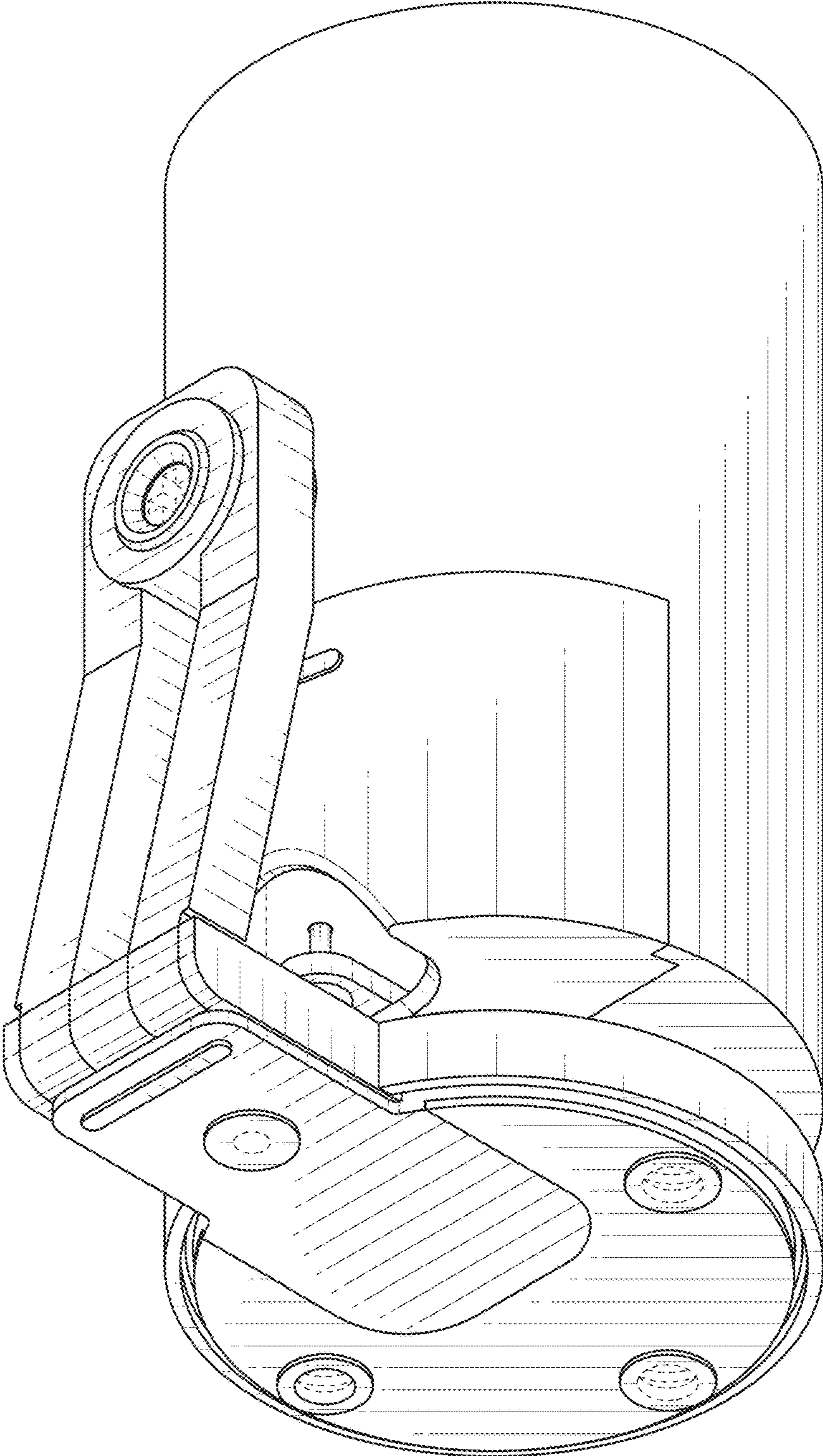


FIG. 10

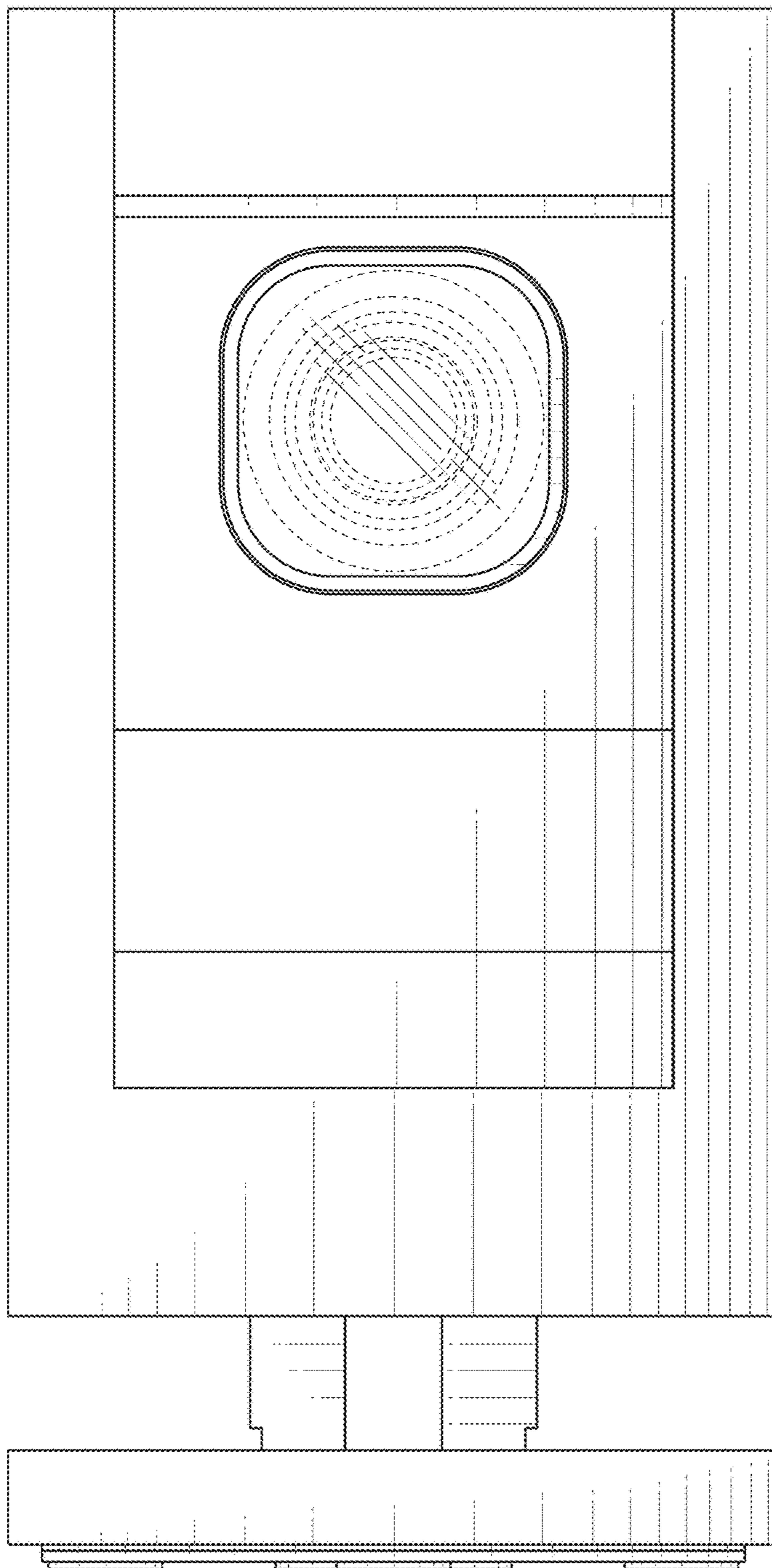


FIG. 11

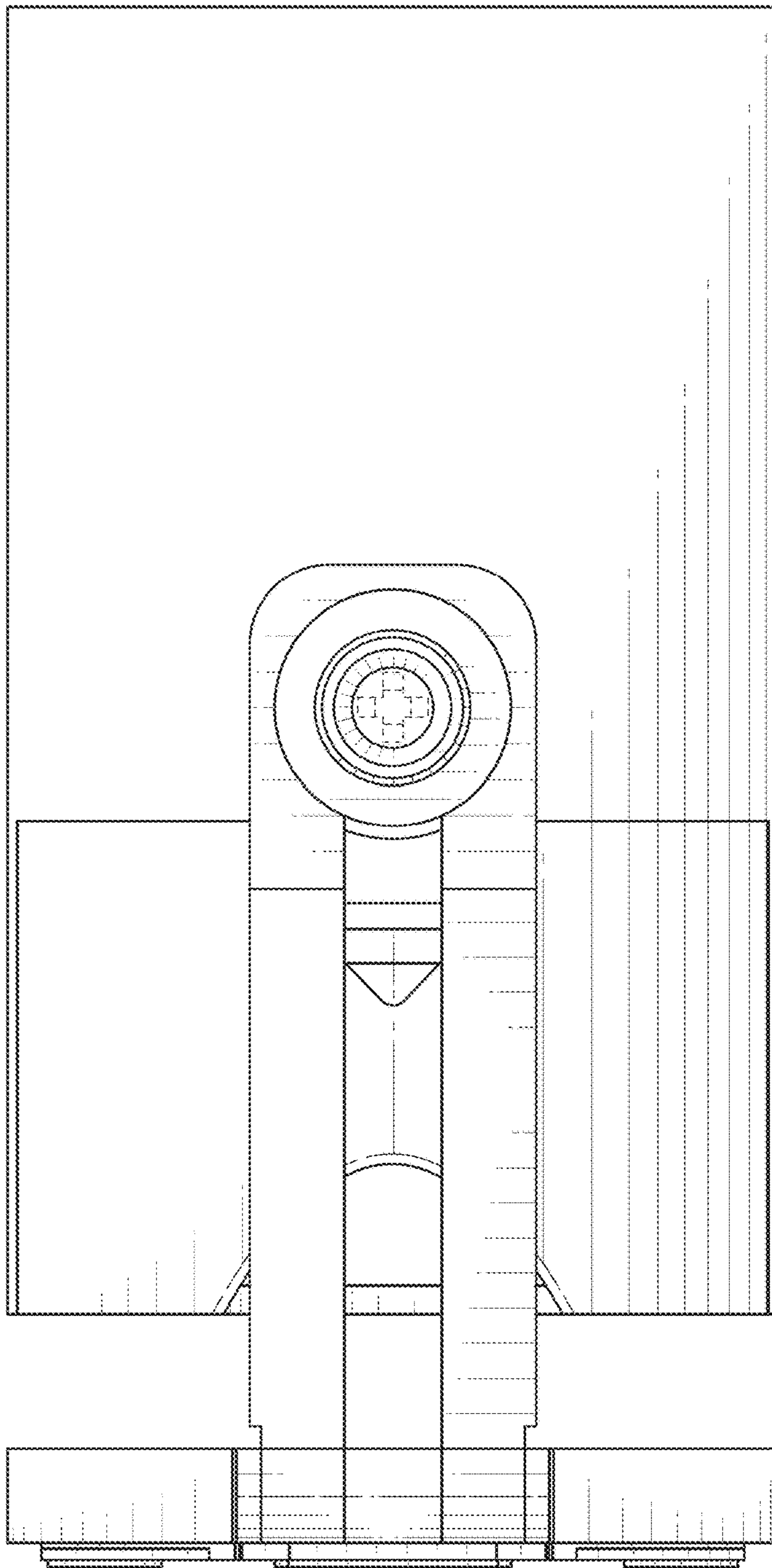


FIG. 12

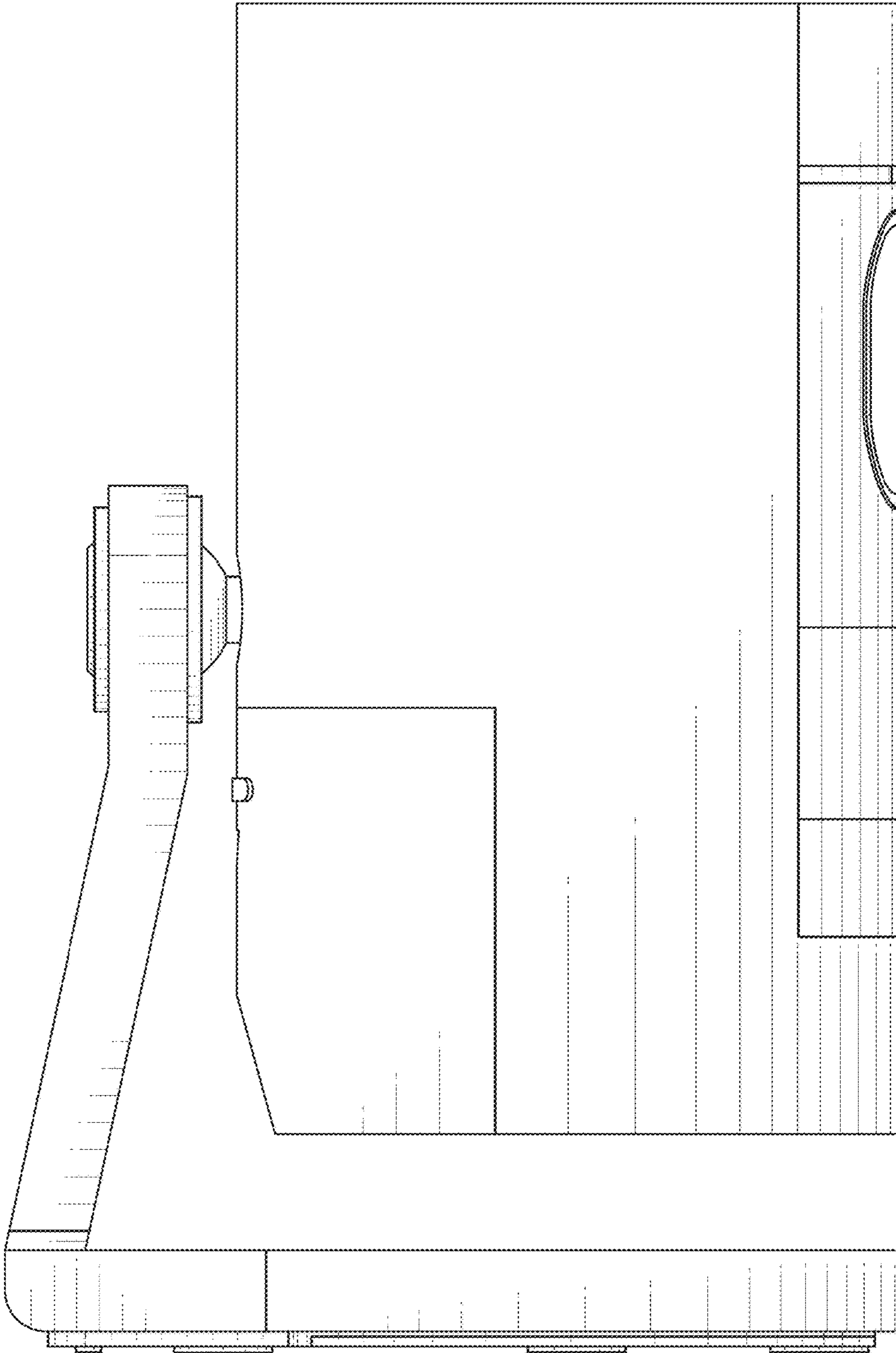


FIG. 13

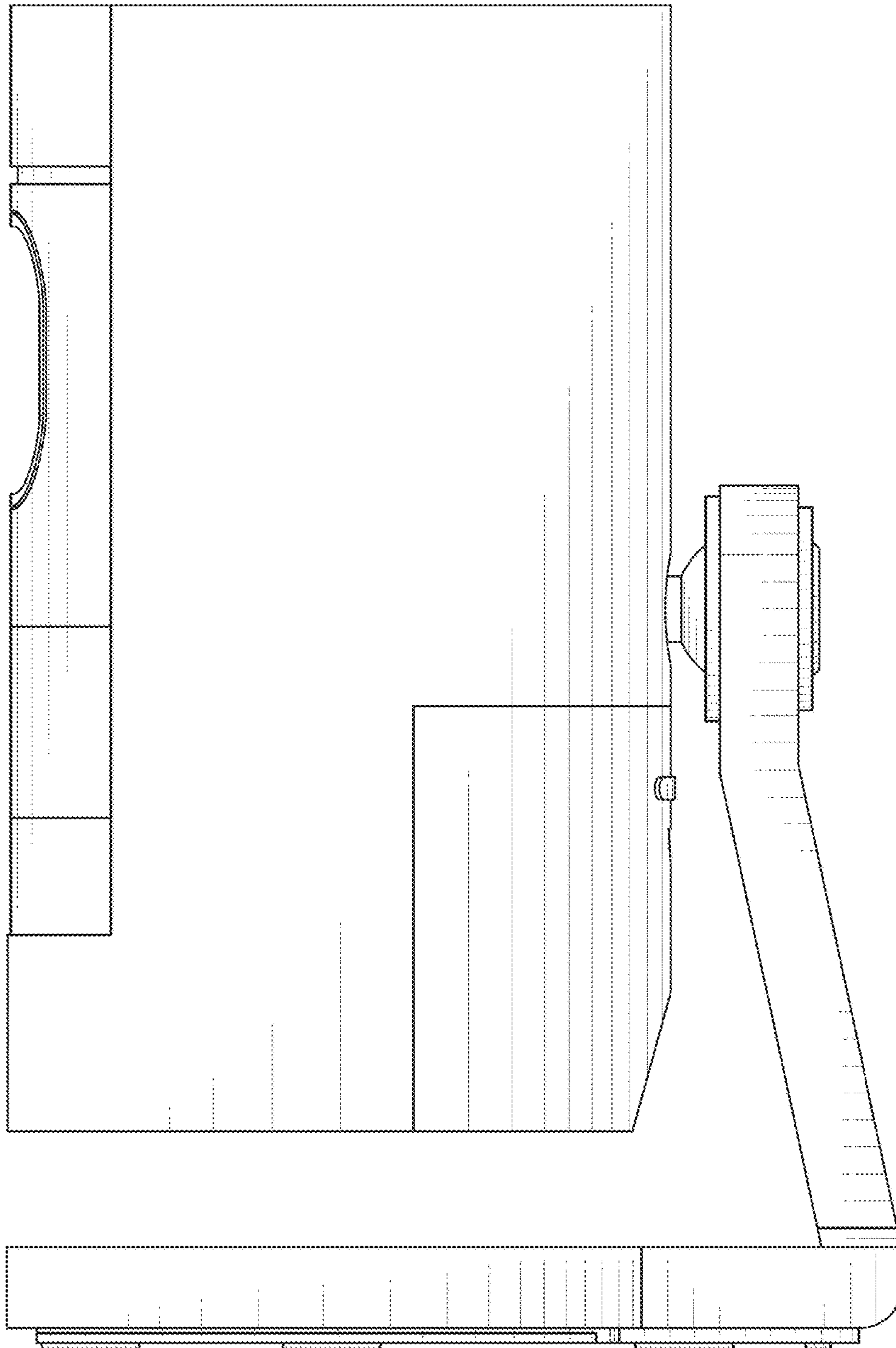


FIG. 14

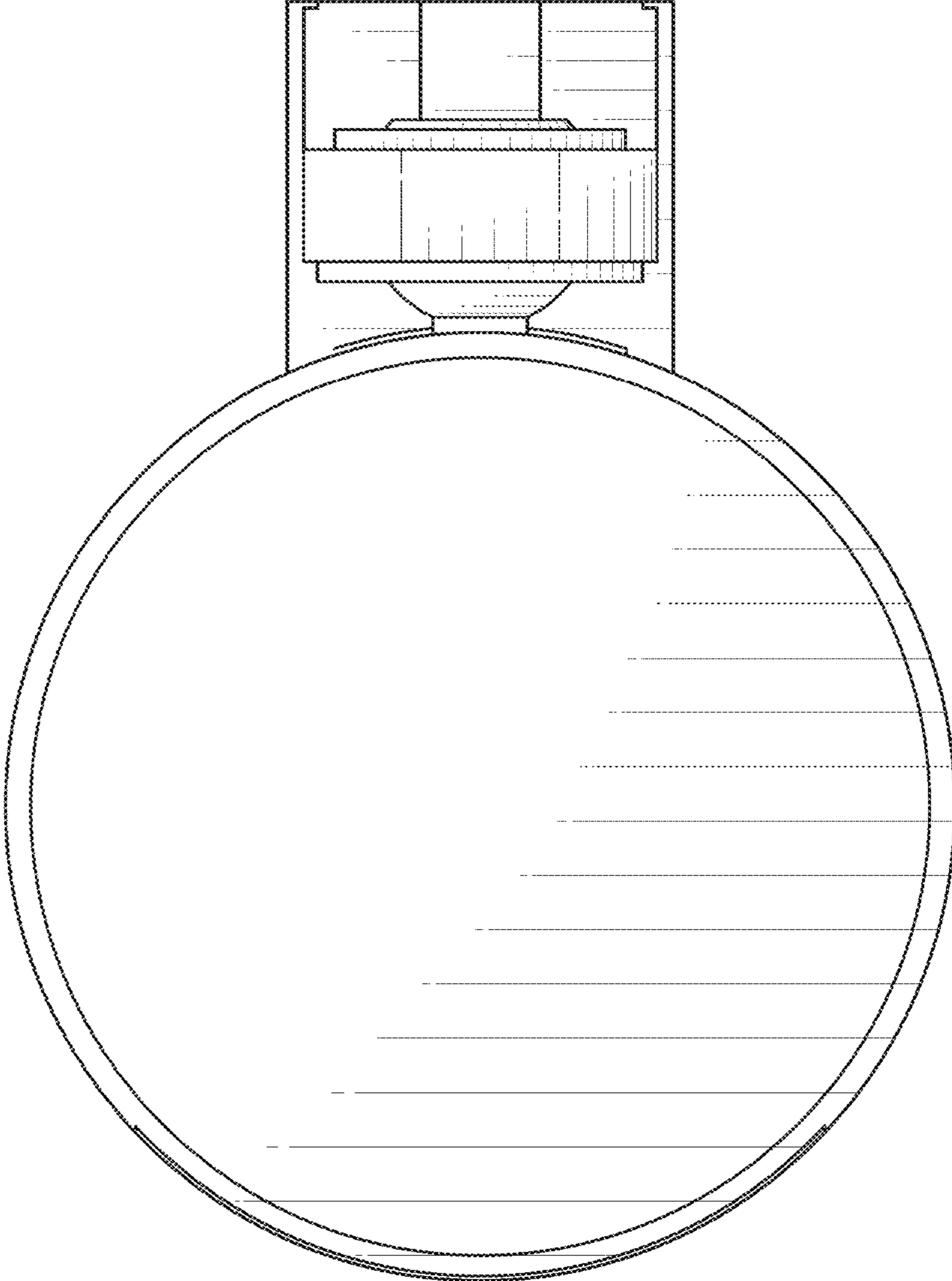


FIG. 15

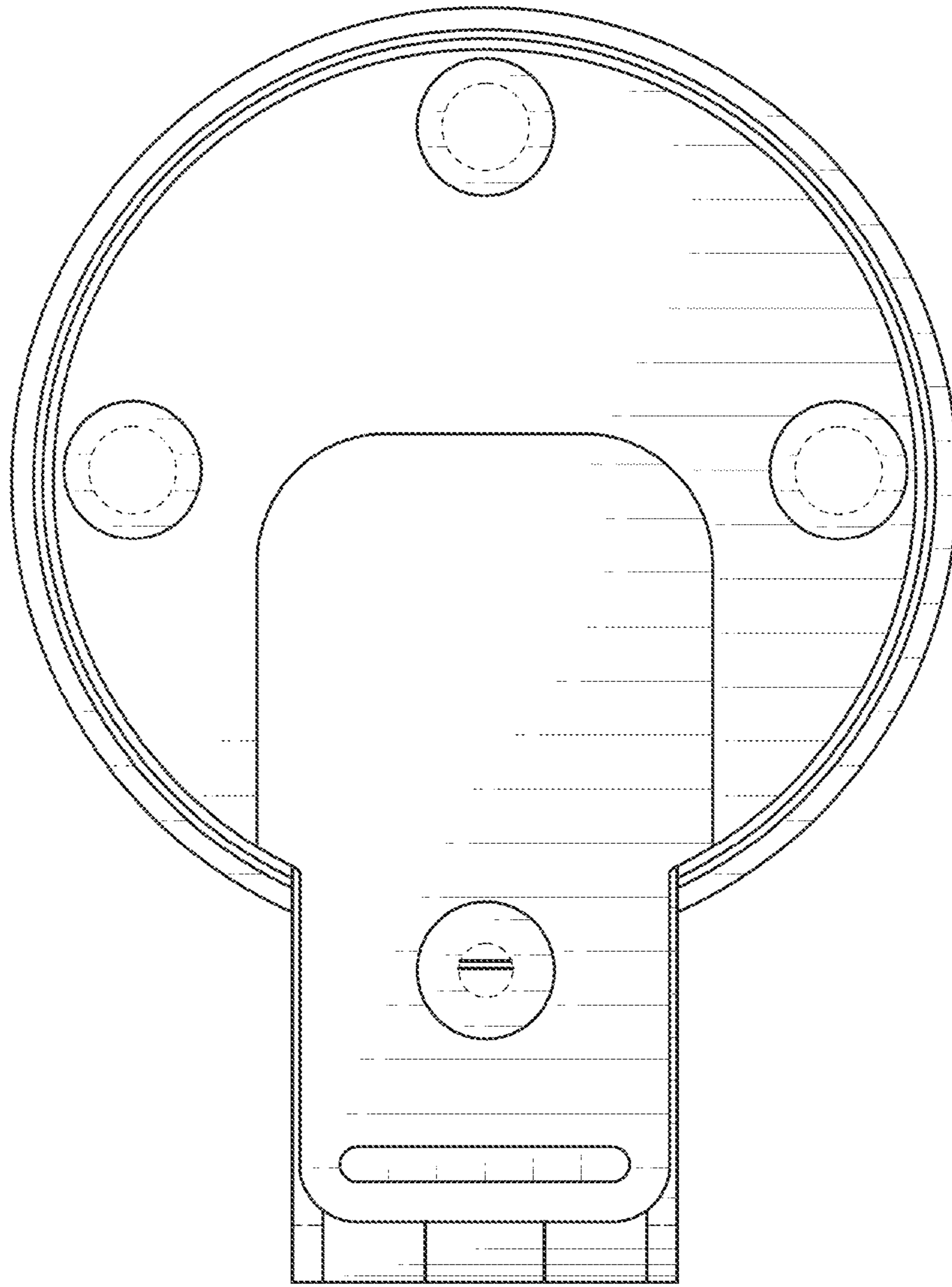


FIG. 16