



US00D865023S

(12) **United States Design Patent**  
**Chen**

(10) **Patent No.:** **US D865,023 S**

(45) **Date of Patent:** **\*\* Oct. 29, 2019**

(54) **HUNTING CAMERA**

(71) Applicant: **SHENZHEN GD DIGITAL LIMITED**, Shenzhen (CN)

(72) Inventor: **Zhujun Chen**, Shenzhen (CN)

(73) Assignee: **SHENZHEN GD DIGITAL LIMITED**, Shenzhen (CN)

(\*\*) Term: **15 Years**

(21) Appl. No.: **29/631,439**

(22) Filed: **Dec. 29, 2017**

(51) **LOC (12) Cl.** ..... **16-01**

(52) **U.S. Cl.**  
USPC ..... **D16/203**

(58) **Field of Classification Search**  
USPC ..... D16/200–220, 131, 237, 242, 239, 250,  
D16/235, 130, 134, 136, 238;  
D14/138 C, 240, 248, 203.1, 203.3,  
D14/203.7; D10/104.1, 50, 65, 74, 70,  
D10/118.2  
CPC ... G02B 7/02; G02B 7/04; G02B 7/14; G02B  
3/14; G03B 17/00; G03B 17/02; G03B  
17/56; G03B 17/04; G03B 17/14; G03B  
15/03; G03B 9/08; H04N 5/2251; H04N  
5/2252; H04N 5/2253; H04N 5/2254;  
H04N 7/00; H04N 2101/00; F16M 13/00  
See application file for complete search history.

(56) **References Cited**

**U.S. PATENT DOCUMENTS**

D183,540 S \* 9/1958 Palma, Jr. .... D16/209  
D187,563 S \* 3/1960 Someha ..... D16/209  
D193,590 S \* 9/1962 Dreyfuss et al. .... D16/219  
D297,136 S \* 8/1988 Collins ..... D10/75  
D335,765 S \* 5/1993 VanSkiver ..... D3/268  
D538,188 S \* 3/2007 Liu ..... D10/70  
D594,360 S \* 6/2009 Aglassinger ..... D10/70  
D622,749 S \* 8/2010 Lian ..... D16/203  
D628,614 S \* 12/2010 Barley ..... D16/203

D630,236 S \* 1/2011 Lian ..... D16/203  
D716,160 S \* 10/2014 Burkandt ..... D10/78  
D719,935 S \* 12/2014 Diamond ..... D14/218  
9,871,959 B1 \* 1/2018 Hlatky ..... H04N 5/23206  
D820,338 S \* 6/2018 Wu ..... D16/203  
D828,427 S \* 9/2018 Wu ..... D16/203  
D828,432 S \* 9/2018 Luo ..... D16/237

(Continued)

**FOREIGN PATENT DOCUMENTS**

CN 302695323 \* 12/2013  
CN 303532614 \* 12/2015

(Continued)

**OTHER PUBLICATIONS**

2 High Power IR Leds Waterproof Deer Hunting Video Night Vision Camera, date unknown [online], [retrieved Jun. 8, 2019], Available from Internet, URL: [https://www.alibaba.com/product-detail/2-High-Power-IR-LEDs-Waterproof\\_60776175183.html?spm=a2700.7724857.normalList.37.6b623390YMCmJp.\\*](https://www.alibaba.com/product-detail/2-High-Power-IR-LEDs-Waterproof_60776175183.html?spm=a2700.7724857.normalList.37.6b623390YMCmJp.*)

*Primary Examiner* — Barbara Fox  
*Assistant Examiner* — Mary Claire Ramirez  
(74) *Attorney, Agent, or Firm* — WPAT, PC

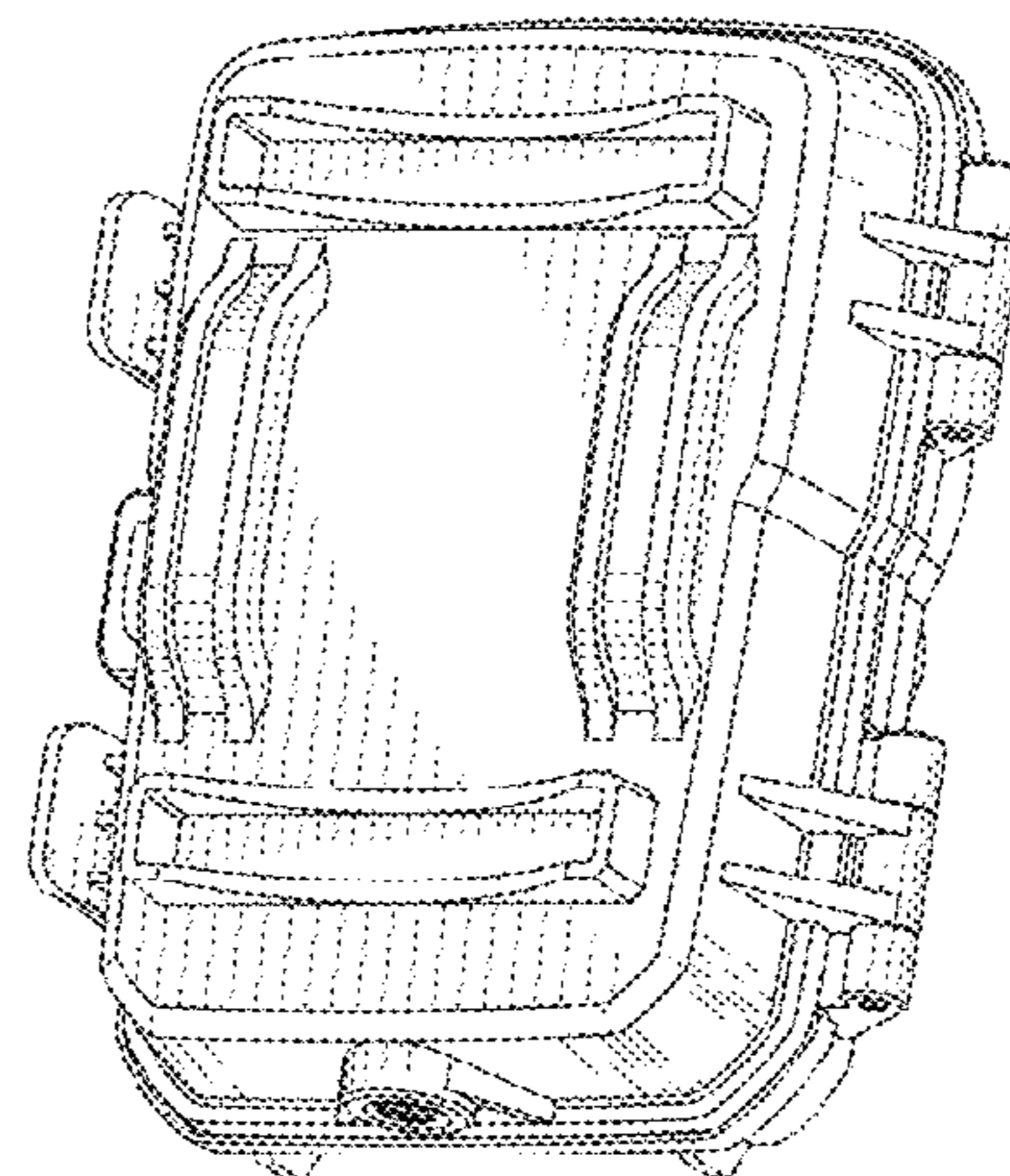
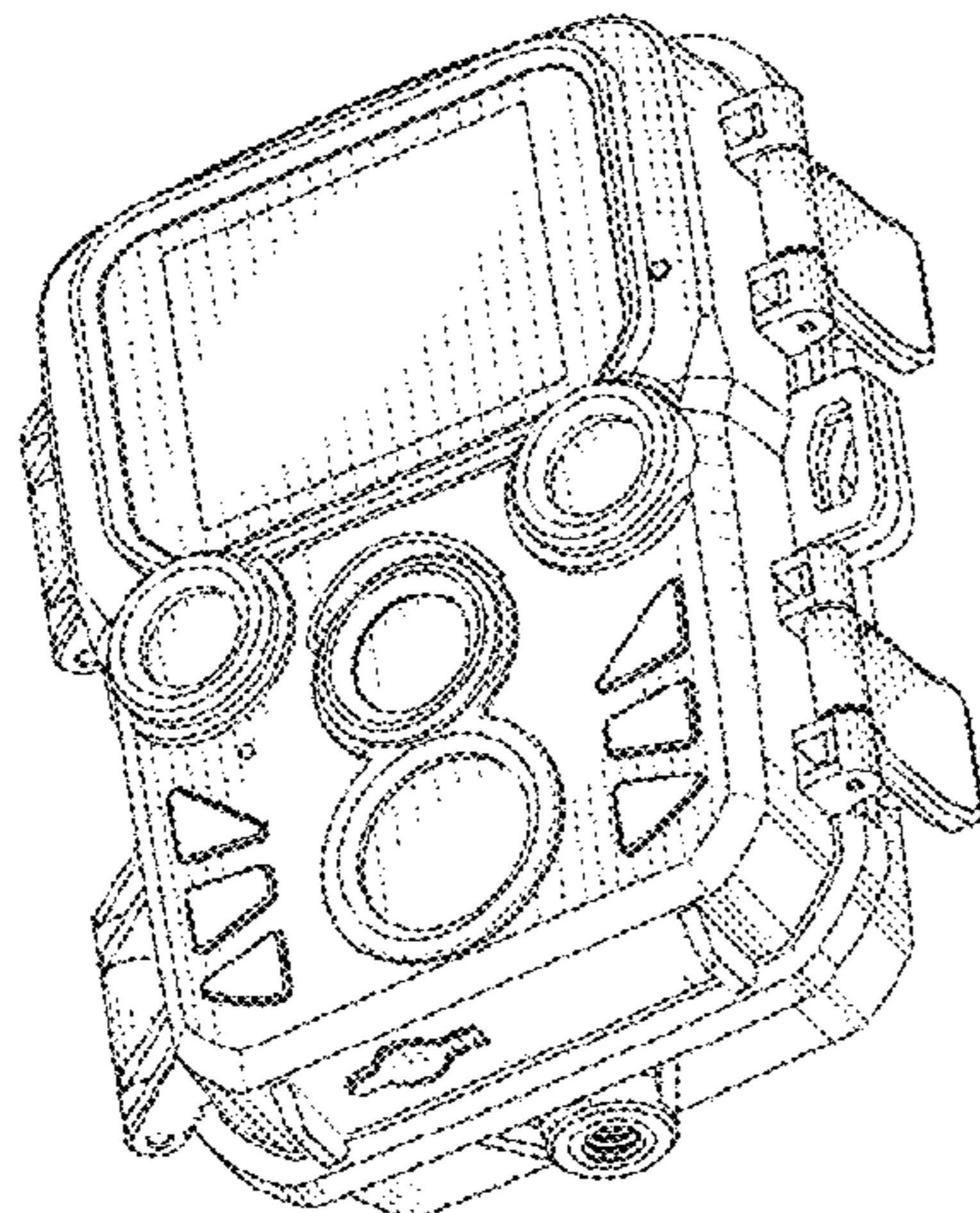
(57) **CLAIM**

The ornamental design for a hunting camera, as shown and described.

**DESCRIPTION**

FIG. 1 is a perspective view of a hunting camera, showing my new design;  
FIG. 2 is a another perspective view thereof;  
FIG. 3 is a front view thereof;  
FIG. 4 is a rear view thereof;  
FIG. 5 is a left-side view thereof;  
FIG. 6 is a right-side view thereof;  
FIG. 7 is a top view thereof; and,  
FIG. 8 is a bottom view thereof.

**1 Claim, 8 Drawing Sheets**



(56)

**References Cited**

U.S. PATENT DOCUMENTS

D833,506 S \* 11/2018 Chen ..... D16/218  
D848,509 S \* 5/2019 Lee ..... D16/218  
2007/0019941 A1\* 1/2007 Cross ..... F16M 11/10  
396/263  
2008/0151055 A1\* 6/2008 Elsemore ..... A01M 31/002  
348/155  
2014/0098256 A1\* 4/2014 Cuddeback ..... G08B 13/19652  
348/211.2  
2018/0041736 A1\* 2/2018 Gagnon ..... H02J 7/35

FOREIGN PATENT DOCUMENTS

CN 303670710 \* 5/2016  
CN 304081971 \* 3/2017  
EM 003861046-0002 \* 5/2017  
EM 004567204-0001 \* 1/2018

\* cited by examiner

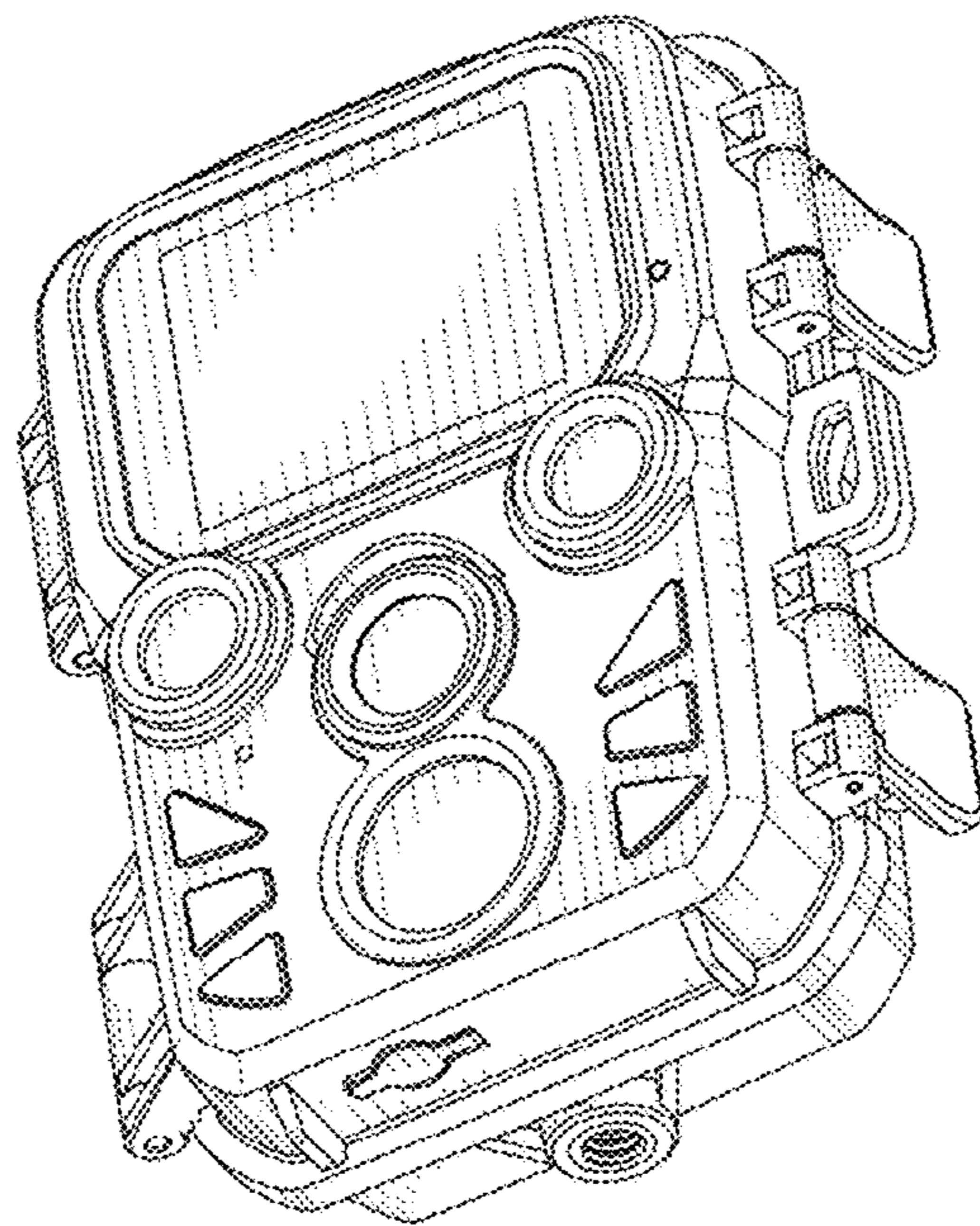


FIG. 1





FIG. 2

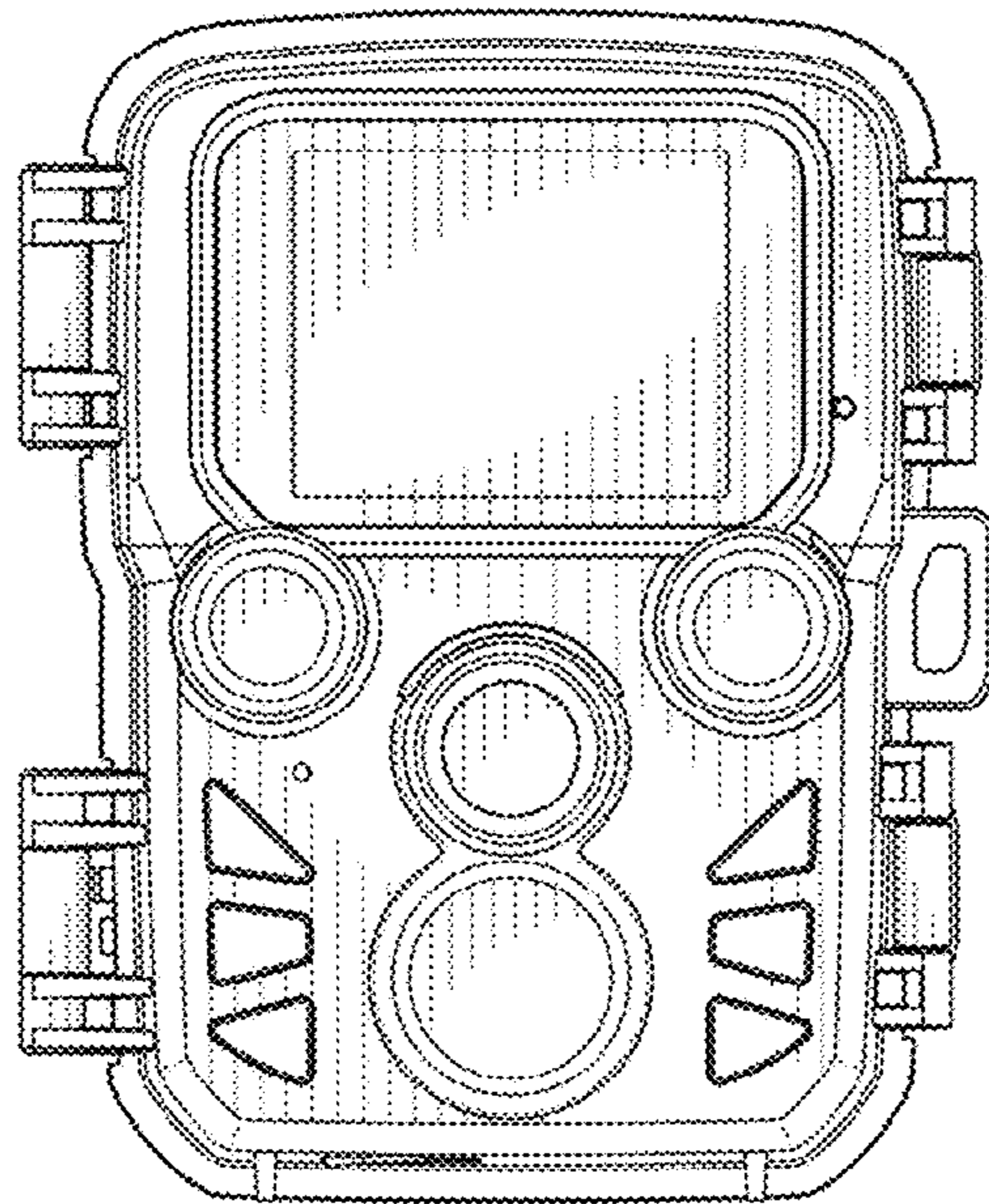


FIG. 3

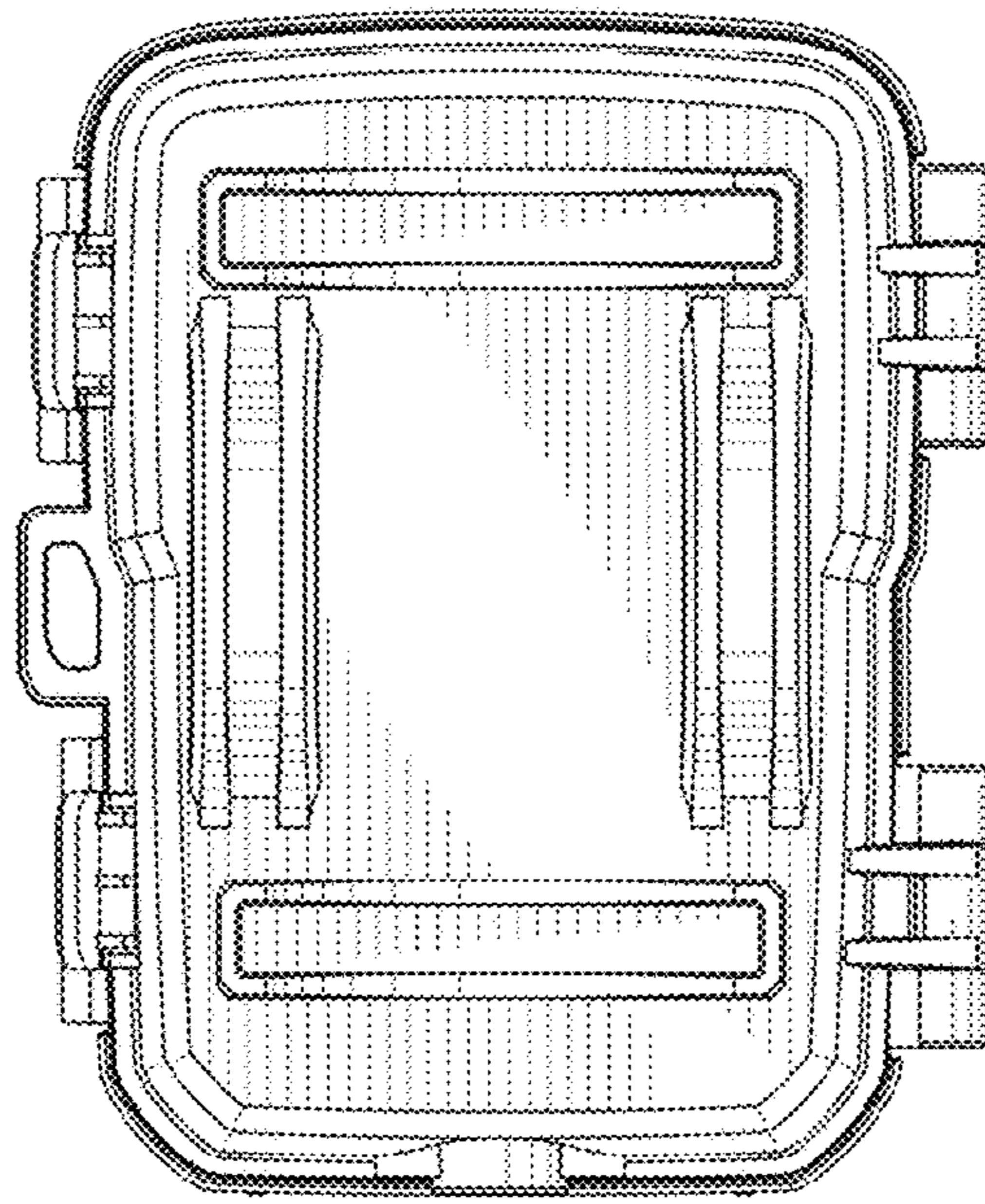


FIG. 4

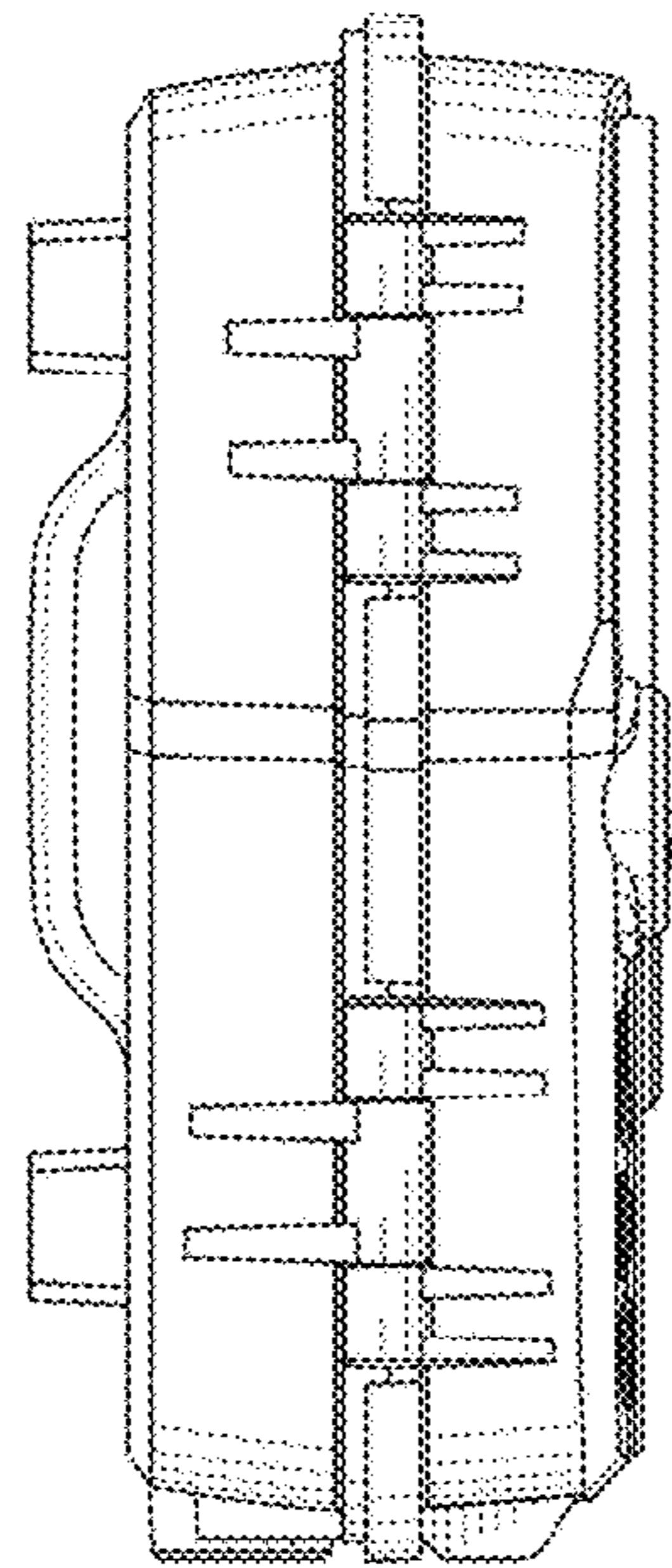


FIG. 5

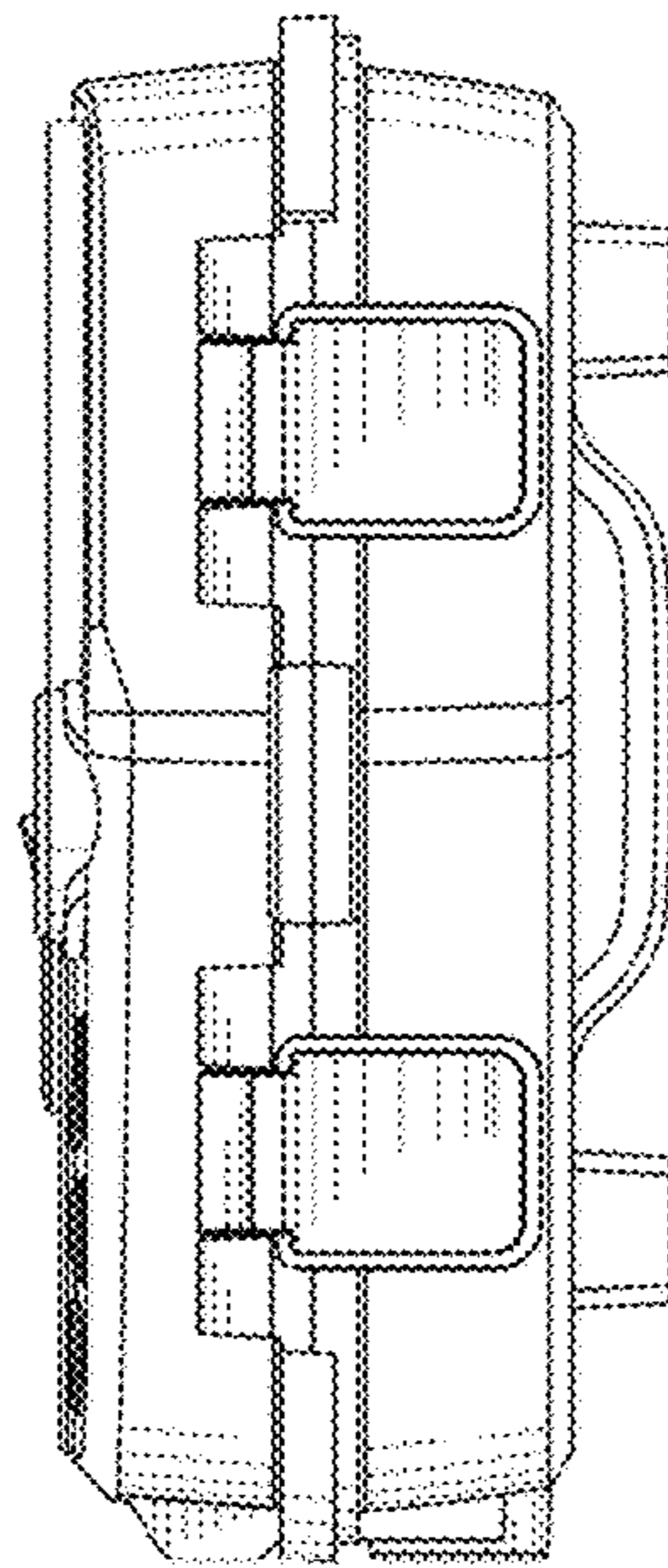


FIG. 6



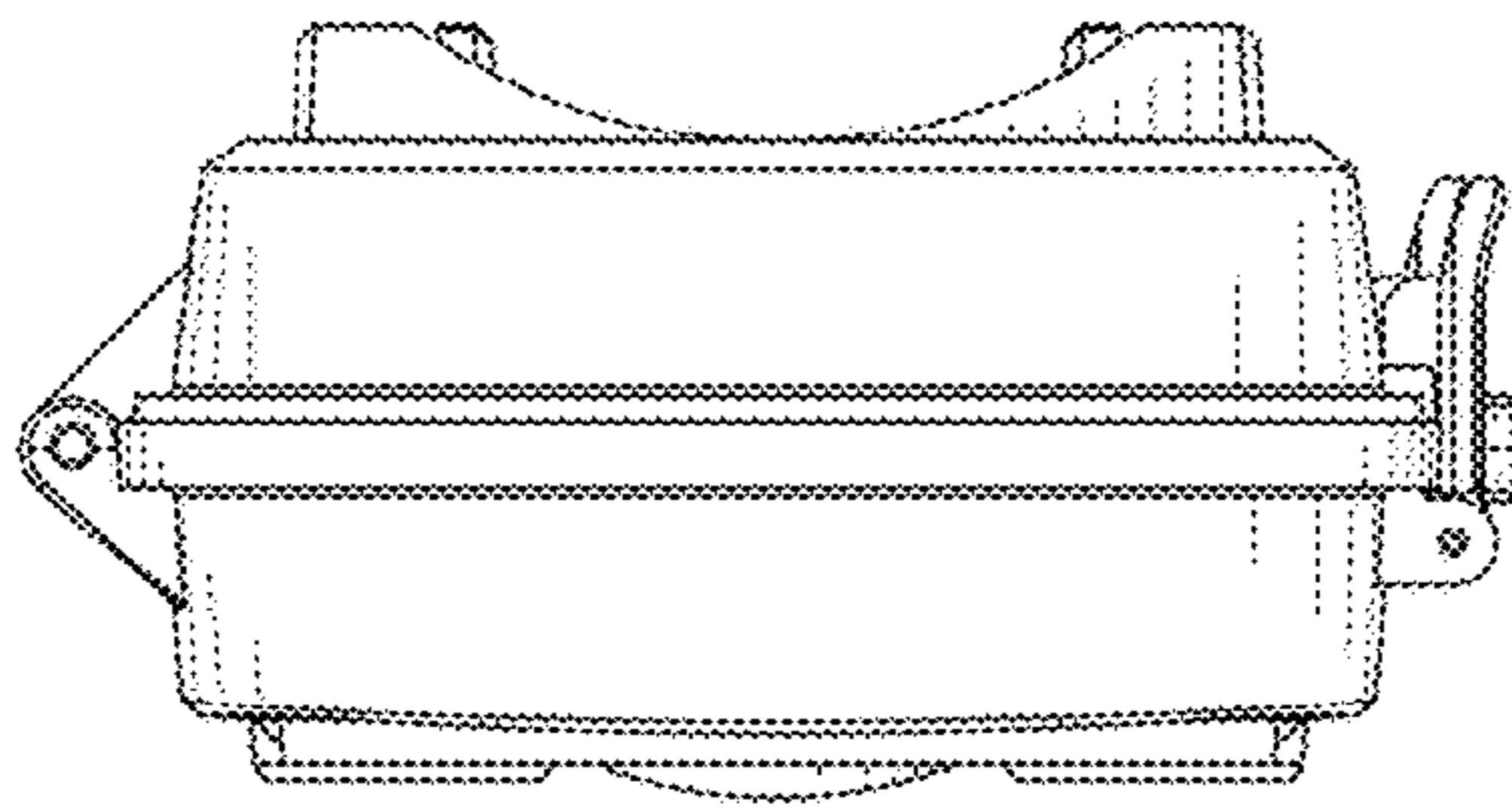


FIG. 7

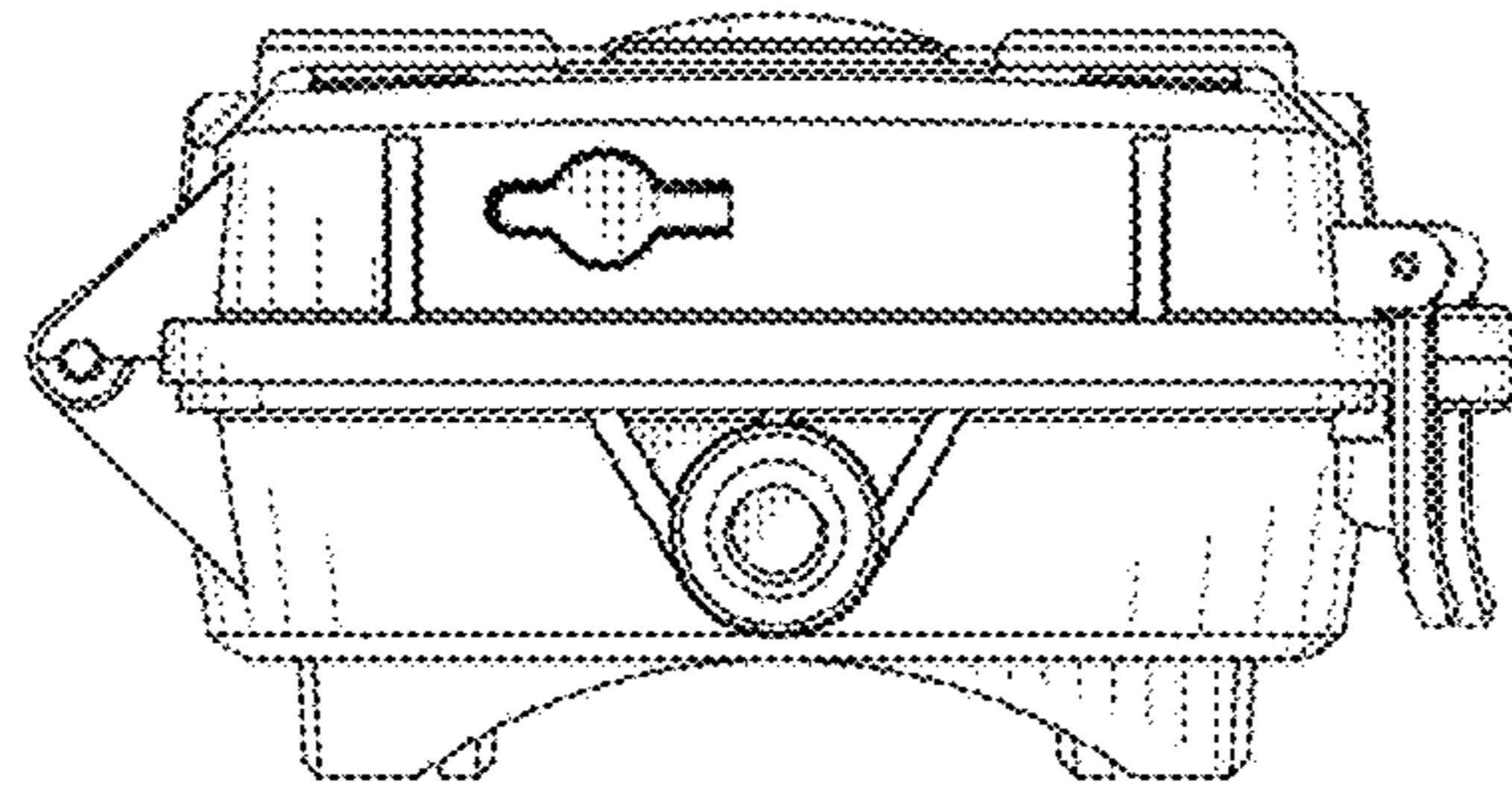


FIG. 8