



US00D865021S

(12) **United States Design Patent**  
**Hu**

(10) **Patent No.:** **US D865,021 S**

(45) **Date of Patent:** **\*\* Oct. 29, 2019**

(54) **ROBOT**

(71) Applicants: **BEIJING JINGDONG SHANGKE INFORMATION TECHNOLOGY CO, LTD.**, Beijing (CN); **BEIJING JINGDONG CENTURY TRADING CO., LTD.**, Beijing (CN)

(72) Inventor: **Jinxing Hu**, Beijing (CN)

(73) Assignees: **BEIJING JINGDONG SHANGKE INFORMATION TECHNOLOGY CO., LTD.** (CN); **BEIJING JINGDONG CENTURY TRADING CO., LTD.** (CN)

(\*\*) Term: **15 Years**

(21) Appl. No.: **29/623,249**

(22) Filed: **Oct. 24, 2017**

(30) **Foreign Application Priority Data**

Apr. 24, 2017 (CN) ..... 2017 3 0140416

(51) **LOC (12) Cl.** ..... **15-99**

(52) **U.S. Cl.**  
USPC ..... **D15/199**

(58) **Field of Classification Search**  
USPC ..... D15/199; D21/578-583, 621, 622; D32/21  
CPC ..... B25J 5/007; B25J 9/1664; B25J 9/1684; B25J 13/089; B60B 19/006; B62D 57/024; H01F 7/0221; Y10S 901/01  
See application file for complete search history.

(56) **References Cited**

**U.S. PATENT DOCUMENTS**

4,137,984 A \* 2/1979 Jennings ..... B62D 1/28 180/168  
4,962,453 A \* 10/1990 Pong, Jr. .... A47L 11/4011 180/167

D451,931 S \* 12/2001 Abramson ..... D15/14  
D527,854 S \* 9/2006 Marzynski ..... D15/199  
D691,337 S \* 10/2013 Kim ..... D32/21  
D704,400 S \* 5/2014 Shin ..... D32/21  
D720,510 S \* 12/2014 Shin ..... D32/21  
D720,511 S \* 12/2014 Shin ..... D32/21  
D743,647 S \* 11/2015 Heck ..... D32/21  
D748,878 S \* 2/2016 Dooley ..... D32/21  
D781,955 S \* 3/2017 Kim ..... D18/50  
D810,799 S \* 2/2018 Sokuza ..... D15/199  
D812,663 S \* 3/2018 Waters ..... D15/199  
D832,372 S \* 10/2018 Huang ..... D21/578  
2005/0144904 A1 \* 7/2005 Veltkamp ..... E04B 1/803 52/782.1

**OTHER PUBLICATIONS**

U.S. Appl. No. 29/596,555, filed Mar. 9, 2017. (Unpublished).

\* cited by examiner

*Primary Examiner* — Patricia A Palasik

(74) *Attorney, Agent, or Firm* — Saidman DesignLaw Group, LLC

(57) **CLAIM**

The ornamental design for a robot, as shown and described.

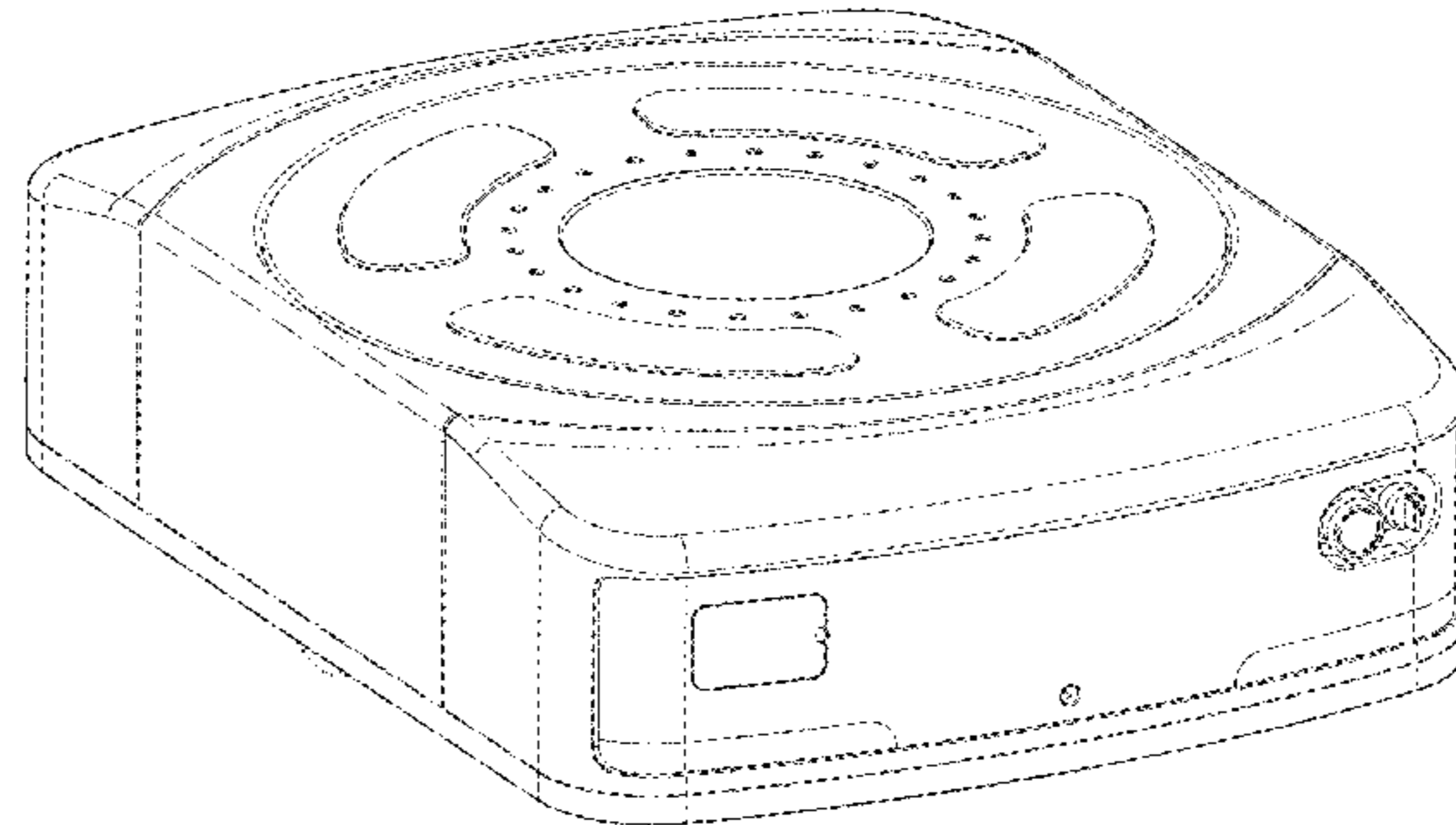
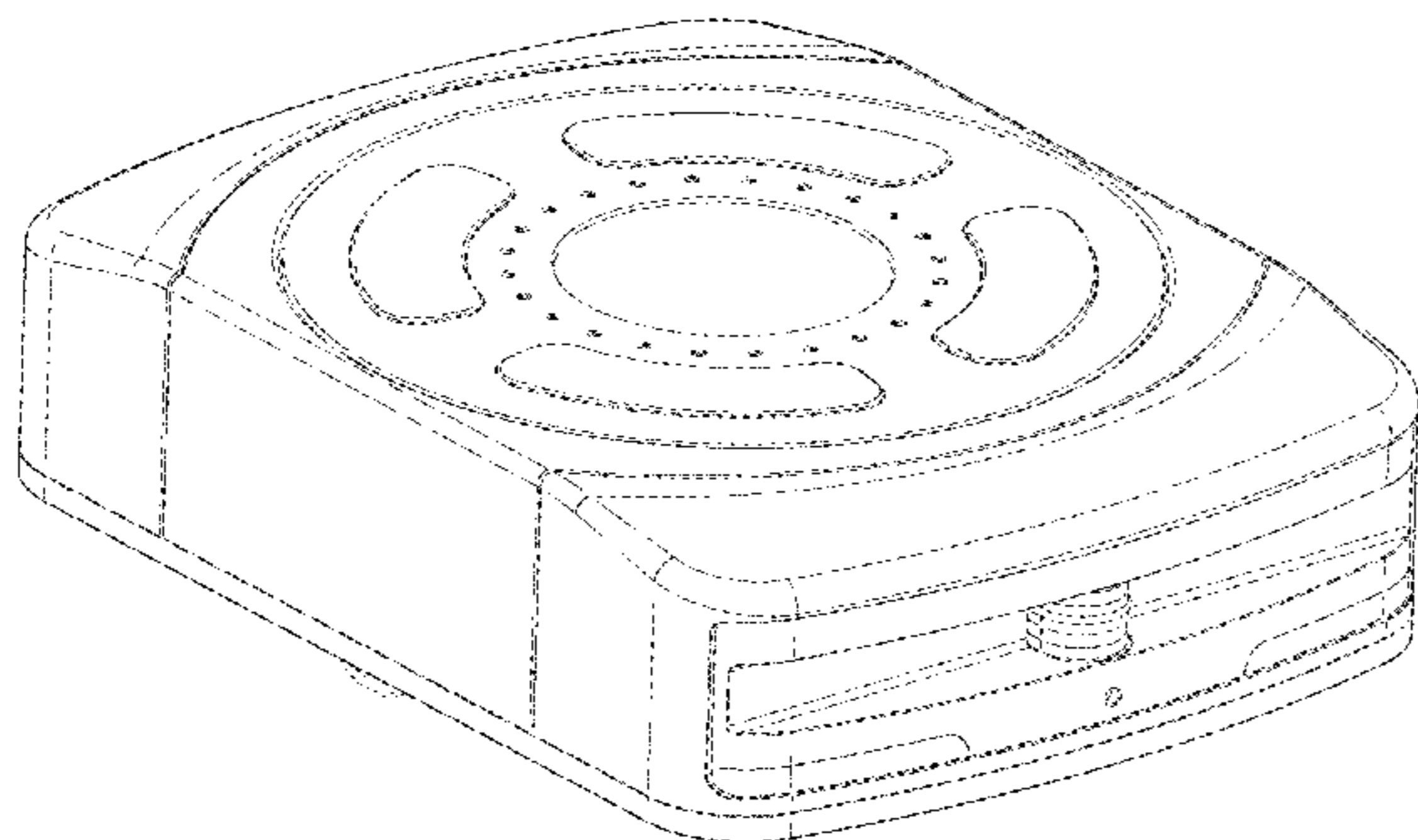
**DESCRIPTION**

FIG. 1 is a front perspective view of a robot showing my new design;  
FIG. 2 is a rear perspective view thereof;  
FIG. 3 is a front view thereof;  
FIG. 4 is a rear view thereof;  
FIG. 5 is a right side view thereof;  
FIG. 6 is a left side view thereof; and,  
FIG. 7 is a top view thereof.

The broken lines illustrate structure or features which form no part of the claimed design.

The drawings include CAD lines that illustrate contour and not surface decoration.

**1 Claim, 7 Drawing Sheets**



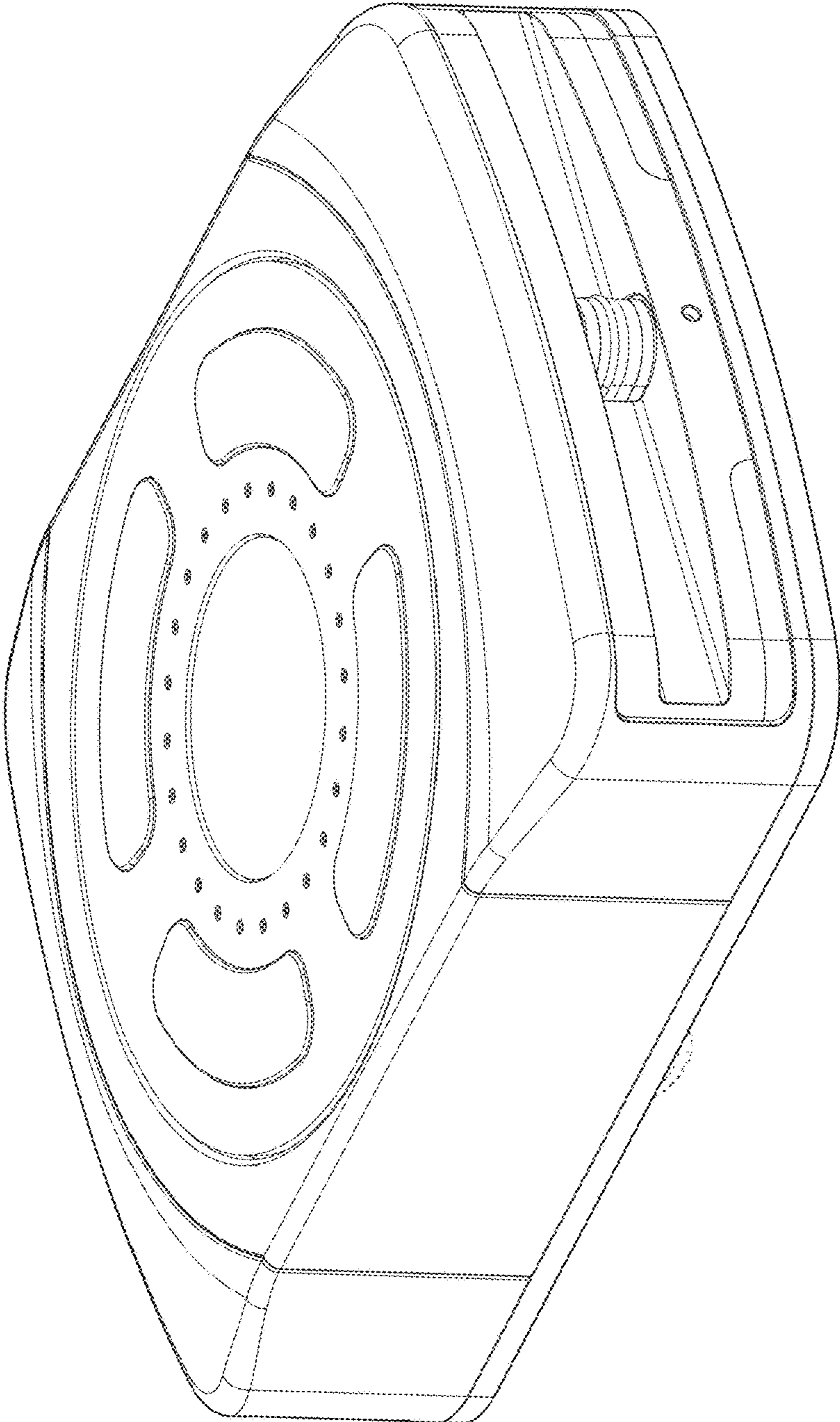


FIG. 1

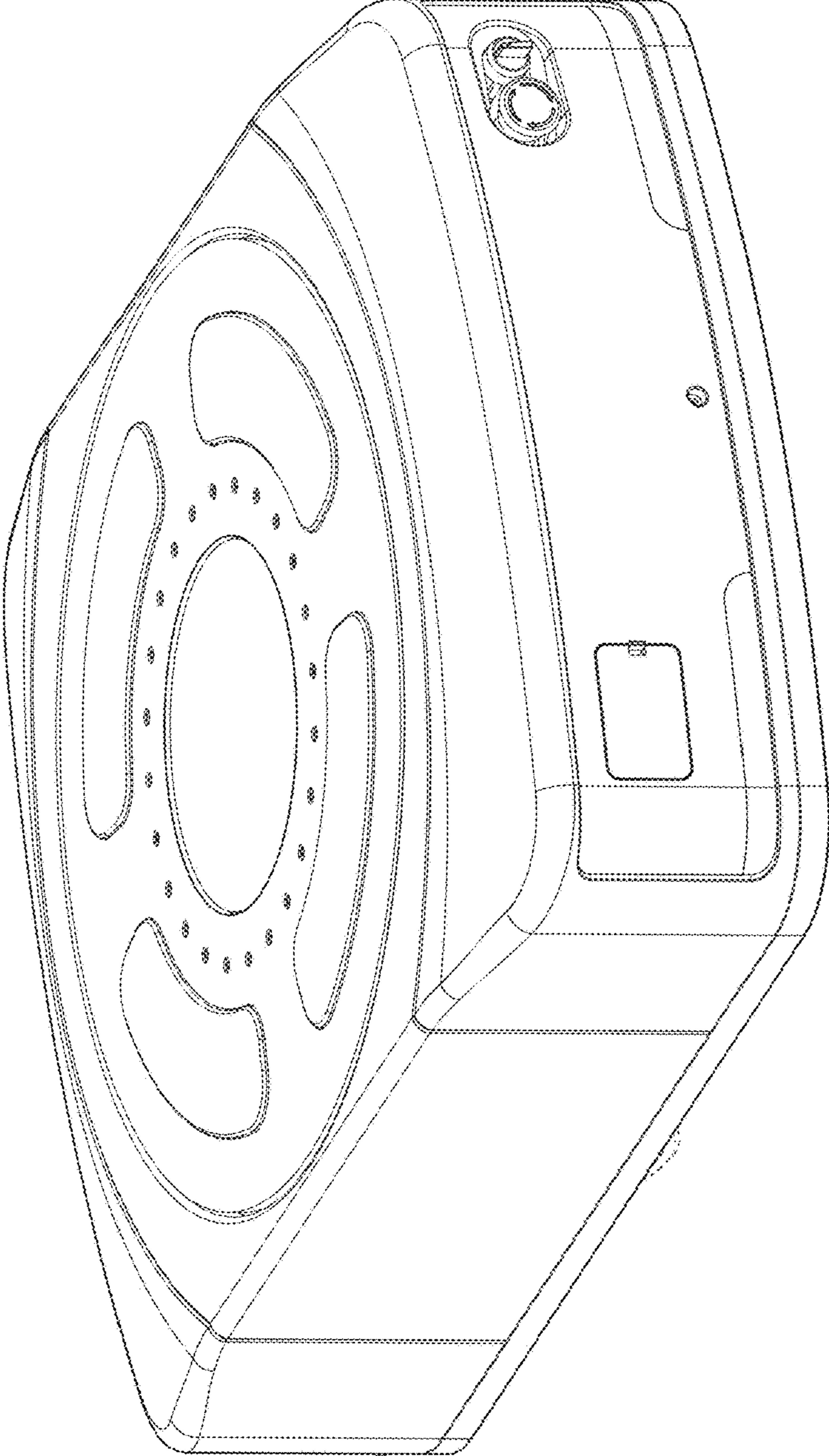


FIG. 2

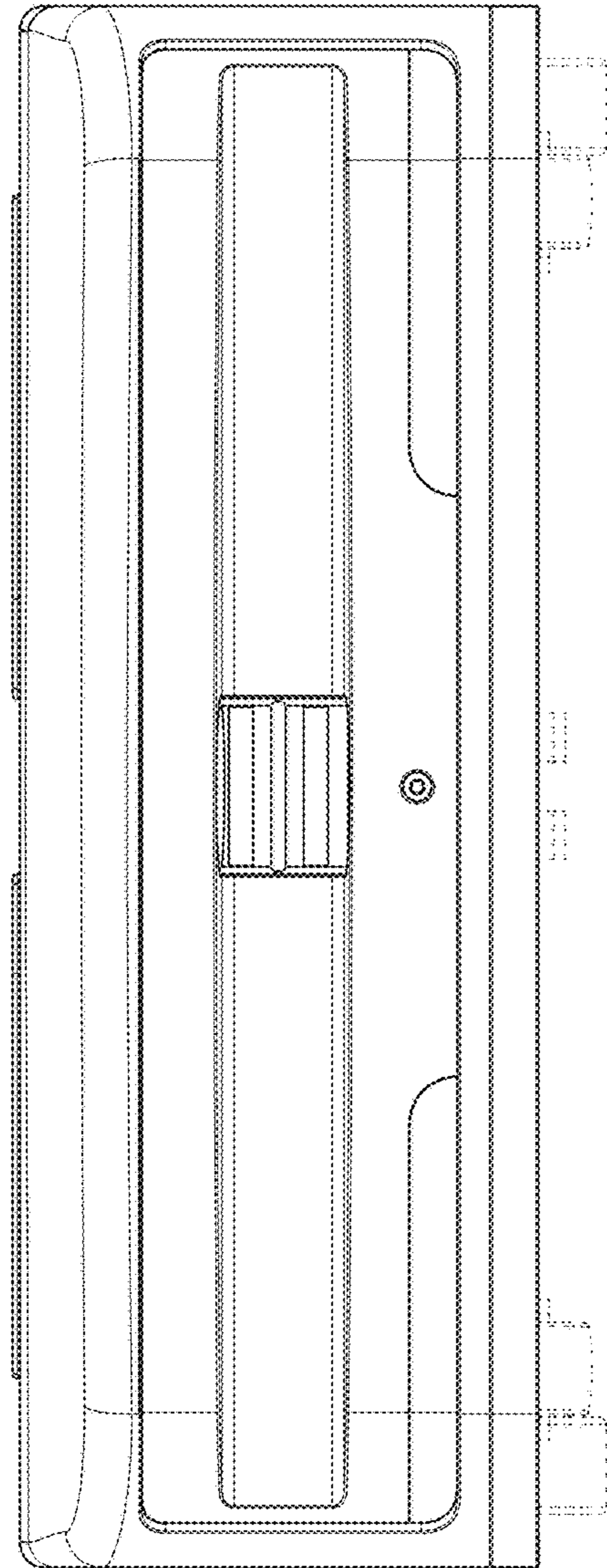


FIG. 3

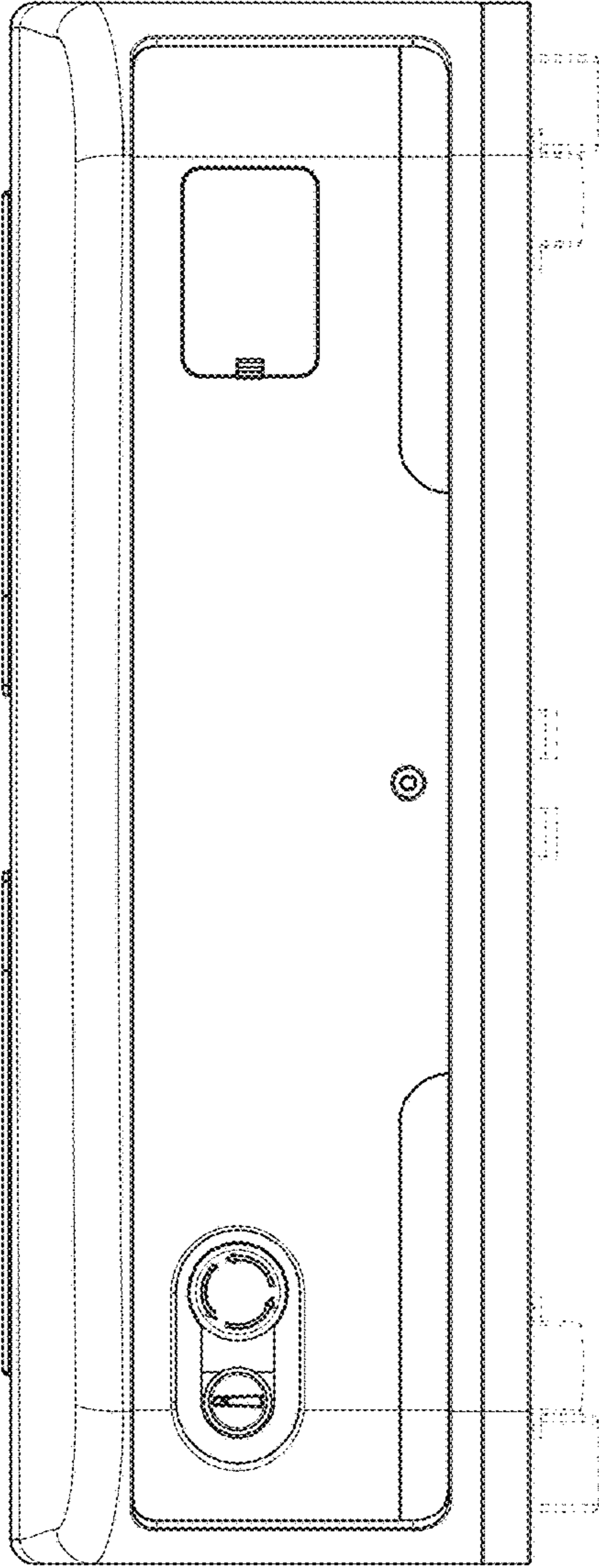


FIG. 4

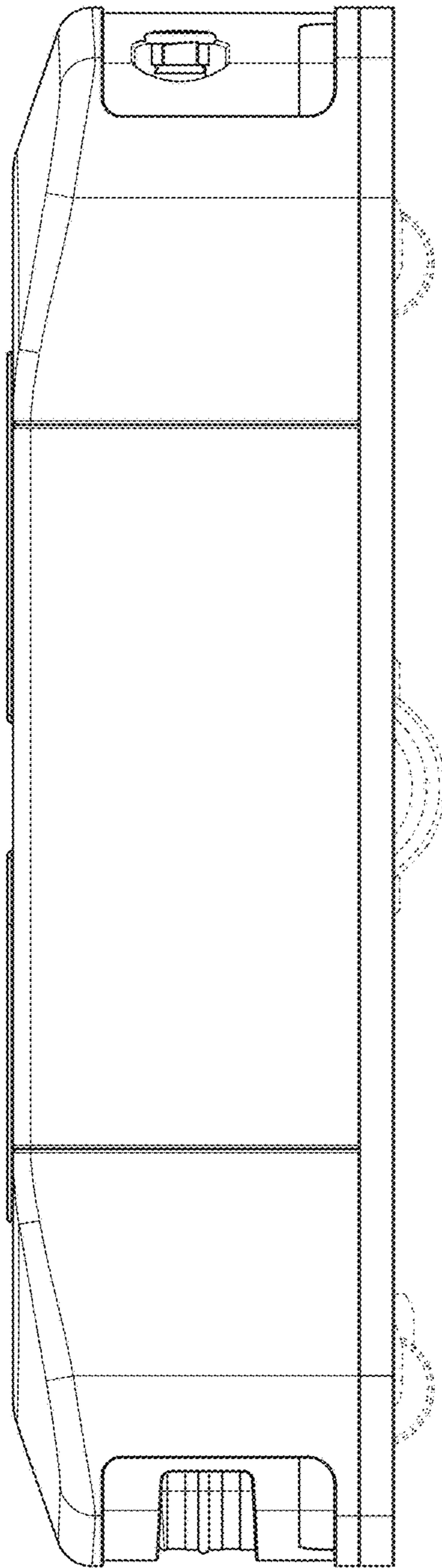


FIG. 5

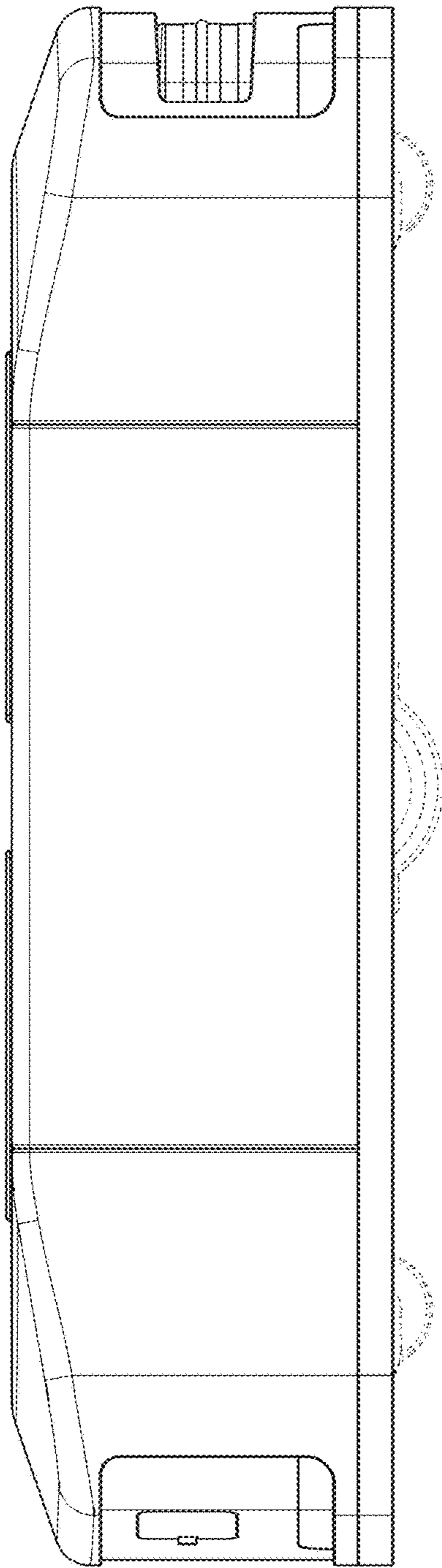


FIG. 6

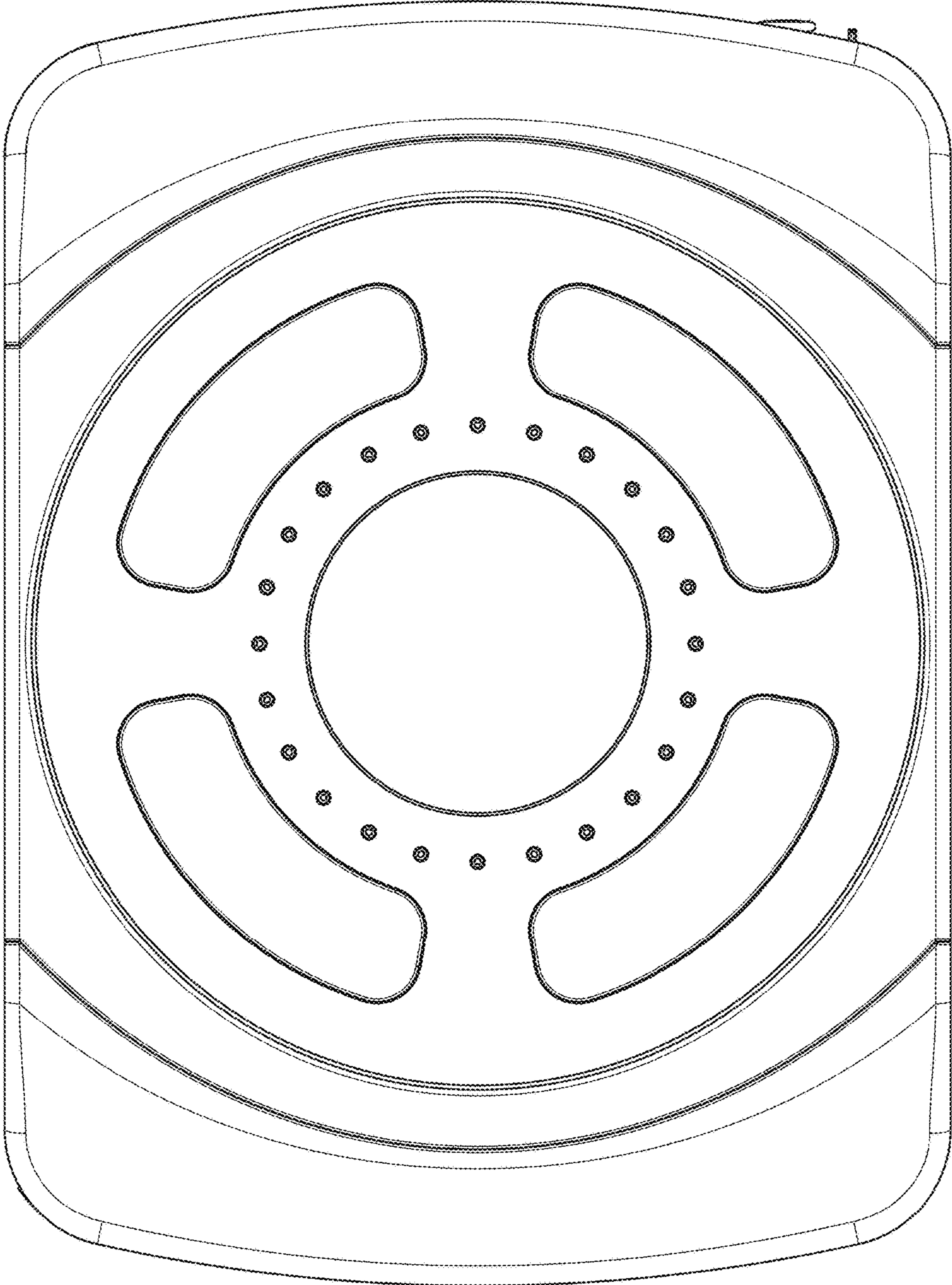


FIG. 7