



US00D865020S

(12) **United States Design Patent**  
**Gassner**

(10) **Patent No.:** **US D865,020 S**

(45) **Date of Patent:** **\*\* Oct. 29, 2019**

(54) **ACTUATOR**

(71) Applicant: **LIMOSS (SHENZHEN) CO., LTD.**,  
Shenzhen, Guangdong (CN)

(72) Inventor: **Christian Gassner**, Guangdong (CN)

(73) Assignee: **LIMOSS (DONGGUAN) CO., LTD.**,  
Dongguan (CN)

(\*\*) Term: **15 Years**

(21) Appl. No.: **29/668,126**

(22) Filed: **Oct. 27, 2018**

(30) **Foreign Application Priority Data**

Sep. 18, 2018 (CN) ..... 2018 3 0525150

(51) **LOC (12) Cl.** ..... **15-09**

(52) **U.S. Cl.**  
USPC ..... **D15/148**

(58) **Field of Classification Search**

USPC ..... 13/158, 160; 15/143, 148, 199  
CPC ..... F15B 15/00; F15B 15/12; F15B 15/065;  
H02K 5/24; H02K 7/00; H02K 19/06;  
H02K 26/00; H02K 33/00; H02K 33/16;  
H02K 37/00

See application file for complete search history.

(56) **References Cited**

**U.S. PATENT DOCUMENTS**

D467,950 S	*	12/2002	Christensen	.....	D15/148
D514,146 S	*	1/2006	Haneball	.....	D15/143
D523,880 S	*	6/2006	Christensen	.....	D15/143
D589,991 S	*	4/2009	Chen	.....	D15/143
D595,753 S	*	7/2009	Tseng	.....	D15/143
D620,961 S	*	8/2010	Iversen	.....	D15/143
D632,321 S	*	2/2011	Wu	.....	D15/143
D635,600 S	*	4/2011	Wu	.....	D15/143

D646,310 S	*	10/2011	Lan	.....	D15/143
D686,257 S	*	7/2013	Wu	.....	D15/143
D695,798 S	*	12/2013	Wu	.....	D15/143
D695,799 S	*	12/2013	Landerholm	.....	D15/143
D719,595 S	*	12/2014	Landerholm	.....	D15/143
D767,656 S	*	9/2016	Wu	.....	D15/143
D776,729 S	*	1/2017	Wu	.....	D15/143
D785,061 S	*	4/2017	Gong	.....	D15/148
D785,062 S	*	4/2017	Gong	.....	D15/148
D792,490 S	*	7/2017	Lin	.....	D15/143
D800,195 S	*	10/2017	Lin	.....	D15/148
D819,100 S	*	5/2018	Lin	.....	D15/148
D839,937 S	*	2/2019	Zhuang	.....	D15/143
D851,147 S	*	6/2019	Knudsen	.....	D15/148
D852,248 S	*	6/2019	Zhuang	.....	D15/148

\* cited by examiner

*Primary Examiner* — Patricia A Palasik

(57) **CLAIM**

The ornamental design for an actuator, as shown and described.

**DESCRIPTION**

FIG. 1 is a front elevational view of an actuator showing my new design;

FIG. 2 is a rear elevational view thereof;

FIG. 3 is a left side view thereof;

FIG. 4 is a right side view thereof;

FIG. 5 is a top plan view thereof;

FIG. 6 is a bottom plan view thereof;

FIG. 7 is a top, front and left side perspective view thereof;

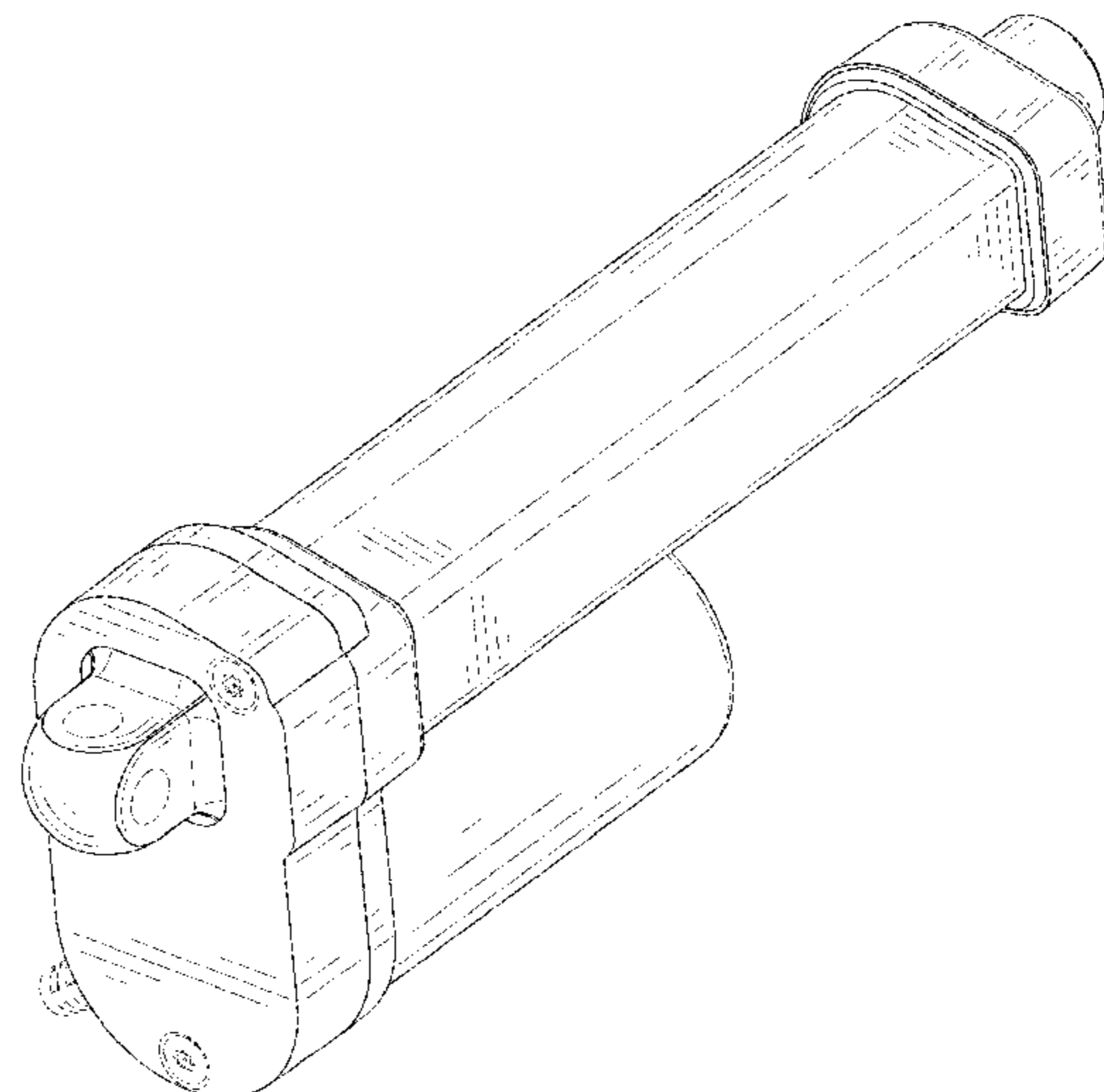
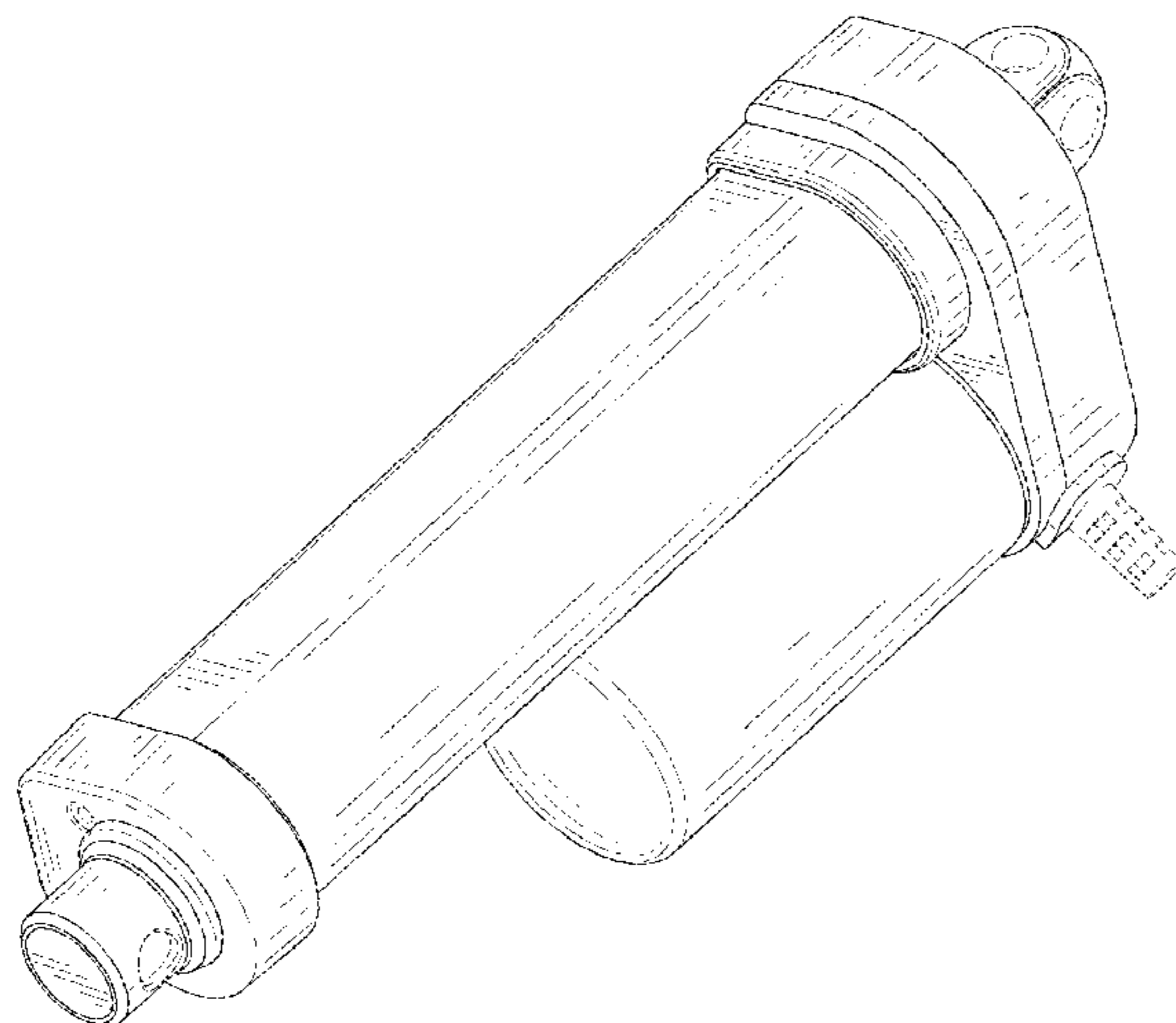
FIG. 8 is a top, rear and right side perspective view thereof;

and,

FIG. 9 is a top, front and left side perspective view of the actuator in a use state.

The broken lines in the drawings illustrate portions of the actuator or environmental subject matter that form no part of the claimed design.

**1 Claim, 9 Drawing Sheets**



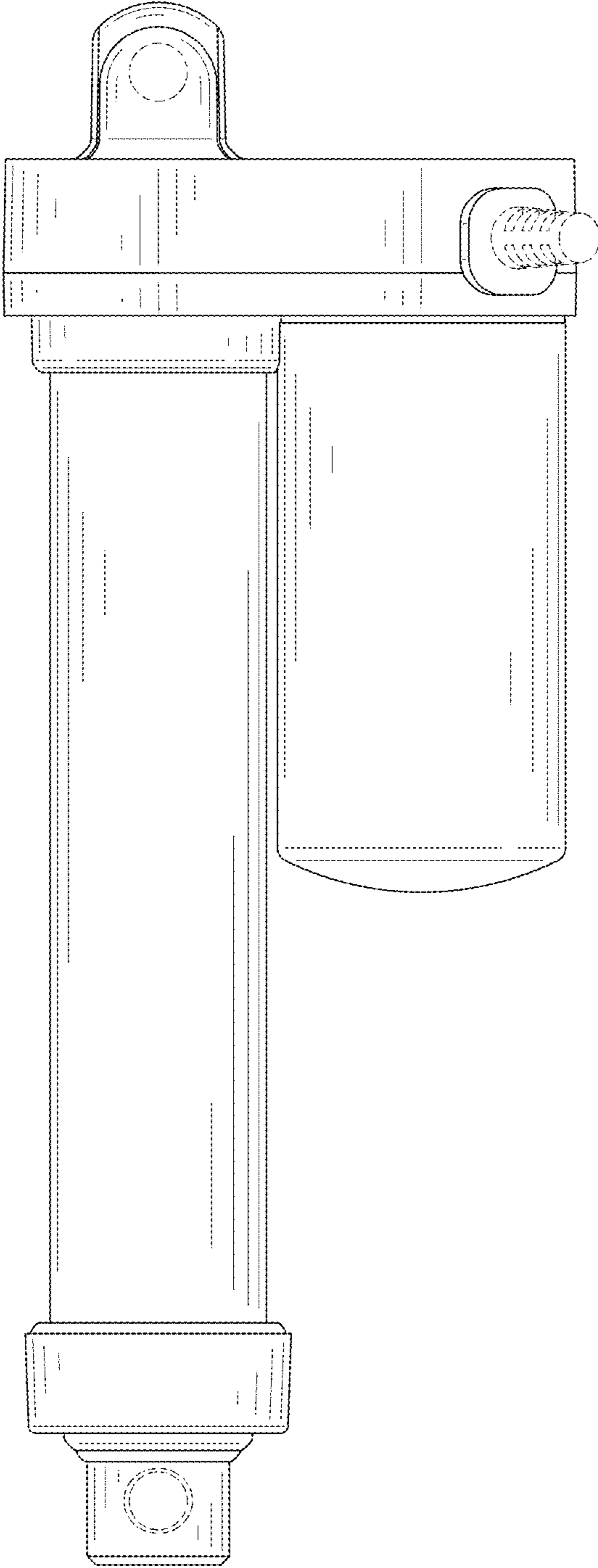


FIG. 1

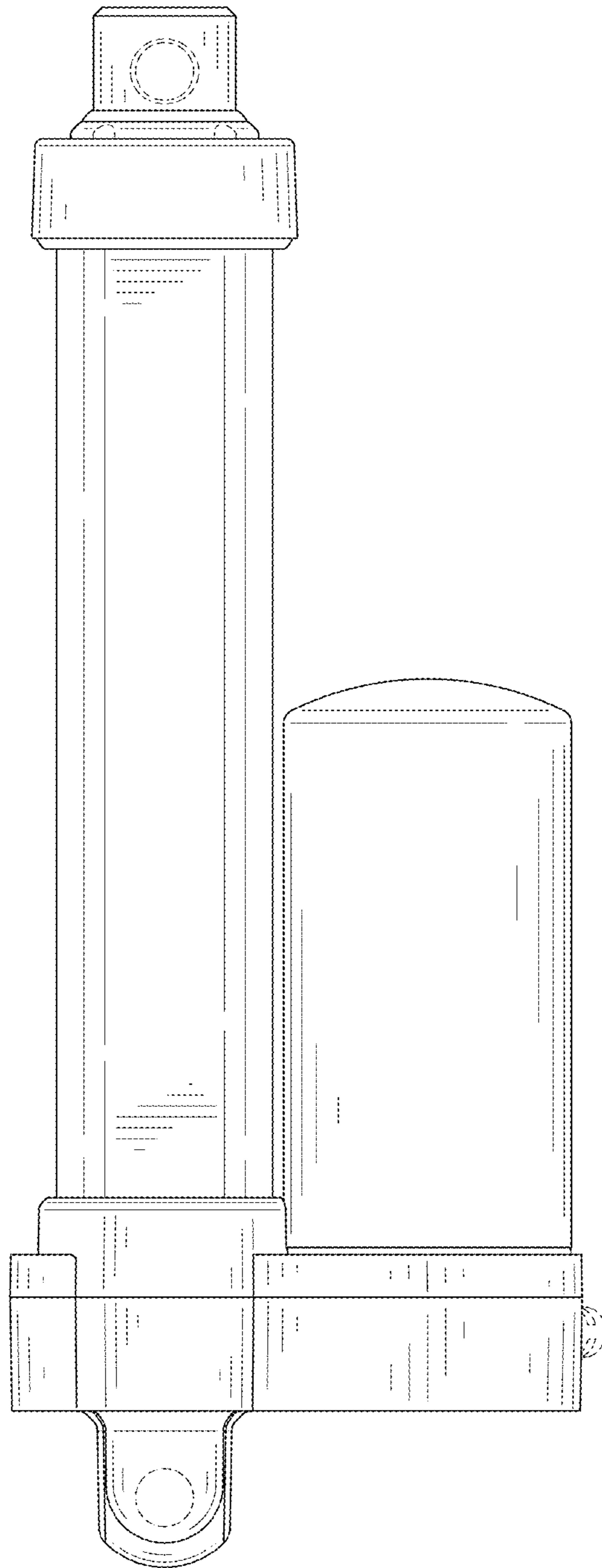


FIG. 2

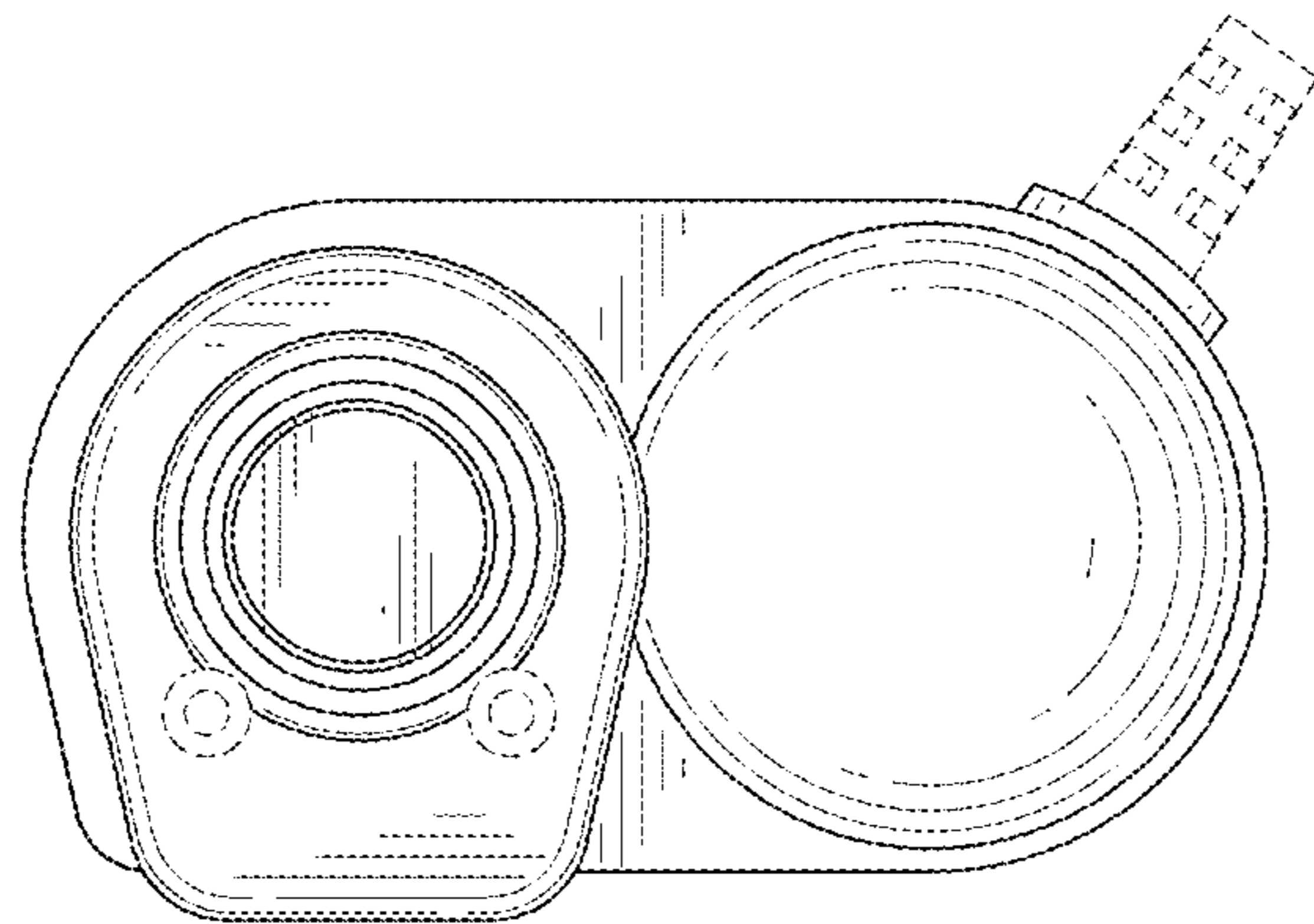


FIG. 3

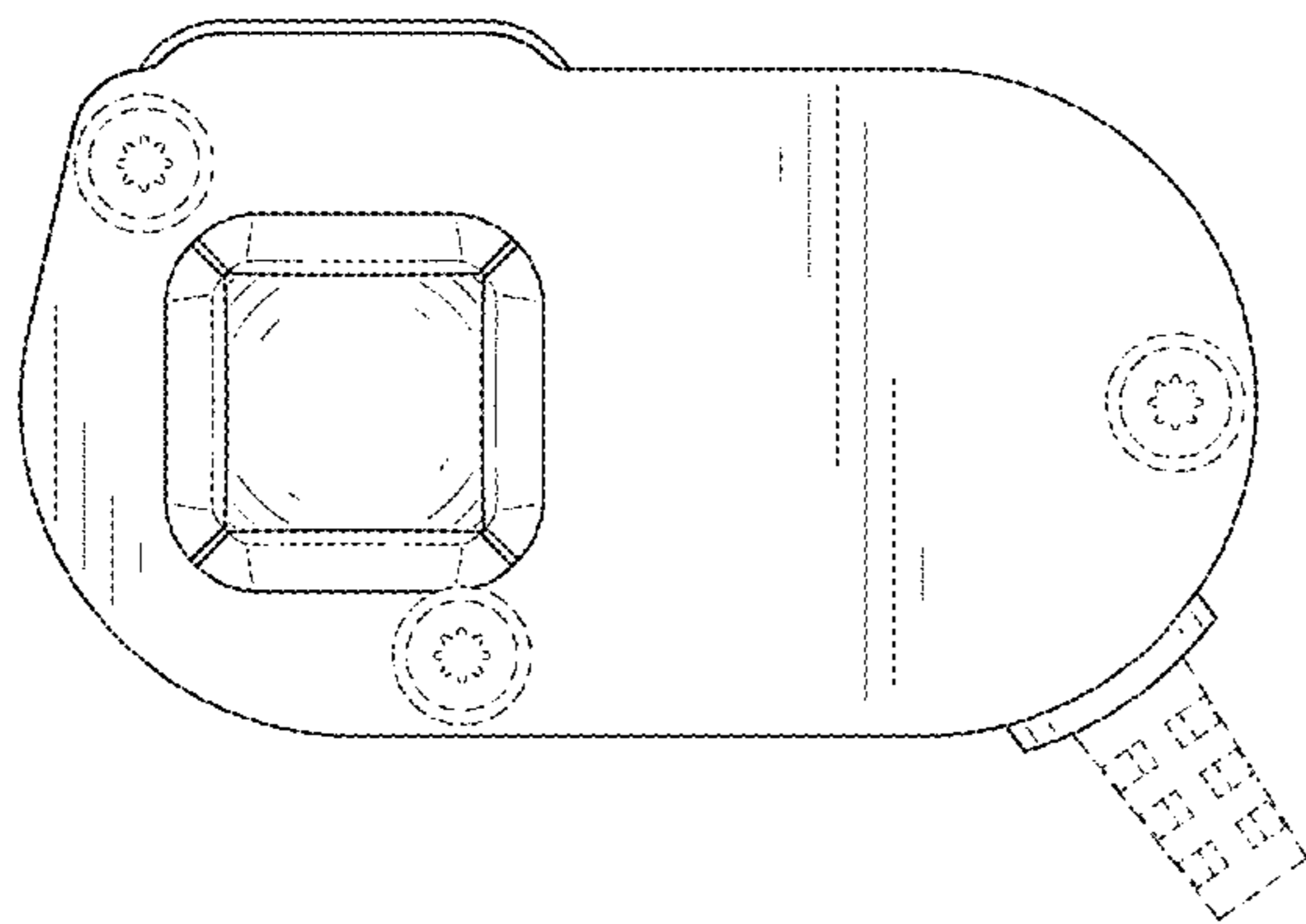


FIG. 4

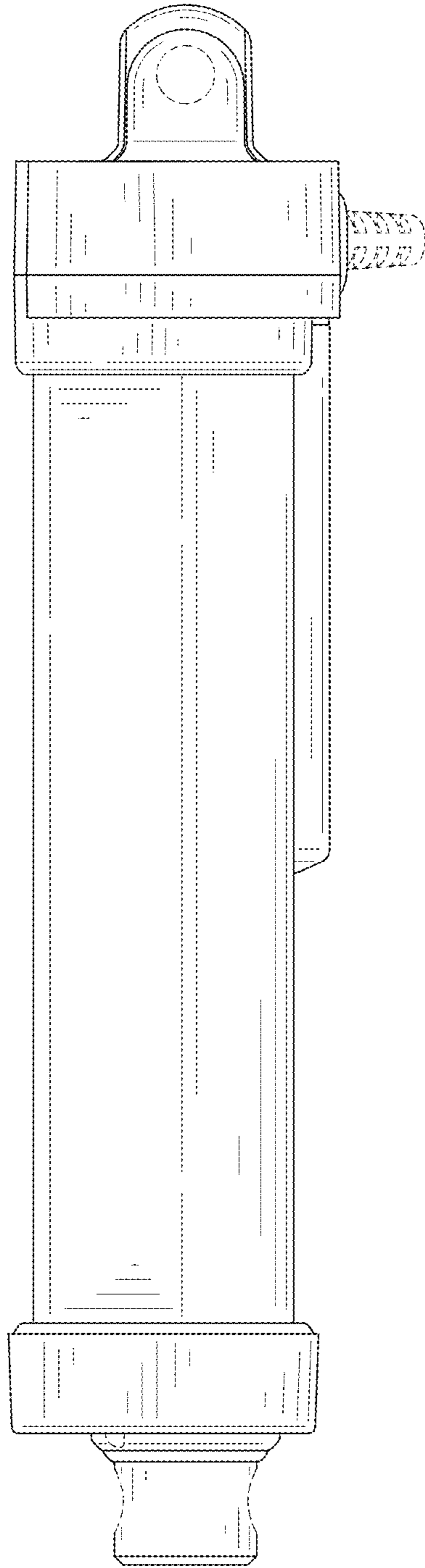


FIG. 5

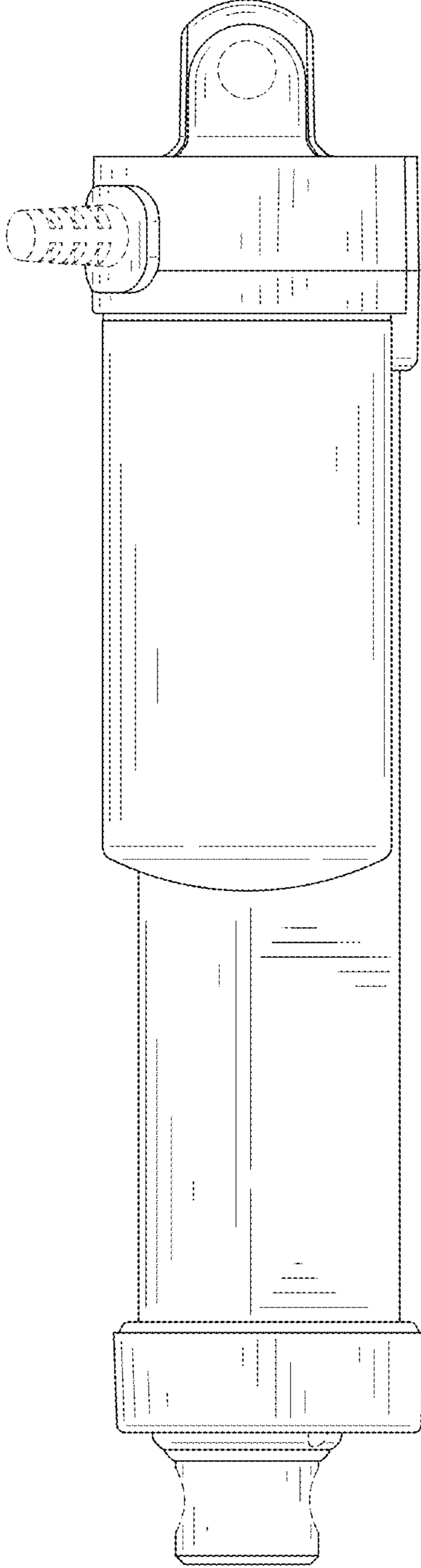


FIG. 6

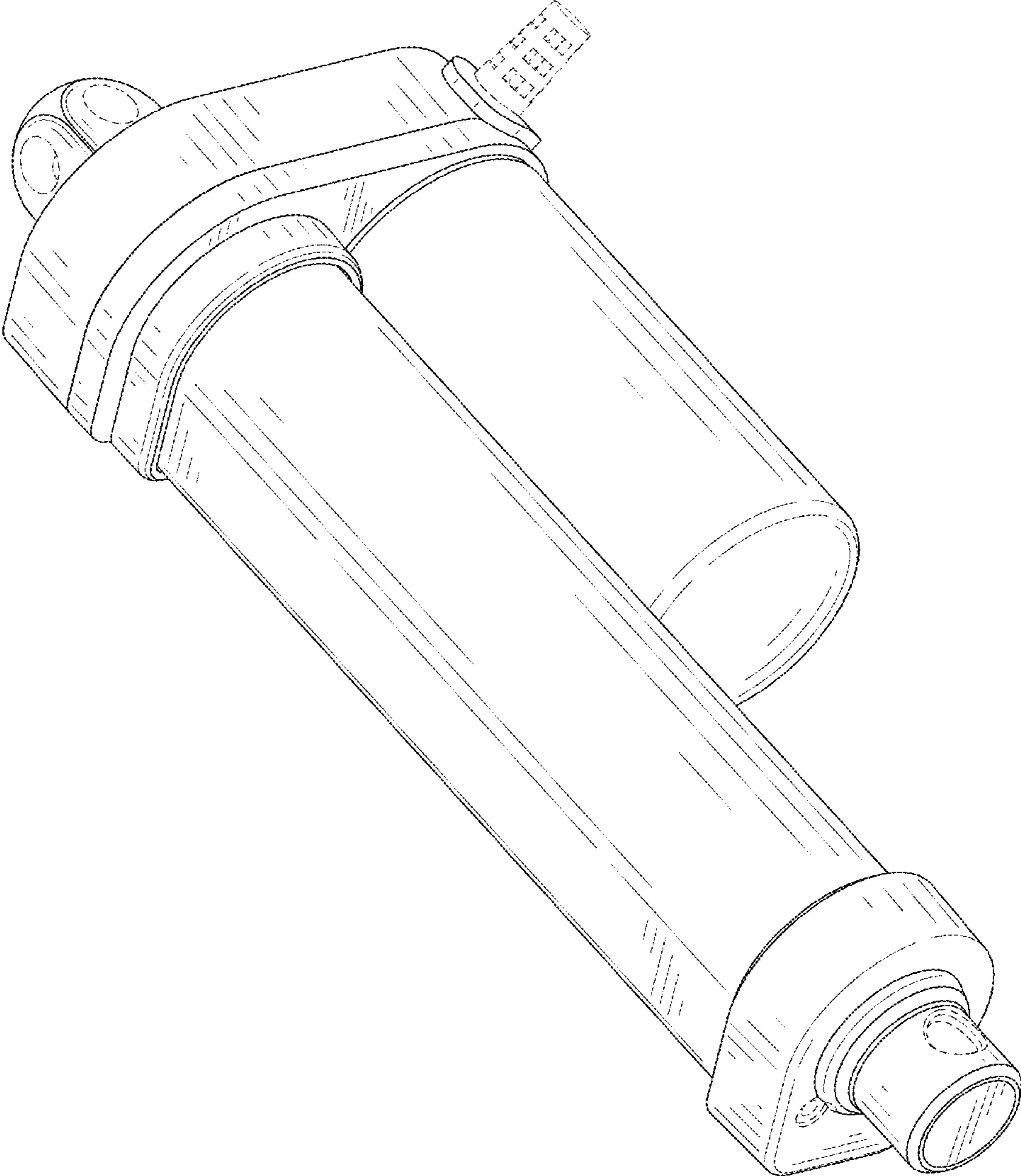


FIG. 7



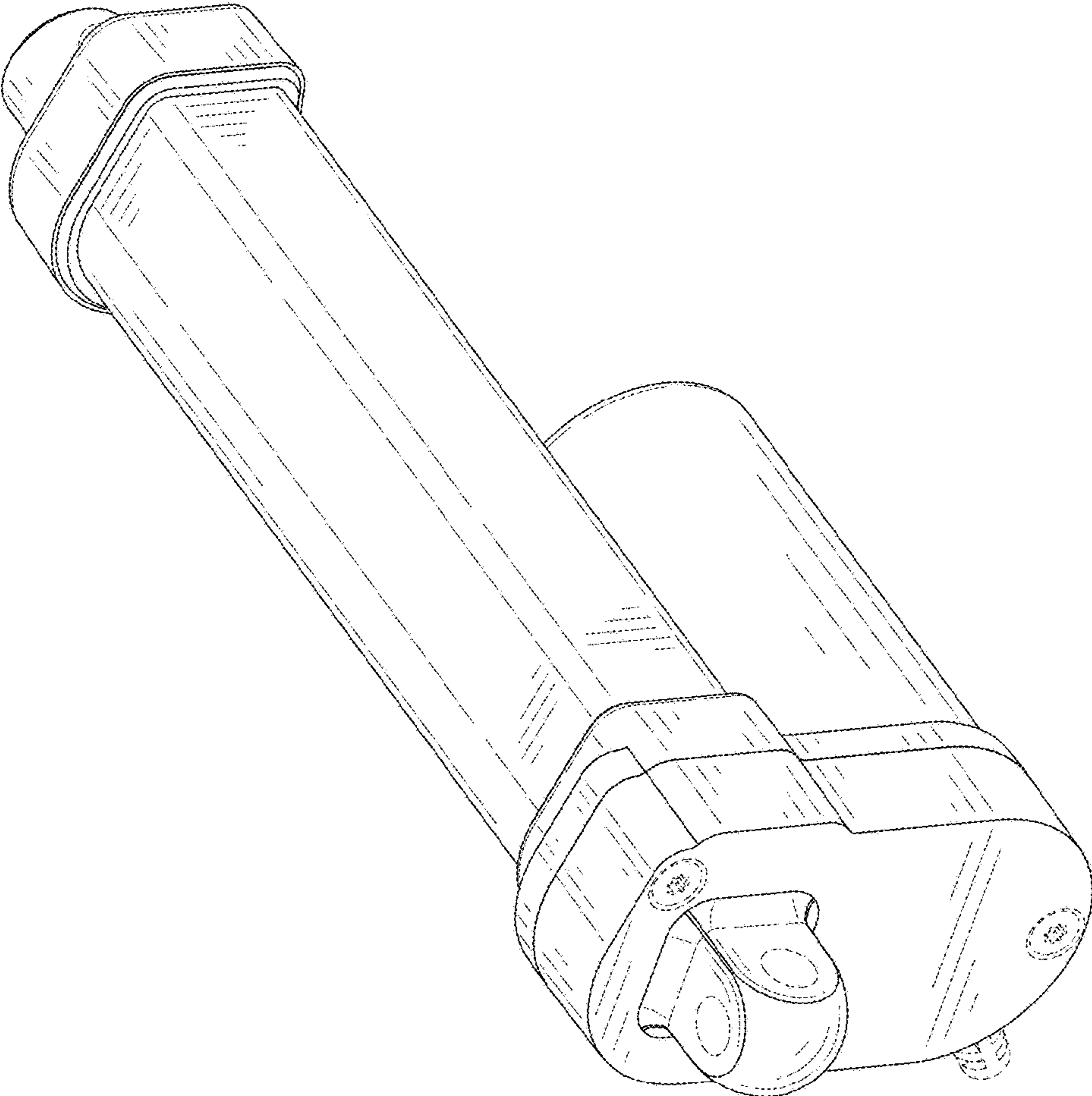


FIG. 8

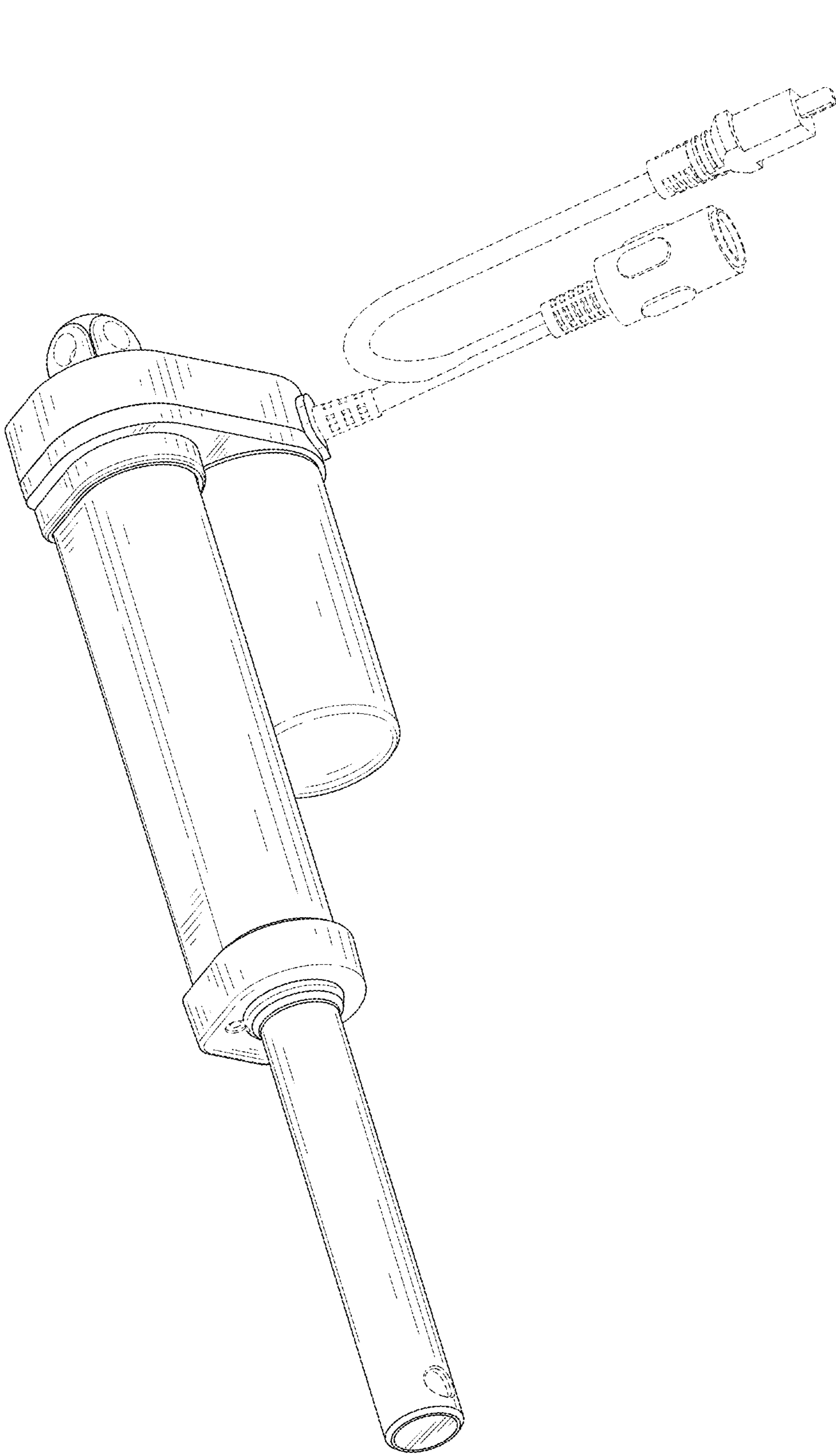


FIG. 9