



US00D865018S

(12) **United States Design Patent**  
**Zhou et al.**

(10) **Patent No.:** **US D865,018 S**  
(45) **Date of Patent:** **\*\* Oct. 29, 2019**

(54) **LINEAR ACTUATOR**

(71) Applicant: **LINAK A/S**, Nordborg (DK)

(72) Inventors: **King Zhou**, Bao'an District Shenzhen (CN); **Lian Wang**, Bao'an District Shenzhen (CN)

(73) Assignee: **LINAK A/S**, Nordborg (DK)

(\*\*) Term: **15 Years**

(21) Appl. No.: **29/664,555**

(22) Filed: **Sep. 26, 2018**

(30) **Foreign Application Priority Data**

Sep. 4, 2018 (DK) ..... DA 2018 00115

(51) **LOC (12) Cl.** ..... **15-09**

(52) **U.S. Cl.**  
USPC ..... **D15/148**

(58) **Field of Classification Search**  
USPC ..... 13/158, 160; 15/143, 148, 199  
CPC ..... F15B 15/00; F15B 15/12; F15B 15/065;  
H02K 5/24; H02K 7/00; H02K 19/06;  
H02K 26/00; H02K 33/00; H02K 33/16;  
H02K 37/00

See application file for complete search history.

(56) **References Cited**

**U.S. PATENT DOCUMENTS**

D467,950 S	*	12/2002	Christensen	.....	D15/148
D514,146 S	*	1/2006	Haneball	.....	D15/143
D523,880 S	*	6/2006	Christensen	.....	D15/143
D589,991 S	*	4/2009	Chen	.....	D15/143
D595,753 S	*	7/2009	Tseng	.....	D15/143
D620,961 S	*	8/2010	Iversen	.....	D15/143
D632,321 S	*	2/2011	Wu	.....	D15/143
D635,600 S	*	4/2011	Wu	.....	D15/143
D646,310 S	*	10/2011	Lan	.....	D15/143
D686,257 S	*	7/2013	Wu	.....	D15/143
D695,798 S	*	12/2013	Wu	.....	D15/143

D695,799 S	*	12/2013	Landerholm	.....	D15/143
D719,595 S	*	12/2014	Landerholm	.....	D15/143
D767,656 S	*	9/2016	Wu	.....	D15/143
D776,729 S	*	1/2017	Wu	.....	D15/143
D785,061 S	*	4/2017	Gong	.....	D15/148
D785,062 S	*	4/2017	Gong	.....	D15/148

(Continued)

**FOREIGN PATENT DOCUMENTS**

EM 001455612-0001 1/2017

**OTHER PUBLICATIONS**

Data Sheet for LINAK Linear Actuator LA43 (2 pgs.), retrieved from <https://web.archive.org/web/20161004231429/http://www.linak.com/products/linear-actuators.aspx?product=LA43> (Wayback Machine) with date of Oct. 4, 2016.

(Continued)

*Primary Examiner* — Patricia A Palasik

(74) *Attorney, Agent, or Firm* — Dykema Gossett PLLC

(57) **CLAIM**

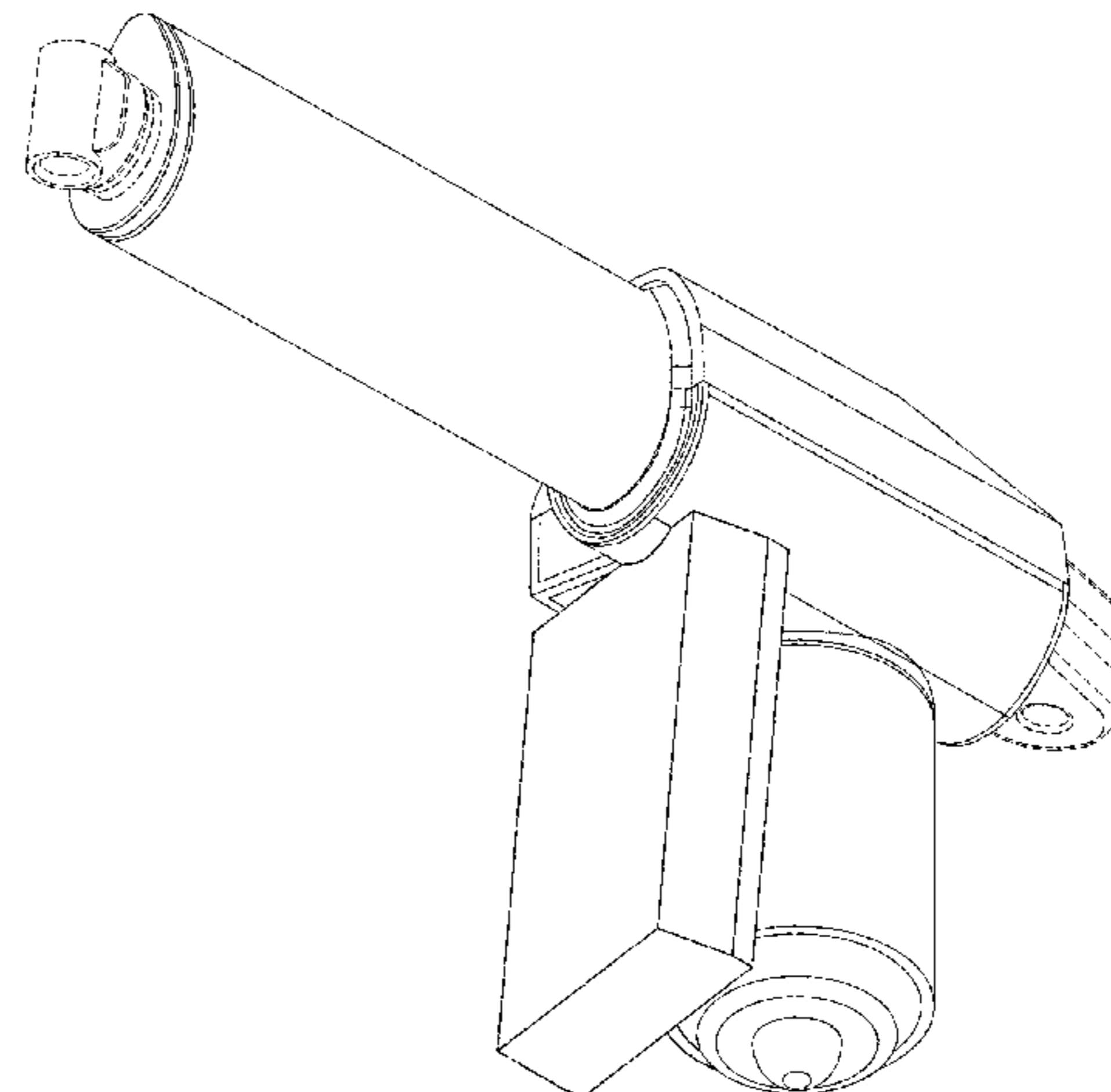
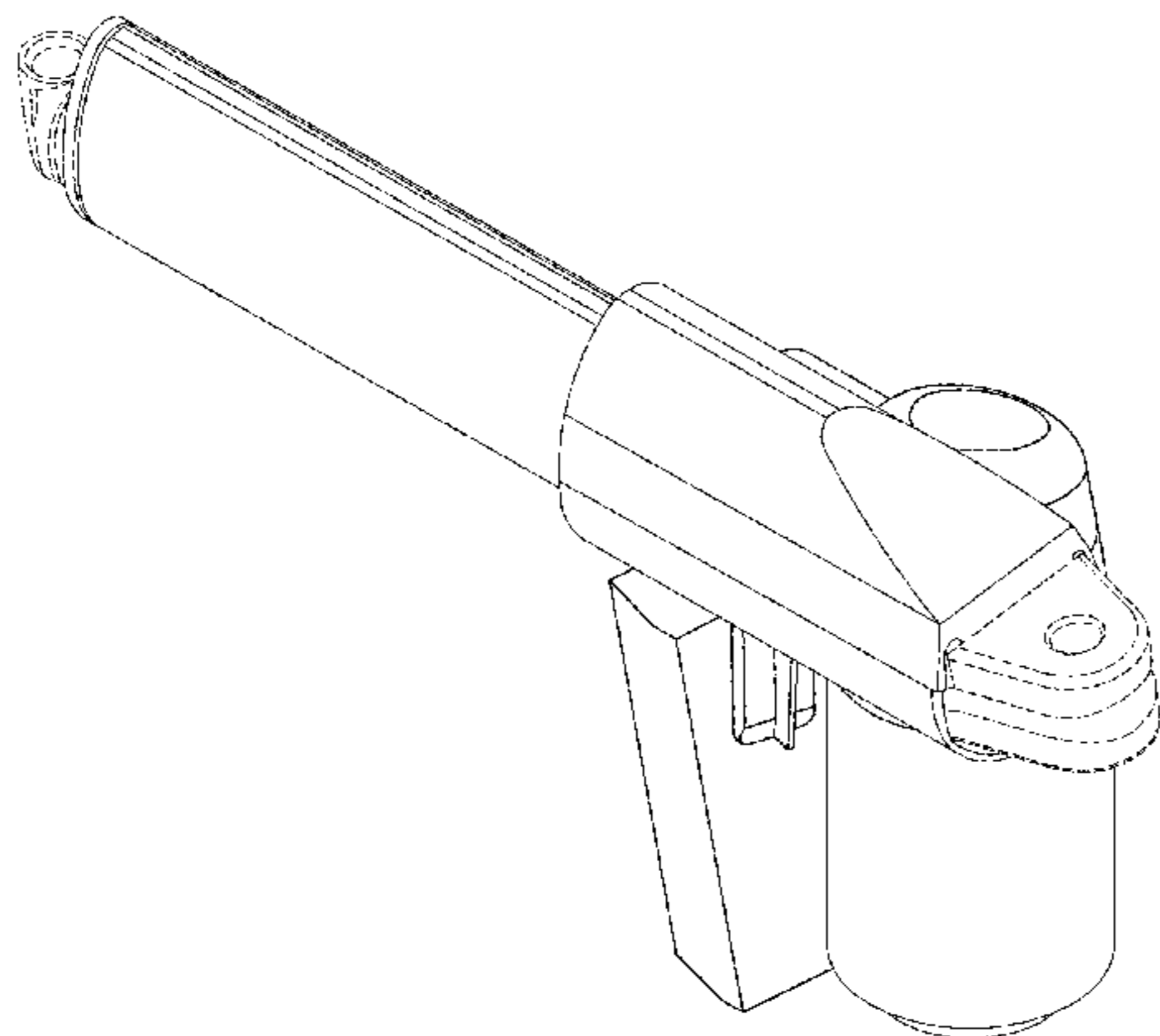
The ornamental design for a linear actuator, as shown and described.

**DESCRIPTION**

FIG. 1 is a first top perspective view of a linear actuator showing my new and ornamental design, FIG. 2 is a first bottom perspective view thereof, FIG. 3 is a top view thereof, FIG. 4 is a bottom view thereof, FIG. 5 is a side view thereof, FIG. 6 is an opposite side view thereof, FIG. 7 is a front view thereof; and, FIG. 8 is a rear view thereof.

The features shown in broken lines in the drawings depict portions of the linear actuator which form no part of the claimed design.

**1 Claim, 8 Drawing Sheets**



(56)

**References Cited**

U.S. PATENT DOCUMENTS

D792,490 S	*	7/2017	Lin	.....	D15/143
D800,195 S	*	10/2017	Lin	.....	D15/148
D819,100 S	*	5/2018	Lin	.....	D15/148
D839,937 S	*	2/2019	Zhuang	.....	D15/143
D851,147 S	*	6/2019	Knudsen	.....	D15/148
D852,248 S	*	6/2019	Zhuang	.....	D15/148

OTHER PUBLICATIONS

Data Sheet for LINAK Linear Actuator LA43 IC (2 pgs.), retrieved from <https://web.archive.org/web/20161005110508/http://www.linak.com/products/linear-actuators.aspx?product=LA43+IC> (Wayback Machine) with date of Oct. 5, 2016.

King Zhou and Lian Wang, Design U.S. Appl. No. US 29/664,575, filed Sep. 26, 2018.

\* cited by examiner

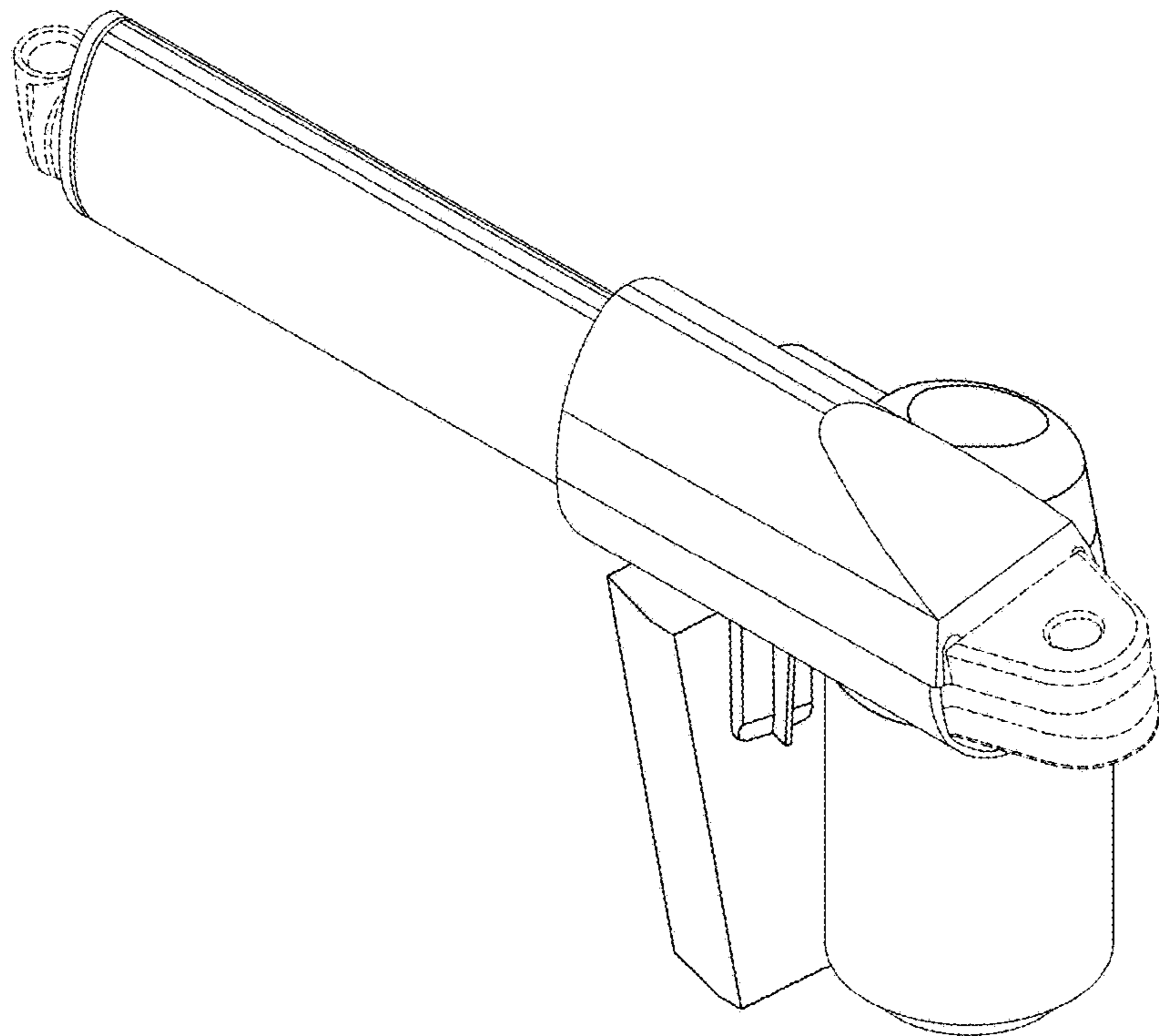


FIG. 1

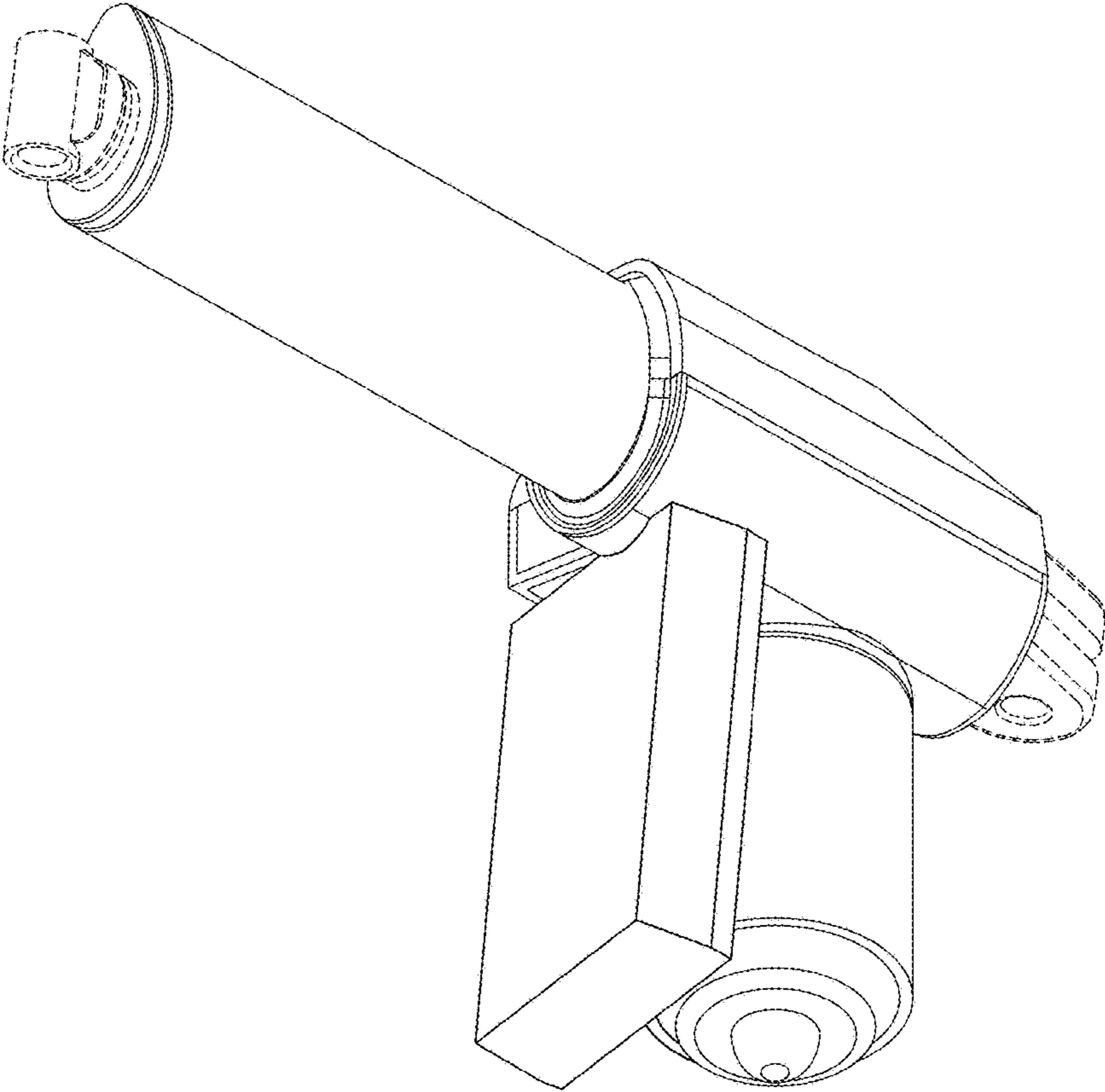


FIG. 2

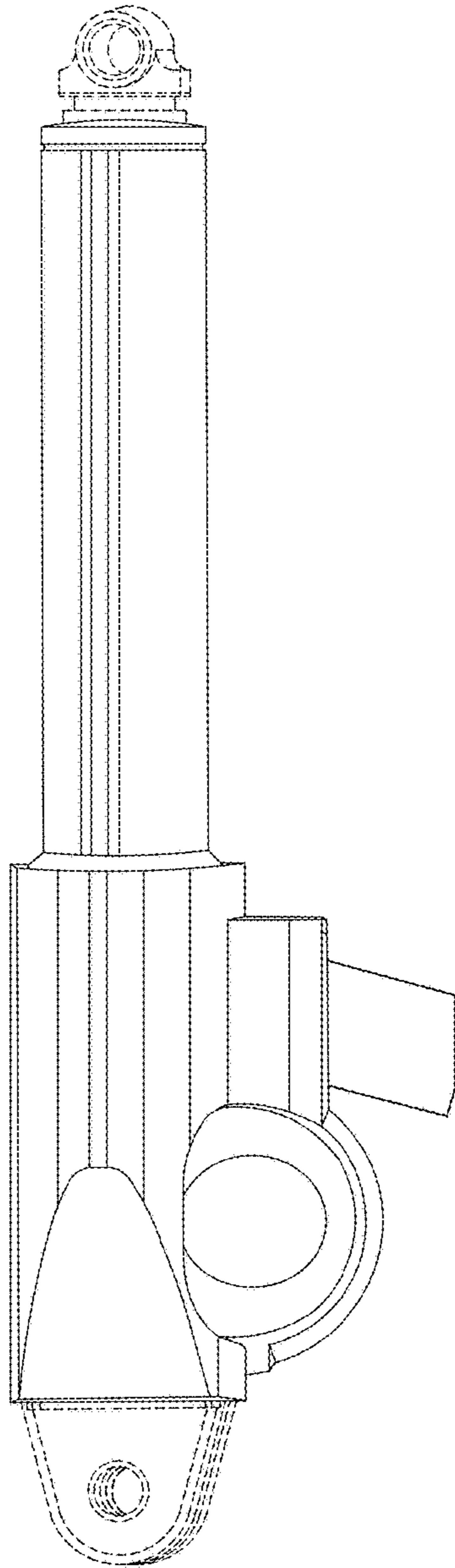


FIG. 3

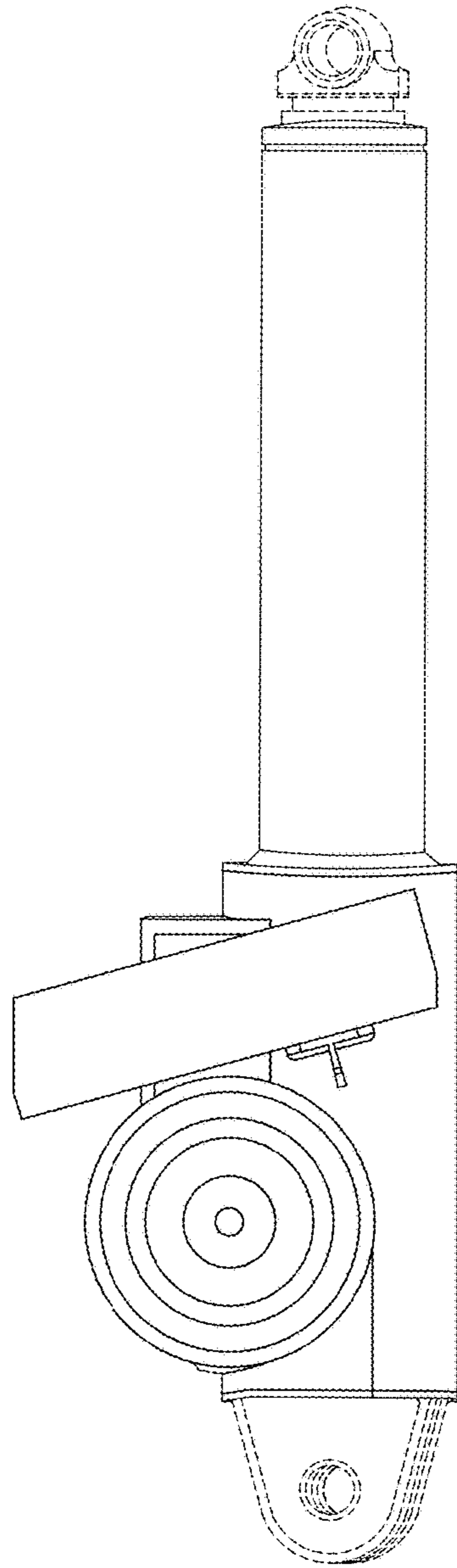


FIG. 4

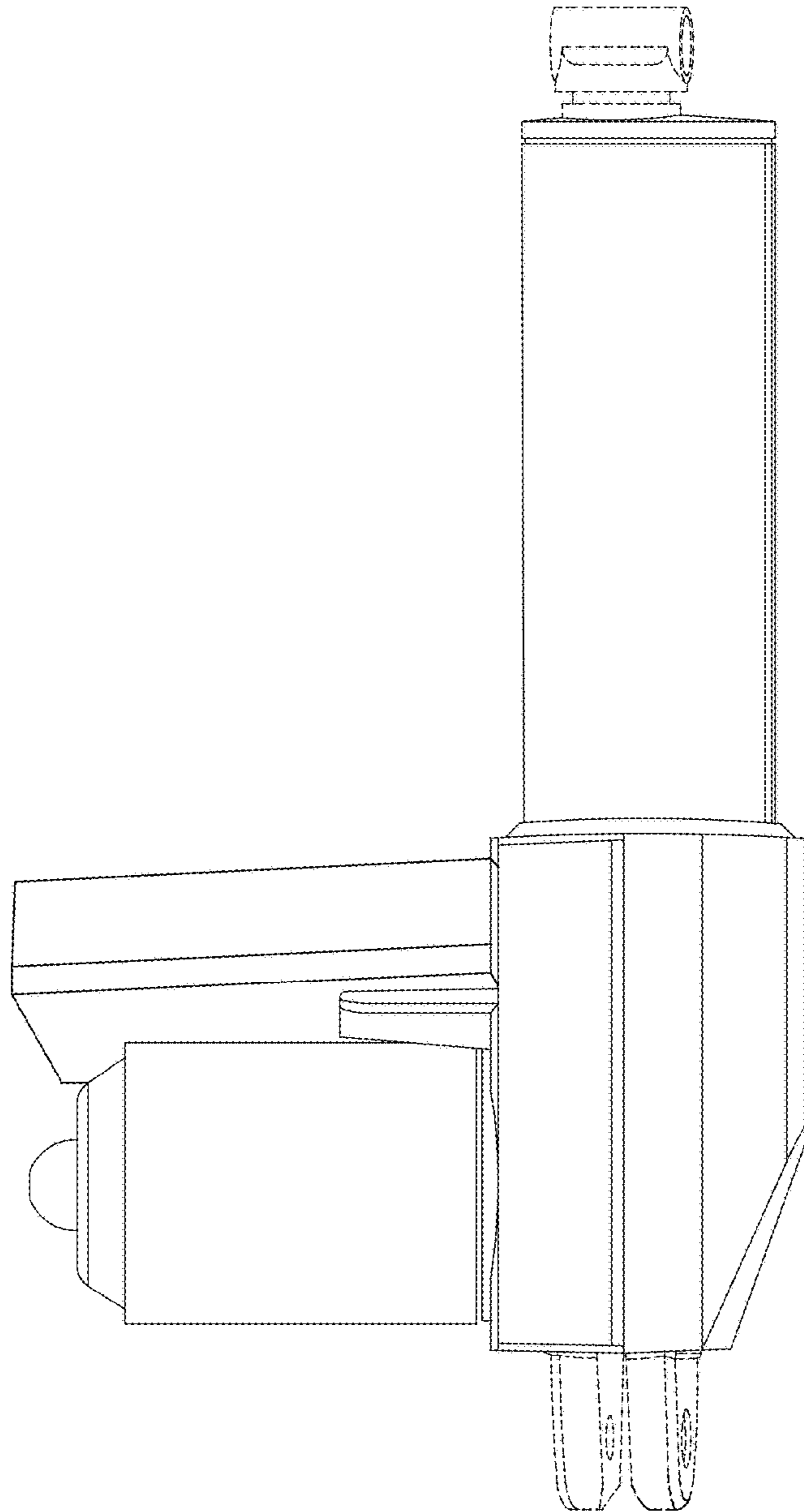


FIG. 5

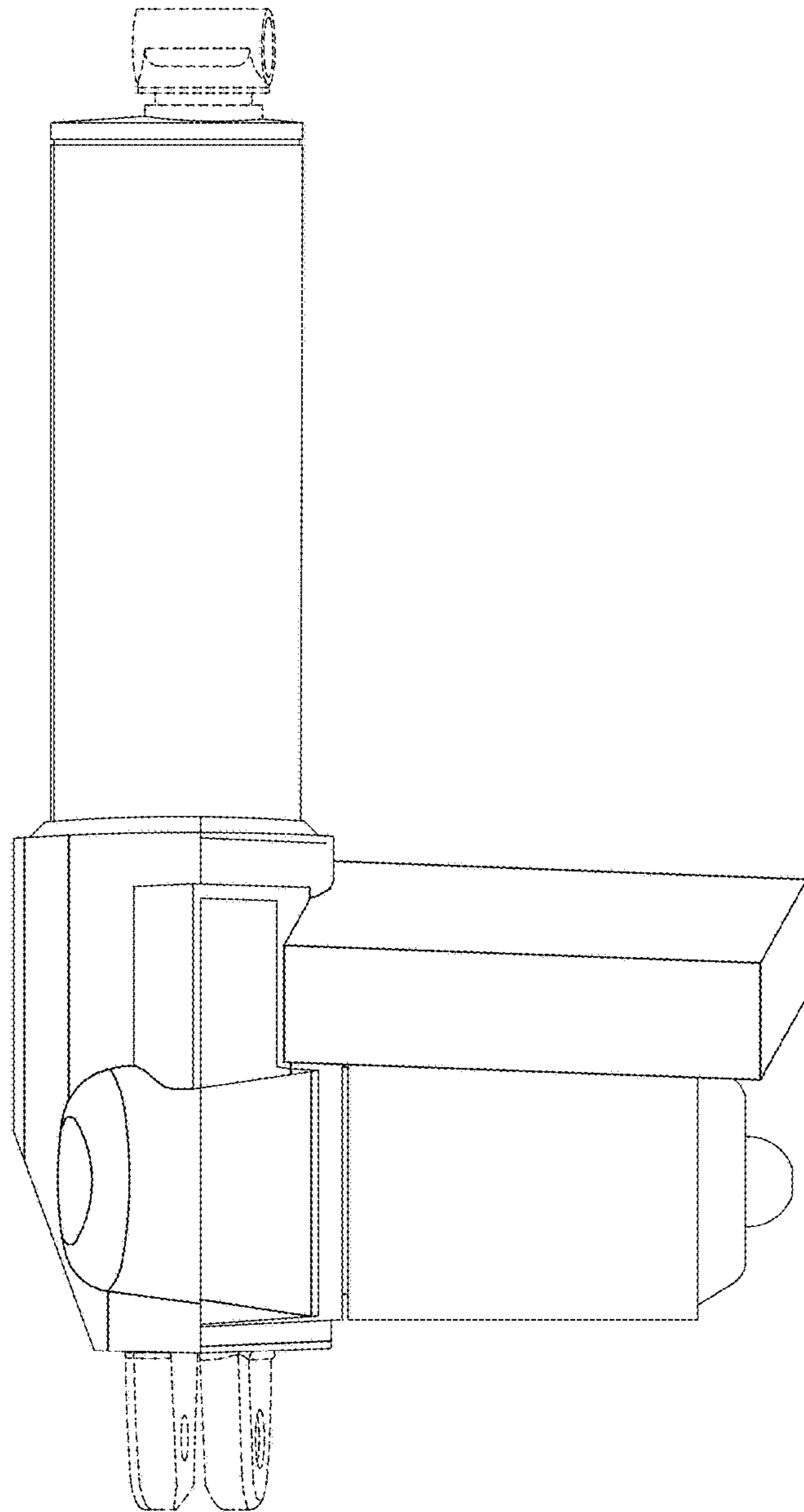


FIG. 6



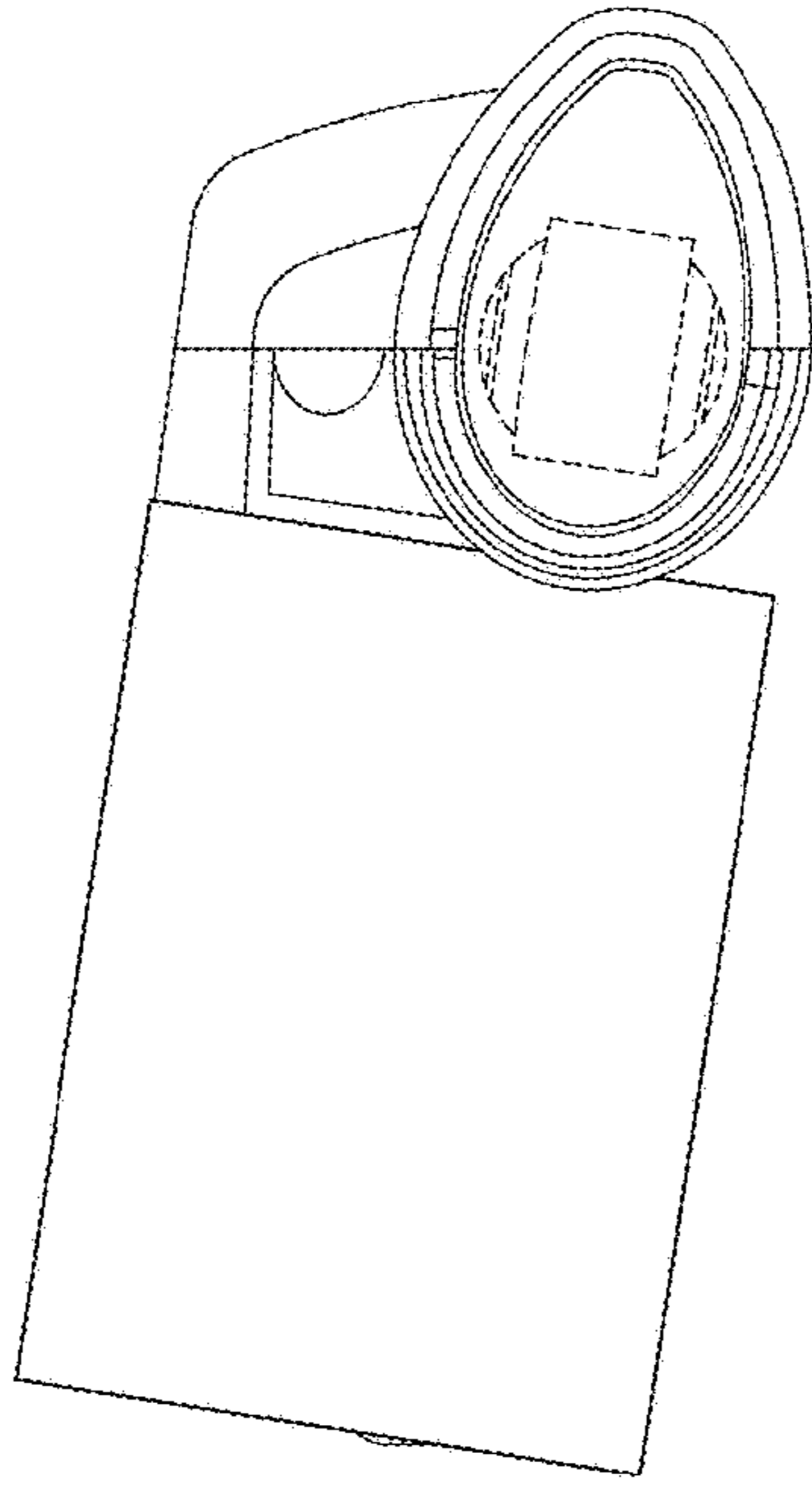
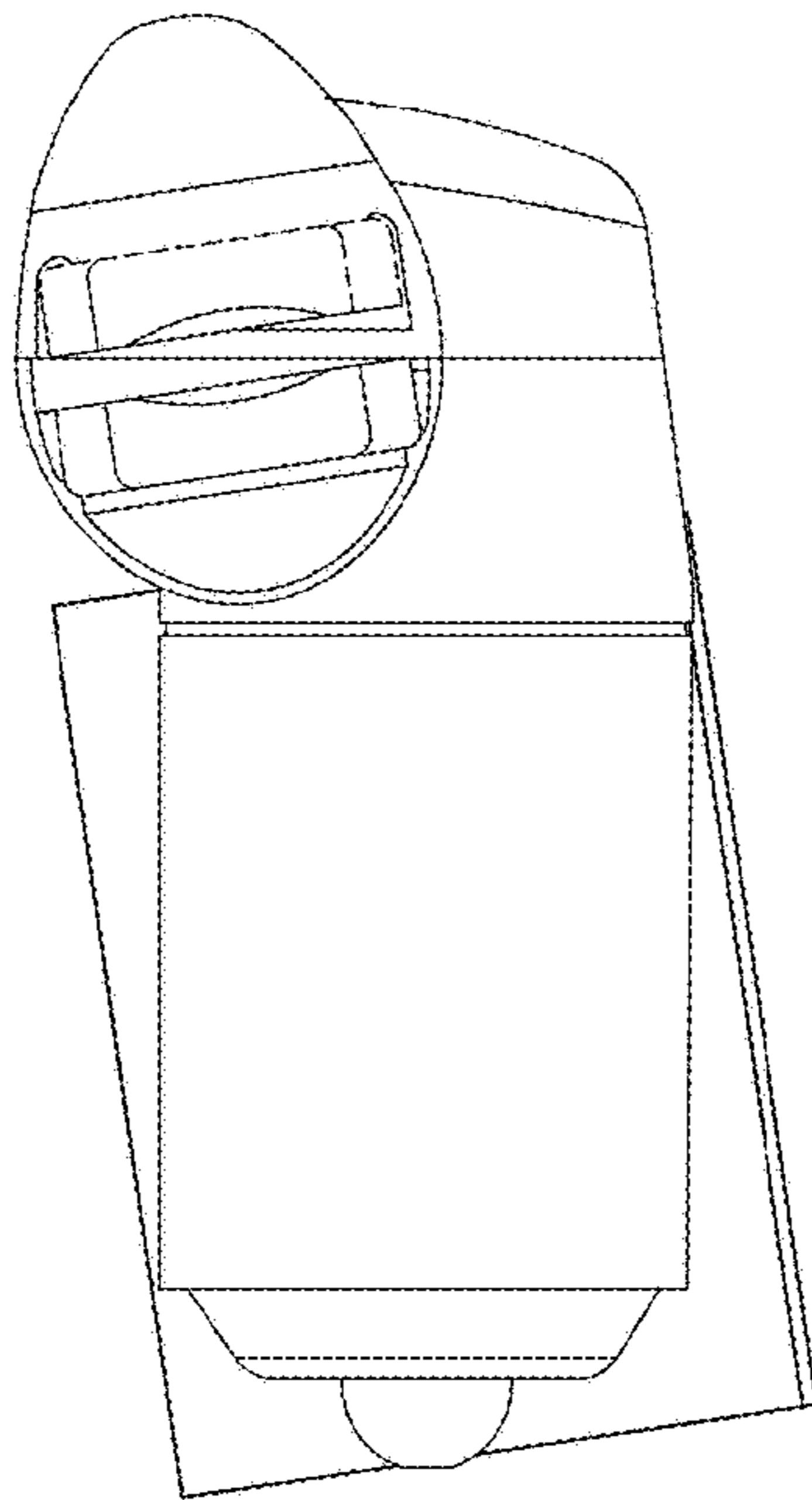


FIG. 7



**FIG. 8**