



US00D865016S

(12) **United States Design Patent**
Jørgensen

(10) **Patent No.:** **US D865,016 S**

(45) **Date of Patent:** **** Oct. 29, 2019**

(54) **LINEAR ACTUATOR**

(71) Applicant: **LINAK A/S**, Nordborg (DK)

(72) Inventor: **Rolf Jørgensen**, Middelfart (DK)

(73) Assignee: **LINAK A/S**, Nordborg (DK)

(**) Term: **15 Years**

(21) Appl. No.: **29/650,014**

(22) Filed: **Jun. 4, 2018**

(30) **Foreign Application Priority Data**

Dec. 10, 2017 (DK) 2017 00110

(51) **LOC (12) Cl.** **15-09**

(52) **U.S. Cl.**
USPC **D15/148**

(58) **Field of Classification Search**
USPC D13/158, 160; D15/143, 148, 199
CPC F15B 15/00; F15B 15/12; F15B 15/065;
H02K 5/24; H02K 7/00; H02K 19/06;
H02K 26/00; H02K 33/00; H02K 33/16;
H02K 37/00
See application file for complete search history.

(56) **References Cited**

U.S. PATENT DOCUMENTS

- D502,477 S * 3/2005 Beadle D15/143
- D514,146 S * 1/2006 Haneball D15/143
- D577,753 S * 9/2008 Lund D15/143
- D624,101 S * 9/2010 Tseng D15/143
- D624,102 S * 9/2010 Tseng D15/143
- D646,310 S * 10/2011 Lan D15/143
- D686,257 S * 7/2013 Wu D15/143
- D695,798 S * 12/2013 Wu D15/143
- D695,799 S * 12/2013 Landerholm D15/143
- D719,595 S * 12/2014 Landerholm D15/143
- D727,714 S * 4/2015 Gherlenda D8/331
- D767,656 S * 9/2016 Wu D15/143

- D794,831 S * 8/2017 Kelley D25/48.5
- D800,195 S * 10/2017 Lin D15/148
- D806,151 S * 12/2017 Landerholm D15/143

(Continued)

OTHER PUBLICATIONS

Data Sheet for Linak Actuator LA22 (2 pgs.), retrieved from <https://web.archive.org/web/20160305050415/http://www.linak.com/products/linear-actuators.aspx?product=LA22> (Wayback Machine) with date of Mar. 5, 2016.

(Continued)

Primary Examiner — Patricia A Palasik

(74) *Attorney, Agent, or Firm* — Dykema Gossett PLLC

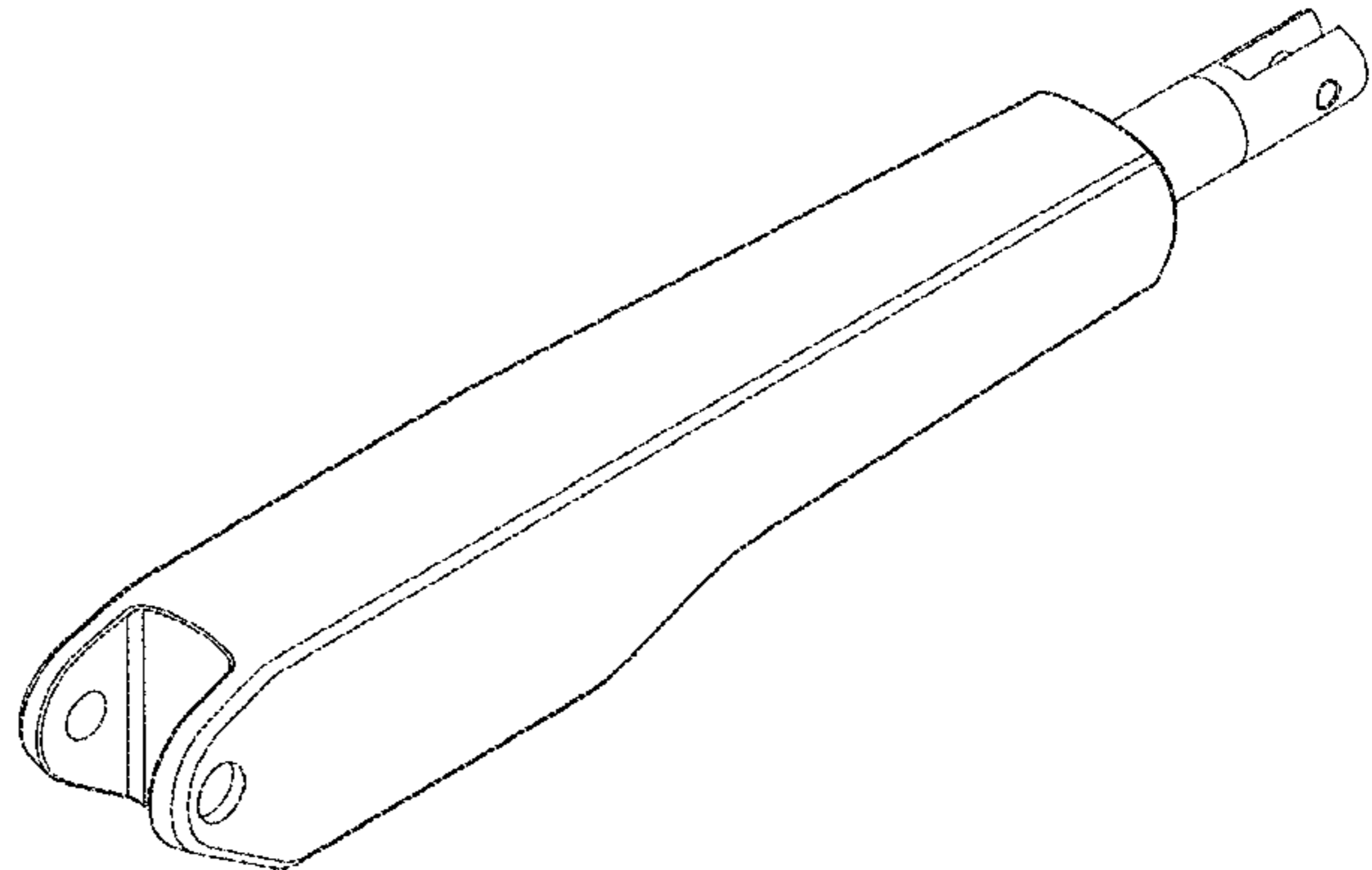
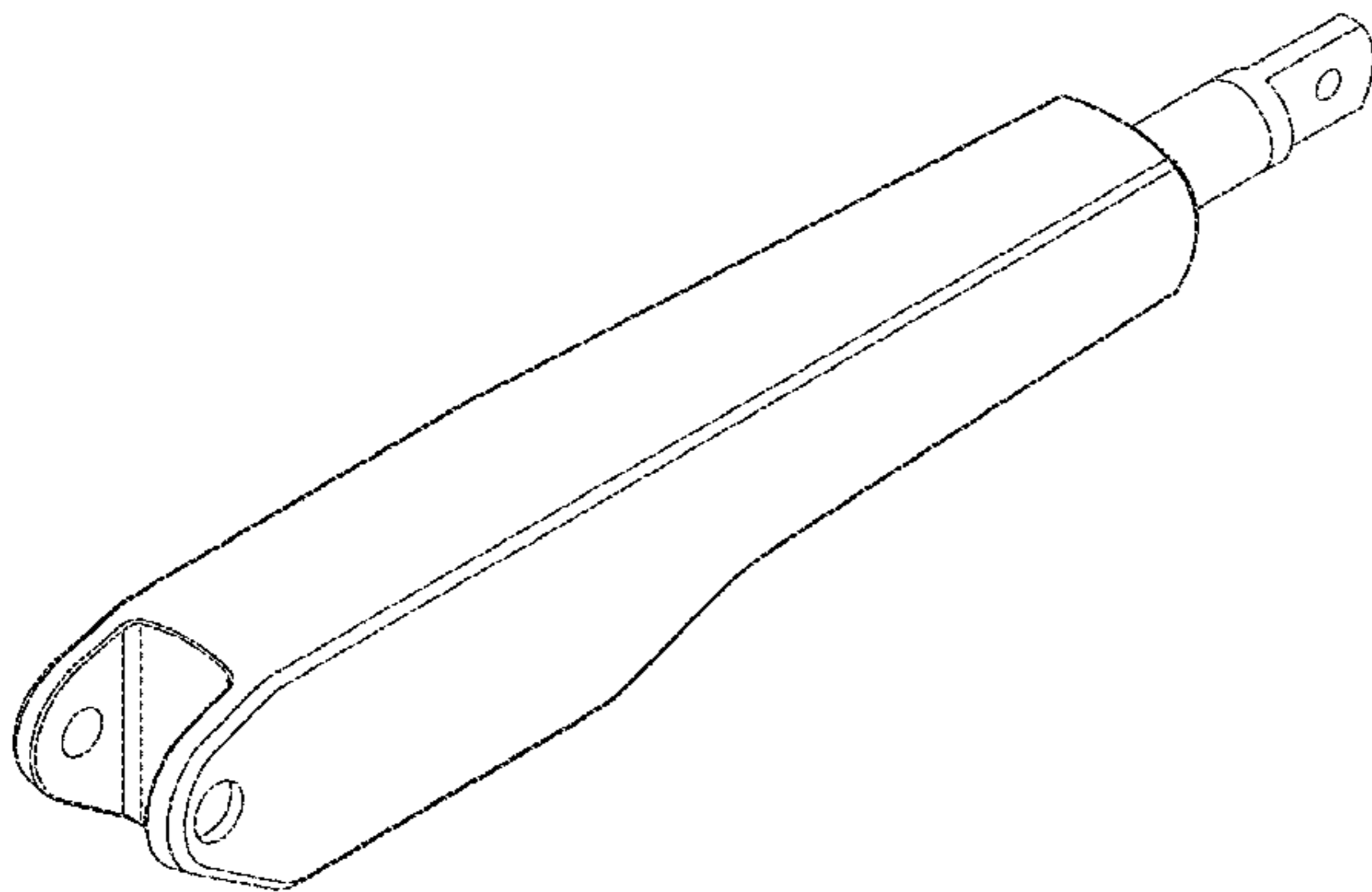
(57) **CLAIM**

The ornamental design for a linear actuator, as shown and described.

DESCRIPTION

FIG. 1 is a perspective rear view of a linear actuator according to a first embodiment of my new and ornamental design,
 FIG. 2 is a perspective front view thereof,
 FIG. 3 is a top plan view thereof,
 FIG. 4 is a bottom plan view thereof,
 FIG. 5 is a side view thereof, an opposite side view being a mirror image,
 FIG. 6 is a front view thereof, and
 FIG. 7 is a rear view thereof,
 FIG. 8 is a first perspective view of a second embodiment of a linear actuator according to my new and ornamental design,
 FIG. 9 is a perspective front view thereof,
 FIG. 10 is a top plan view thereof,
 FIG. 11 is a bottom plan view thereof,
 FIG. 12 is a side view thereof, an opposite side view being a mirror image,
 FIG. 13 is a front view thereof; and,
 FIG. 14 is a rear view thereof.

1 Claim, 14 Drawing Sheets



(56)

References Cited

U.S. PATENT DOCUMENTS

D810,933 S * 2/2018 Chrisman D24/133
D819,100 S * 5/2018 Lin D15/148
D821,471 S * 6/2018 Zhuang D15/148
D839,937 S * 2/2019 Zhuang D15/143

OTHER PUBLICATIONS

Data Sheet for TiMotion—JP3 series (8 pgs.), retrieved from <https://web.archive.org/web/20170614161605/http://www.timotion.com/product.php?ProductID=43> (Wayback Machine) with date of Jun. 14, 2017.

Data Sheet for TiMotion—JP4 series (9 pgs.), retrieved from <https://web.archive.org/web/20170614131234/http://www.timotion.com/product.php?ProductID=44> (Wayback Machine) with date of Jun. 14, 2017.

* cited by examiner

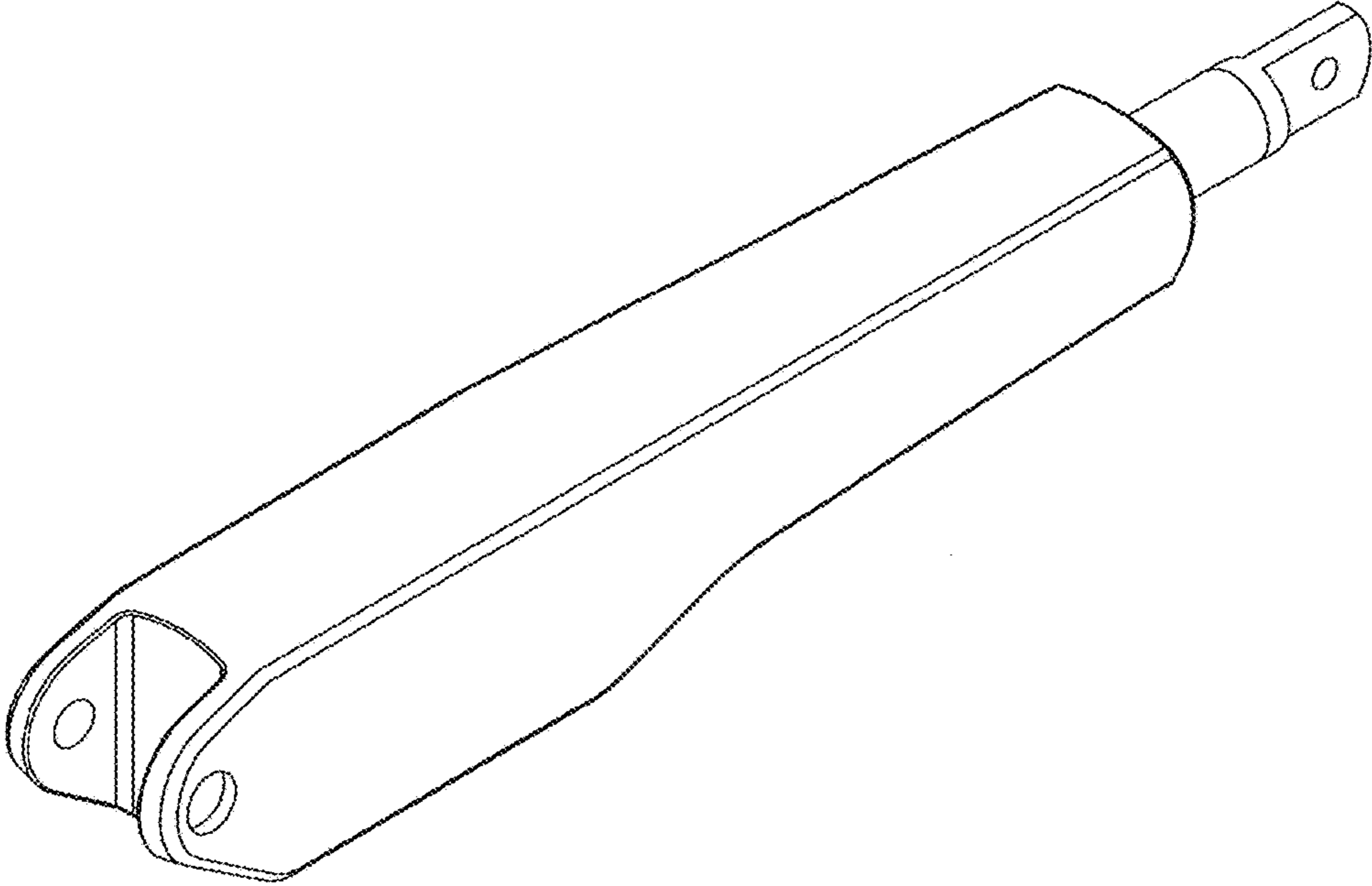


Fig. 1

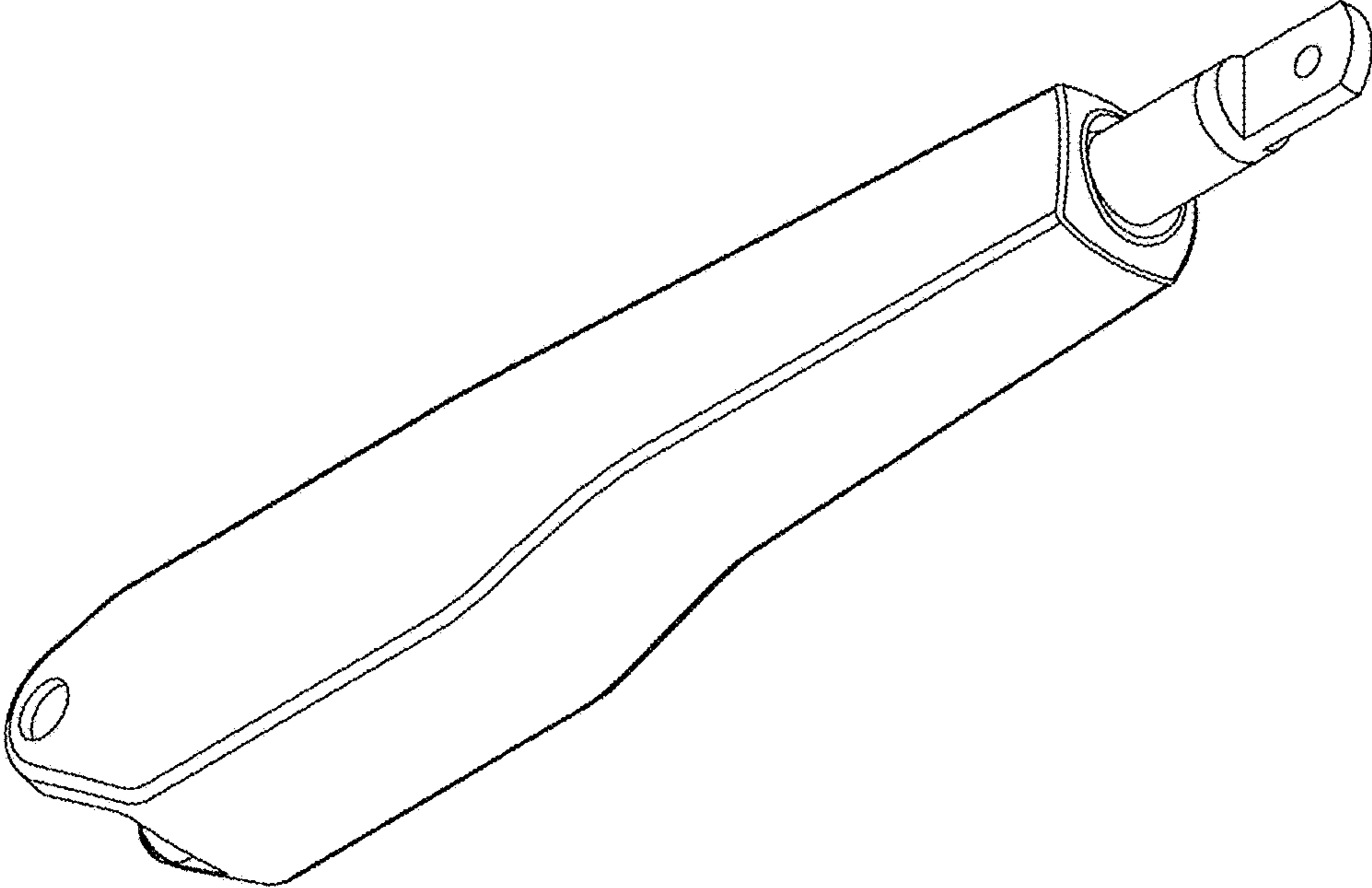


Fig. 2

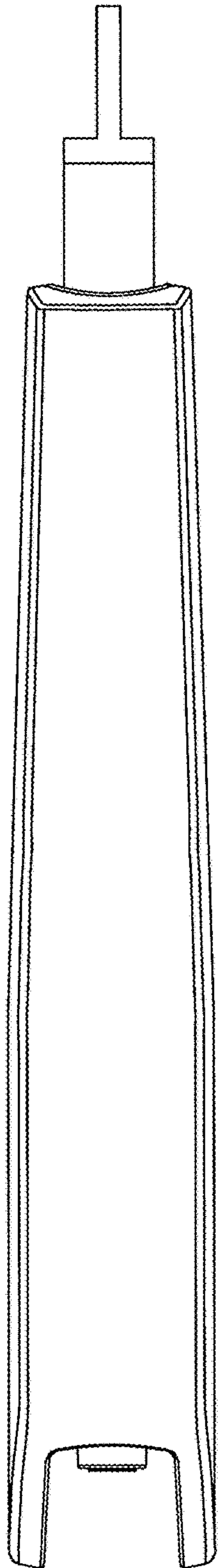


Fig. 3

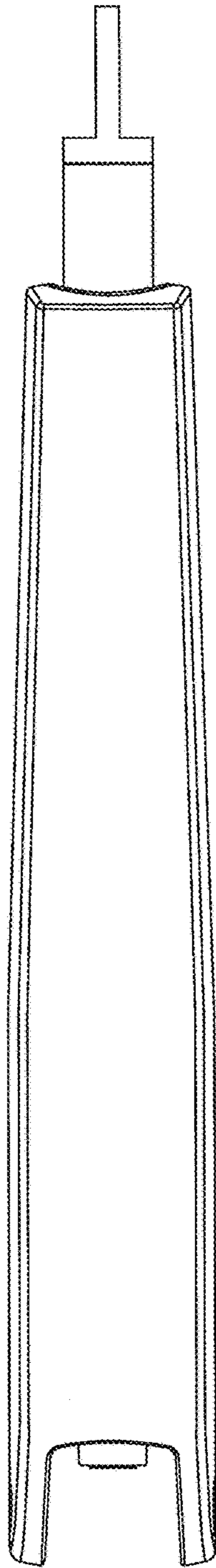


Fig. 4

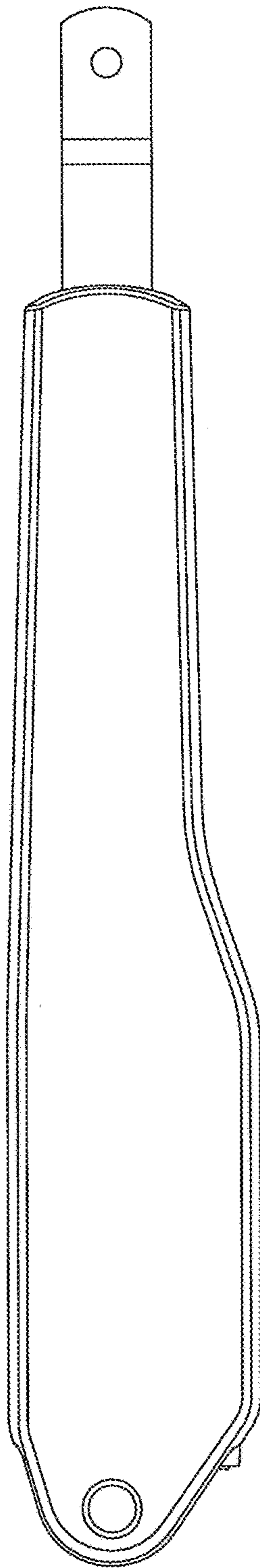


Fig. 5

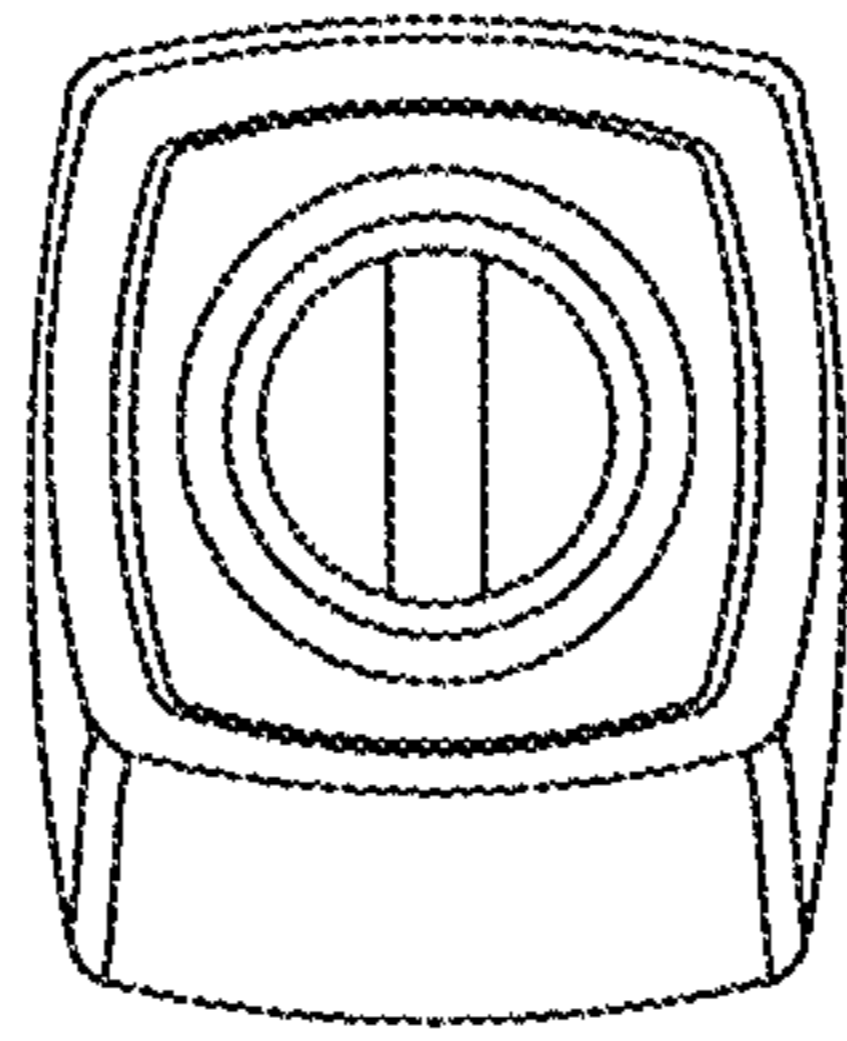


Fig. 6

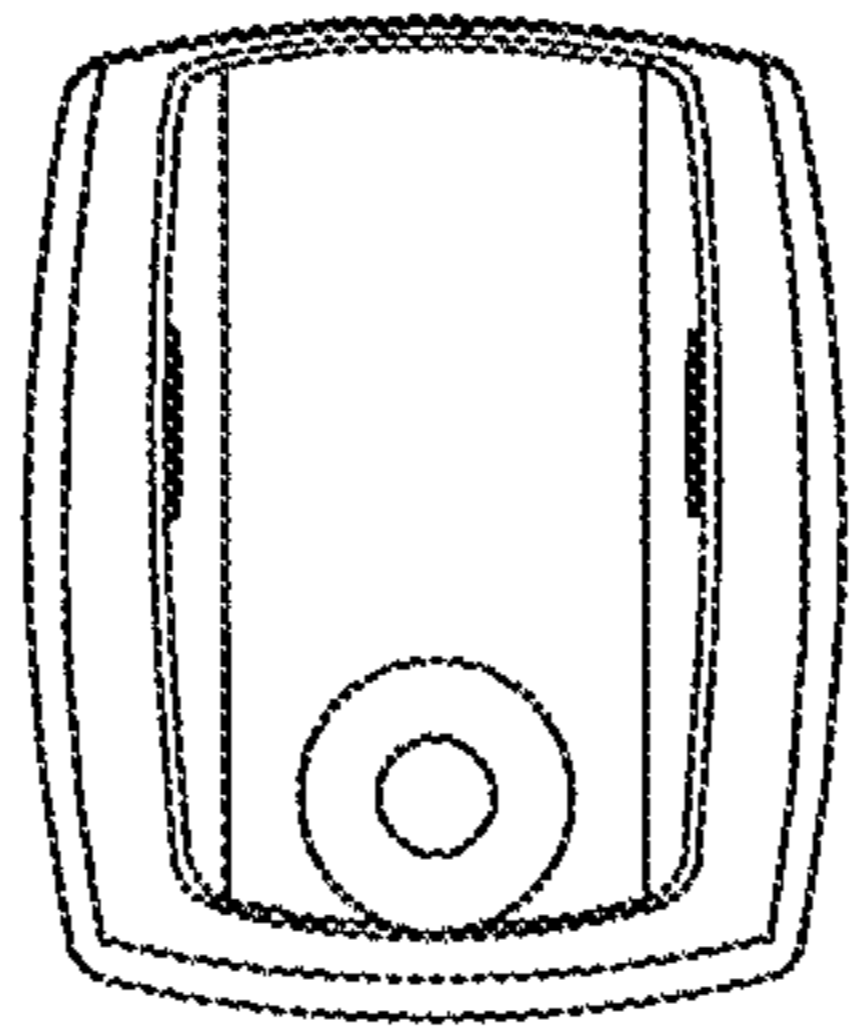


Fig. 7

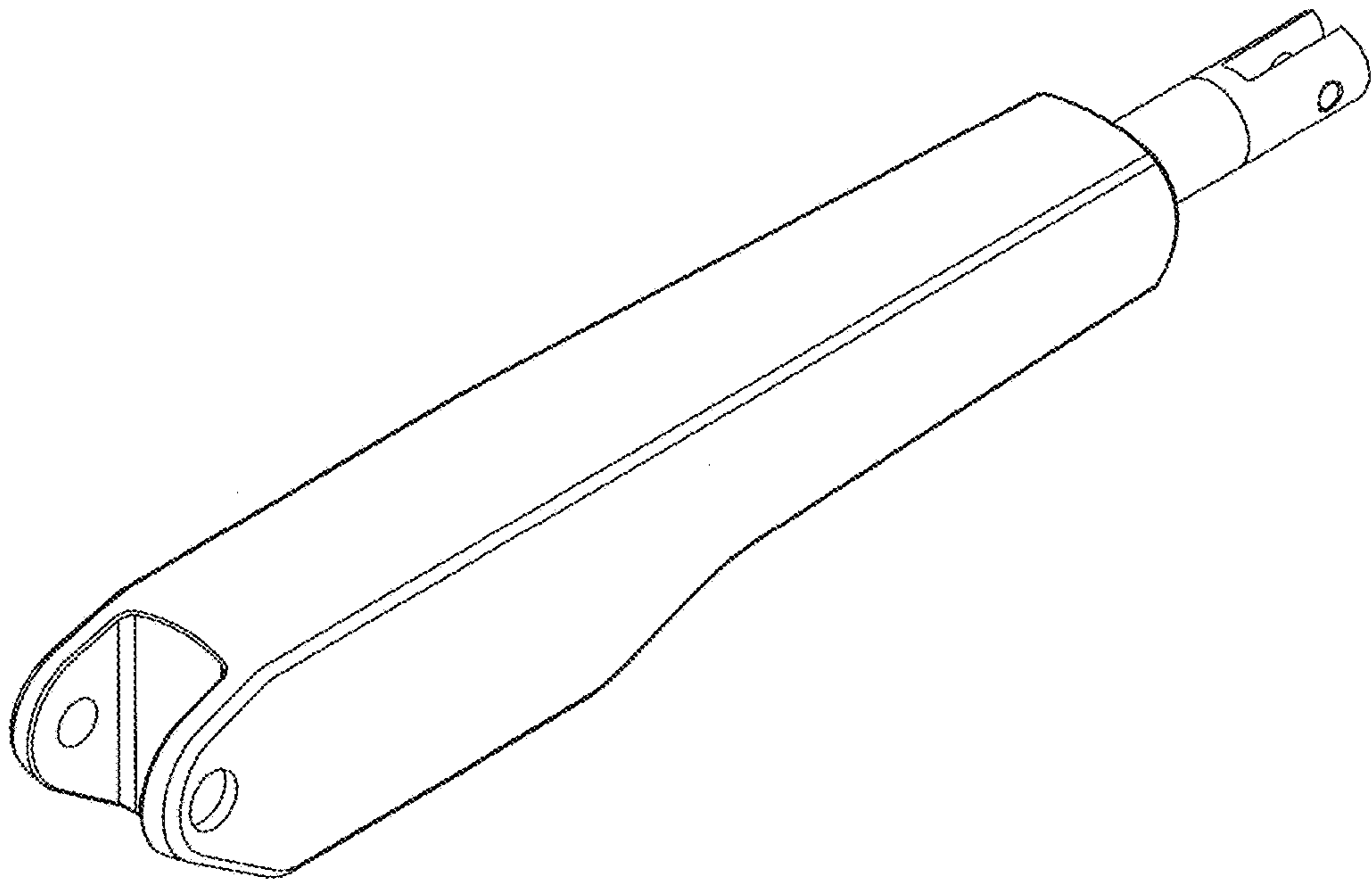


Fig. 8

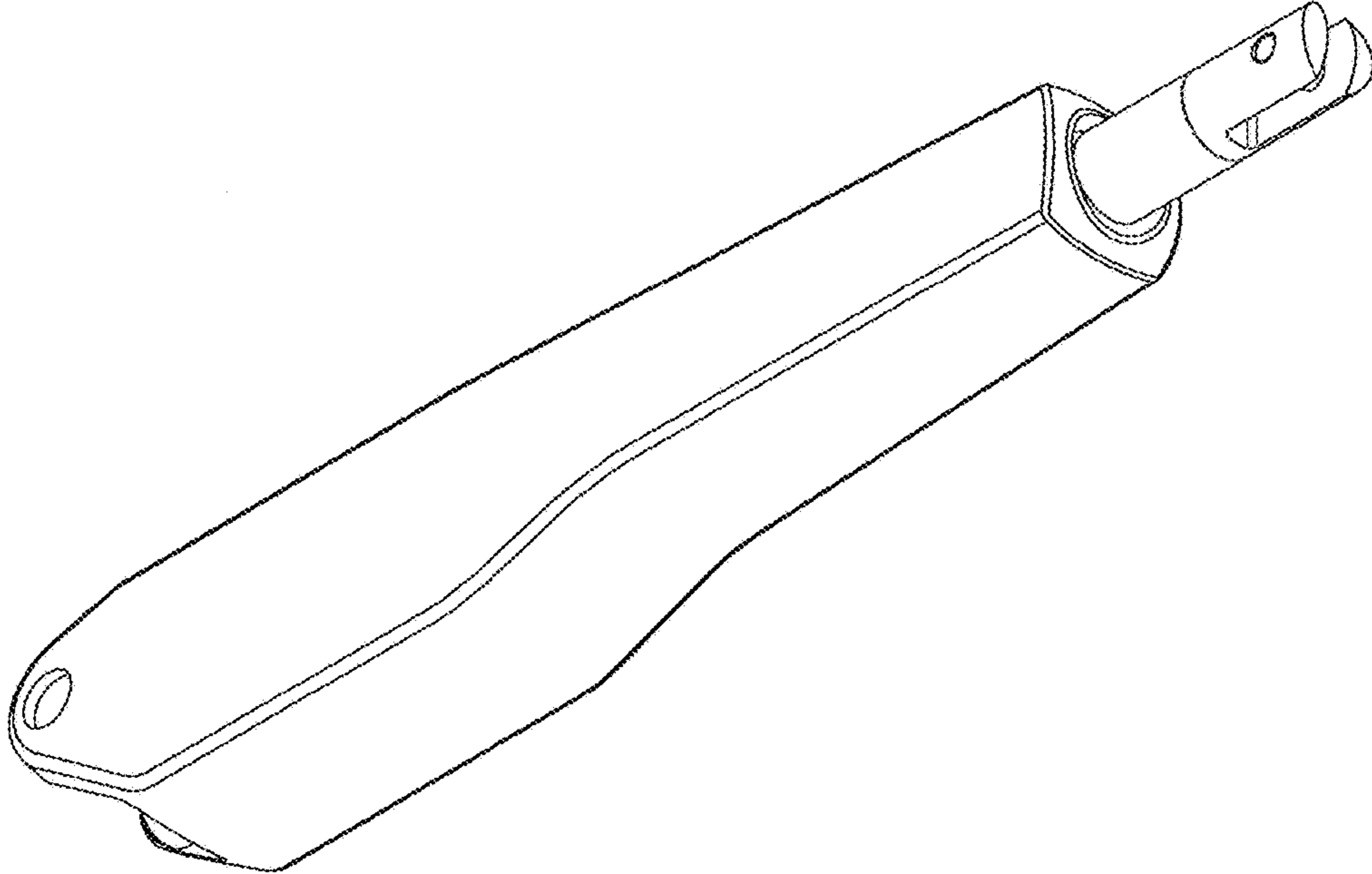


Fig. 9

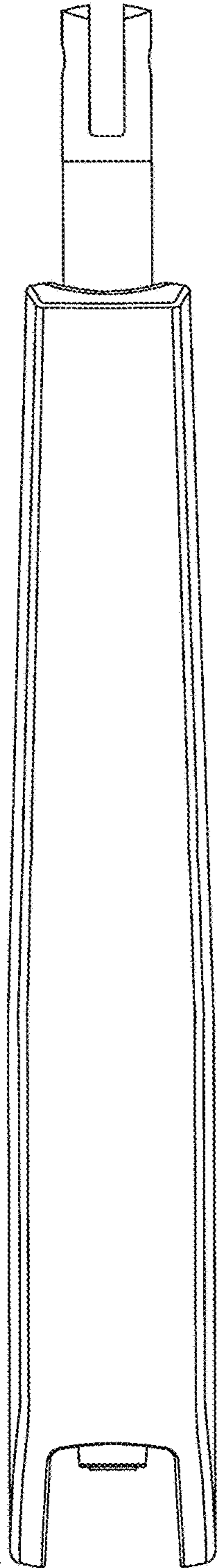


Fig. 10

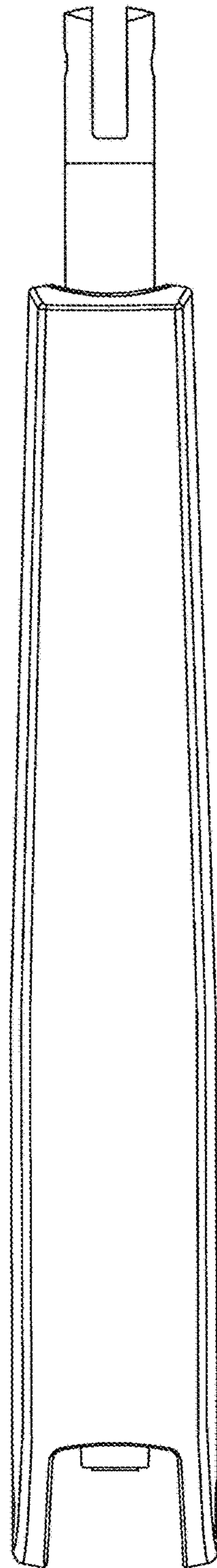


Fig. 11

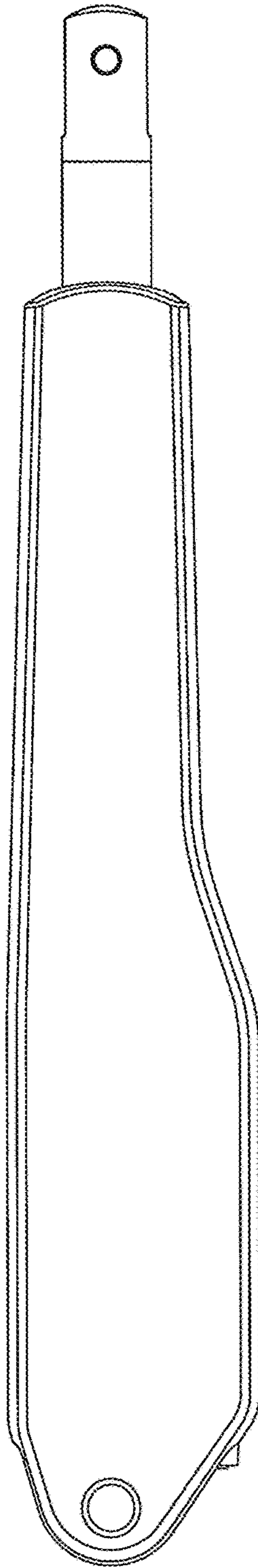


Fig. 12

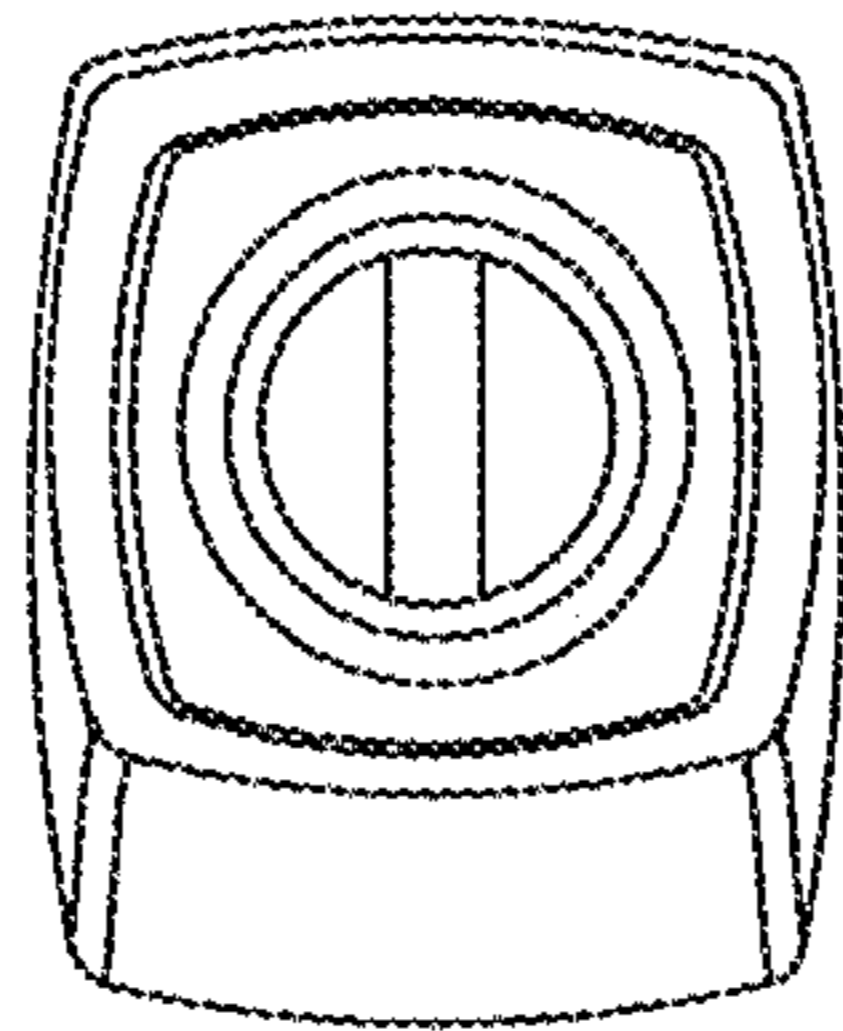


Fig. 13

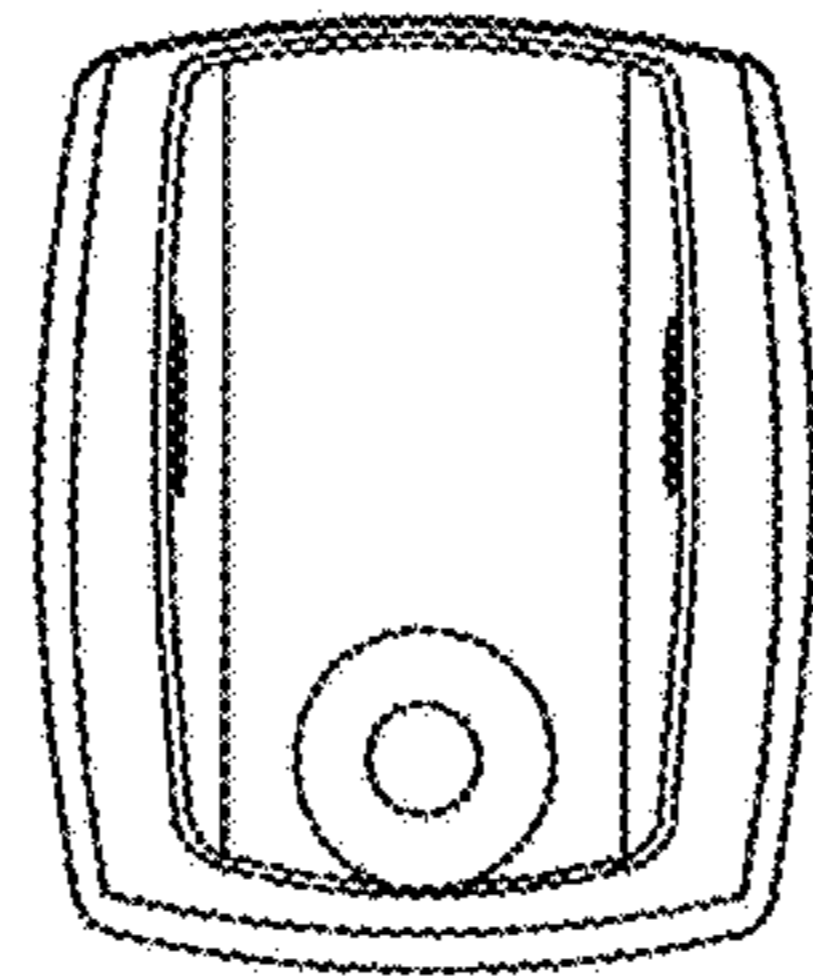


Fig. 14