



US00D865015S

(12) **United States Design Patent**
Huang

(10) **Patent No.:** **US D865,015 S**

(45) **Date of Patent:** **** Oct. 29, 2019**

(54) **FILM DISPENSER**

(71) Applicant: **Yu-Chun Huang**, Taichung (TW)

(72) Inventor: **Yu-Chun Huang**, Taichung (TW)

(**) Term: **15 Years**

(21) Appl. No.: **29/640,540**

(22) Filed: **Mar. 15, 2018**

(30) **Foreign Application Priority Data**

Jan. 19, 2018 (TW) 107300380

(51) **LOC (12) Cl.** **15-99**

(52) **U.S. Cl.**

USPC **D15/145**; D8/358

(58) **Field of Classification Search**

USPC D6/518, 521; D8/70.1, 356, 358;
D9/455, 711; D16/237, 246, 249, 250;
53/221, 389.4, 390, 441; 156/577;
225/1, 39, 77, 89; 242/423, 423.1, 578.2,
242/588, 599.2; 396/661

CPC ... B65B 11/045; B65B 11/025; B65B 67/085;
B65H 75/185; B65H 2701/1944; B65H
2301/418526; B65H 75/241; B65H
16/005; B65H 2403/731; B65H 2511/12;
B65H 2220/04

See application file for complete search history.

(56) **References Cited**

U.S. PATENT DOCUMENTS

D697,332 S * 1/2014 Huang D6/518
D810,797 S * 2/2018 Love D15/145

D833,492 S * 11/2018 Stevens D15/145
D844,037 S * 3/2019 Stevens D15/145
2011/0041458 A1* 2/2011 Yu Chen B65B 67/085
53/389.4

2016/0289033 A1* 10/2016 Love B65H 75/185
2016/0347574 A1* 12/2016 Yu Chen B65H 75/242

* cited by examiner

Primary Examiner — Wan Laymon

Assistant Examiner — Mark Booker

(74) *Attorney, Agent, or Firm* — Muncy, Geissler, Olds & Lowe, P.C.

(57) **CLAIM**

The ornamental design for a film dispenser, as shown and described.

DESCRIPTION

FIG. 1 is a perspective view of a film dispenser of the present design;

FIG. 2 is a front view thereof;

FIG. 3 is a rear view thereof;

FIG. 4 is a left side view thereof;

FIG. 5 is a right side view thereof;

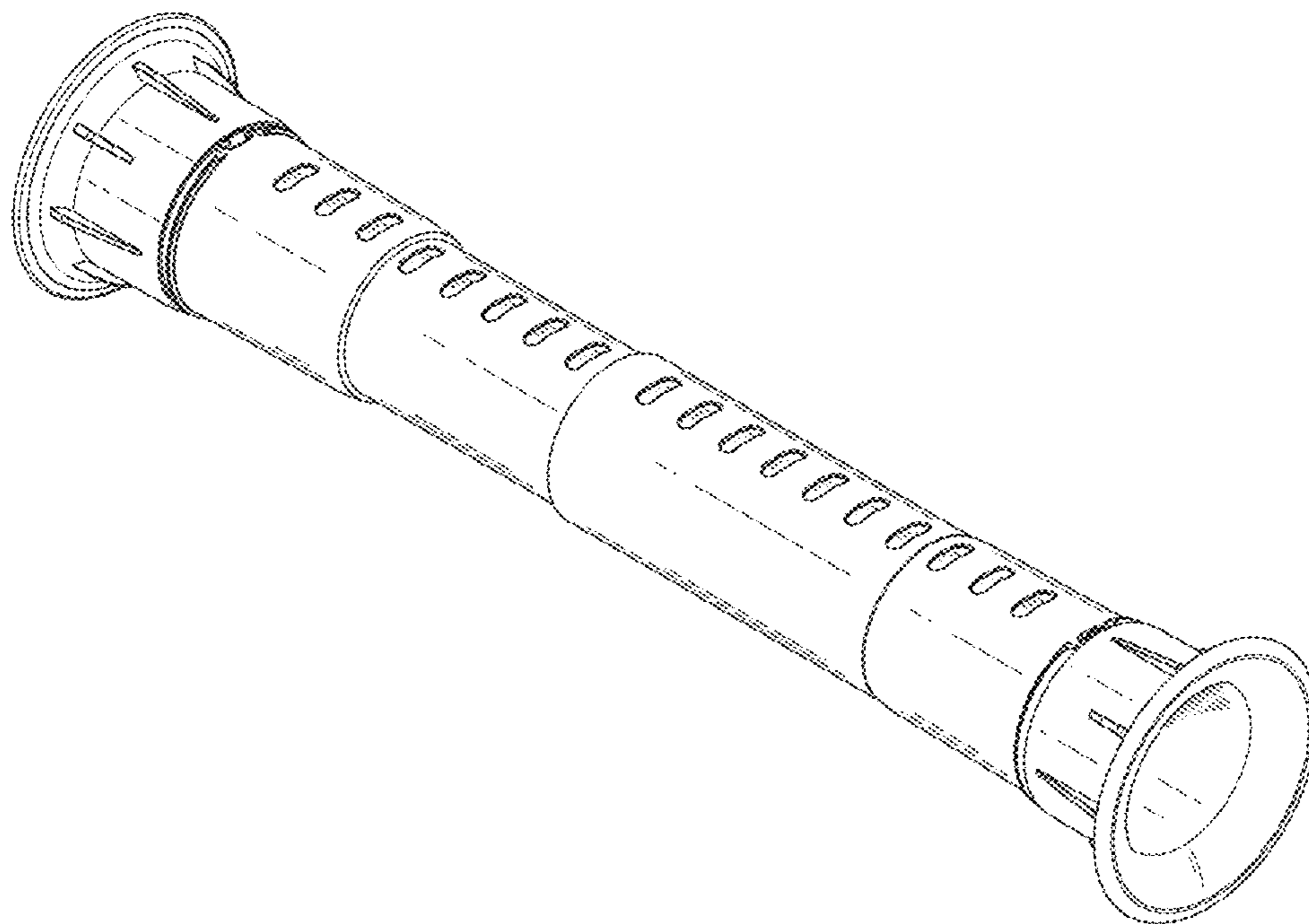
FIG. 6 is a top view thereof;

FIG. 7 is a bottom view thereof;

FIG. 8 is a section view taken along line “A-A” of FIG. 5; and,

FIG. 9 is an exploded perspective view thereof.

1 Claim, 6 Drawing Sheets



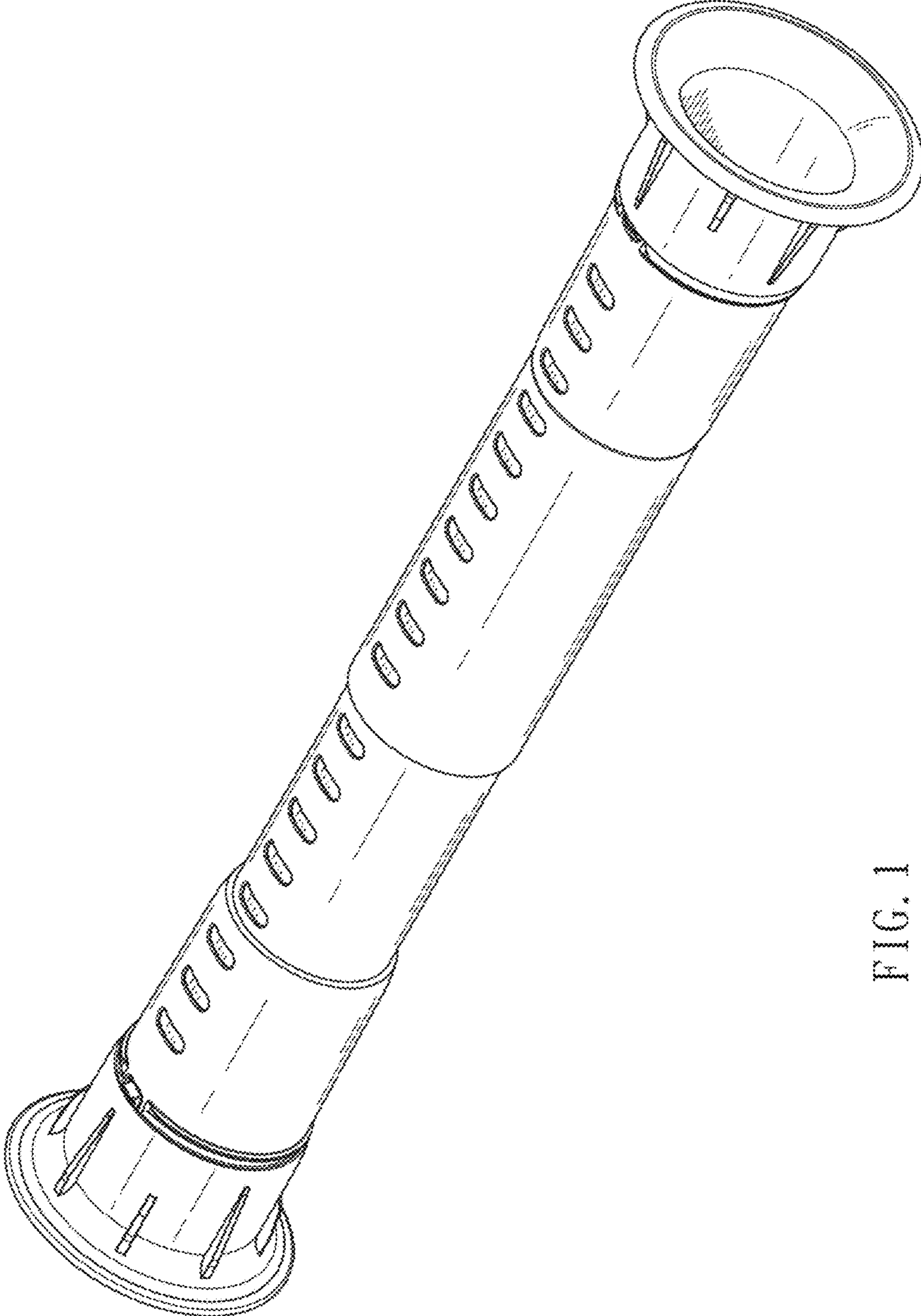


FIG. 1

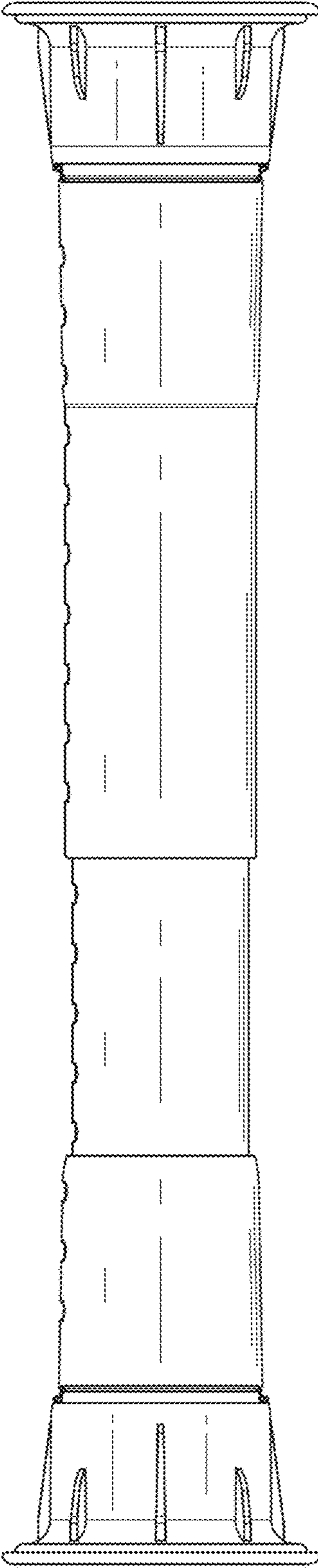


FIG. 2

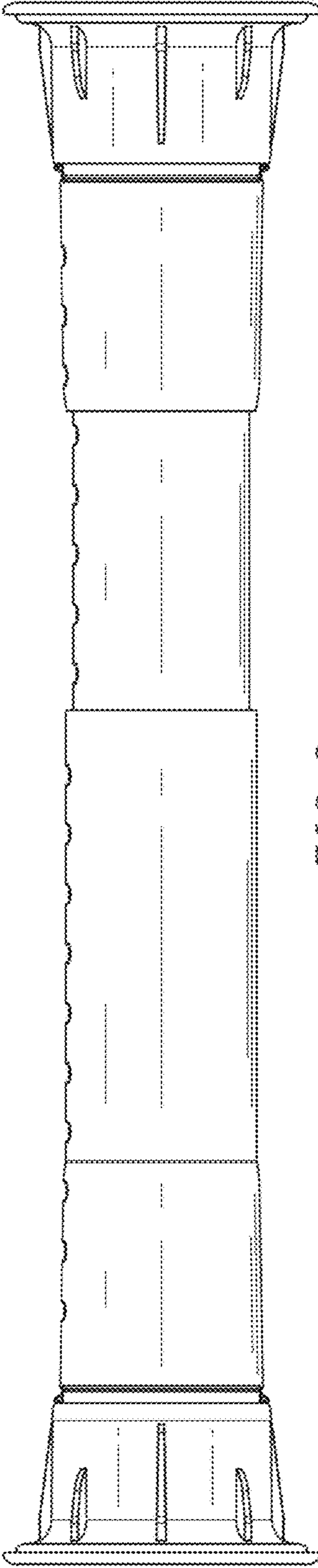


FIG. 3

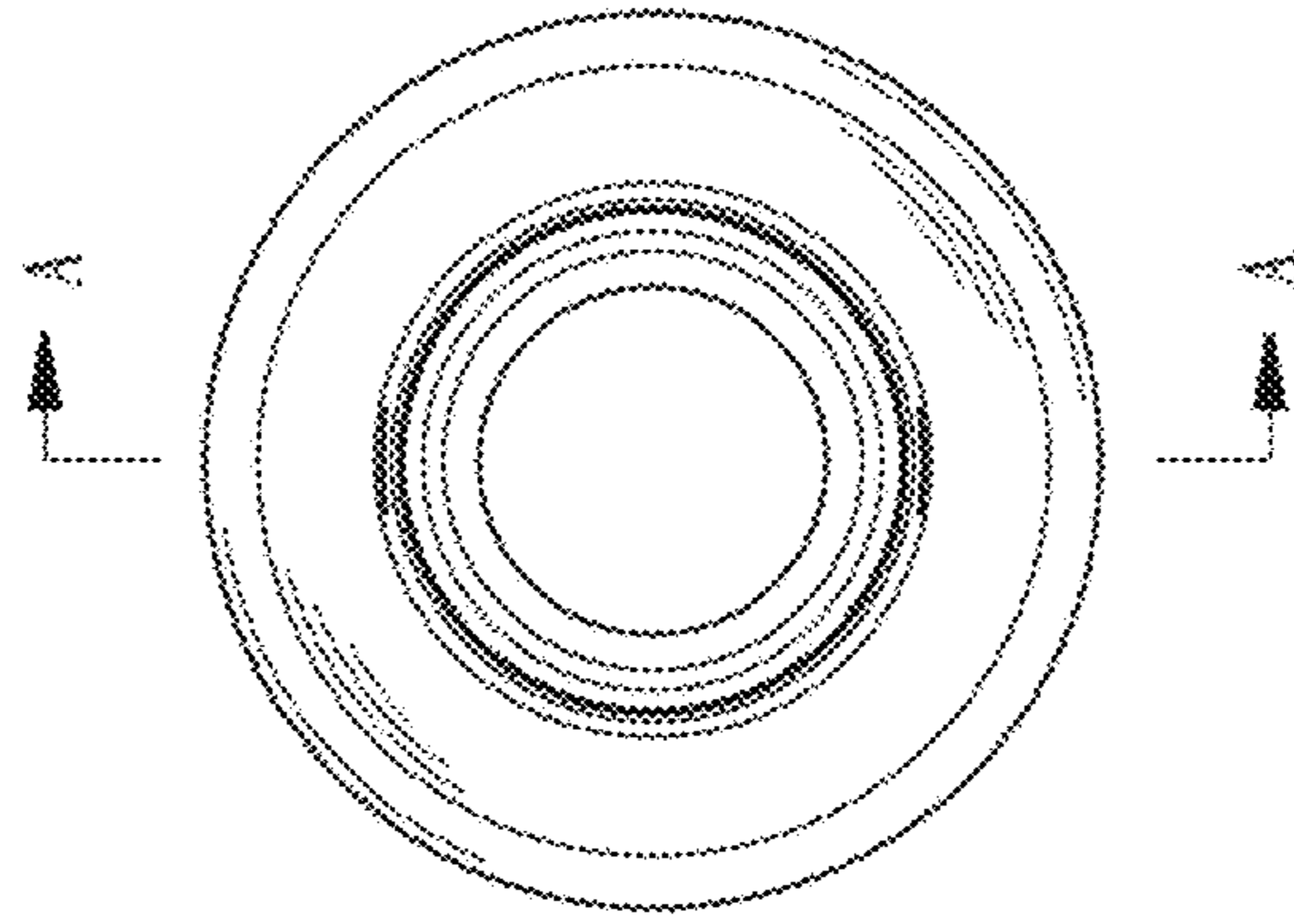


FIG. 5

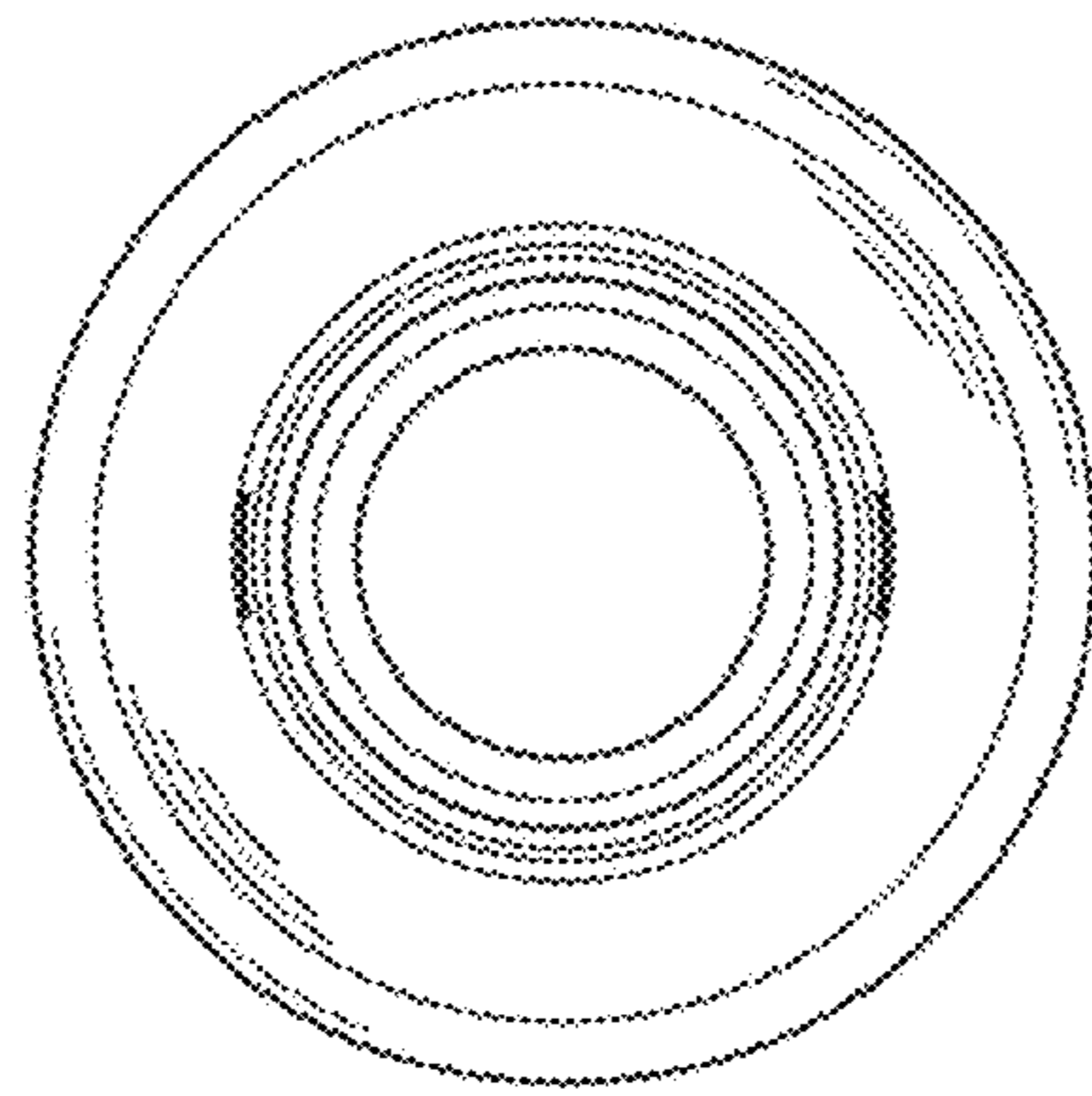


FIG. 4

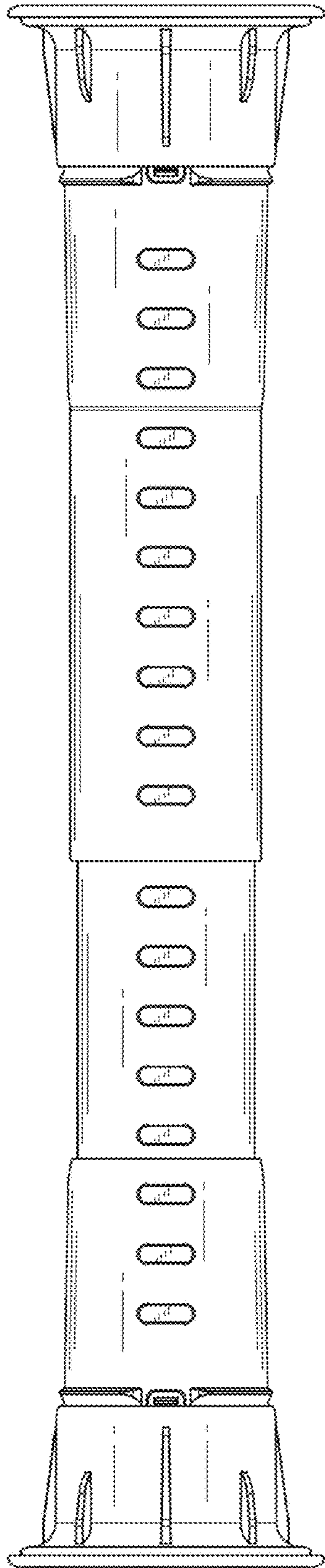


FIG. 6

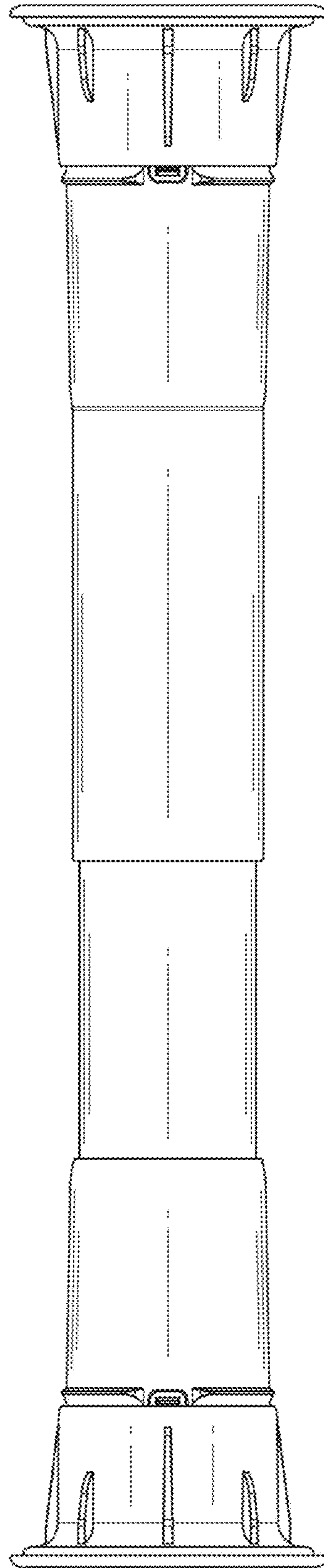


FIG. 7

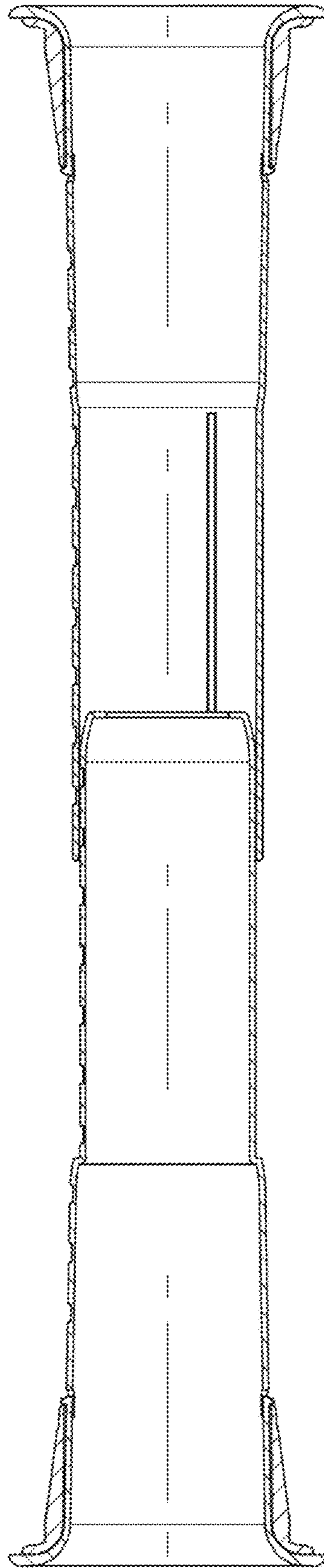


FIG. 8

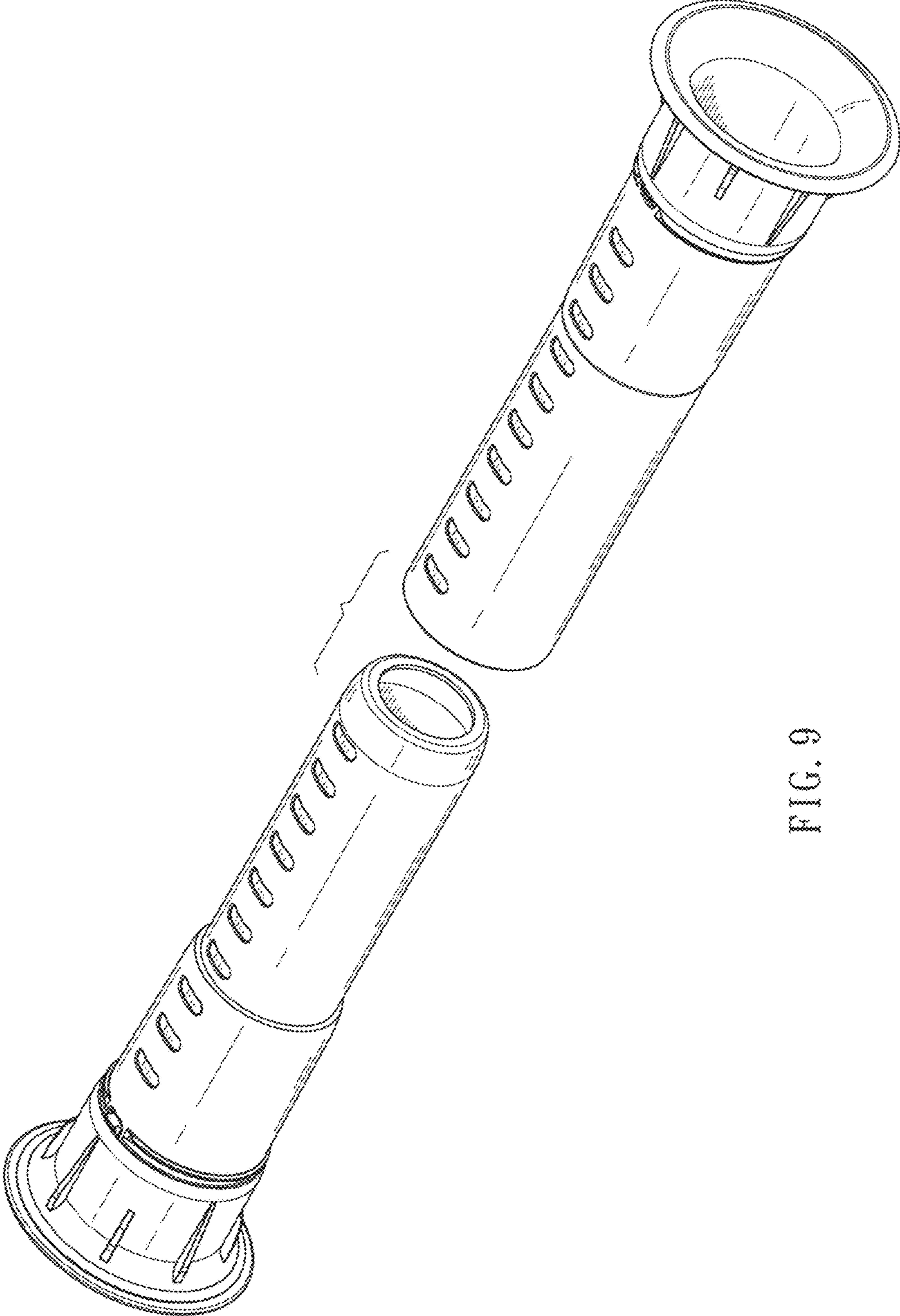


FIG. 9