

US00D865014S

(12) **United States Design Patent** (10) **Patent No.:** **US D865,014 S**
Xu (45) **Date of Patent:** **** Oct. 29, 2019**

(54) **DIGITAL DISPLAY SOLDERING IRON**
(71) Applicant: **Xinning Xu**, Hunan Province (CN)
(72) Inventor: **Xinning Xu**, Hunan Province (CN)
(**) Term: **15 Years**
(21) Appl. No.: **29/701,705**
(22) Filed: **Aug. 14, 2019**
(51) **LOC (12) Cl.** **15-09**
(52) **U.S. Cl.**
USPC **D15/144.2**; D8/30
(58) **Field of Classification Search**
USPC D8/29, 29.1, 30, 61; D15/144, 144.1,
D15/144.2
CPC B23K 3/021; B23K 3/022; B23K 3/023;
B23K 3/033; B23K 3/046; B23K 3/3023;
B23K 3/0338; B23K 3/0346
See application file for complete search history.

(56) **References Cited**

U.S. PATENT DOCUMENTS

3,699,306 A * 10/1972 Finch B23K 3/0338
219/241
D243,147 S * 1/1977 Sylvester D8/30
D300,200 S * 3/1989 Arehart D8/30
D300,297 S * 3/1989 Arehart D8/30
D317,704 S * 6/1991 Zaborowski D8/30
D330,998 S * 11/1992 Watmore D8/30
5,803,061 A * 9/1998 Kao B23K 3/022
126/413
5,915,955 A * 6/1999 Lin B23K 3/022
126/413
5,921,231 A * 7/1999 Butler B23K 3/022
126/405
5,928,536 A * 7/1999 Lee B23K 3/033
219/229
D442,447 S * 5/2001 Fujiwara D8/30
D442,875 S * 5/2001 Fujiwara D15/144.2

D481,278 S * 10/2003 Murillo D8/30
D489,079 S * 4/2004 Horner-Richardson D15/144
6,874,671 B2 * 4/2005 Hirano B23K 3/022
126/414
D626,809 S * 11/2010 Louet-Feisser D8/30
9,314,863 B2 * 4/2016 Teraoka B23K 3/033
D813,628 S * 3/2018 Tsai D8/30
D829,520 S * 10/2018 Miyazaki D8/30
D847,233 S * 4/2019 Gou D15/144
D847,234 S * 4/2019 Gou D15/144
D847,235 S * 4/2019 Gou D15/144
D848,232 S * 5/2019 Tsai D8/30
2003/0146264 A1 * 8/2003 Miyazaki B23K 3/027
228/51

(Continued)

Primary Examiner — Patricia A Palasik

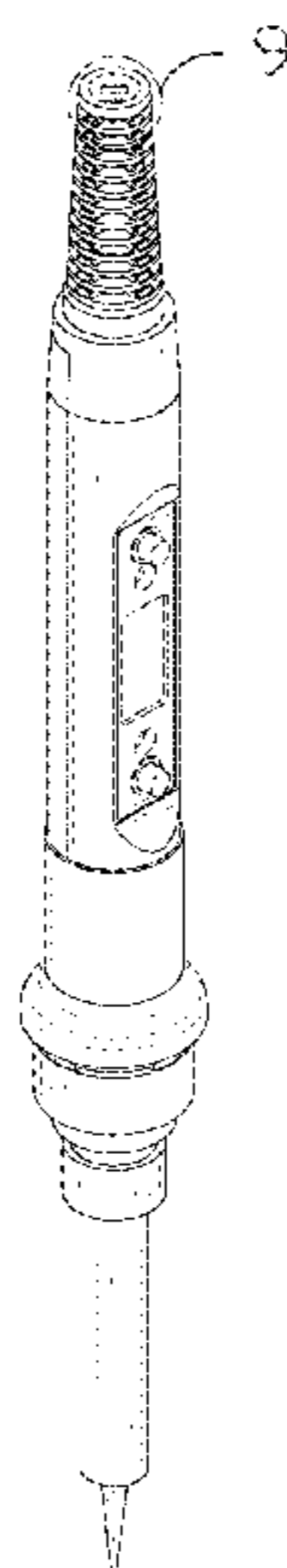
(57) **CLAIM**

The ornamental design for a digital display soldering iron, as shown and described.

DESCRIPTION

FIG. 1 is a front and top perspective view of a digital display soldering iron, showing my new design;
FIG. 2 is a rear and bottom perspective view thereof;
FIG. 3 is a front elevational view thereof;
FIG. 4 is a rear elevational view thereof;
FIG. 5 is a left side elevational view thereof;
FIG. 6 is a right side elevational view thereof;
FIG. 7 is a top plan view thereof;
FIG. 8 is a bottom plan view thereof;
FIG. 9 is an enlarged view of a portion of the digital display soldering iron indicated in circle 9 in FIG. 1; and,
FIG. 10 is an enlarged view of a portion of the digital display soldering iron indicated in circle 10 in FIG. 7.
The broken lines in the figures illustrate portions of the digital display soldering iron that form no part of the claimed design. The dot-dash broken lines in the figures depict the boundaries of the claimed design and form no part thereof.

1 Claim, 10 Drawing Sheets



(56)

References Cited

U.S. PATENT DOCUMENTS

2004/0232132 A1* 11/2004 Masaki B23K 3/033
219/229
2006/0108345 A1* 5/2006 Shigekawa B23K 3/0338
219/229
2013/0105466 A1* 5/2013 Teraoka B23K 3/033
219/538
2017/0368627 A1* 12/2017 Shigekawa B23K 1/00
2018/0111213 A1* 4/2018 Mantes B23K 3/0323
2019/0240756 A1* 8/2019 Weissenberger B23K 3/026

* cited by examiner

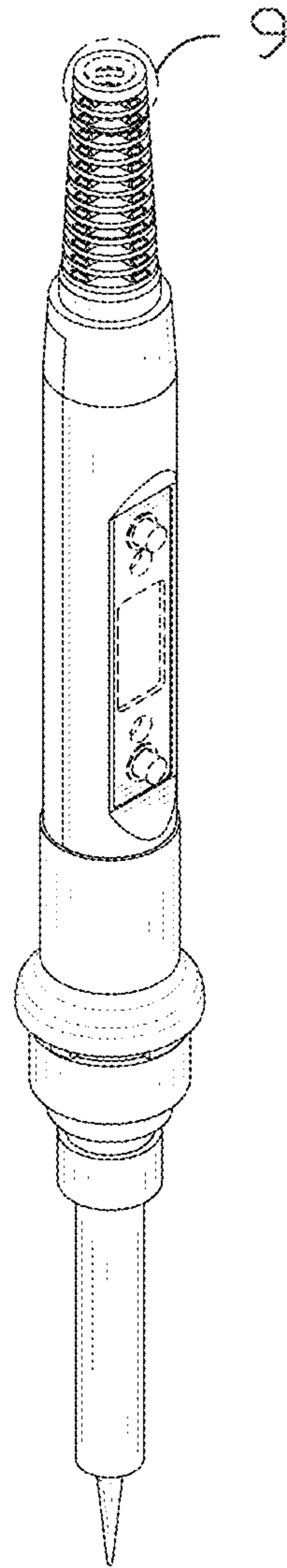


FIG. 1

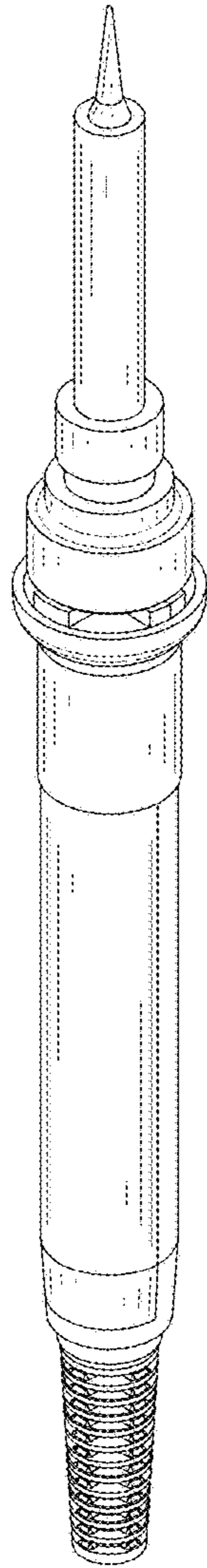


FIG. 2

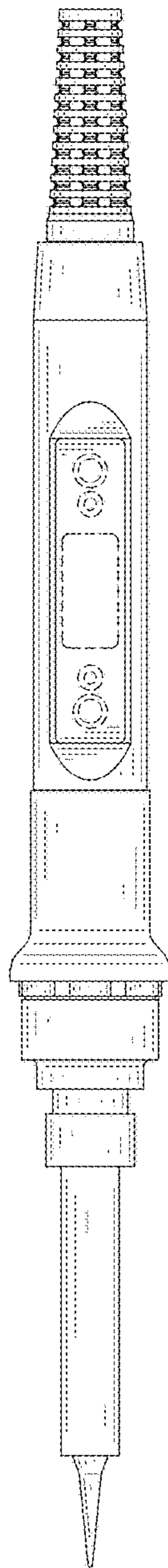


FIG. 3

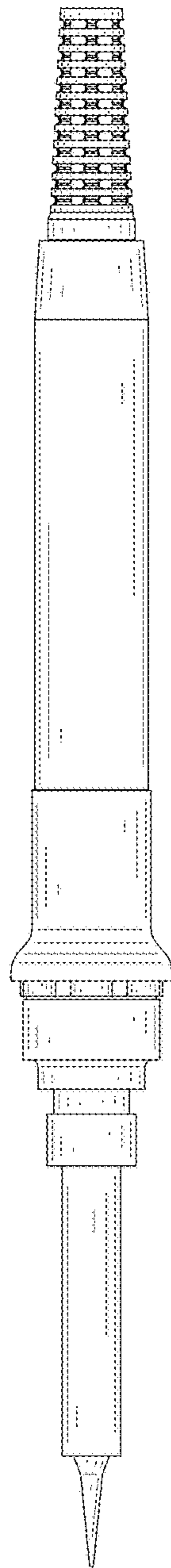


FIG. 4

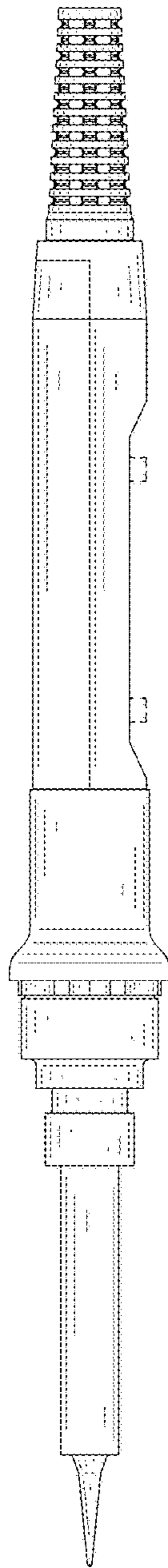


FIG. 5

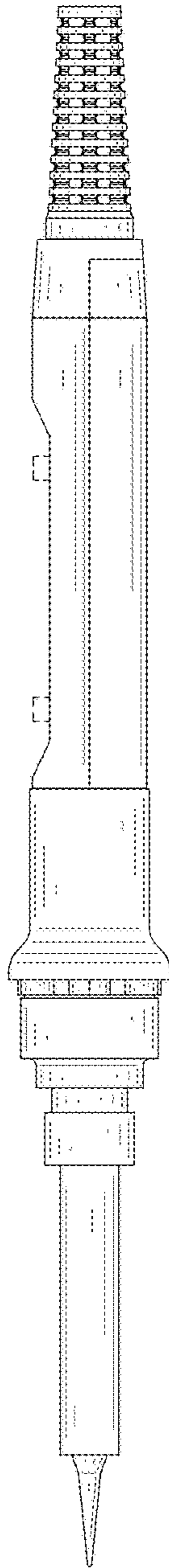


FIG. 6

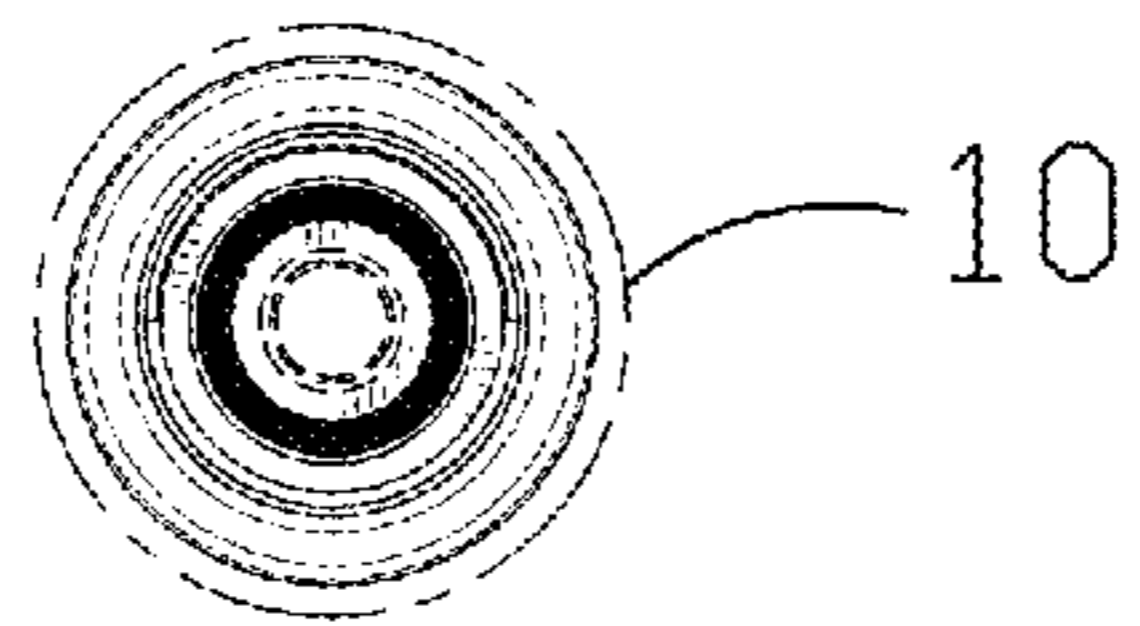


FIG. 7

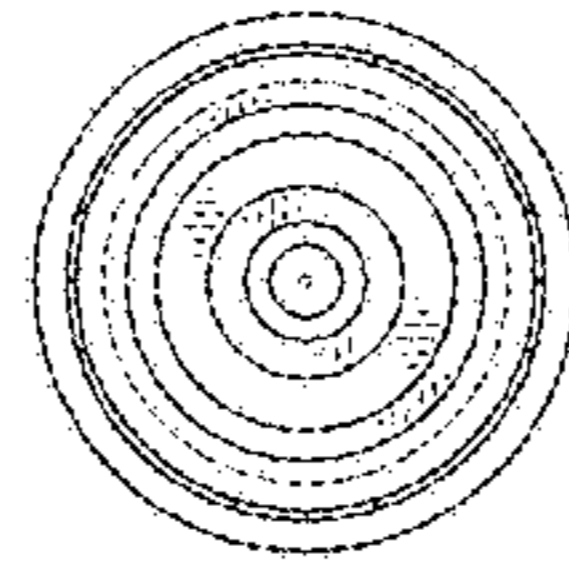


FIG. 8

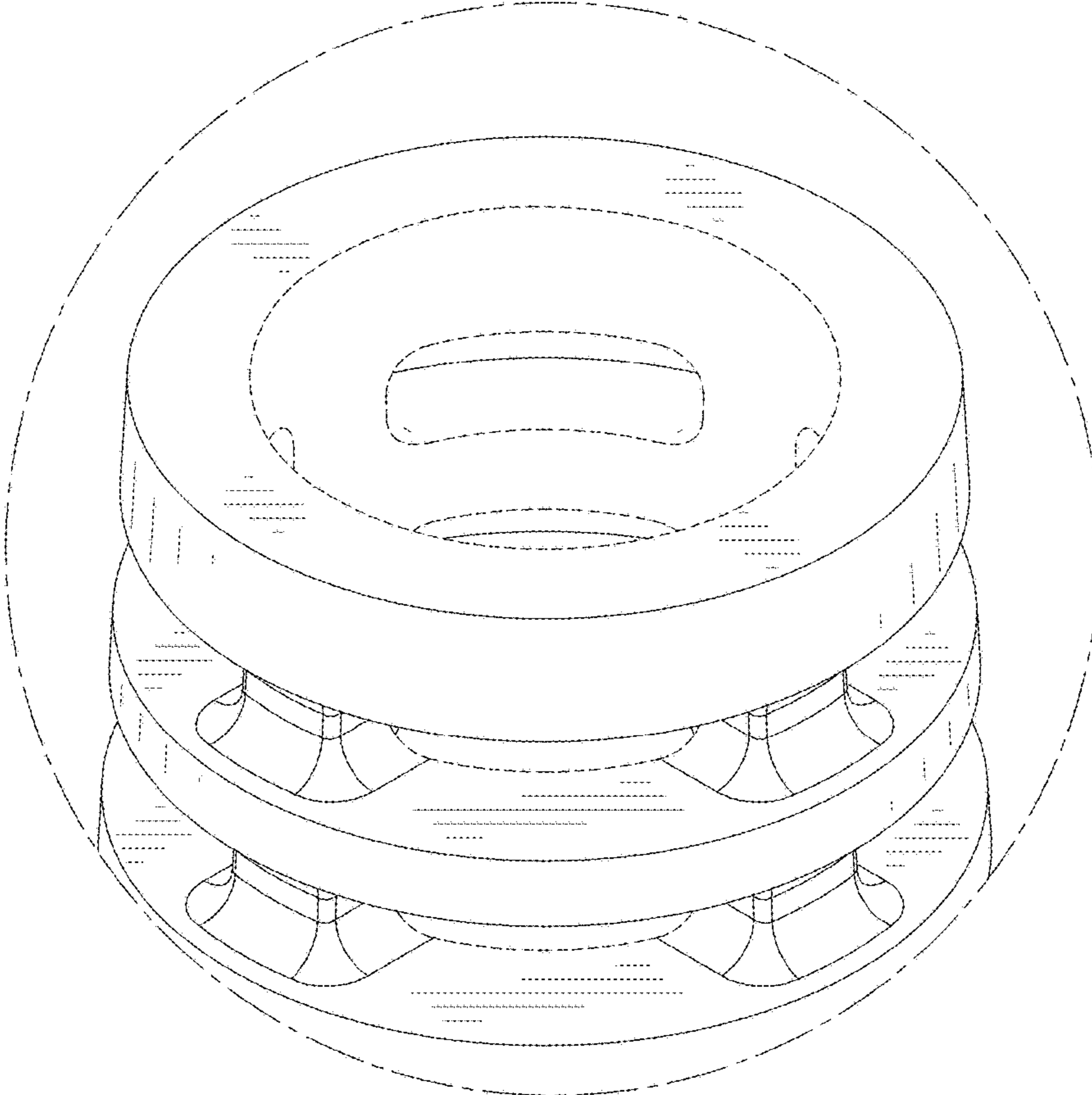


FIG. 9

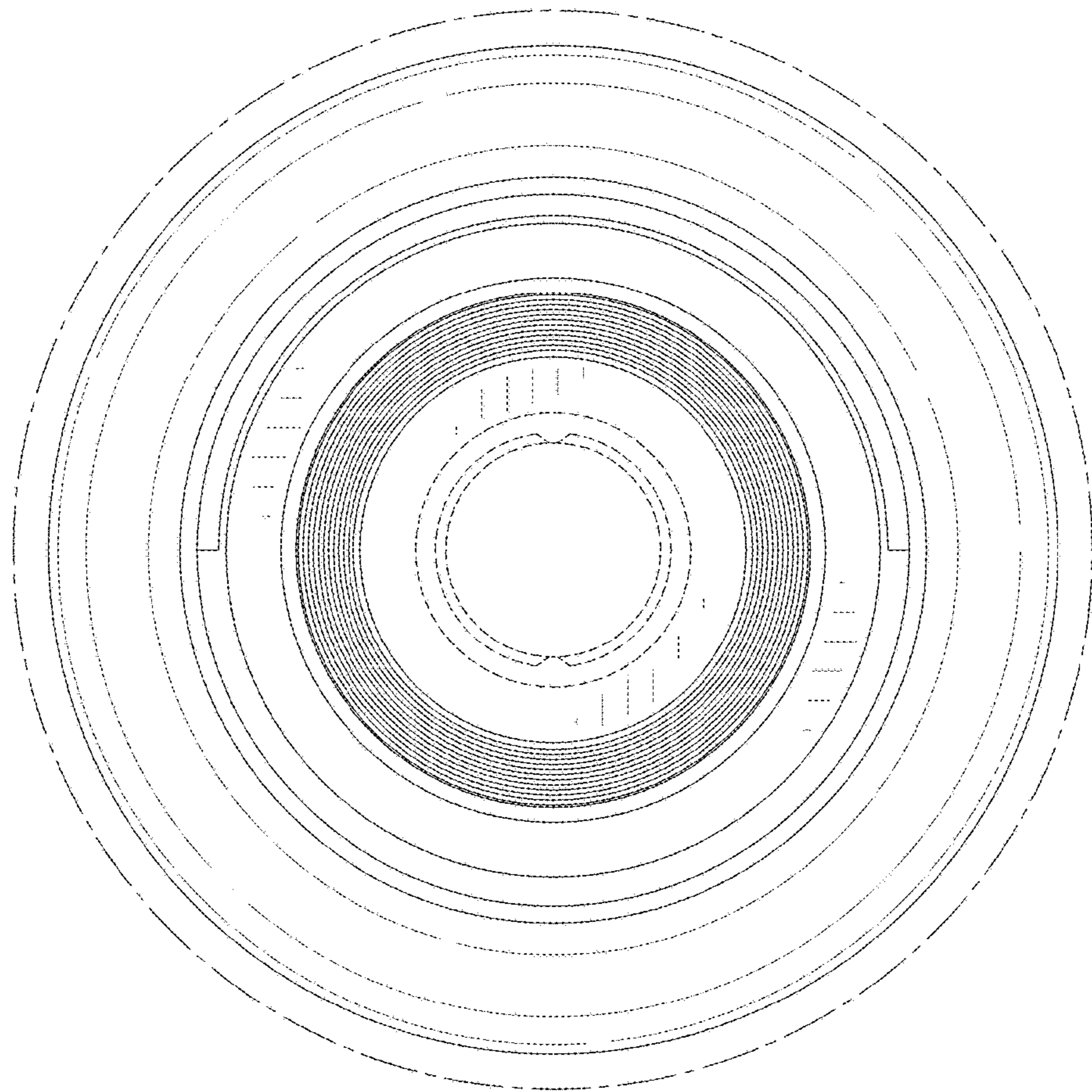


FIG. 10