



US00D865013S

(12) **United States Design Patent**  
**Lin**

(10) **Patent No.:** **US D865,013 S**

(45) **Date of Patent:** **\*\* Oct. 29, 2019**

(54) **ELECTRIC WELDING MACHINE SHELL**

(71) Applicant: **Yang Lin**, Wenling (CN)

(72) Inventor: **Yang Lin**, Wenling (CN)

(\*\*) Term: **15 Years**

(21) Appl. No.: **29/631,028**

(22) Filed: **Dec. 27, 2017**

(30) **Foreign Application Priority Data**

Jun. 27, 2017 (CN) ..... 2017 3 0272156

(51) **LOC (12) Cl.** ..... **15-09**

(52) **U.S. Cl.**  
USPC ..... **D15/144**

(58) **Field of Classification Search**

USPC ..... D8/29.1, 30; D13/123, 133, 144;  
D15/144, 144.1, 144.2

CPC ..... B23K 9/32; B23K 9/028; B23K 9/1006;  
B23K 9/1735; B23K 11/28; B23K 37/053

See application file for complete search history.

(56) **References Cited**

**U.S. PATENT DOCUMENTS**

2,987,214 A \* 6/1961 Radack ..... H01R 13/447  
220/242

D387,847 S \* 12/1997 Wadlington ..... D23/202

5,779,083 A \* 7/1998 Bordwell ..... H02G 3/14  
174/67

D434,440 S \* 11/2000 Lawton ..... D10/64

D518,078 S \* 3/2006 Persson ..... D15/144.1

D569,884 S \* 5/2008 Shu ..... D15/144

D623,205 S \* 9/2010 Flattinger ..... D15/144

D820,332 S \* 6/2018 Brusky ..... D15/144

D836,146 S \* 12/2018 Lin ..... D15/144

\* cited by examiner

*Primary Examiner* — Patricia A Palasik

(74) *Attorney, Agent, or Firm* — Sarika Singh; McNeely,  
Hare & War LLP

(57) **CLAIM**

The ornamental design for an electric welding machine shell, as shown and described.

**DESCRIPTION**

FIG. 1 is a front view of an electric welding machine shell showing my new design;

FIG. 2 is a back view thereof;

FIG. 3 is a left view thereof;

FIG. 4 is a right view thereof;

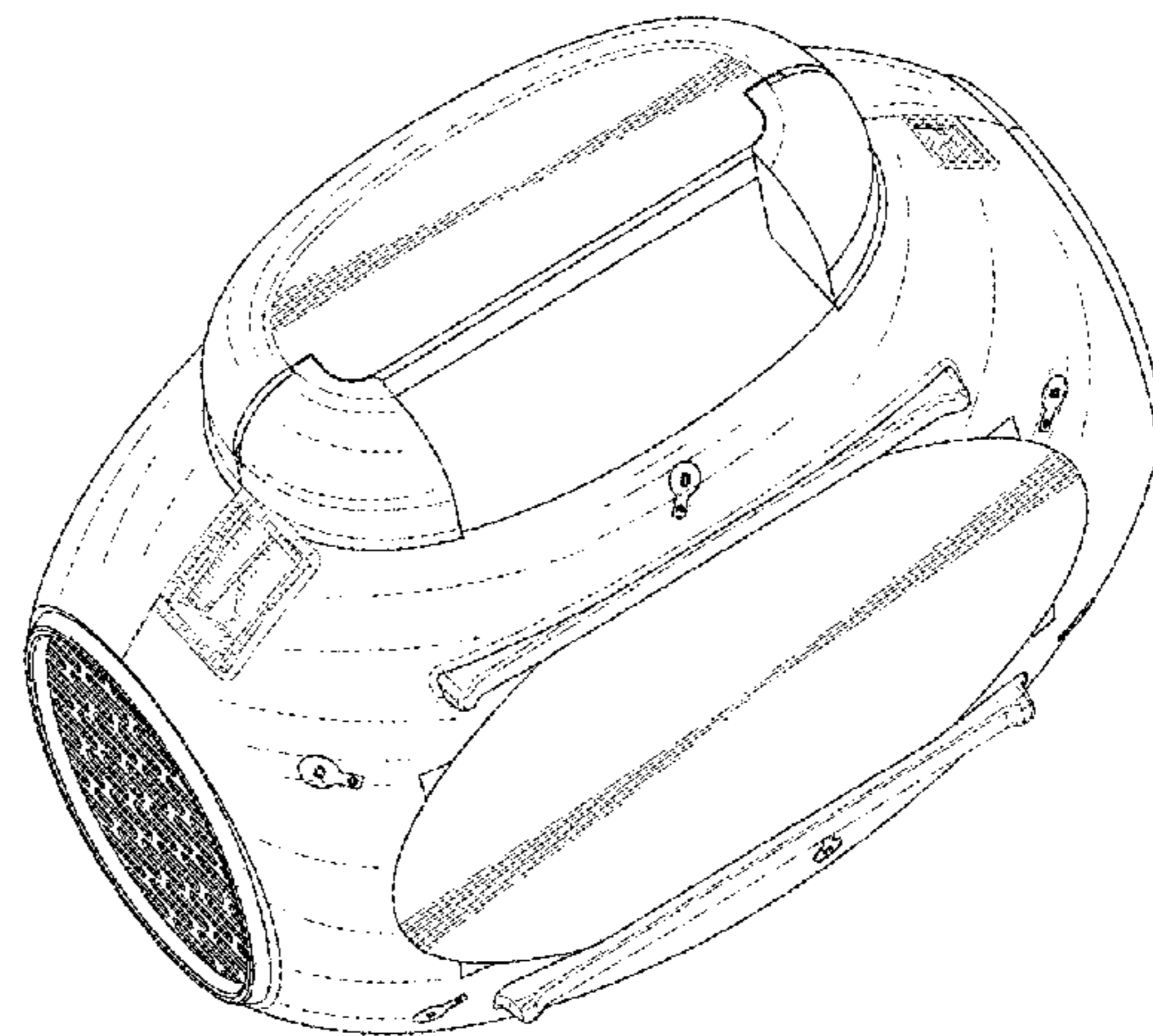
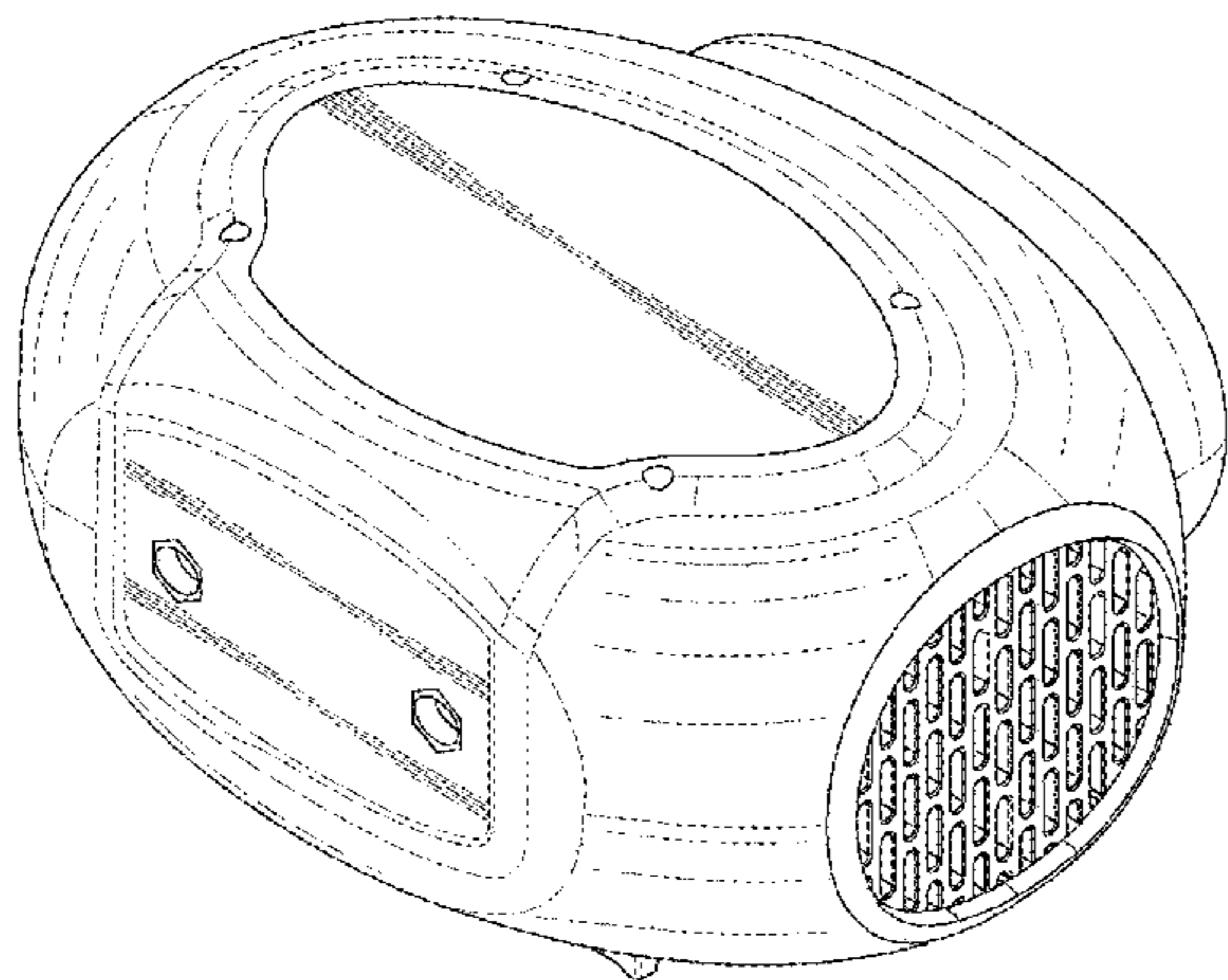
FIG. 5 is a top view thereof;

FIG. 6 is a bottom view thereof;

FIG. 7 is a perspective view thereof; and,

FIG. 8 is another perspective view thereof.

**1 Claim, 6 Drawing Sheets**



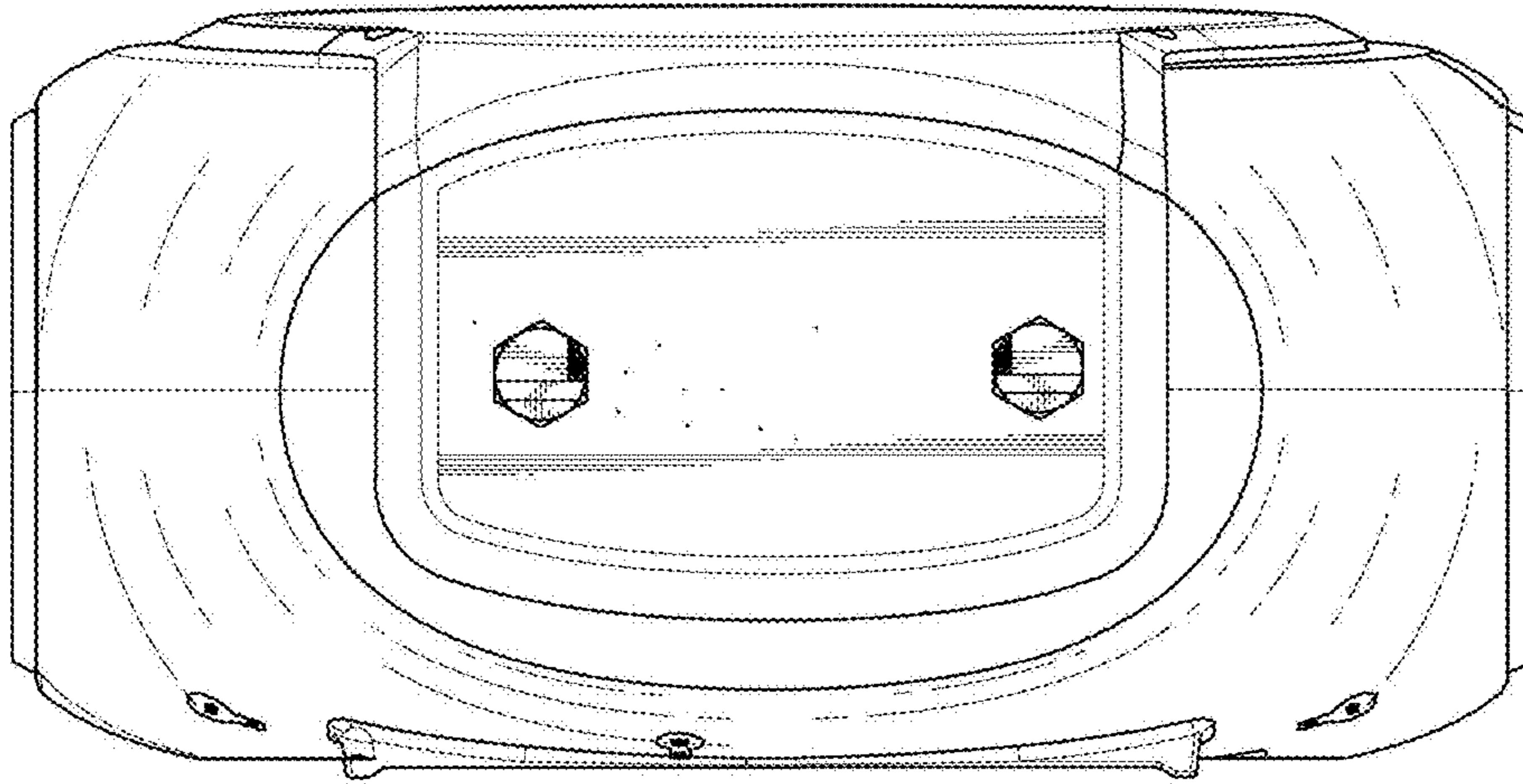


FIG. 1

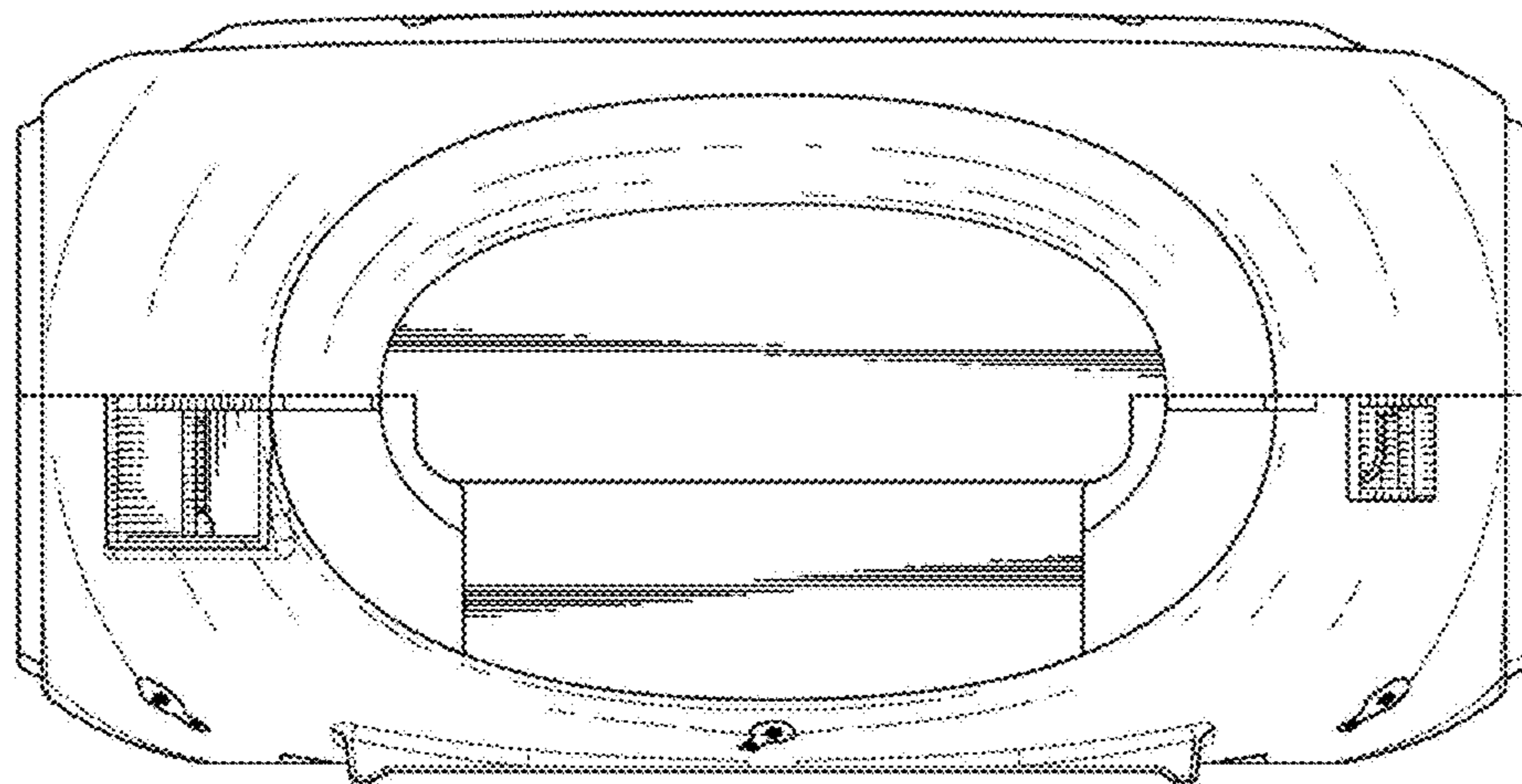


FIG. 2

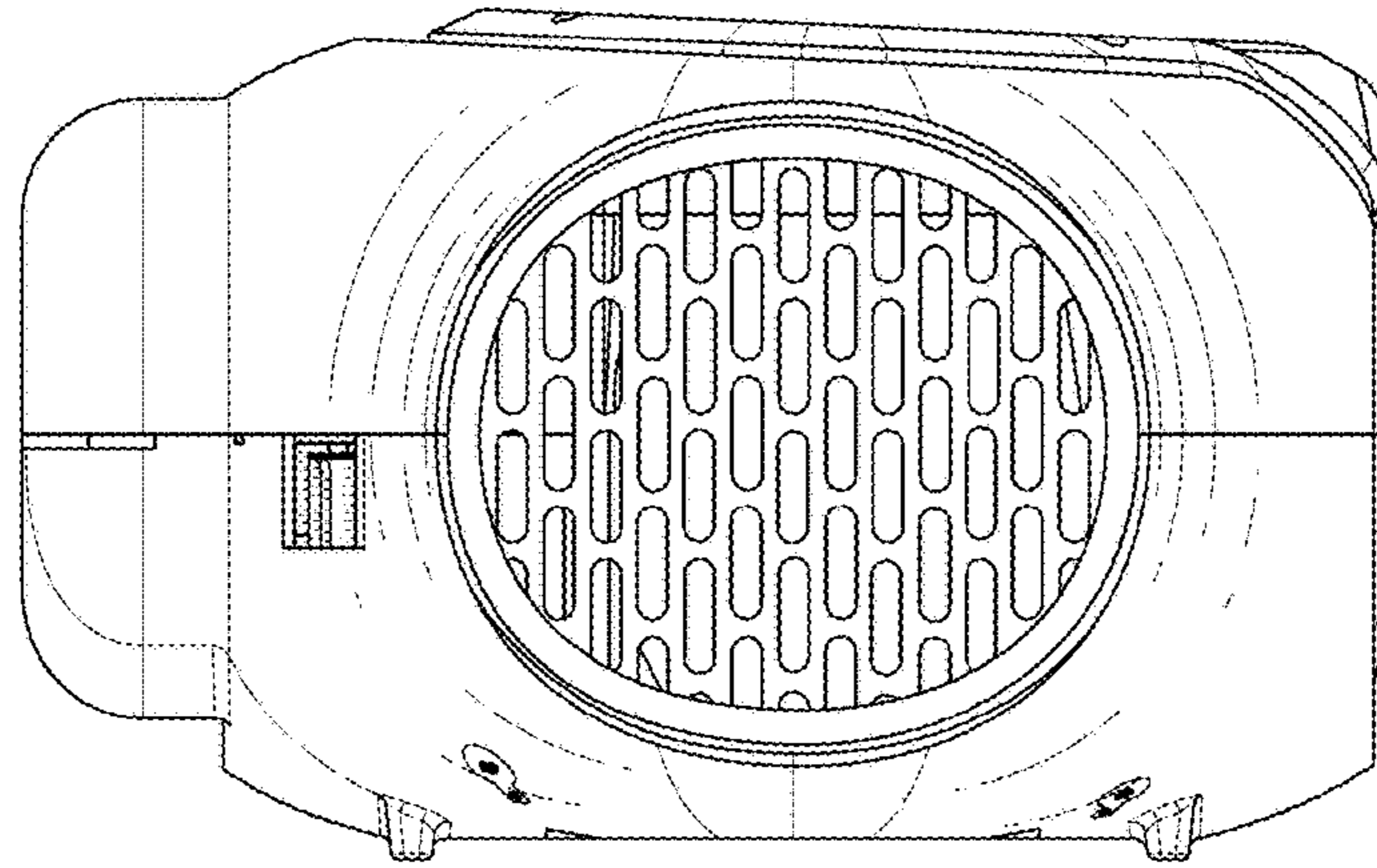


FIG. 3

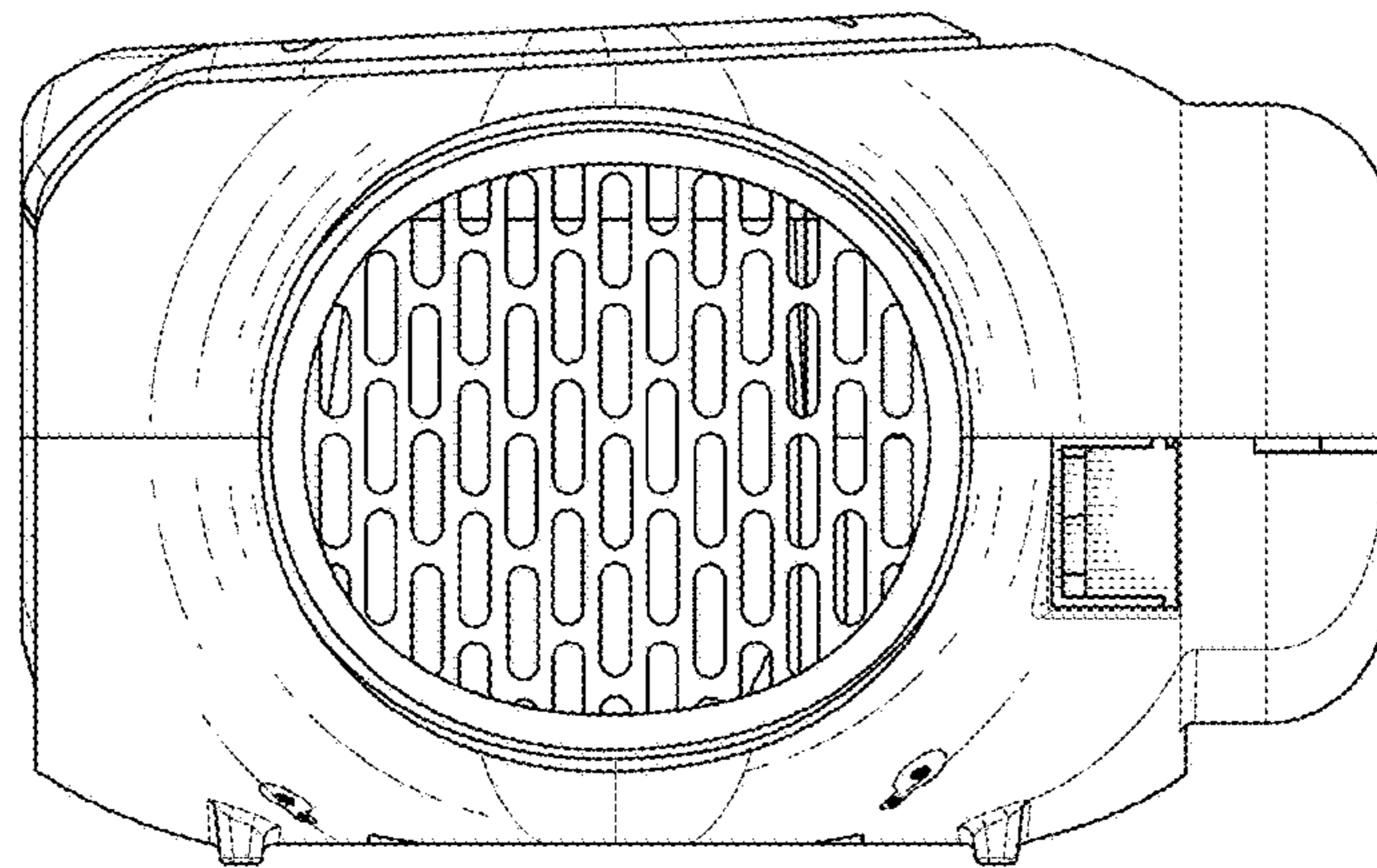


FIG. 4

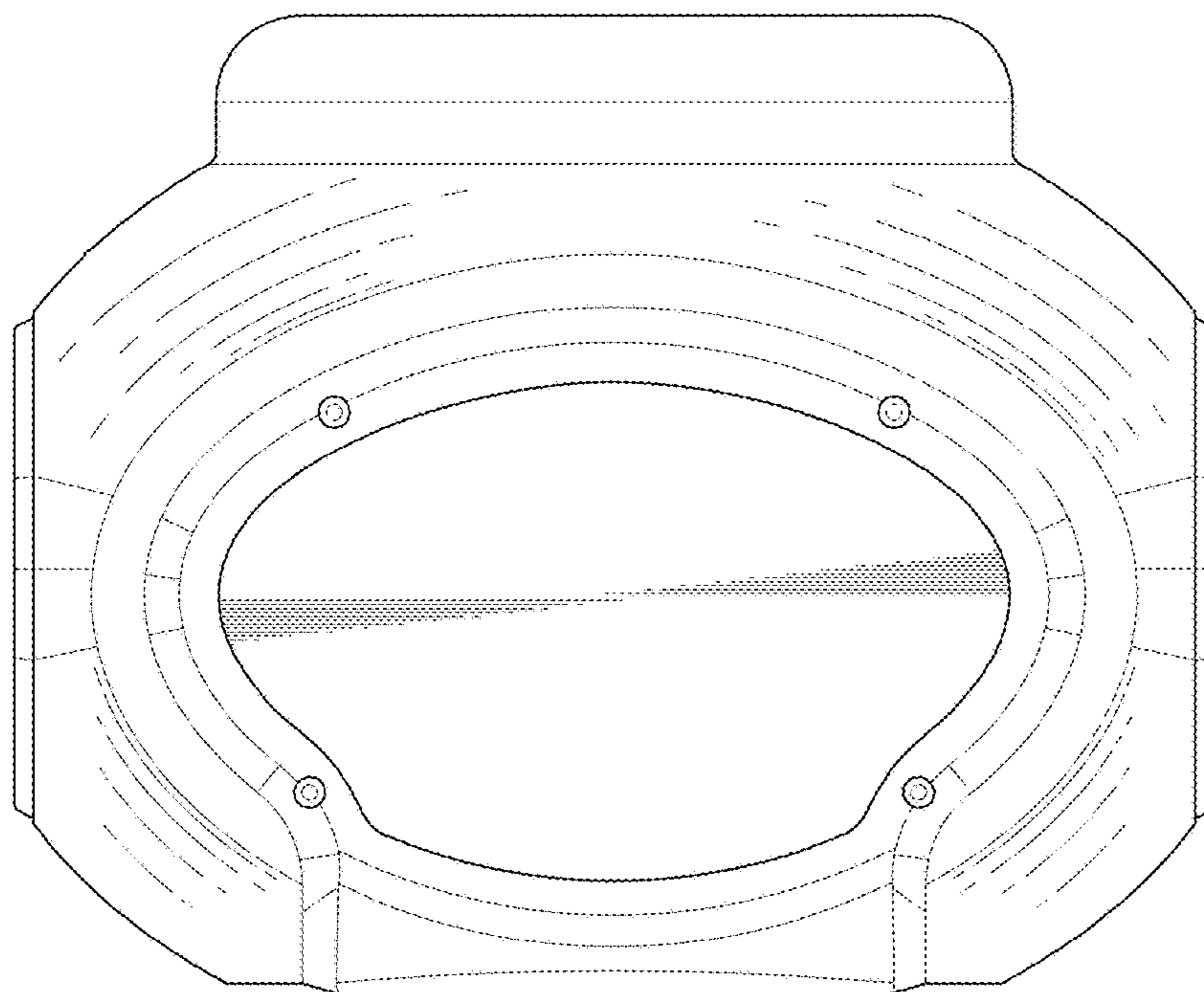


FIG. 5

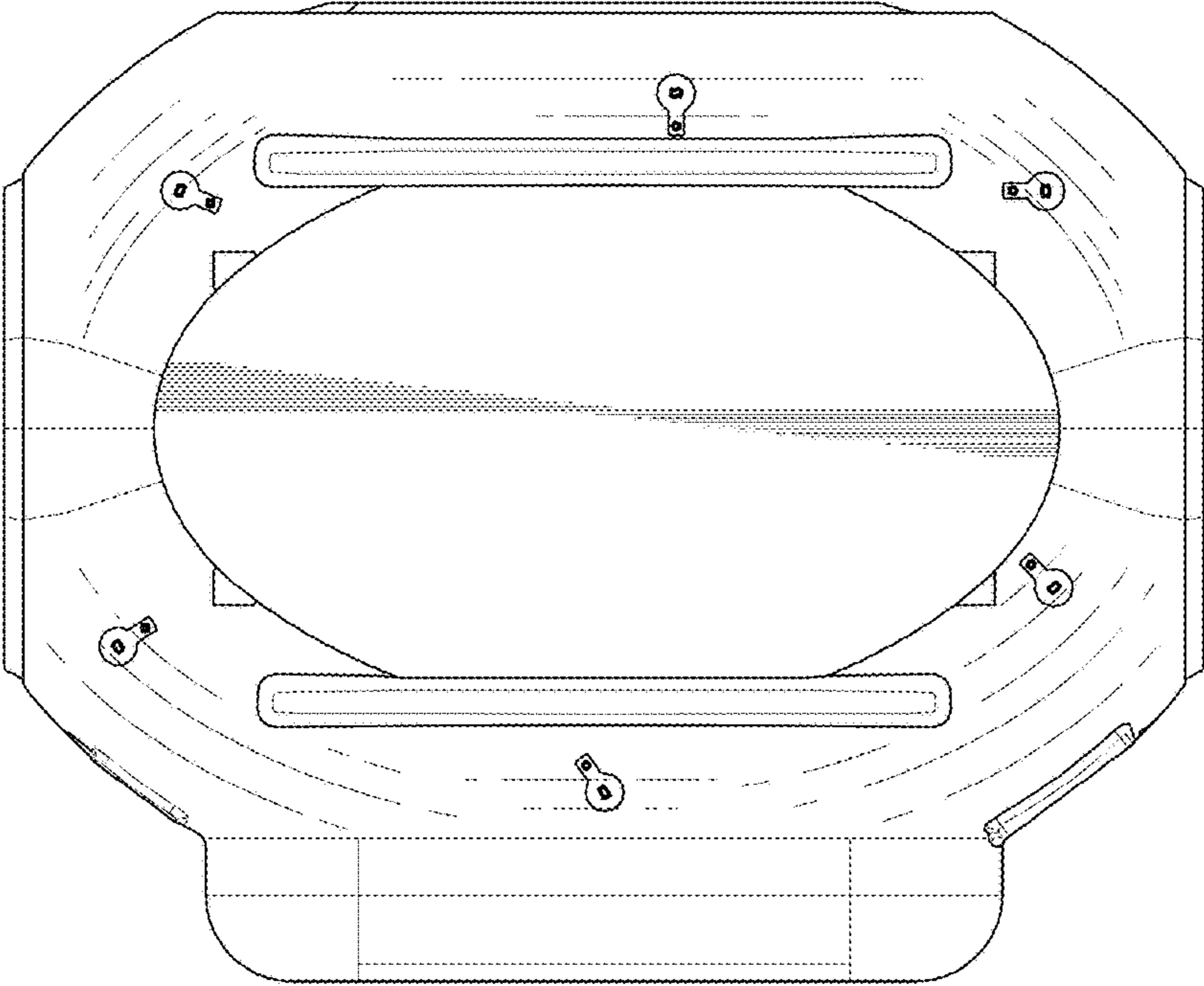


FIG. 6

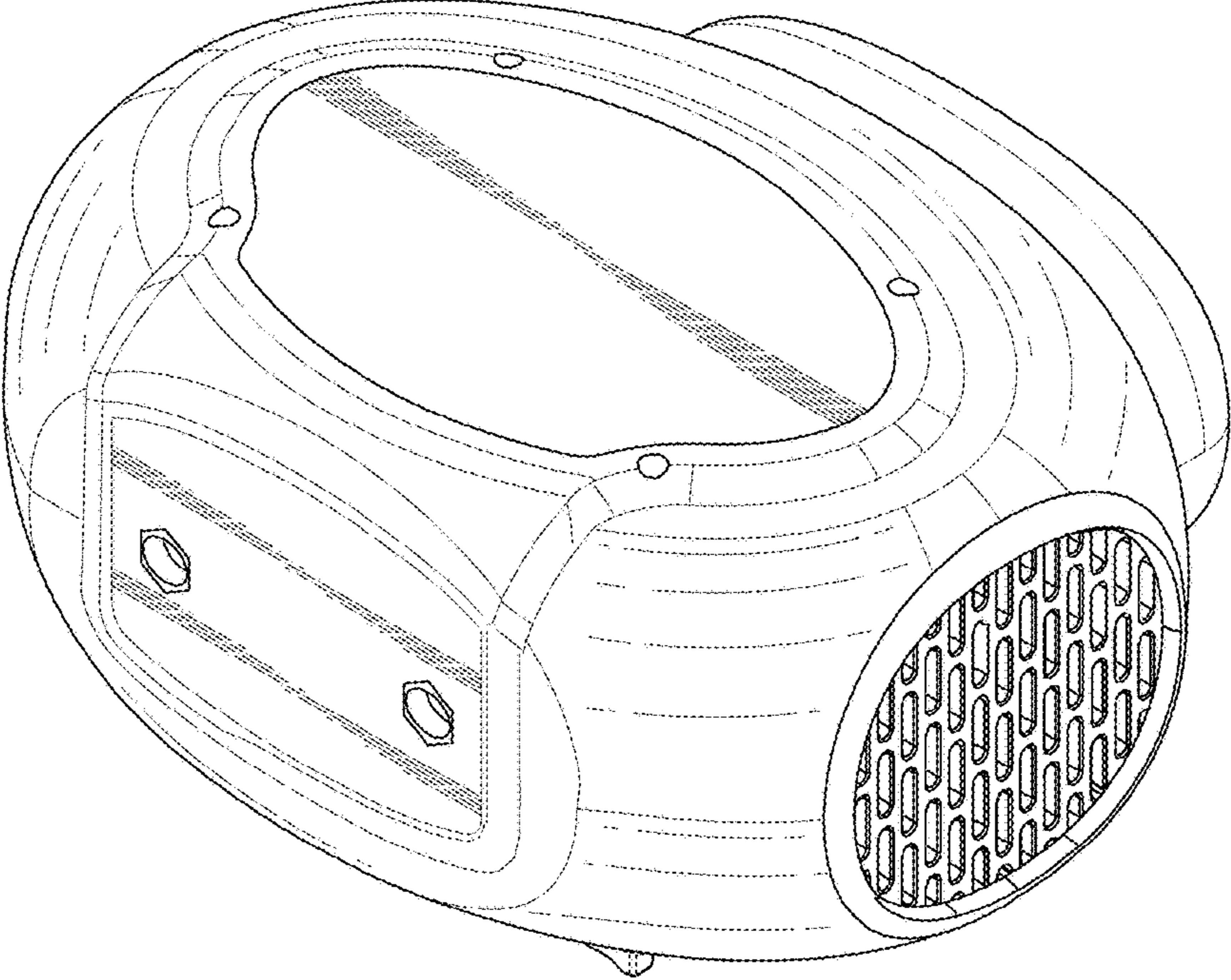


FIG. 7

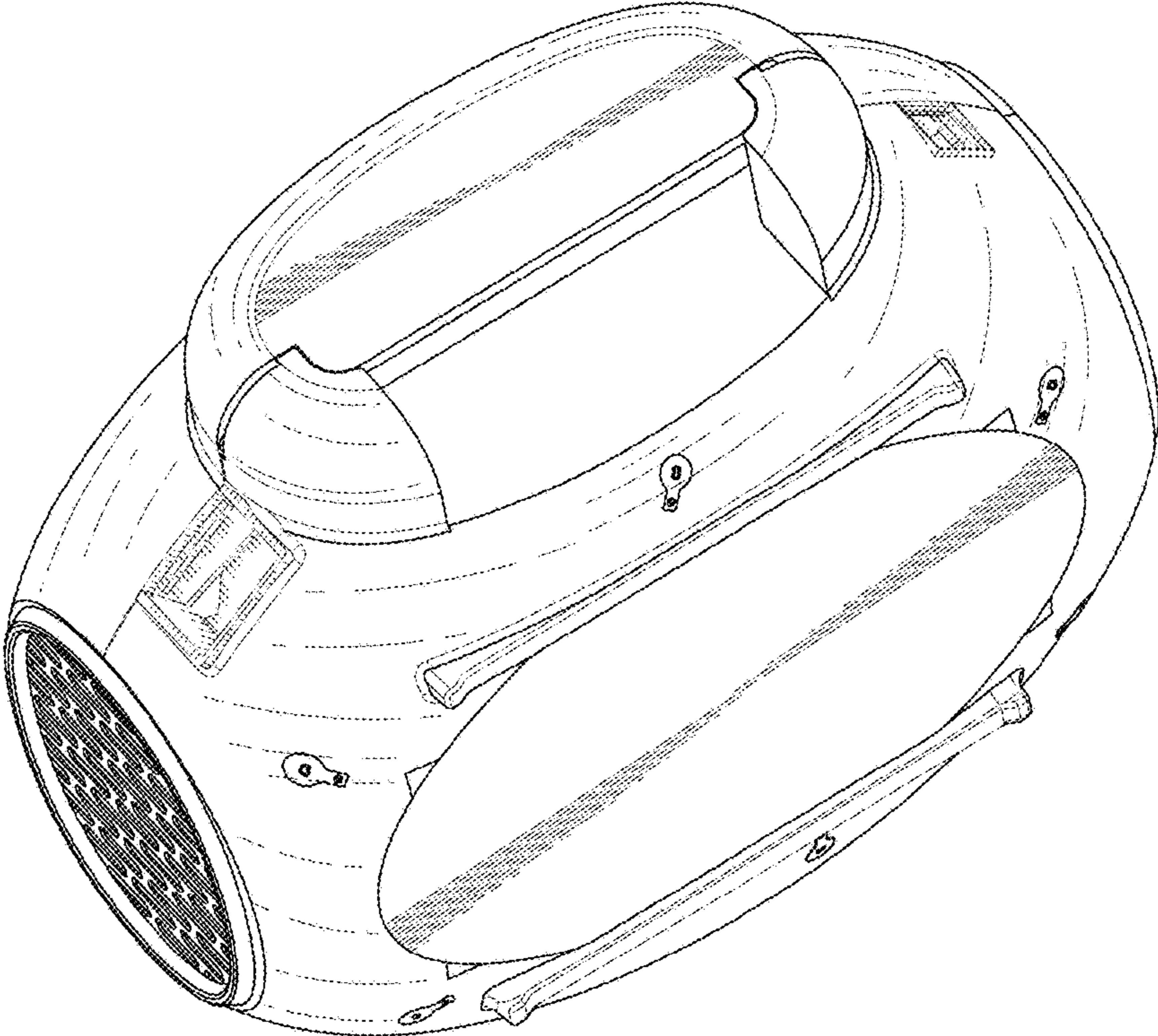


FIG. 8