



US00D865012S

(12) **United States Design Patent** (10) **Patent No.:** **US D865,012 S**
Kawase et al. (45) **Date of Patent:** **** Oct. 29, 2019**

(54) **MITER SAW**

FOREIGN PATENT DOCUMENTS

(71) Applicant: **MAKITA CORPORATION**, Anjo-shi, Aichi (JP)

JP D1440190 S 5/2012

Primary Examiner — Khawaja Anwar

(72) Inventors: **Tomonori Kawase**, Anjo (JP); **Toshiyuki Kani**, Anjo (JP)

(74) *Attorney, Agent, or Firm* — Global IP Counselors, LLP

(73) Assignee: **MAKITA CORPORATION**, Anjo-Shi (JP)

(57) **CLAIM**

(**) Term: **15 Years**

The ornamental design for a miter saw, as shown and described.

(21) Appl. No.: **29/608,745**

(22) Filed: **Jun. 26, 2017**

(30) **Foreign Application Priority Data**

DESCRIPTION

Dec. 27, 2016 (JP) 2016-028177

(51) **LOC (12) Cl.** **15-03**

(52) **U.S. Cl.**
USPC **D15/133**

(58) **Field of Classification Search**

USPC D15/124–134, 138–143, 28, 29, 9, 17; D8/8, 66, 70

CPC B23D 47/025; B23D 59/001; B23D 45/06; B23D 45/068; B23D 45/062; B23D 47/02; B23D 59/006; B23D 45/044; B23D 45/048; B23D 45/065; B23D 47/08; B23D 47/12; B23D 59/00; B23D 45/024; B23D 45/042; B23D 45/066; B23D 45/14; B23D 45/146; B23D 45/16; B23D 47/00; B23D 47/045; B23D 47/10; B23D 47/123; B23D 57/0092; B23D 59/003

See application file for complete search history.

FIG. 1 is a front top perspective view of a miter saw in accordance with our new design;
 FIG. 2 is a rear bottom perspective view of the miter saw in accordance with our new design;
 FIG. 3 is a front elevational view of the miter saw in accordance with our new design;
 FIG. 4 is a rear elevational view of the miter saw in accordance with our new design;
 FIG. 5 is a top plan view of the miter saw in accordance with our new design;
 FIG. 6 is a bottom plan view of the miter saw in accordance with our new design;
 FIG. 7 is a right side elevational view of the miter saw in accordance with our new design; and
 FIG. 8 is a left side elevational view of the miter saw in accordance with our new design; and,
 FIG. 9 is a rear top perspective view of the miter saw in accordance with our new design illustrating a state in which rechargeable batteries are attached to the miter saw.
 The broken line showing of environment structures in the drawings forms no part of the claimed design. The portions within the broken line form no part of the claimed design. The drawings include gray-scale shading which represents contour, not surface ornamentation or any particular color. The blade guard of the miter saw is transparent.

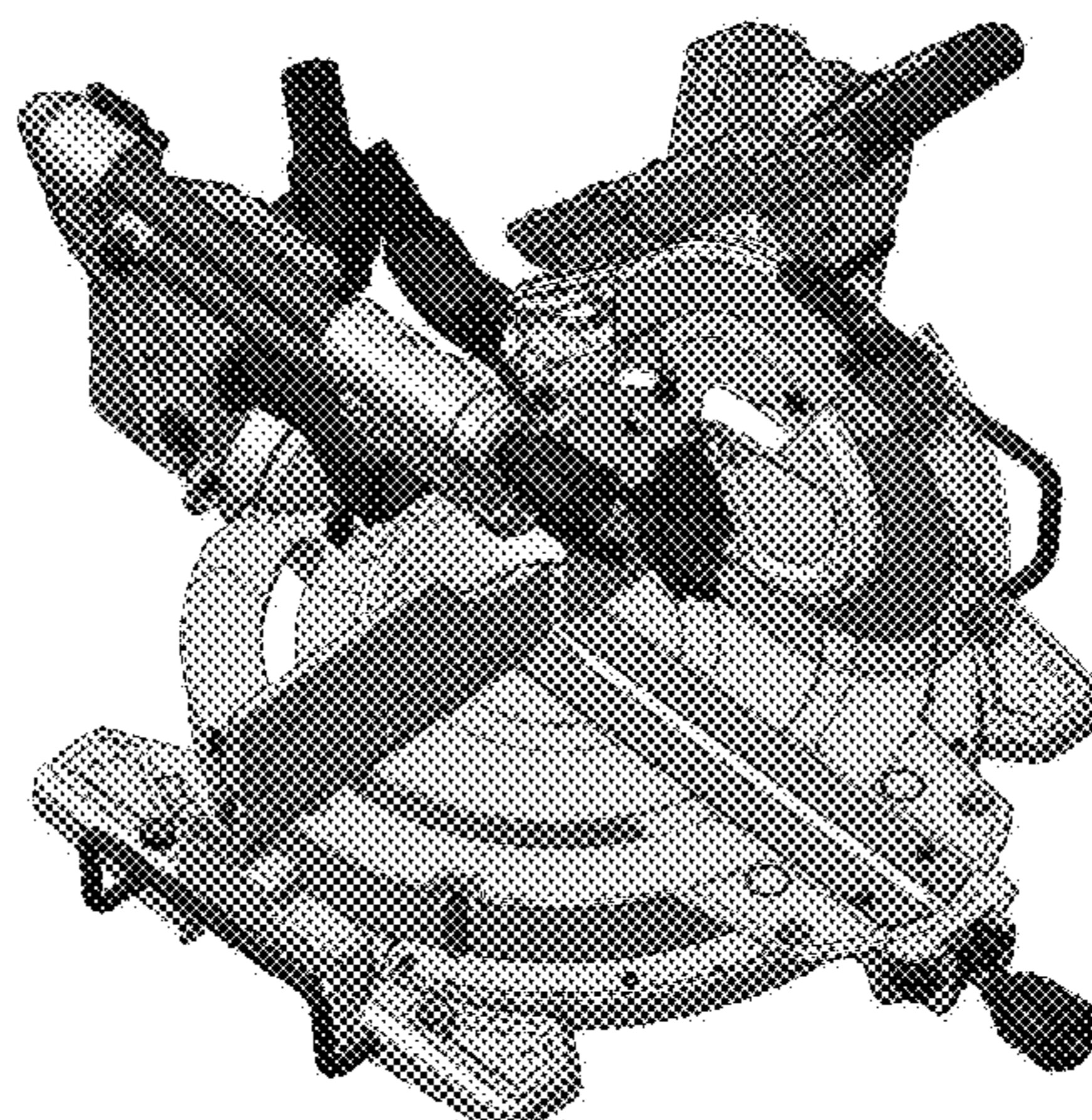
(56) **References Cited**

U.S. PATENT DOCUMENTS

D394,071 S * 5/1998 Ceroll D15/133
 D411,090 S * 6/1999 Chang D15/133
 D425,529 S * 5/2000 Svetlik D15/133

(Continued)

1 Claim, 9 Drawing Sheets



(56)

References Cited

U.S. PATENT DOCUMENTS

D442,190	S	*	5/2001	Chen	D15/133
D445,119	S	*	7/2001	Ceroll	D15/133
D458,947	S	*	6/2002	Svetlik	D15/133
D510,048	S	*	9/2005	Wright	D15/133
D523,038	S	*	6/2006	Wright	D15/133
D527,032	S	*	8/2006	Welsh	D15/133
D545,330	S	*	6/2007	DiPasquale	D15/133
D569,402	S	*	5/2008	DiPasquale	D15/133
D571,829	S	*	6/2008	Welsh	D15/133
D571,830	S	*	6/2008	Wright	D15/133
D574,024	S	*	7/2008	Ceroll	D15/133
D594,484	S	*	6/2009	Leasure	D15/133
D602,053	S	*	10/2009	Heflin	D15/133
D611,070	S	*	3/2010	Firth	D15/133
D626,157	S	*	10/2010	Jebb	D15/133
D626,158	S	*	10/2010	Jebb	D15/133
D663,328	S	*	7/2012	Taylor	D15/133
D704,235	S	*	5/2014	Liu	B23D 45/048
						D15/133
D715,337	S	*	10/2014	Scherl	D15/133
D719,469	S	*	12/2014	Lane	D10/65
D761,337	S	*	7/2016	Eiswerth	D15/133

* cited by examiner

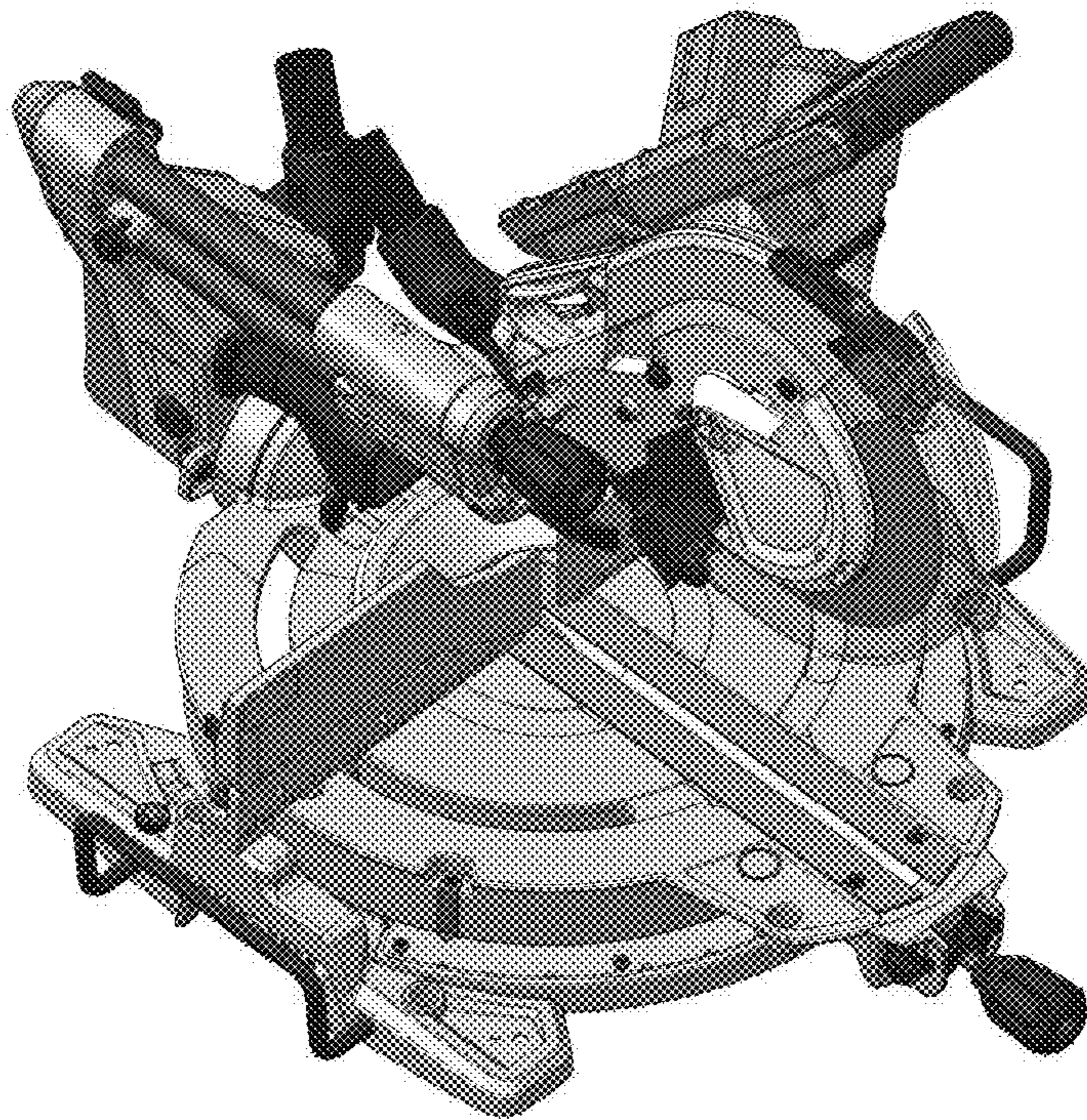


FIG. 1

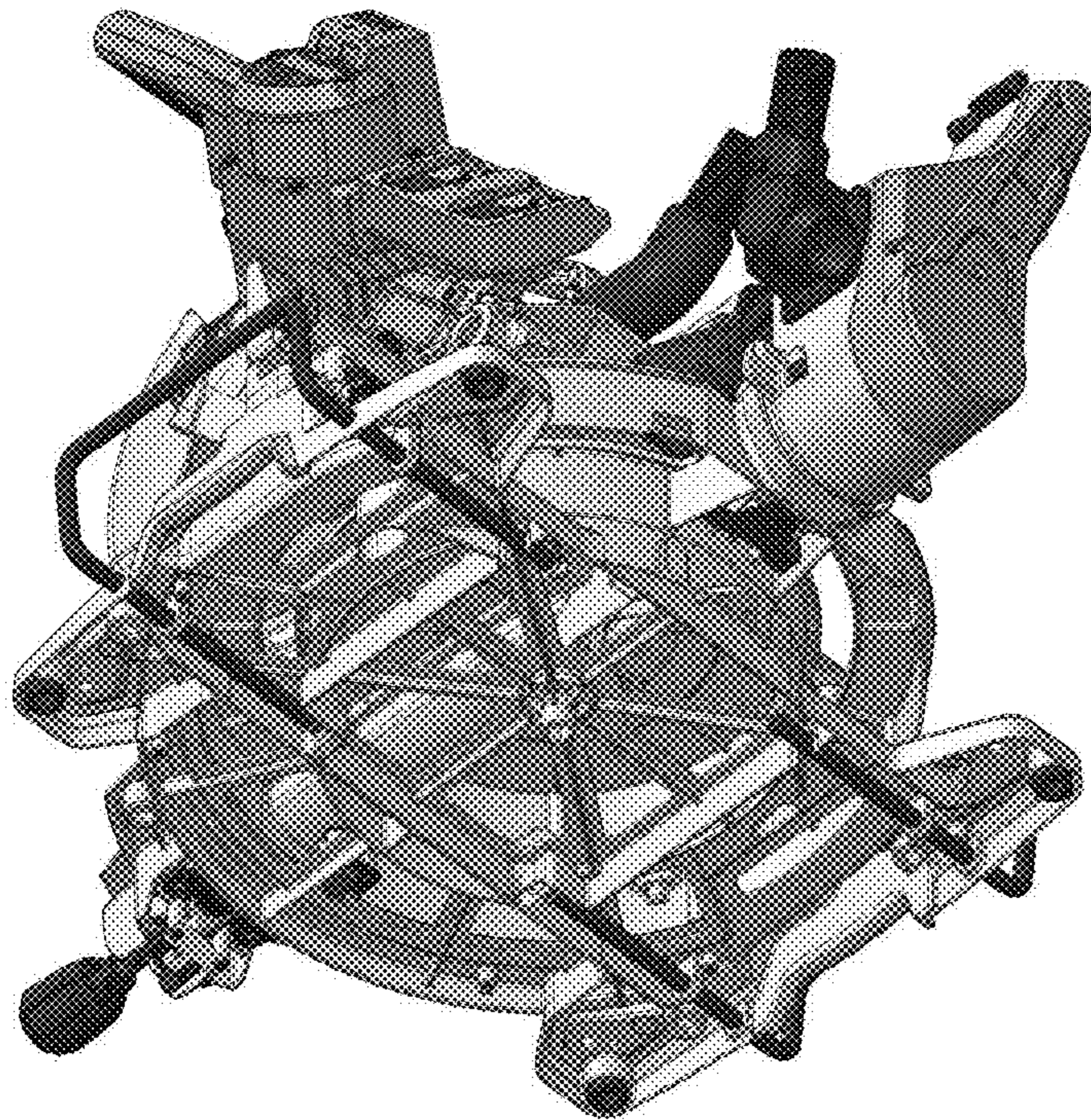


FIG. 2

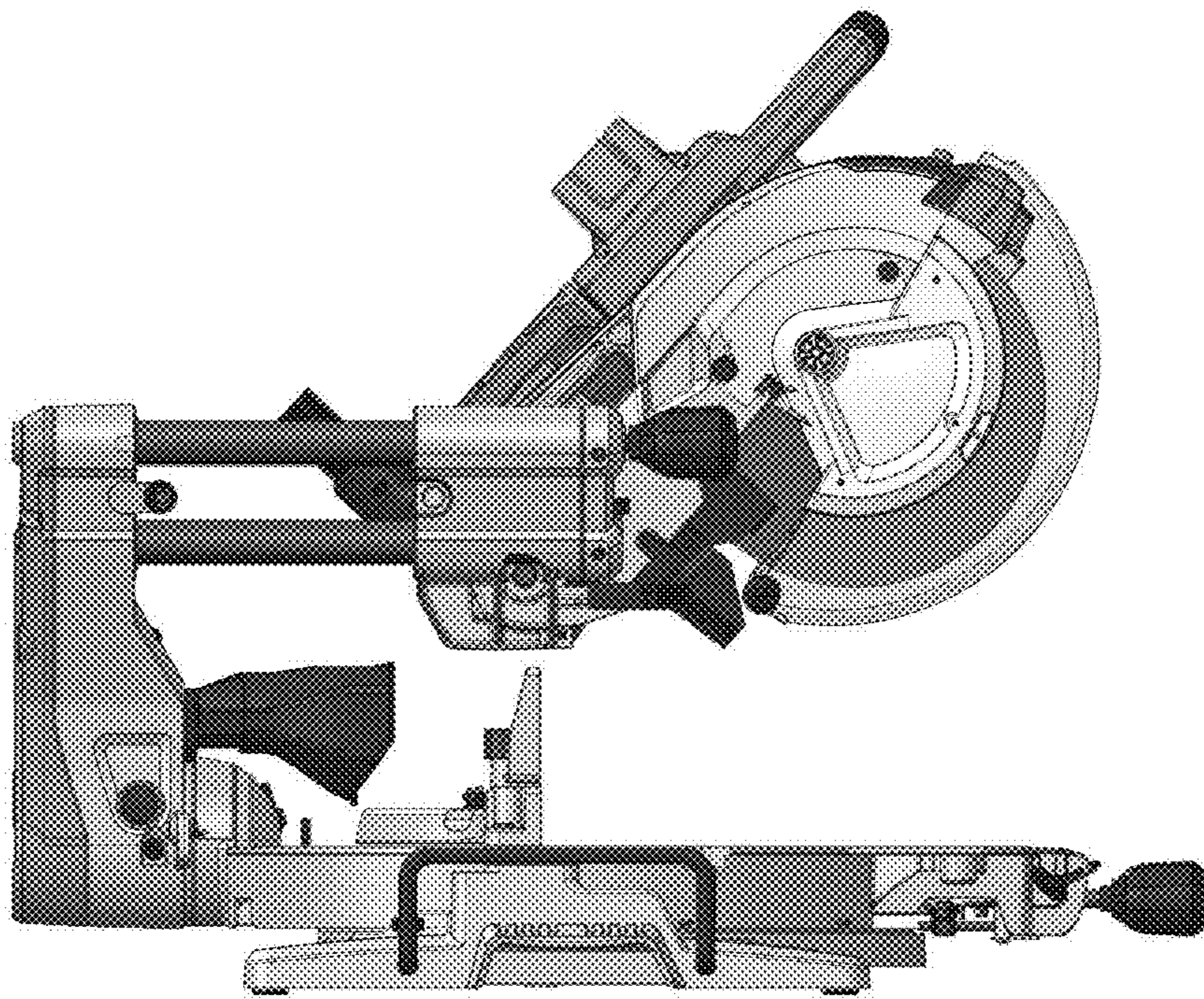


FIG. 3

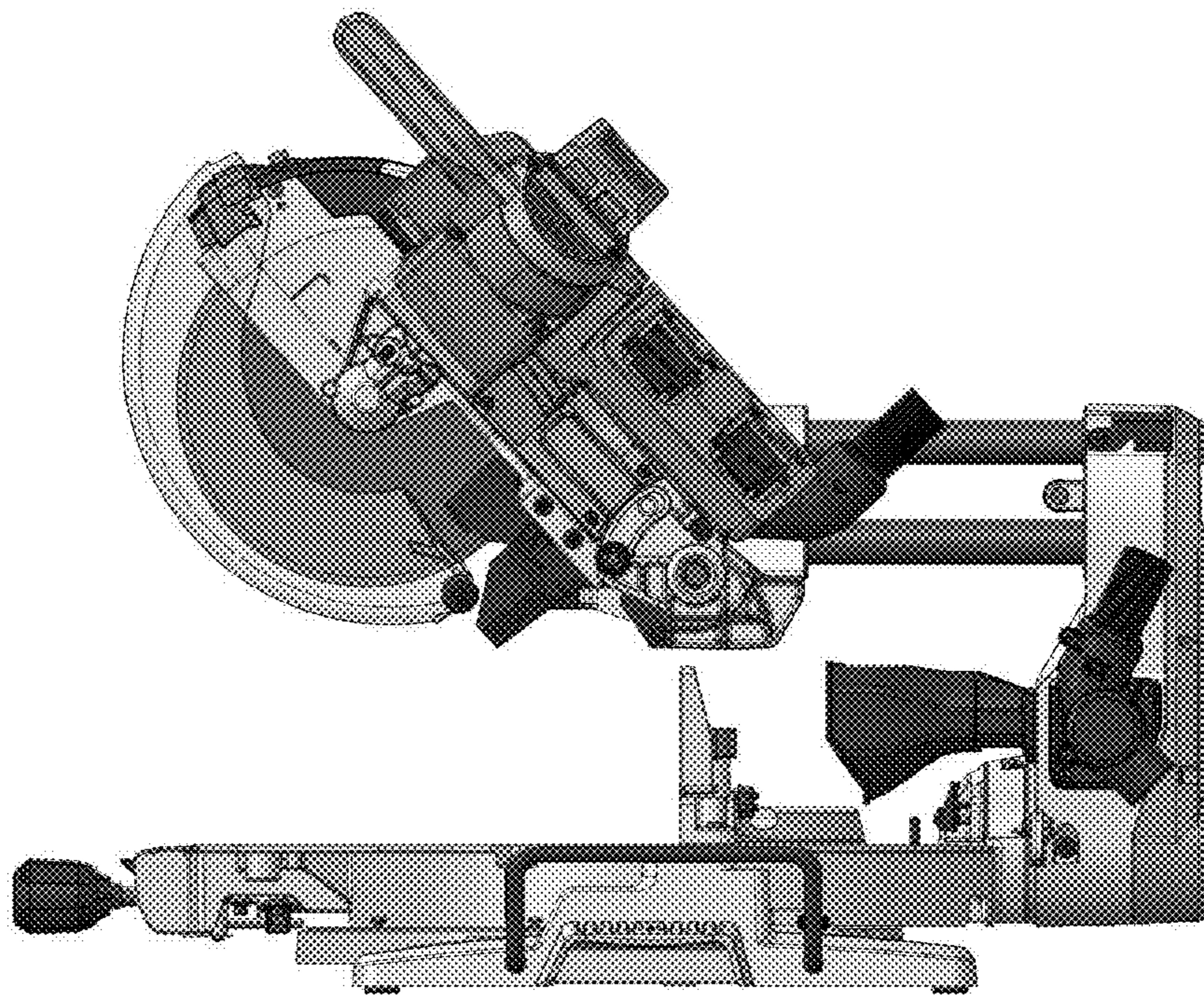


FIG. 4

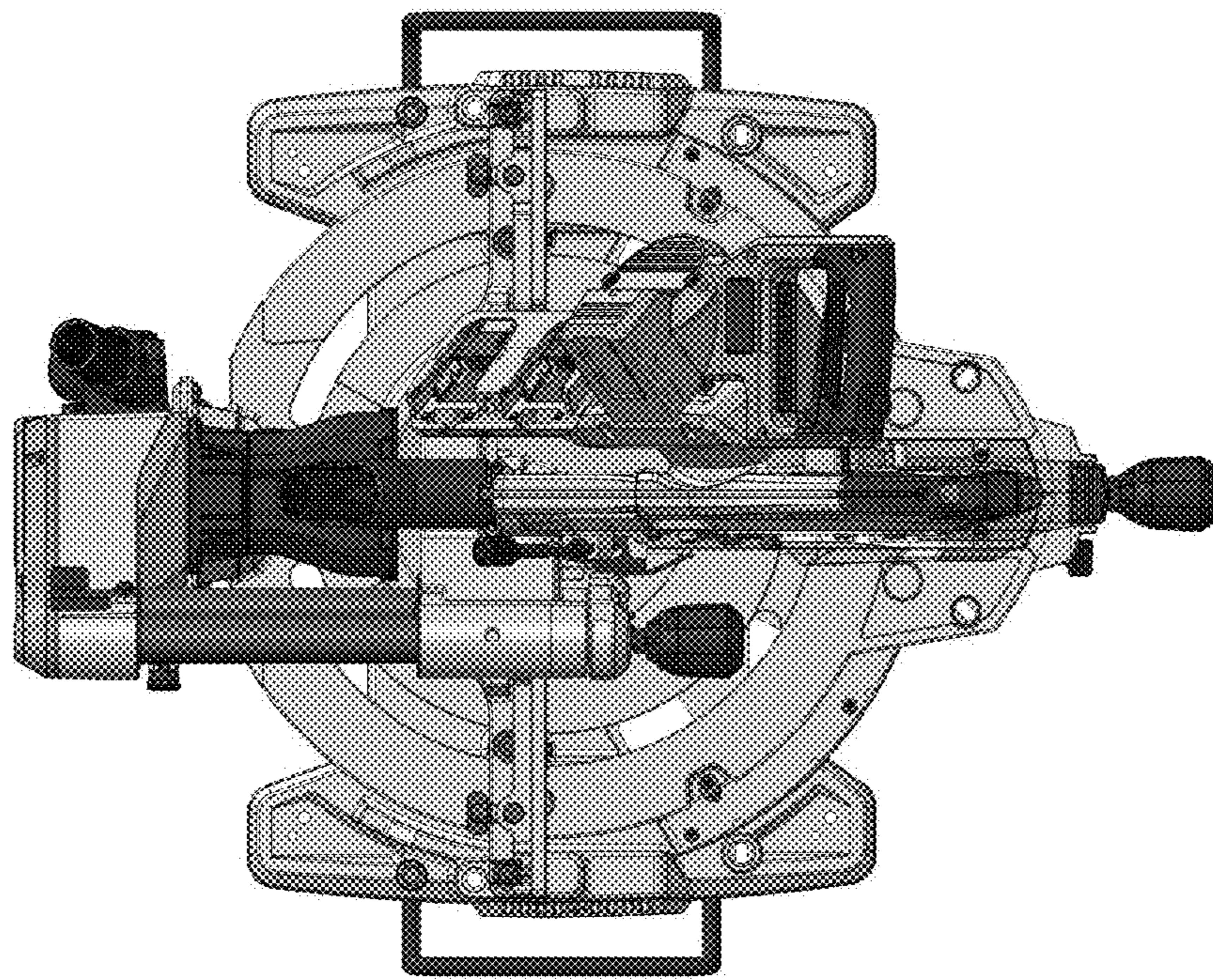


FIG. 5

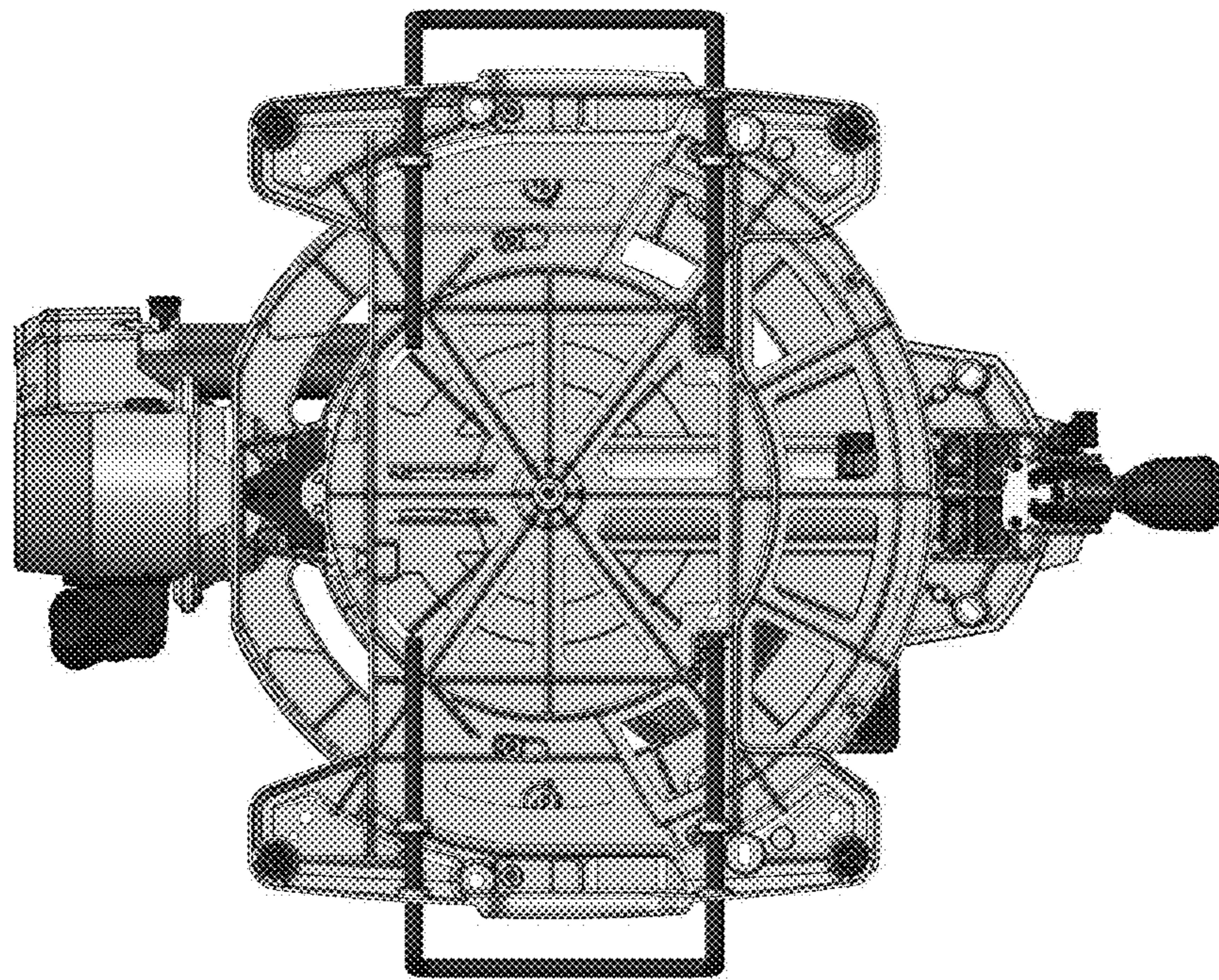


FIG. 6

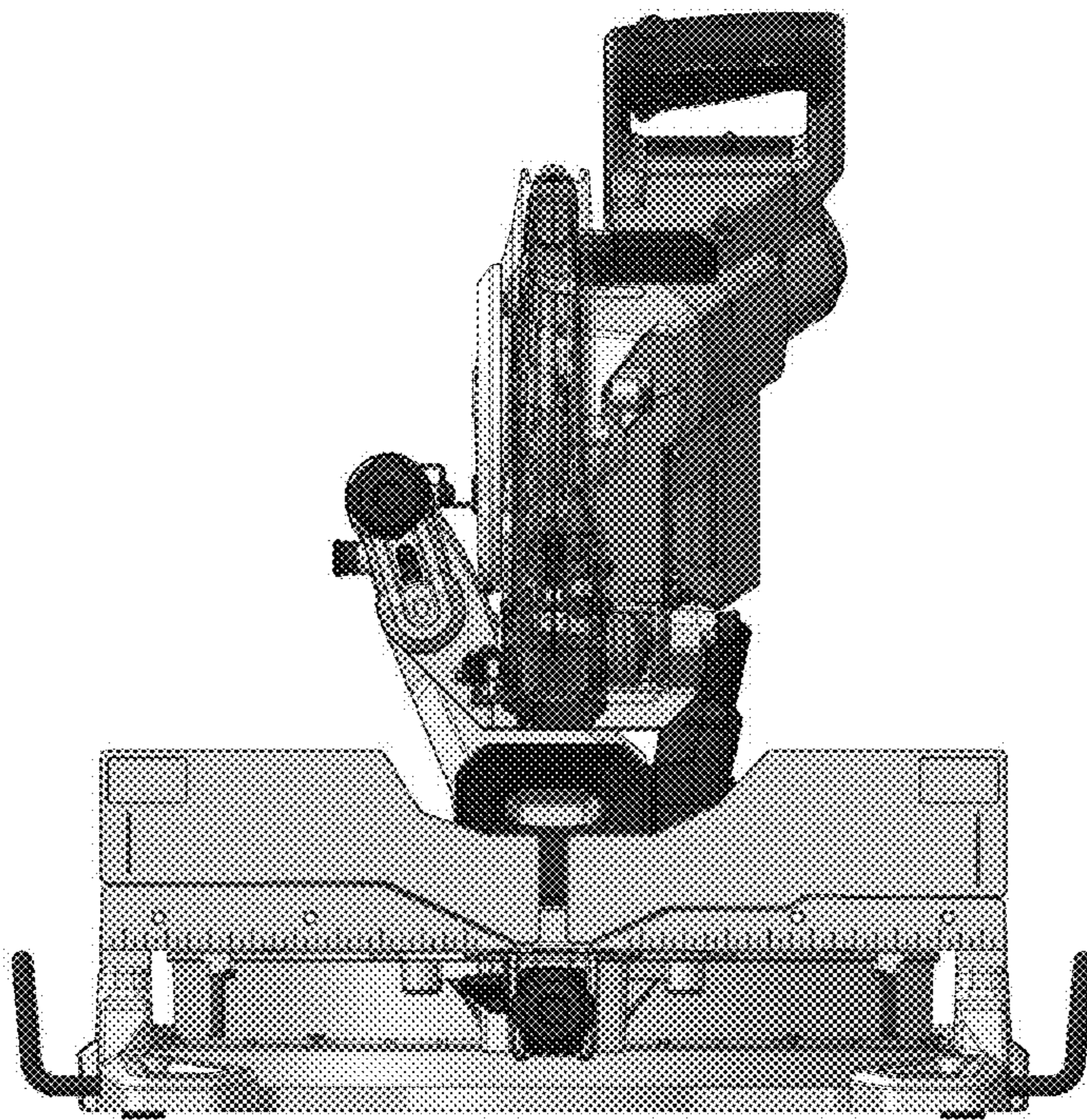


FIG. 7

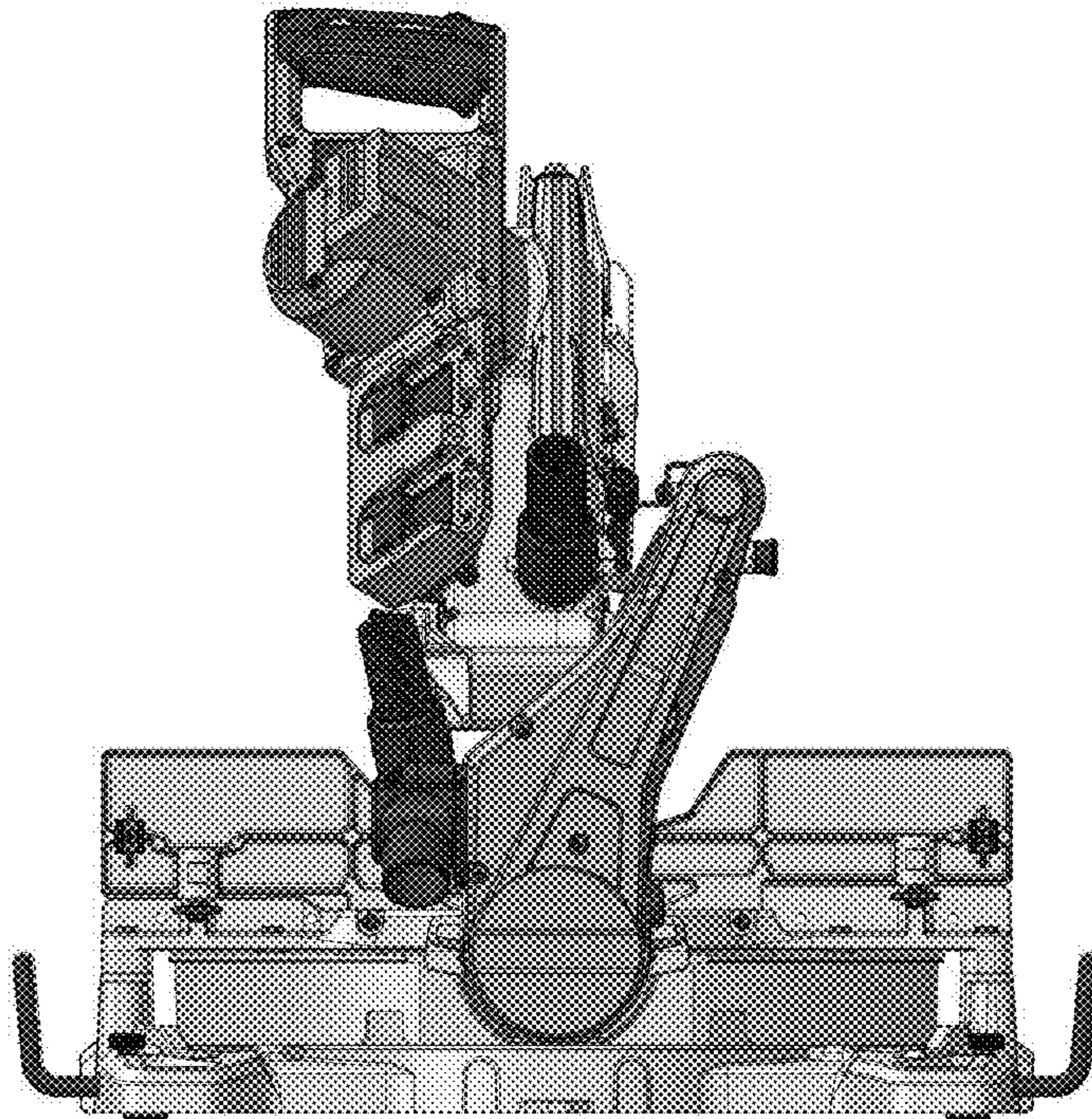


FIG. 8

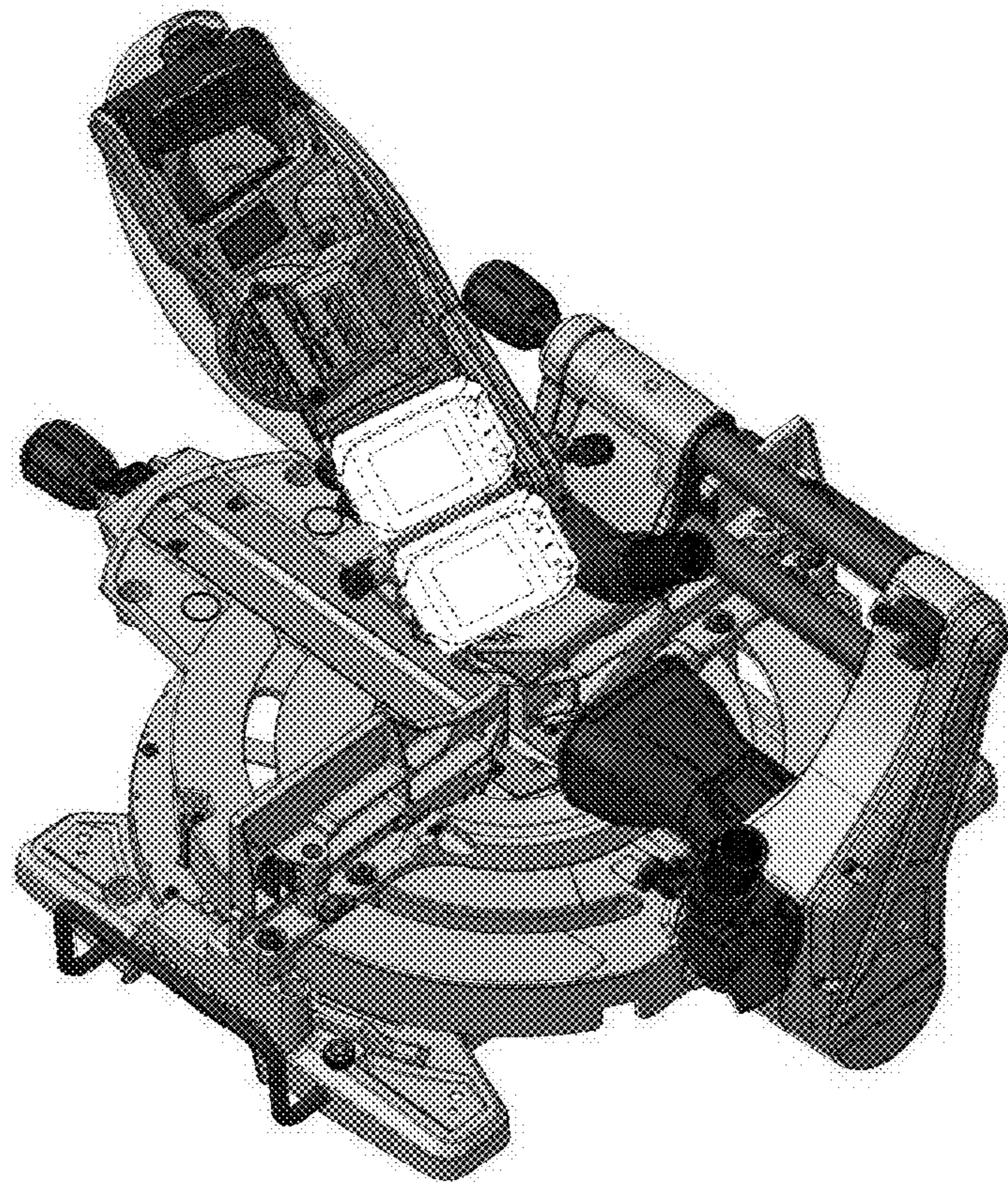


FIG. 9